



US00D790725S

(12) **United States Design Patent**
Orcutt

(10) **Patent No.:** **US D790,725 S**

(45) **Date of Patent:** **** Jun. 27, 2017**

(54) **CLAW SUPPORT FOR CHROMATOGRAPHIC EQUIPMENT**

(71) Applicant: **Matthew Orcutt**, Fort Wayne, IN (US)

(72) Inventor: **Matthew Orcutt**, Fort Wayne, IN (US)

(**) Term: **15 Years**

(21) Appl. No.: **29/563,209**

(22) Filed: **May 3, 2016**

(51) **LOC (10) Cl.** **24-01**

(52) **U.S. Cl.**
USPC **D24/216**

(58) **Field of Classification Search**
USPC D24/216, 107, 186, 223, 231, 232, 233;
D10/46, 81; D8/66, 72, 79, 349, 354,
D8/363, 373; 73/23.25
CPC G01N 31/22; G01N 33/525; G01N
33/54366; G01N 33/84; B01L 2400/0406;
B01L 2300/0816; B01J 19/0046; C40B
60/14
See application file for complete search history.

(56) **References Cited**

U.S. PATENT DOCUMENTS

D271,085 S * 10/1983 Wohlers D10/46
4,944,781 A * 7/1990 Ruggirello G01N 30/24
73/23.41

D530,235 S * 10/2006 Shimizu D10/81
D561,054 S * 2/2008 Ogura D10/81
D737,458 S * 8/2015 Balaguru D24/216
D737,991 S * 9/2015 Balaguru D24/216
D751,727 S * 3/2016 Orcutt D24/230
2014/0065036 A1* 3/2014 Orcutt G01N 30/24
422/552

* cited by examiner

Primary Examiner — Wan Laymon
Assistant Examiner — Mark Booker

(57) **CLAIM**

I claim the ornamental design for a claw support for chromatographic equipment, as shown and described.

DESCRIPTION

FIG. 1 is a perspective view of a claw support showing my new design.

FIG. 2 is a side view thereof;

FIG. 3 is a further side view thereof;

FIG. 4 is a front view thereof;

FIG. 5 is a rear view thereof;

FIG. 6 is a bottom view thereof; and,

FIG. 7 is a top view thereof.

The broken lines are included for illustrating unclaimed portions of the claw support for chromatographic equipment and form no part of the claimed design.

1 Claim, 4 Drawing Sheets

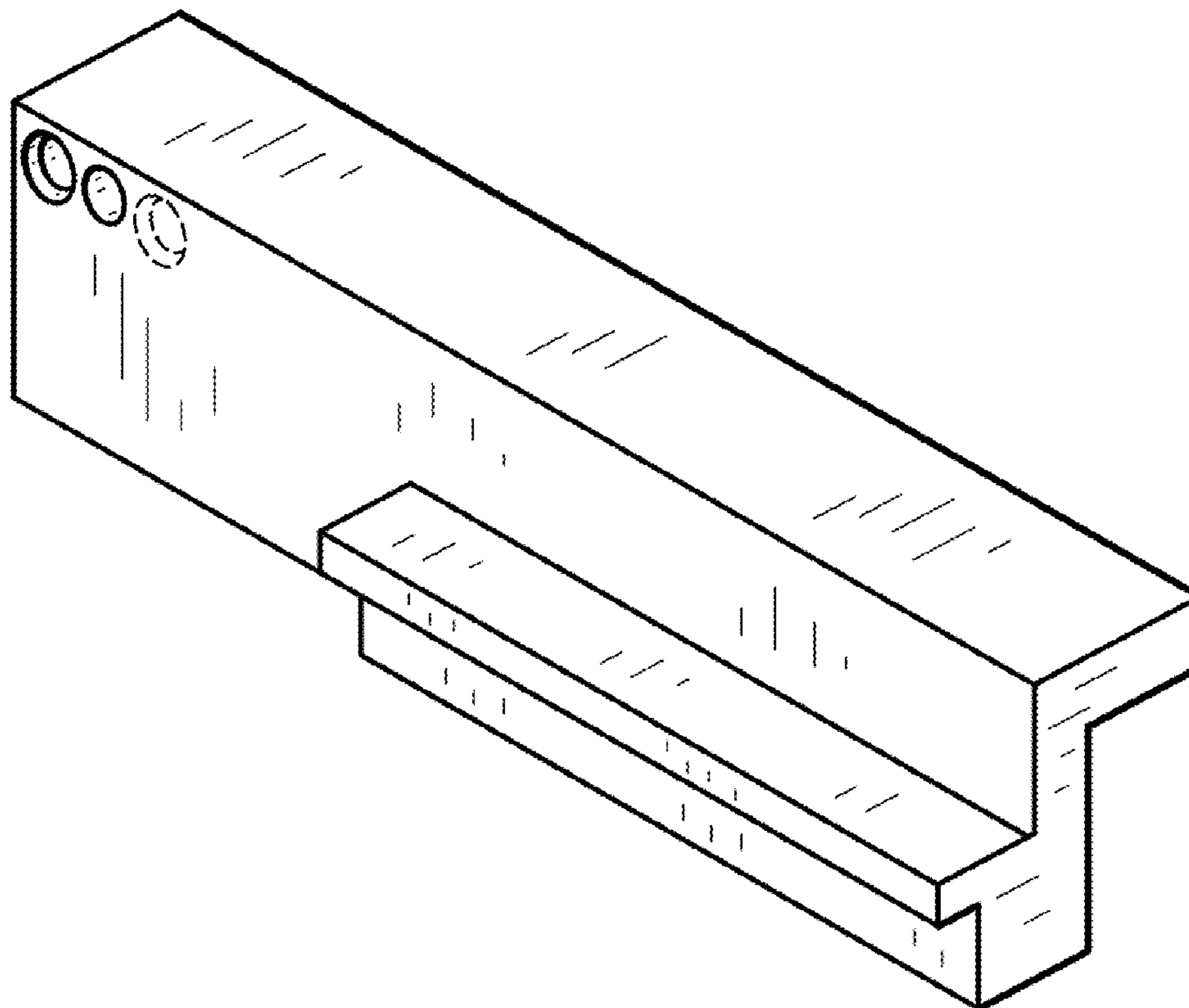


FIG. 1

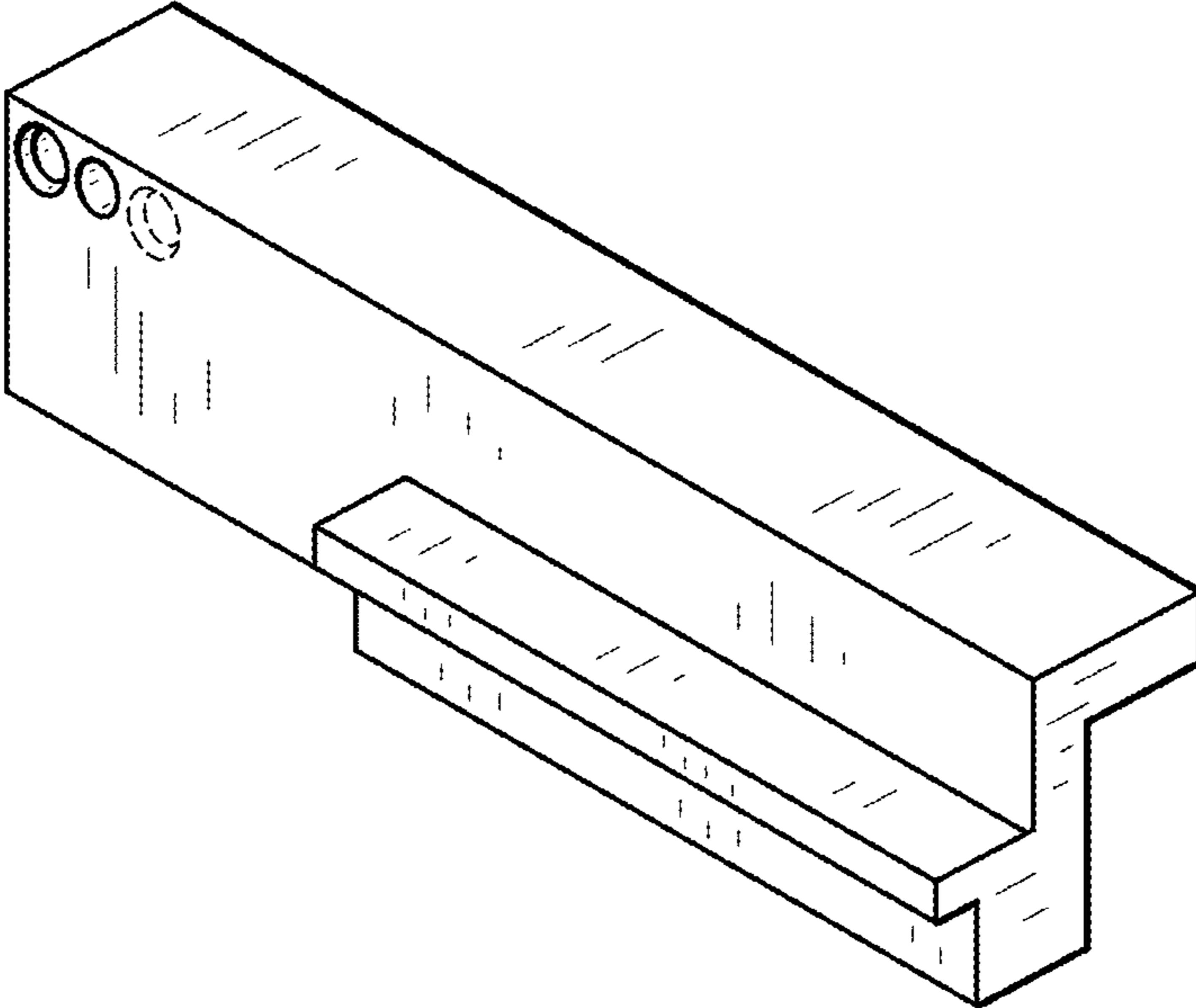


FIG. 2

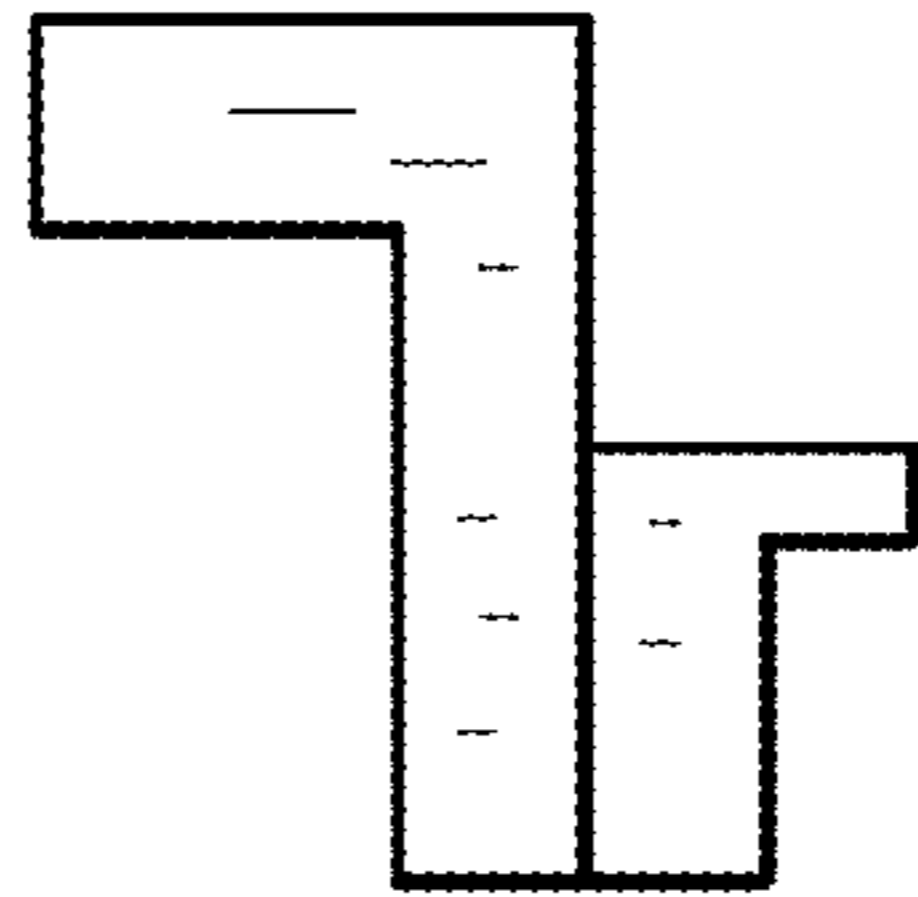


FIG. 3

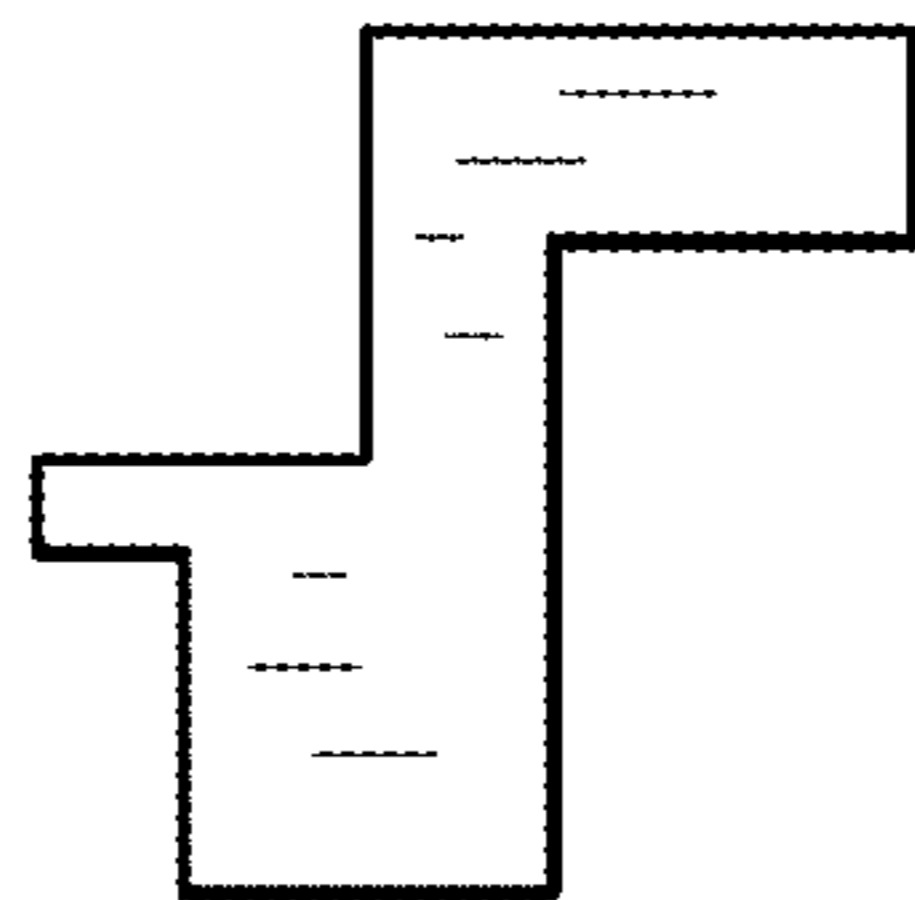


FIG. 4

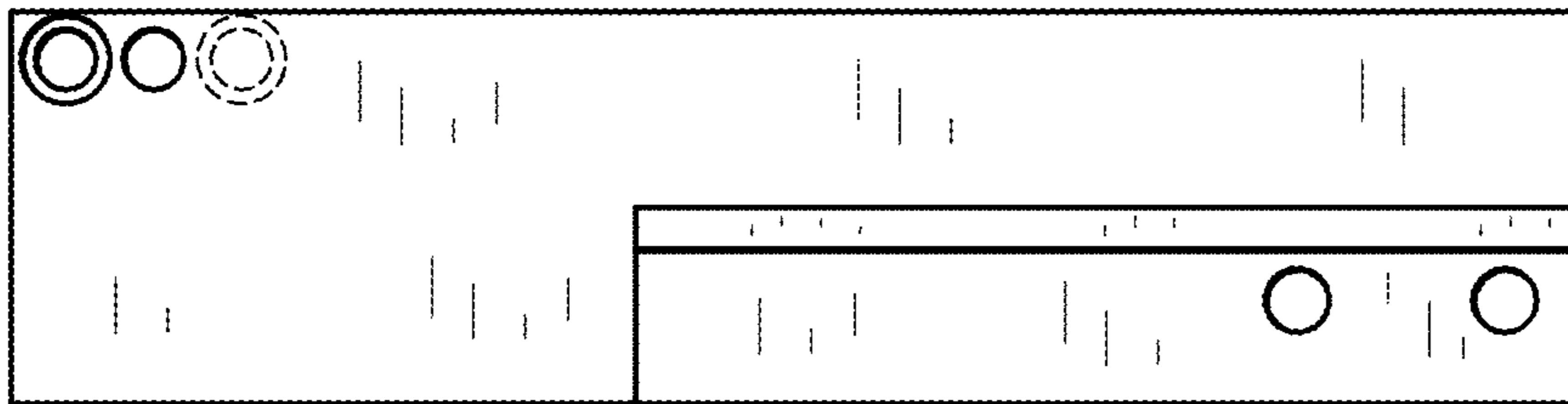


FIG. 5

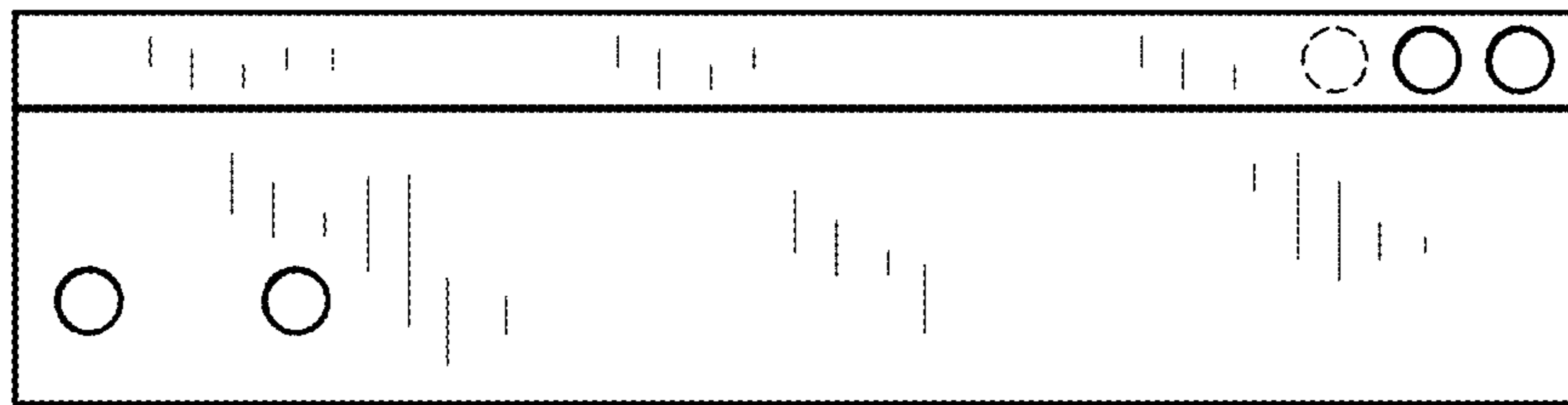


FIG. 6

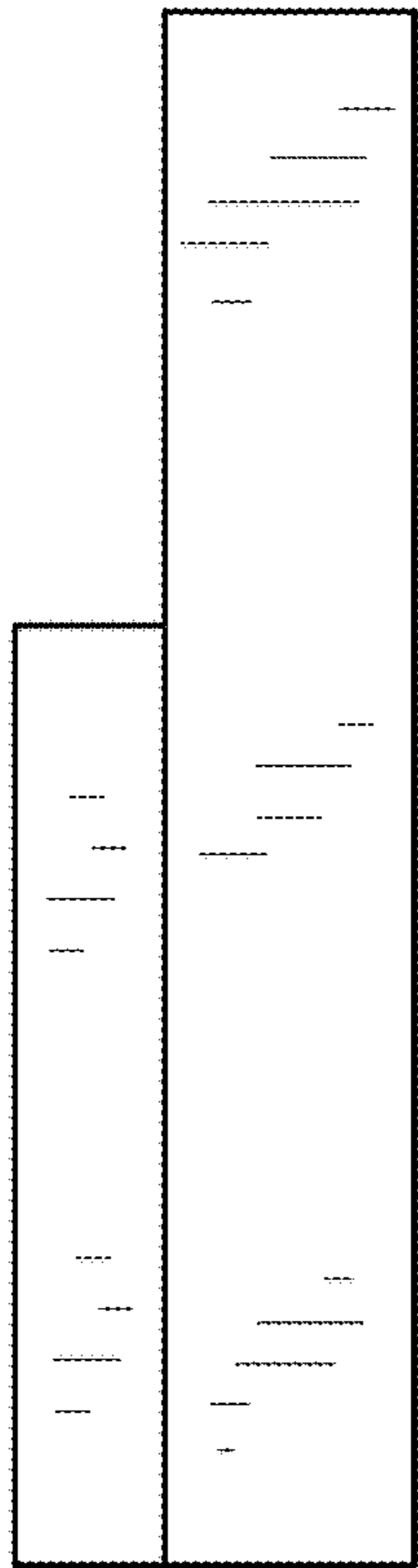


FIG. 7

