



US00D790724S

(12) **United States Design Patent** (10) **Patent No.:** **US D790,724 S**  
**Black** (45) **Date of Patent:** **\*\* Jun. 27, 2017**

(54) **FASCIA TISSUE FITNESS DEVICE WITH TWO TREATMENT ELEMENTS**

(71) Applicant: **Ashley Diana Black International Holdings, LLC**, Pearland, TX (US)

(72) Inventor: **Ashley D. Black**, Pearland, TX (US)

(73) Assignee: **Ashley Diana Black International Holdings, LLC**, Pearland, TX (US)

(\*\*) Term: **15 Years**

(21) Appl. No.: **29/581,841**

(22) Filed: **Oct. 21, 2016**

(51) **LOC (10) Cl.** ..... **28-03**

(52) **U.S. Cl.**  
USPC ..... **D24/214; D21/662**

(58) **Field of Classification Search**  
USPC ..... D24/200, 211, 212, 213, 214, 215;  
601/19, 27-32, 46, 48, 52, DIG. 12,  
601/DIG. 14, DIG. 15, DIG. 16, DIG. 17,  
601/38, 112, 118-121, 125; D30/160;  
D21/662  
CPC ..... A61H 19/30; A61H 19/32; A61H 19/34;  
A61H 19/40; A61H 19/44; A61H 19/50;  
A61H 19/00; A61H 2201/0153; A61H  
2201/1253; A61H 2205/082; A61H  
2205/085; A61H 2205/022-2205/025;  
A61H 15/0085; A61H 15/0092; A61H  
15/00; A61H 13/00  
See application file for complete search history.

(56) **References Cited**

**U.S. PATENT DOCUMENTS**

912,016 A	2/1909	Miller
965,564 A	7/1910	Coates
D346,866 S	5/1994	Lotuaco
D350,608 S	9/1994	Yu
D359,358 S	6/1995	Pecora et al.

D373,197 S	8/1996	Schepper
D374,084 S	9/1996	Chen
D390,966 S	2/1998	Huang
5,728,050 A	3/1998	Lin
D398,401 S	9/1998	Antoskow
D403,429 S	12/1998	Blanchard
D404,495 S	1/1999	Chien
D408,925 S	4/1999	Berry et al.
D422,084 S	3/2000	Mickelson

(Continued)

**OTHER PUBLICATIONS**

International Search Report of PCT/US2014/018043, mailed Jun. 5, 2014, 4 pps.

*Primary Examiner* — Sandra Snapp

(74) *Attorney, Agent, or Firm* — Dentons US LLP

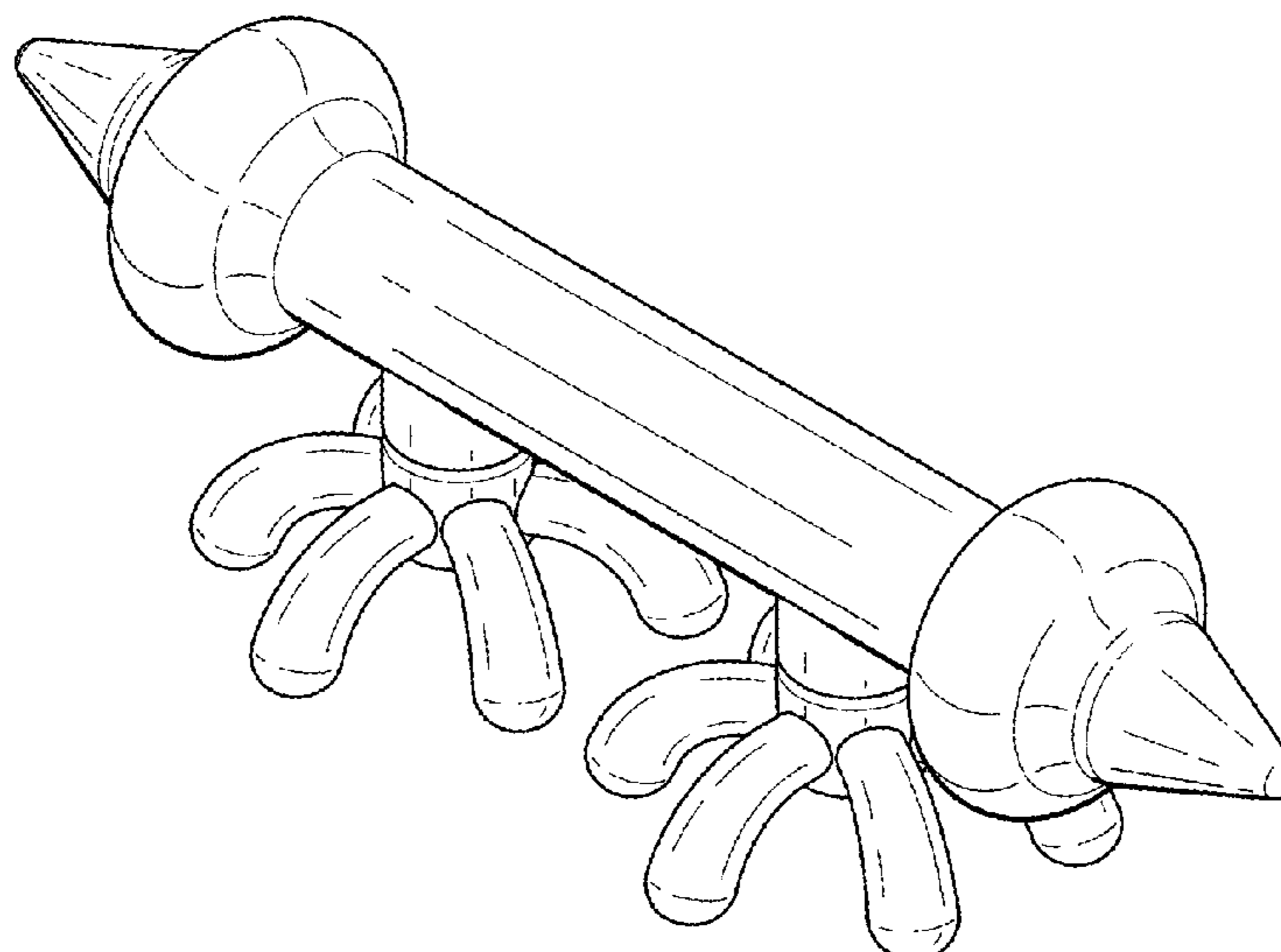
(57) **CLAIM**

The ornamental design for a fascia tissue fitness device with two treatment elements, as shown and described.

**DESCRIPTION**

FIG. 1 is an illustration of a top perspective view of the fascia tissue fitness device with two treatment elements; FIG. 2 is an illustration of a left-end view of the fascia tissue fitness device with two treatment elements; FIG. 3 is an illustration of a right-end view of the fascia tissue fitness device with two treatment elements; FIG. 4 is an illustration of a left-side view of the fascia tissue fitness device with two treatment elements; FIG. 5 is an illustration of a right-side view of the fascia tissue fitness device with two treatment elements; FIG. 6 is an illustration of a top view of the fascia tissue fitness device with two treatment elements; FIG. 7 is an illustration of a bottom view of the fascia tissue fitness device with two treatment elements; and, FIG. 8 is an illustration of a bottom perspective view of the fascia tissue fitness device with two treatment elements.

**1 Claim, 4 Drawing Sheets**



(56)

References Cited

U.S. PATENT DOCUMENTS

D427,318	S	6/2000	Chen	
6,123,600	A *	9/2000	Yuen .....	A63H 11/10 446/272
6,241,693	B1	6/2001	Lambden	
6,267,738	B1	7/2001	Louis	
D468,084	S	1/2003	Lin	
D473,657	S	4/2003	Lewis-Jonsson	
D486,236	S	2/2004	Nan	
6,758,826	B2	7/2004	Luetngen et al.	
6,974,427	B1	12/2005	Lapham	
D515,702	S	2/2006	Nan	
D556,913	S	12/2007	Laituri	
D627,897	S	11/2010	Yde et al.	
D633,217	S	2/2011	Robertson et al.	
D633,626	S *	3/2011	Zwezdaryk .....	D24/211
8,337,438	B2	12/2012	Schupman	
8,419,663	B2	4/2013	Eitzen	
D704,852	S	5/2014	Yang	
D735,818	S	8/2015	Black	
D738,519	S *	9/2015	Phillips .....	D24/211
D744,661	S *	12/2015	Rizzi .....	D24/189
D750,841	S *	3/2016	Lewis .....	D24/211
D766,824	S *	9/2016	Li .....	D13/110
D777,939	S *	1/2017	Black .....	D21/662
2005/0096572	A1	5/2005	Hua	
2007/0173750	A1	7/2007	Hudock	
2010/0160841	A1	6/2010	Wu	
2010/0191161	A1	7/2010	Mouatt	
2011/0087140	A1	4/2011	Lee	
2011/0154690	A1	6/2011	Walsh	
2012/0121313	A1	5/2012	Thiebaut	
2014/0243718	A1	8/2014	Black	

\* cited by examiner

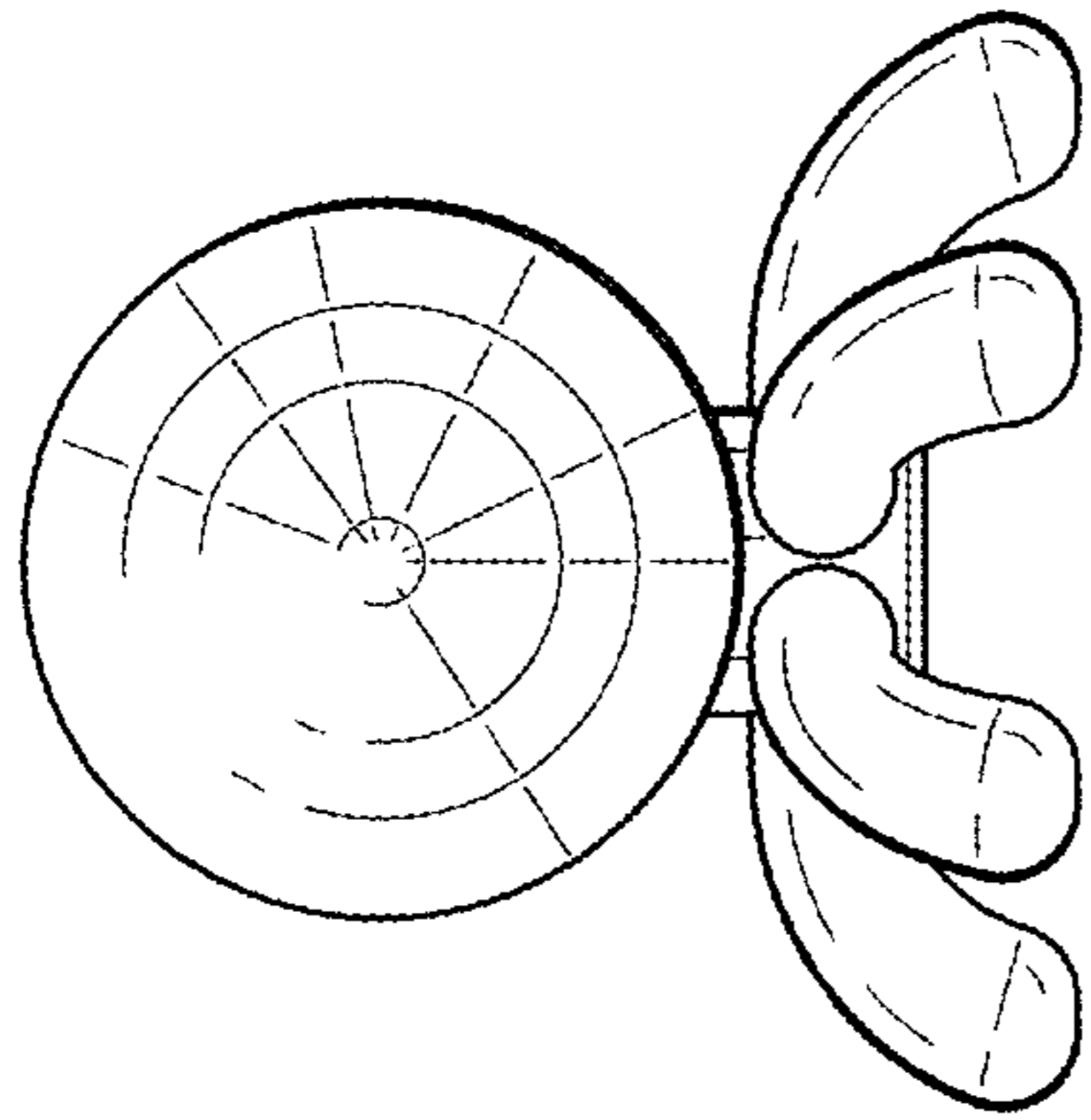


FIG. 2

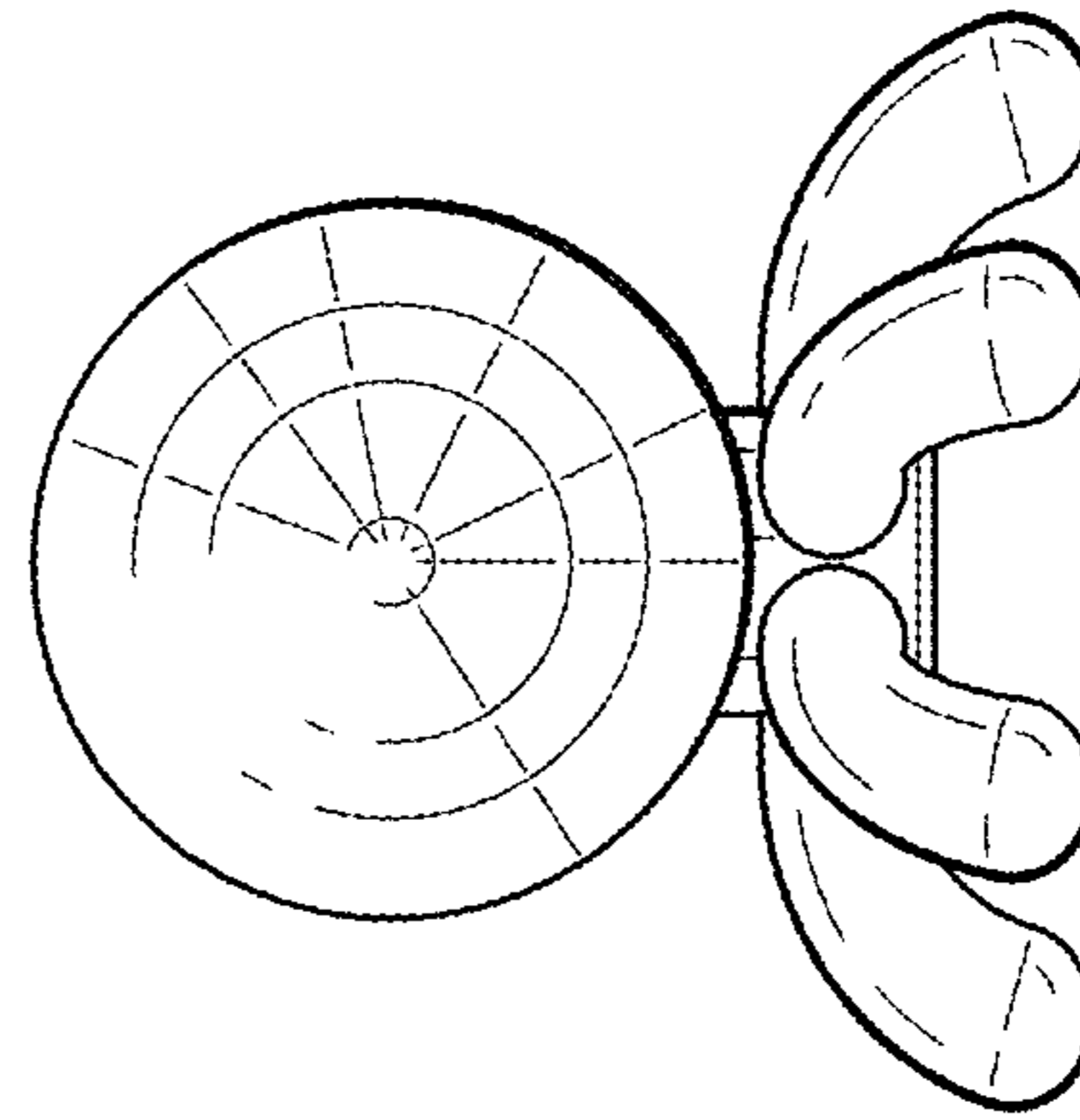


FIG. 3

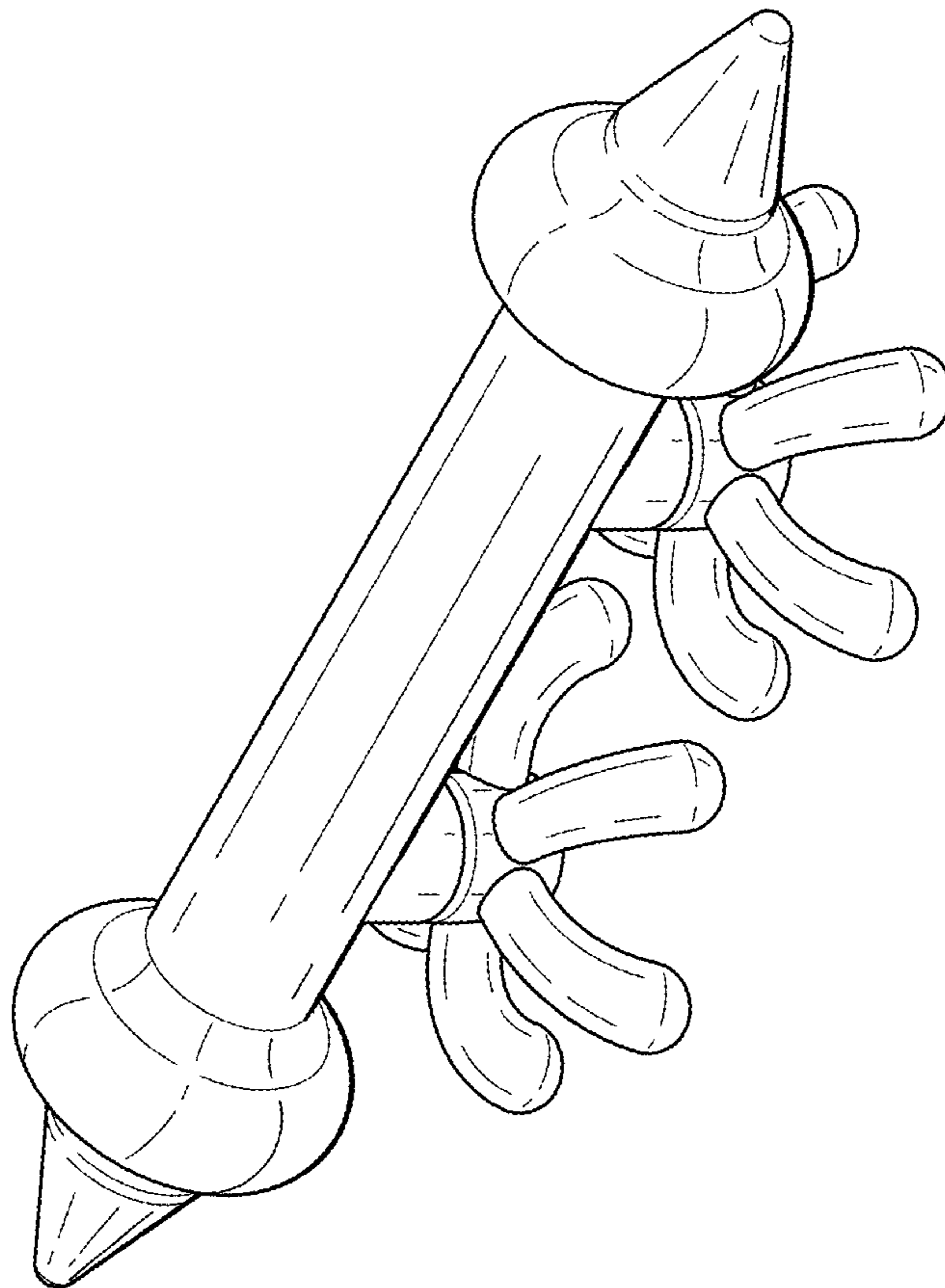


FIG. 1

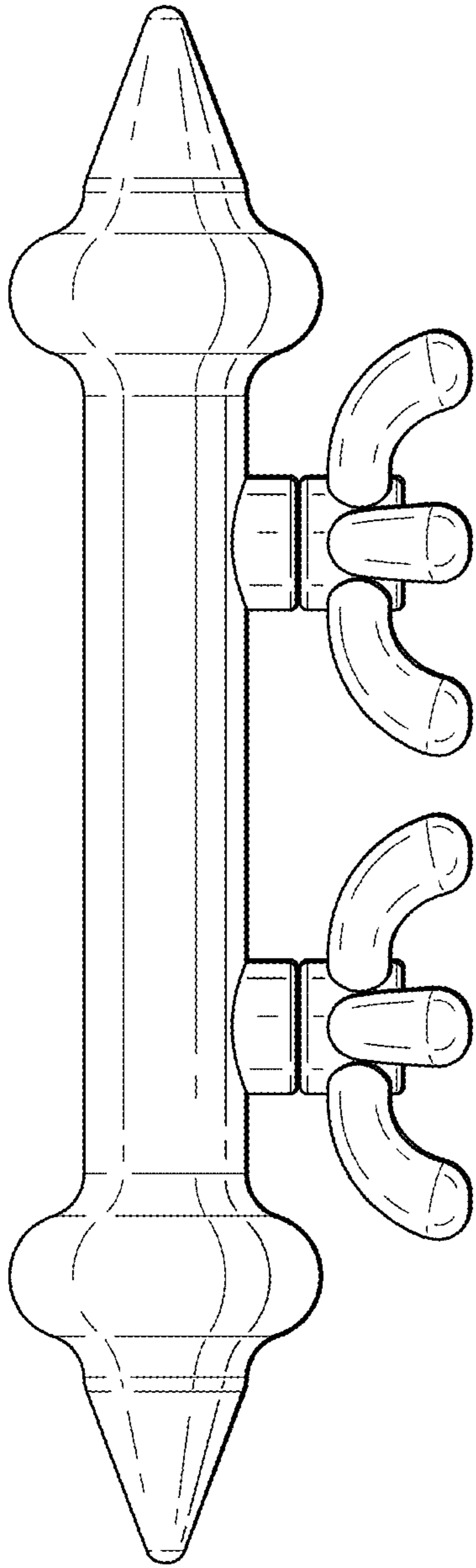


FIG. 4

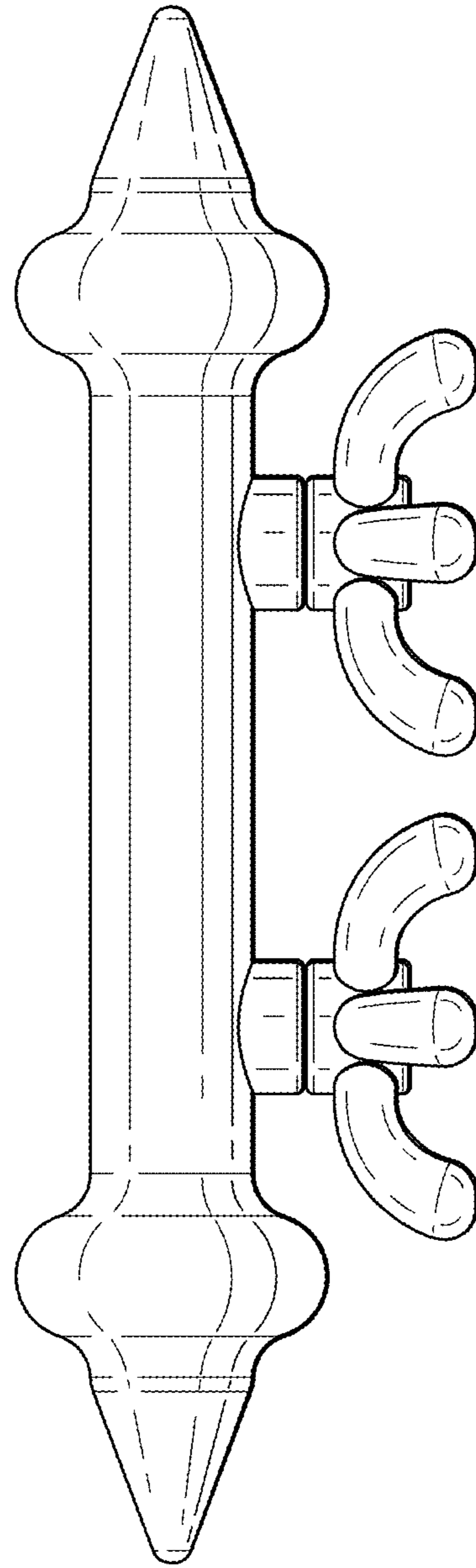


FIG. 5

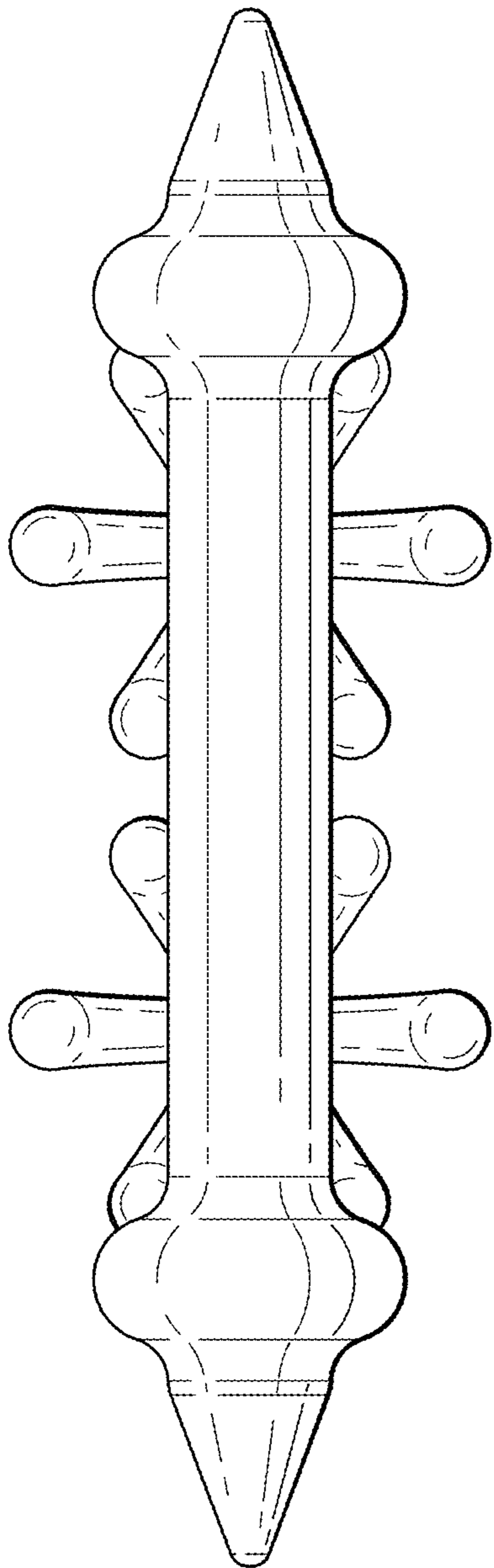


FIG. 6

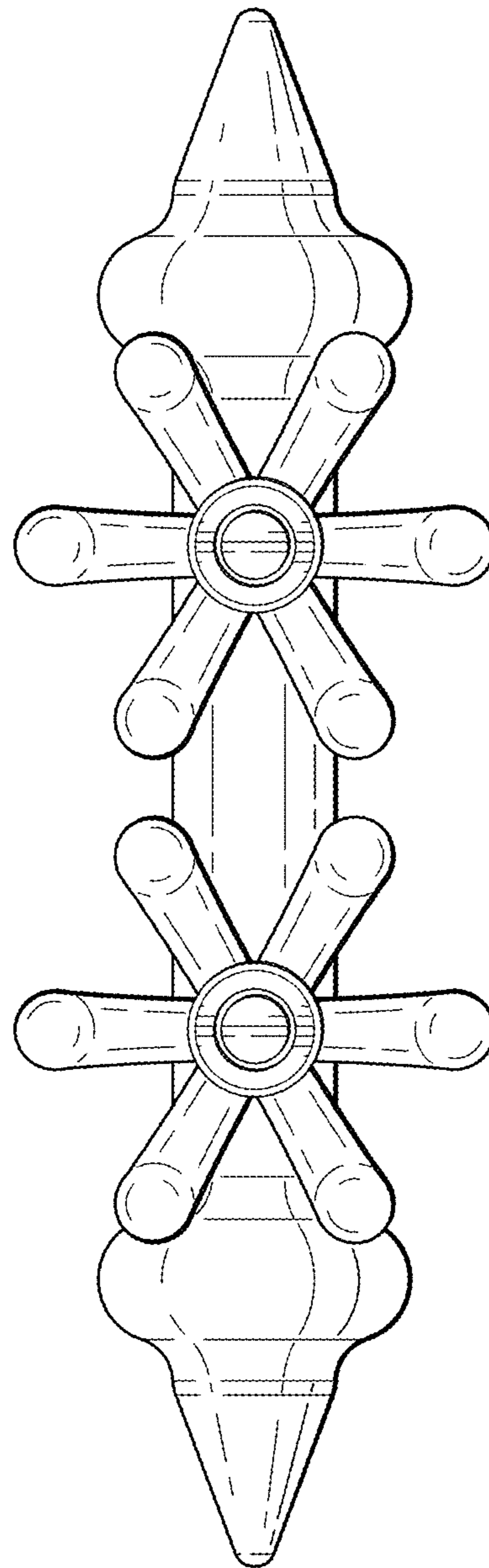


FIG. 7

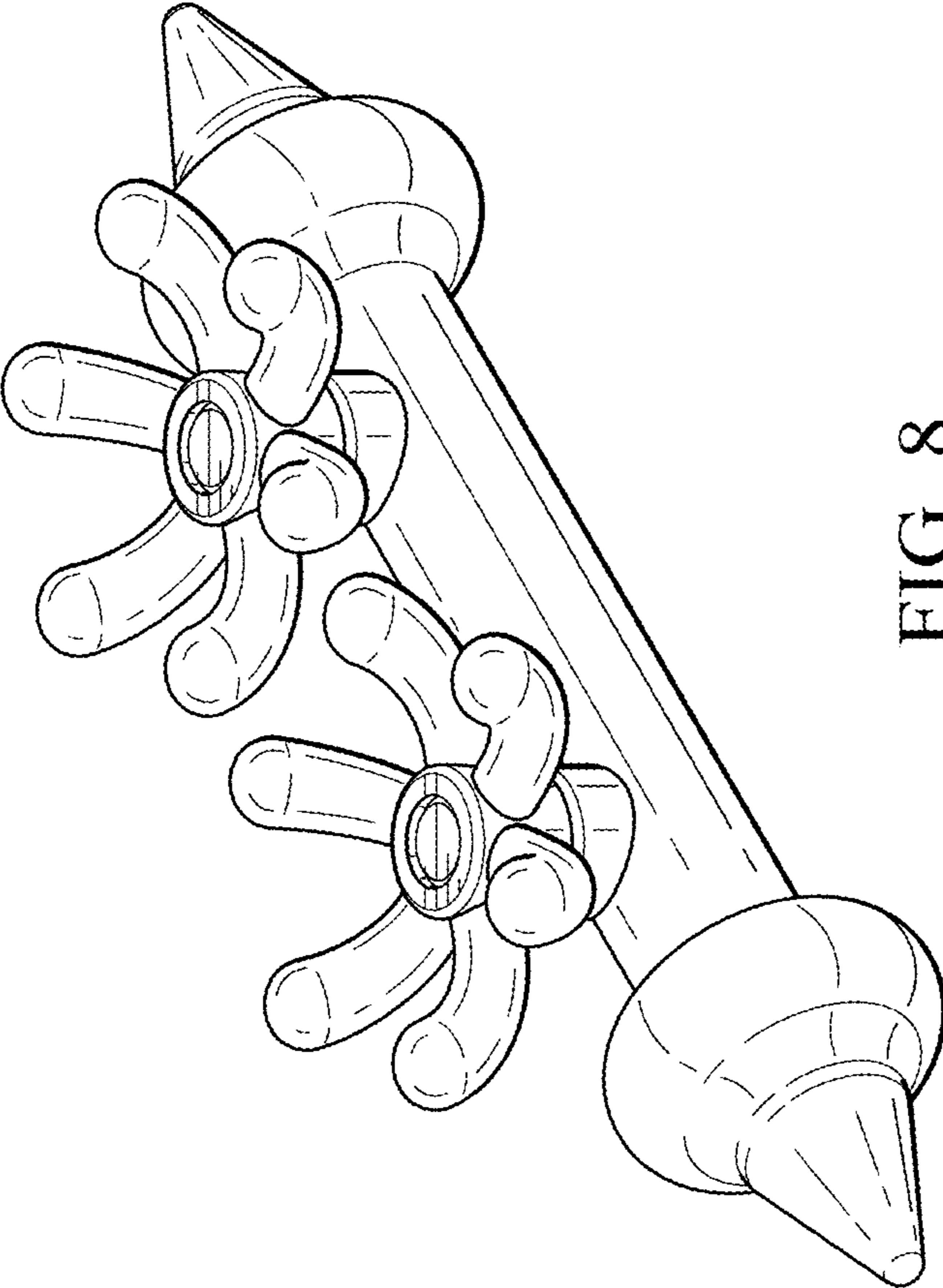


FIG. 8