



US00D790723S

(12) **United States Design Patent**
Kennedy et al.

(10) **Patent No.:** **US D790,723 S**
(45) **Date of Patent:** **** Jun. 27, 2017**

- (54) **PHOTOTHERAPY MASK**
- (71) Applicant: **COURTNEY VENTURES INC.,**
Duntroon (CA)
- (72) Inventors: **John Kennedy, Duntroon (CA); Simon**
Treadwell, Duntroon (CA)
- (73) Assignee: **COURTNEY VENTURES INC.,**
Duntroon (CA)

D648,858 S *	11/2011	Hayton	D24/209
8,192,473 B2	6/2012	Tucker et al.	
D704,338 S *	5/2014	Van Den Bergh	D24/158
D711,008 S *	8/2014	Park	D24/209
D745,695 S *	12/2015	Tapper	D24/209
2013/0066404 A1*	3/2013	Tapper	A61N 5/0616 607/90
2013/0066405 A1*	3/2013	Dougal	A61N 5/0616 607/94
2014/0303693 A1*	10/2014	Haarlander	A61N 5/0616 607/91

(**) Term: **14 Years**

(21) Appl. No.: **29/520,835**

(22) Filed: **Mar. 18, 2015**

(51) **LOC (10) Cl.** **28-03**

(52) **U.S. Cl.**

USPC **D24/209**

(58) **Field of Classification Search**

USPC D24/107, 186, 158, 231, 200, 209, 210,
D24/214, 215; D26/37-39; D28/9;
D29/102, 103, 108

CPC A61N 5/0616; A61N 5/0617; A61N 5/062;
A61N 5/0627; A61N 5/0625; A61N
2005/0643; A61N 2005/0644; A61N
2005/0645; A61N 2005/0647; A61N
2005/0651; A61N 2005/0652; A61B
2018/00452; A61B 2018/1807

See application file for complete search history.

(56) **References Cited**

U.S. PATENT DOCUMENTS

3,981,473 A	9/1976	Nagai	
D359,362 S *	6/1995	Ruscitti	D24/231
D380,556 S *	7/1997	Ruscitti	D24/231

OTHER PUBLICATIONS

International Search Report dated Jun. 8, 2016 for International Patent Application No. PCT/IB2016/051543.
Written Opinion dated Jun. 6, 2016 for PCT International Application No. PCT/IB2016/051543.

* cited by examiner

Primary Examiner — Anhdao Doan

(74) *Attorney, Agent, or Firm* — Perry + Currier Inc.

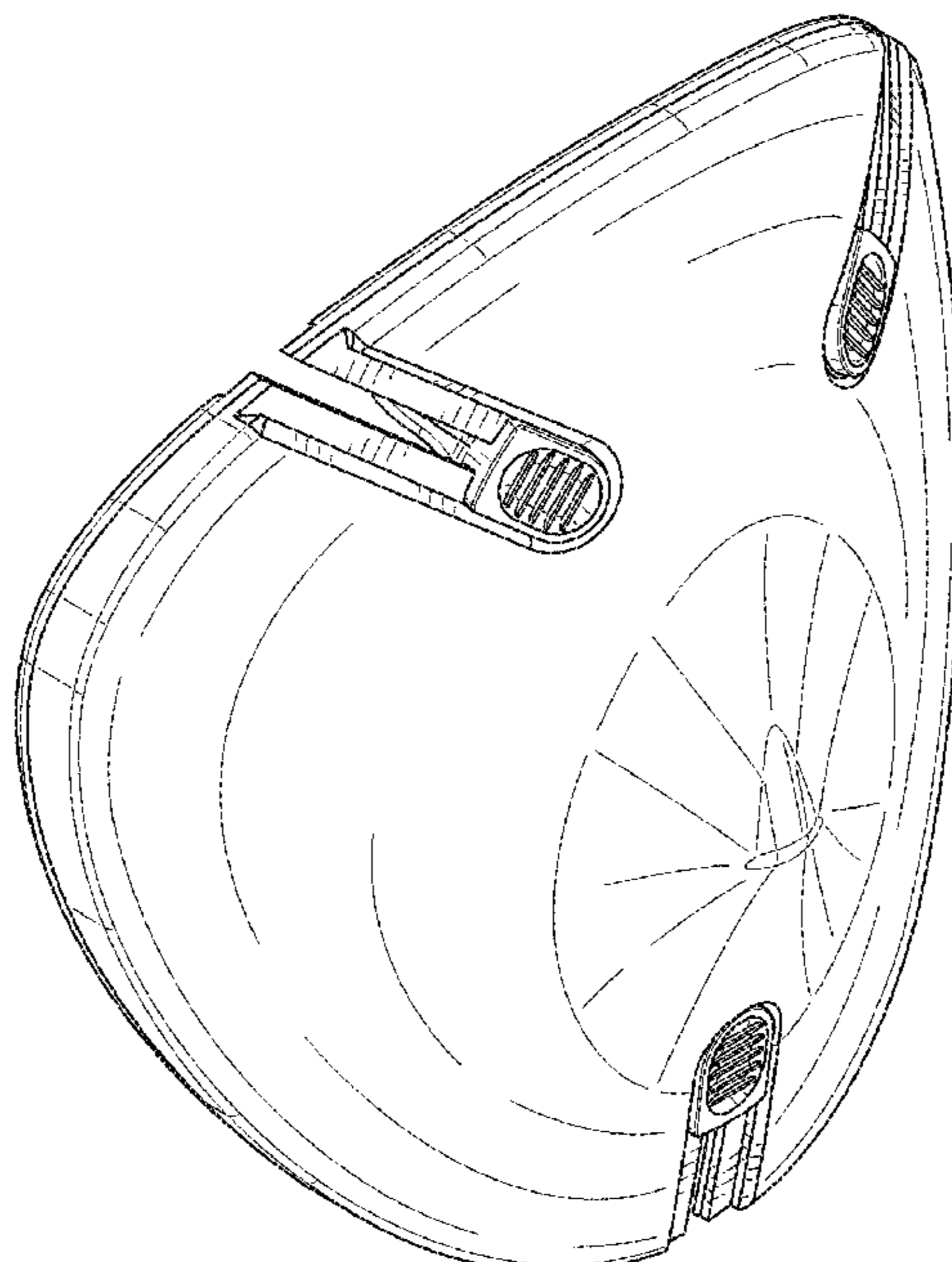
(57) **CLAIM**

We claim the ornamental design for a phototherapy mask, as shown and described.

DESCRIPTION

FIG. 1 is a front isometric view of a phototherapy mask showing our new design;
FIG. 2 is a rear isometric view of the phototherapy mask of FIG. 1;
FIG. 3 is a front elevational view of the phototherapy mask of FIG. 1;
FIG. 4 is a rear elevational view of the phototherapy mask of FIG. 1; and,
FIG. 5 is a side elevational view of the phototherapy mask of FIG. 1.

1 Claim, 5 Drawing Sheets



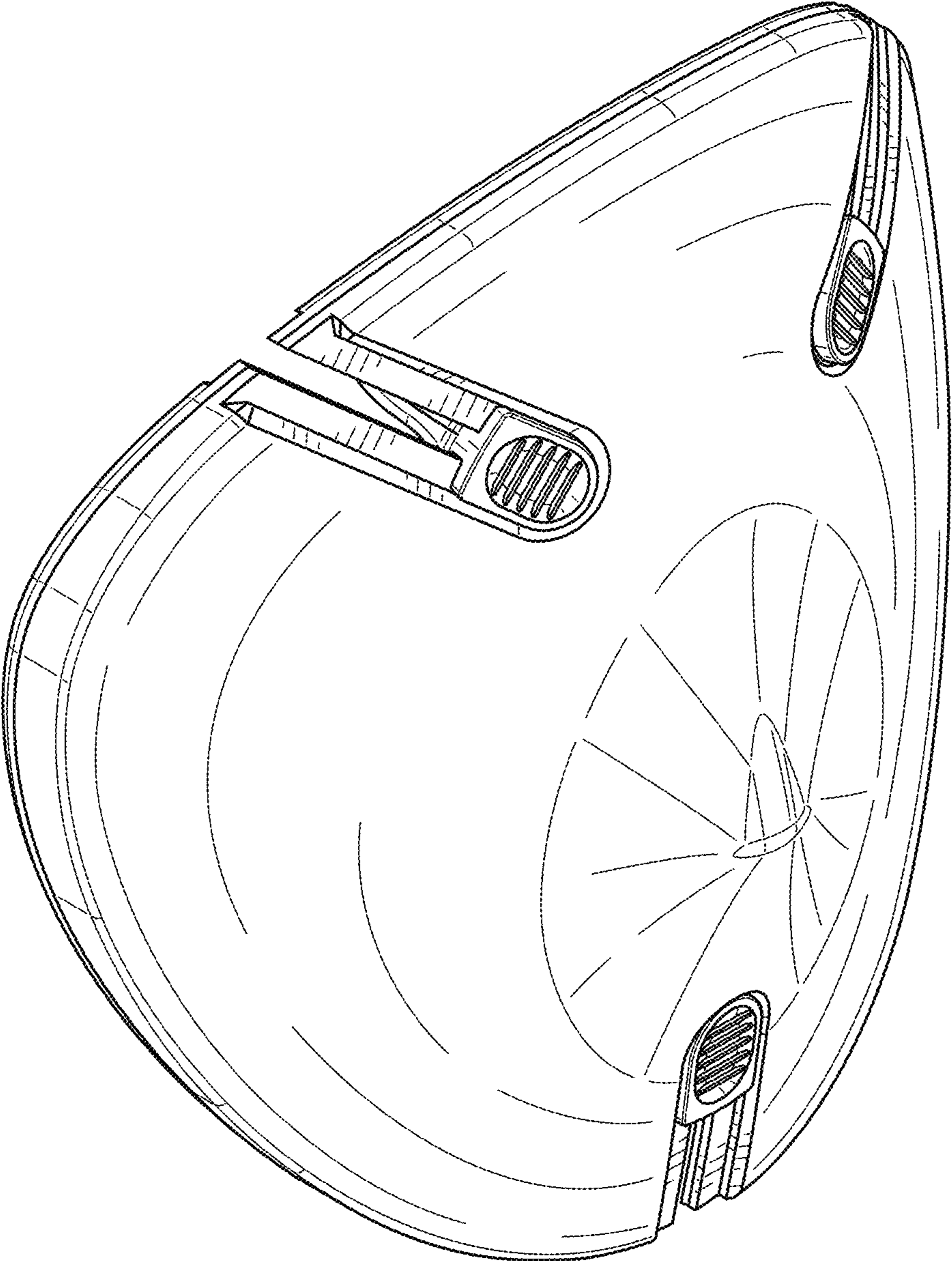


FIG. 1

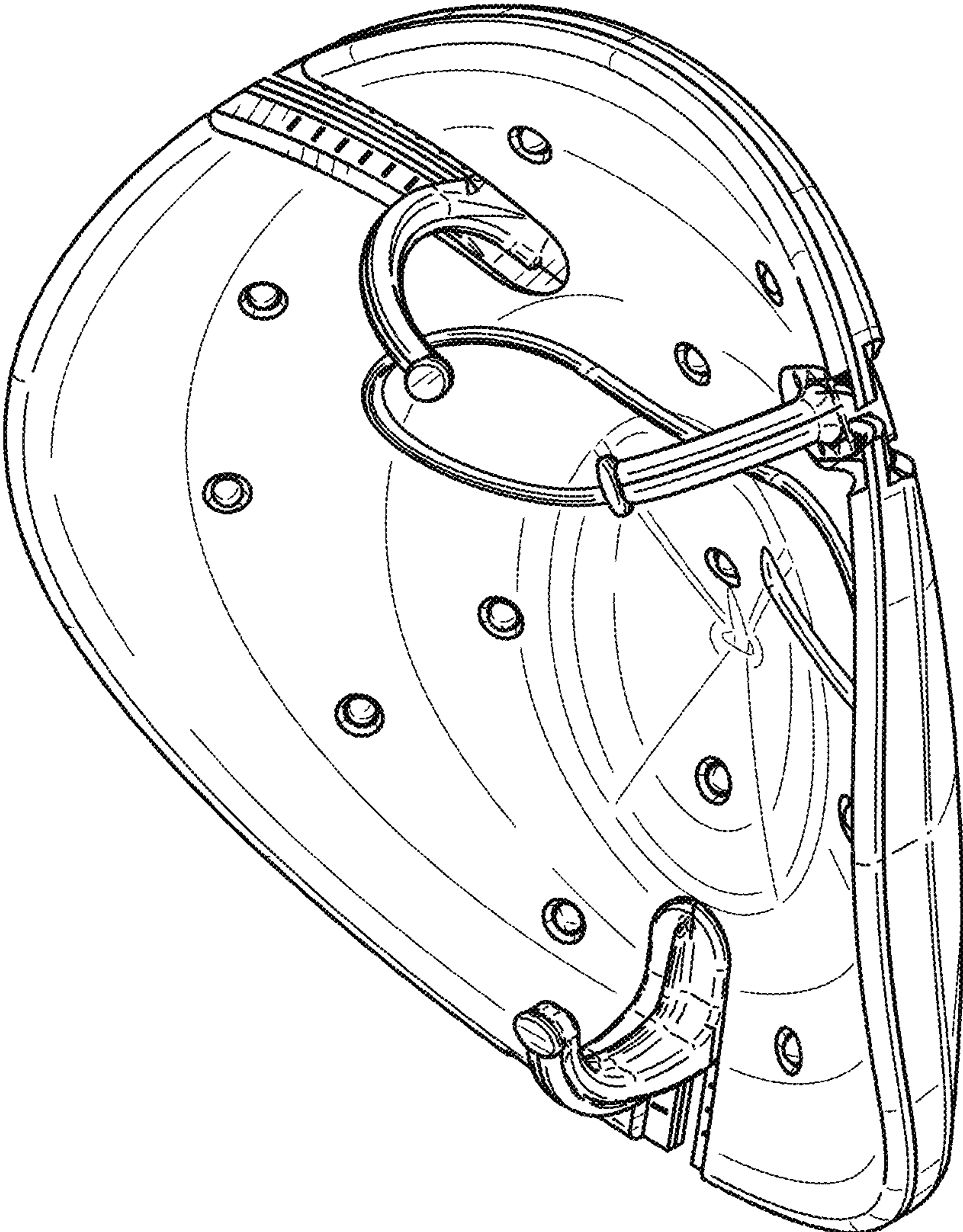


FIG. 2

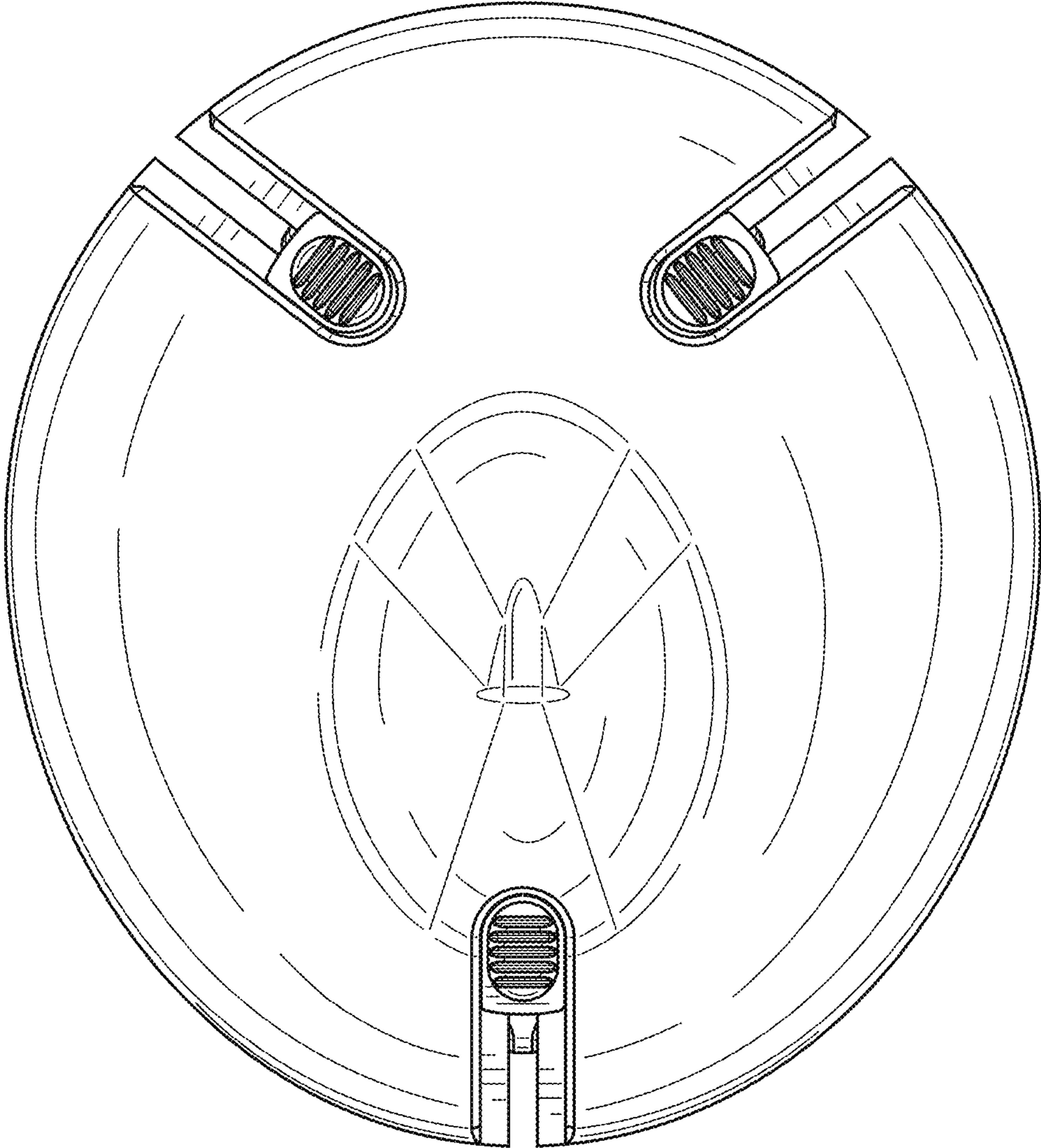


FIG. 3

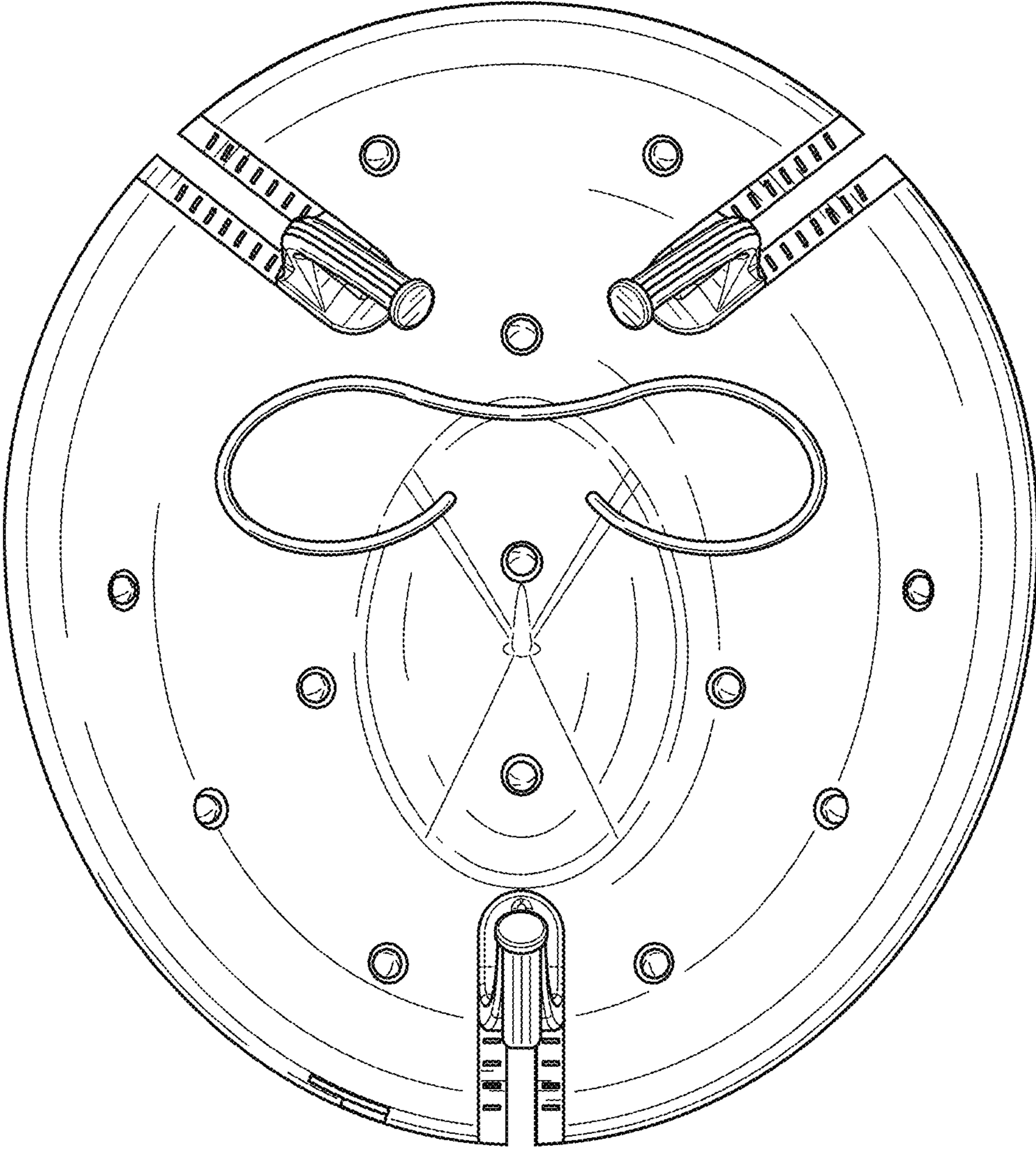


FIG. 4

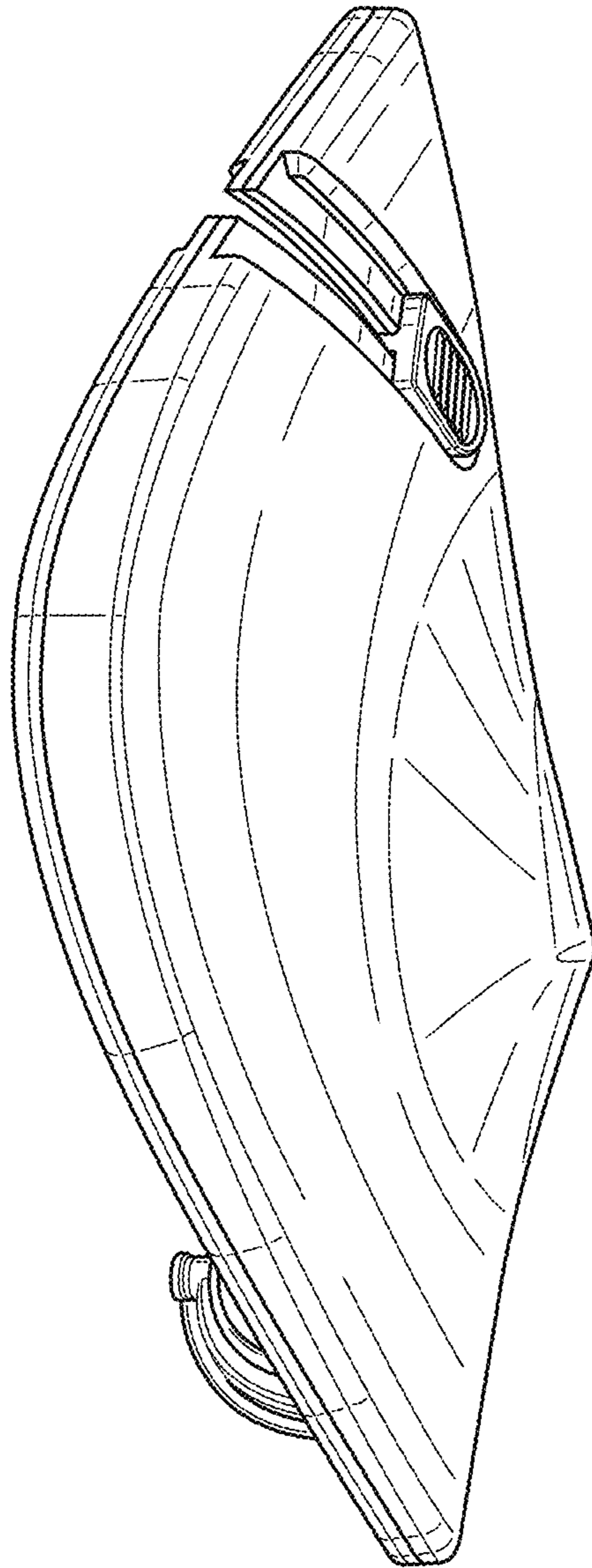


FIG. 5