



US00D790721S

(12) **United States Design Patent**  
**Larsen et al.**

(10) **Patent No.:** **US D790,721 S**  
(45) **Date of Patent:** **\*\* Jun. 27, 2017**

(54) **SPA SHELL**

D755,403 S \* 5/2016 Larsen ..... D24/204  
D780,321 S \* 2/2017 Larsen ..... D24/204  
D782,056 S \* 3/2017 Larsen ..... D24/204

(71) Applicant: **WATKINS MANUFACTURING CORPORATION**, Vista, CA (US)

\* cited by examiner

(72) Inventors: **Christopher Carl Larsen**, Vista, CA (US); **Sage Nathan Baker**, Cardiff, CA (US)

*Primary Examiner* — Wan Laymon  
*Assistant Examiner* — Mark Booker

(73) Assignee: **Watkins Manufacturing Corporation**, Vista, CA (US)

(74) *Attorney, Agent, or Firm* — Kirk W. Rudolph

(\*\*) Term: **15 Years**

(21) Appl. No.: **29/567,089**

(22) Filed: **Jun. 6, 2016**

(51) **LOC (10) Cl.** ..... **23-02**

(52) **U.S. Cl.**  
USPC ..... **D24/204**

(58) **Field of Classification Search**  
USPC ..... D24/204, 201, 202, 203, 205, 213;  
D23/276, 277, 278, 280.1–280.3; D25/2  
CPC ..... A61H 33/6005; A61H 33/6021; A61H  
33/6089; A61H 33/6094; A61H 2035/004;  
A61H 35/006; A47K 3/022; A47K 3/062  
See application file for complete search history.

(56) **References Cited**

**U.S. PATENT DOCUMENTS**

D528,663 S \* 9/2006 Loyd ..... D24/204  
D551,357 S \* 9/2007 Loyd ..... D24/204

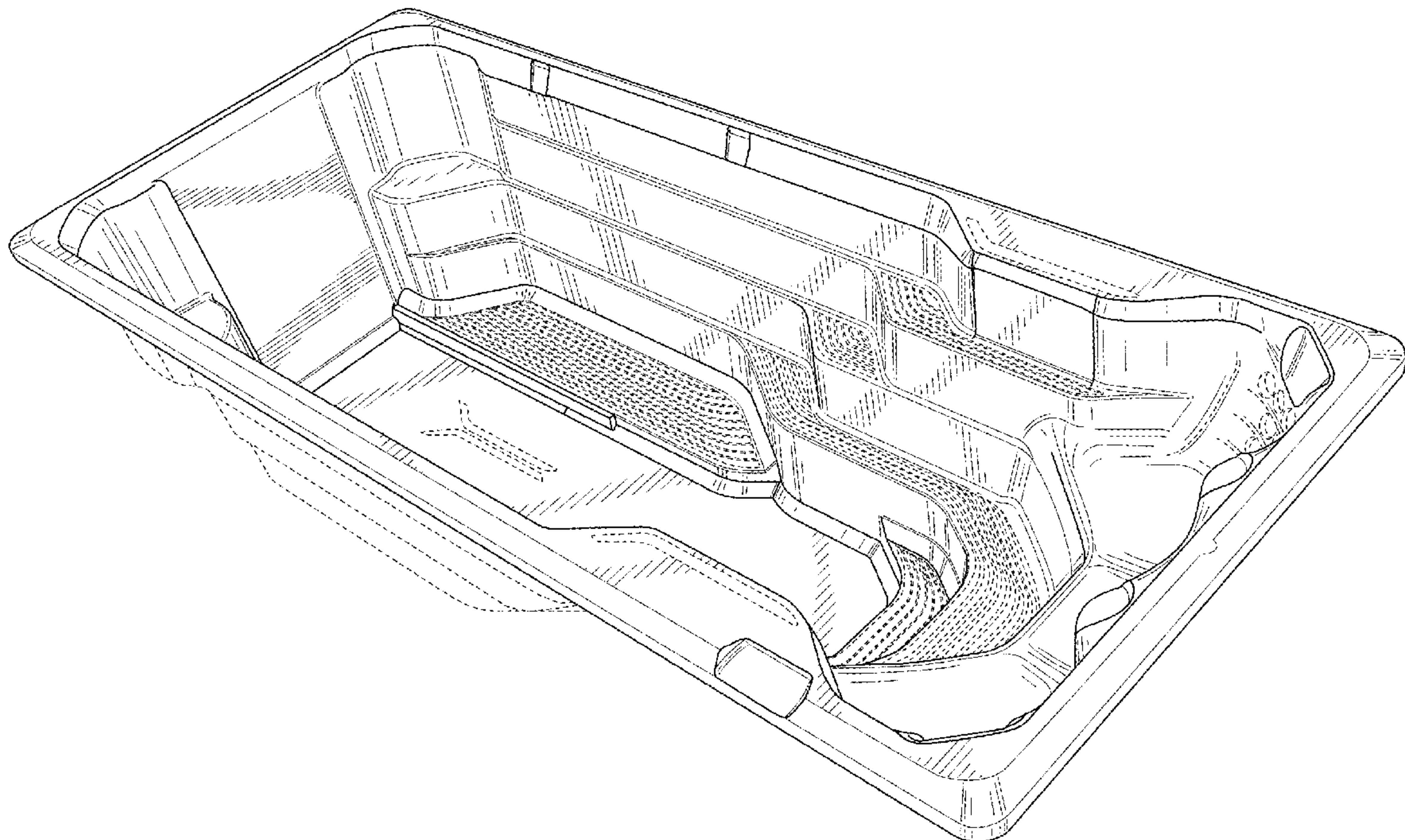
(57) **CLAIM**

The ornamental design for a spa shell, as shown and described.

**DESCRIPTION**

FIG. 1 is a perspective view of a spa shell showing our new design;  
FIG. 2 is another perspective view thereof;  
FIG. 3 is a top plan view thereof;  
FIG. 4 is a cross-sectional view thereof, taken along line 4-4 of FIG. 3;  
FIG. 5 is a cross-sectional view thereof, taken along line 5-5 of FIG. 3;  
FIG. 6 is a cross-sectional view thereof, taken along line 6-6 of FIG. 3; and,  
FIG. 7 is a cross-sectional view thereof, taken along line 7-7 of FIG. 3.  
The broken line portions of FIGS. 1-7, show unclaimed subject matter only and form no part of the claimed design.

**1 Claim, 7 Drawing Sheets**



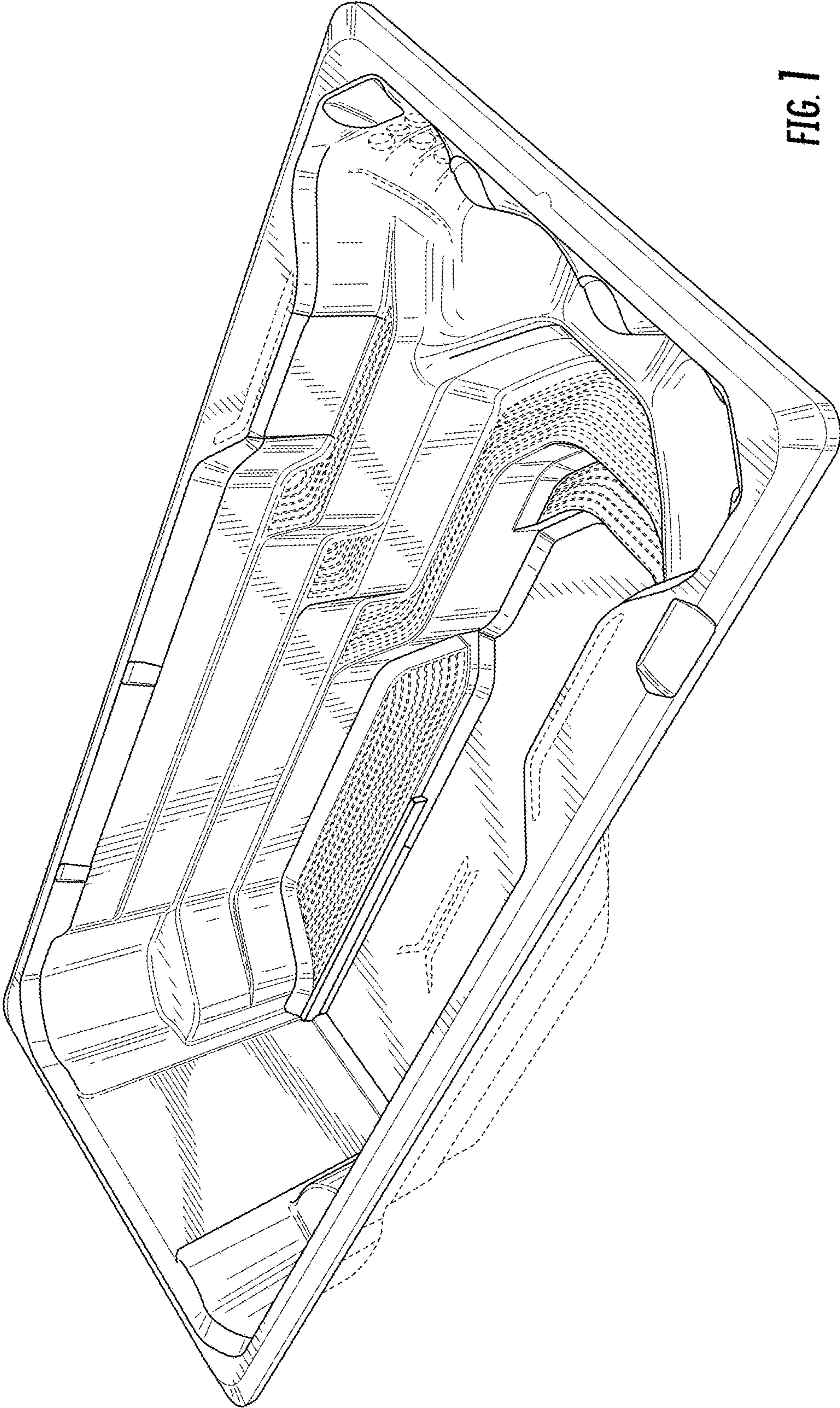


FIG. 1



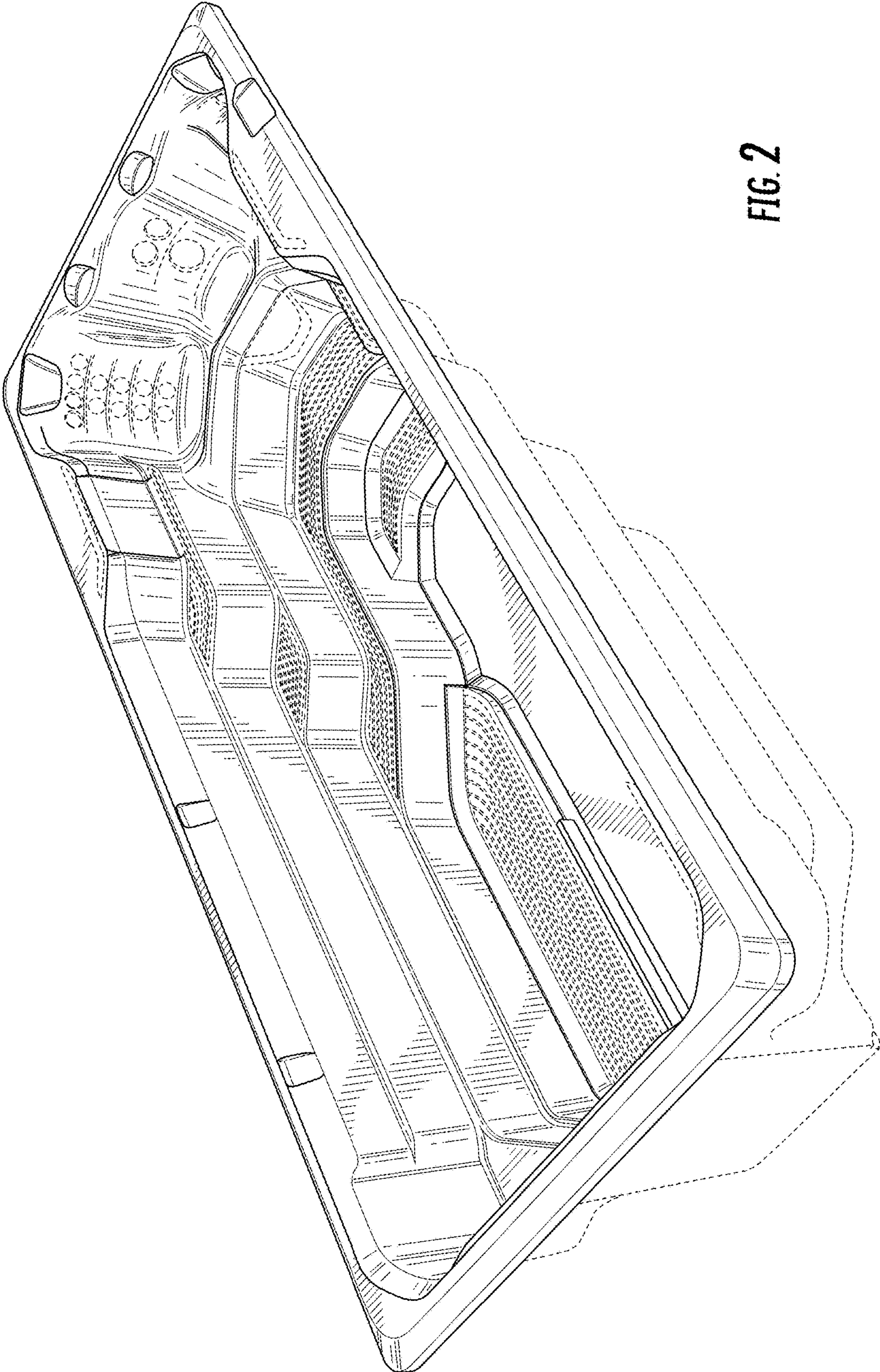


FIG. 2



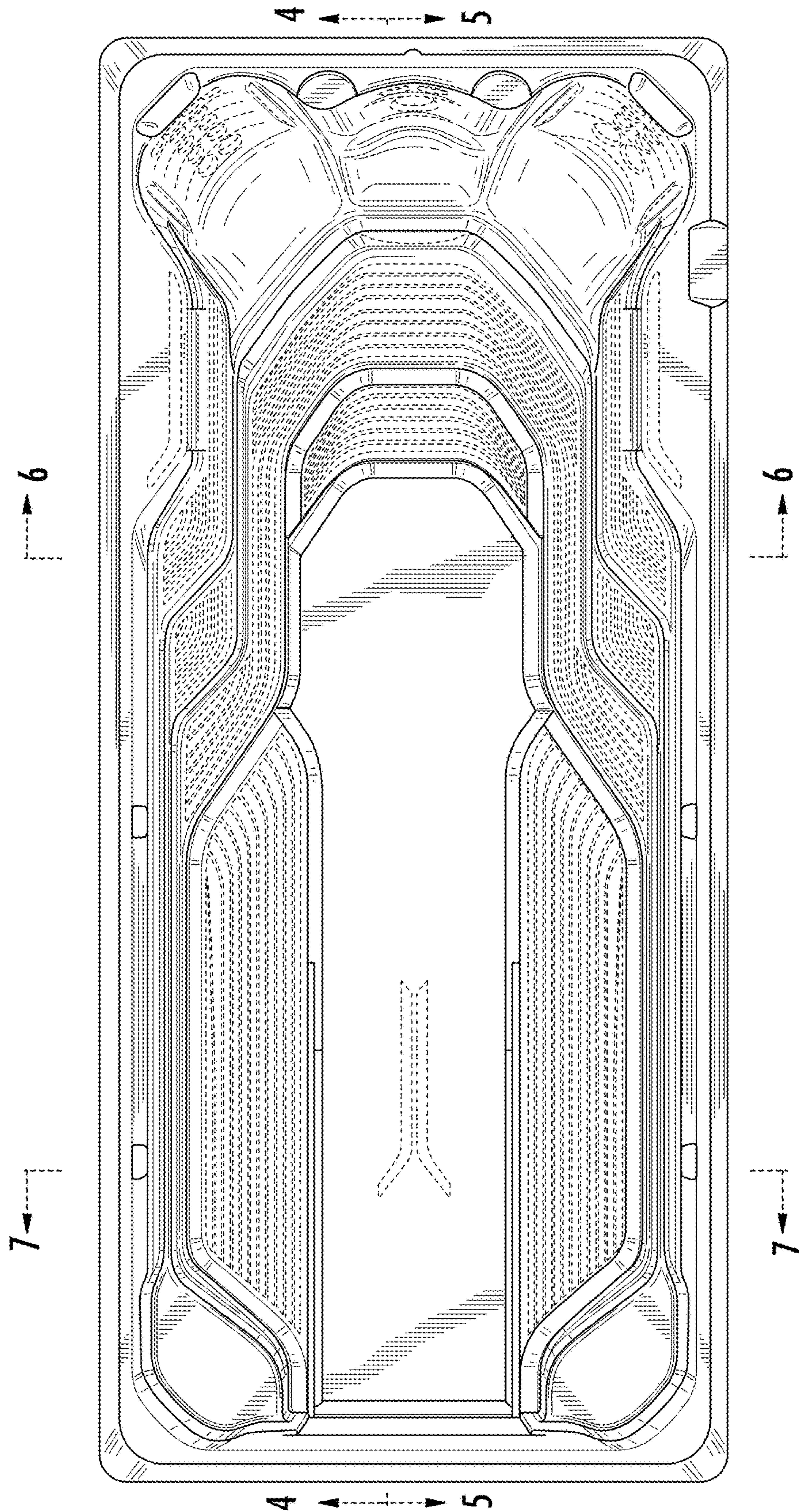


FIG. 3

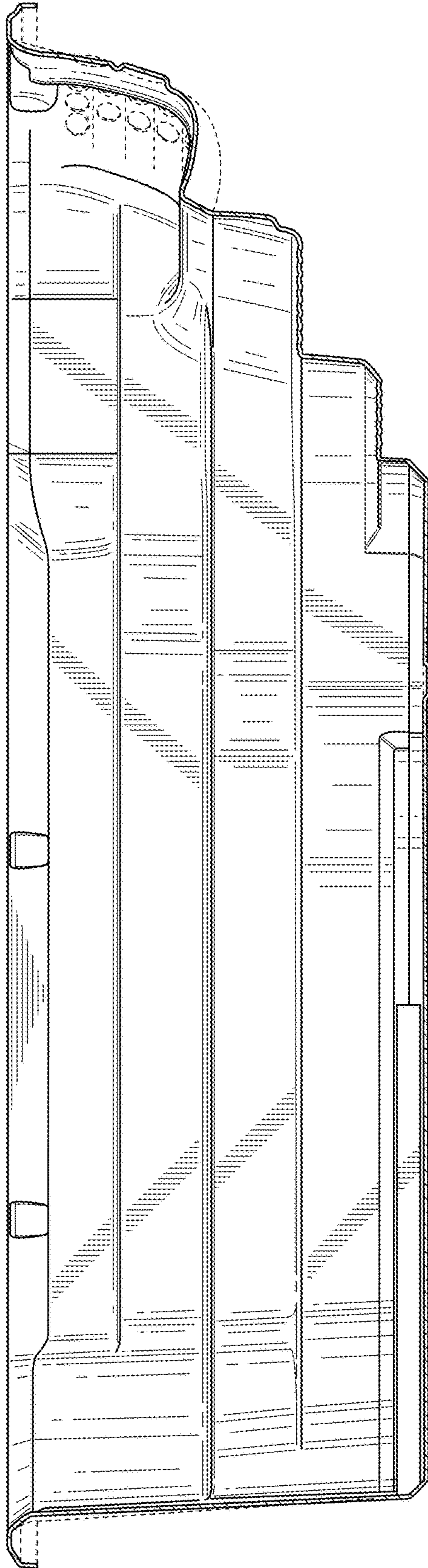


FIG. 4



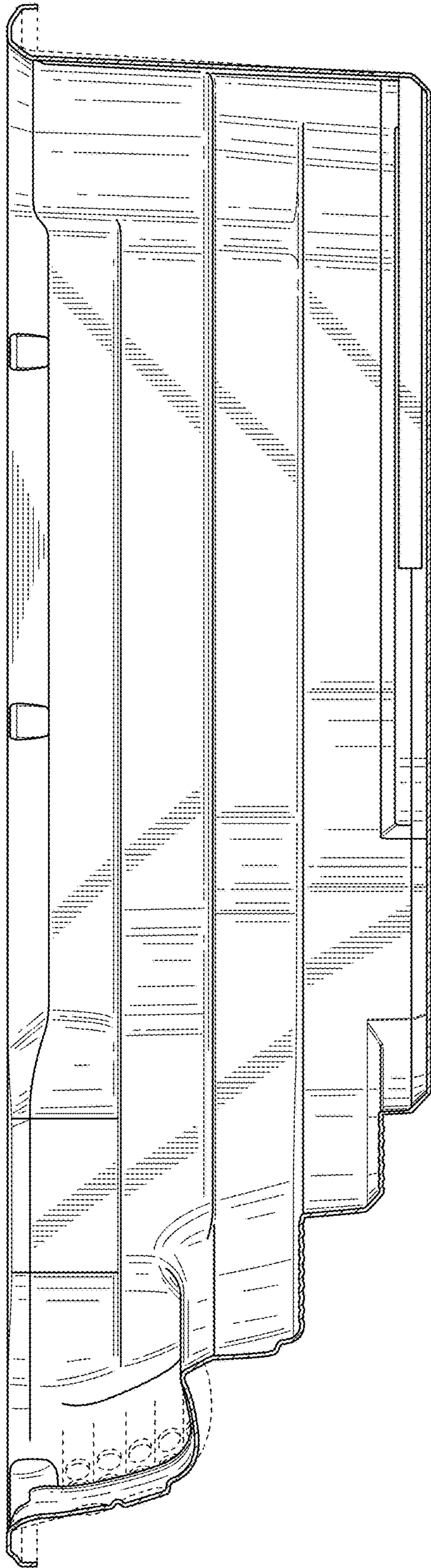
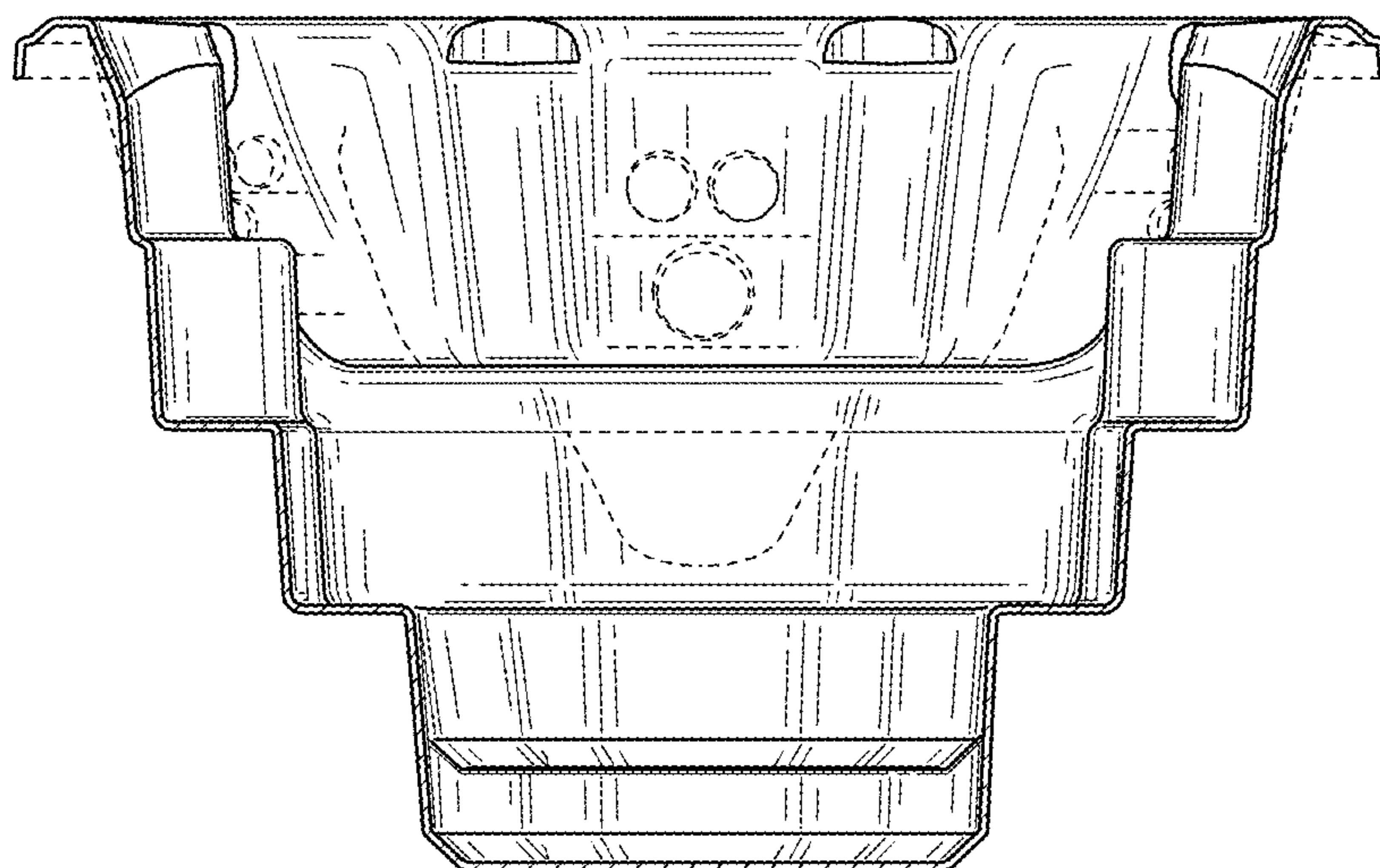
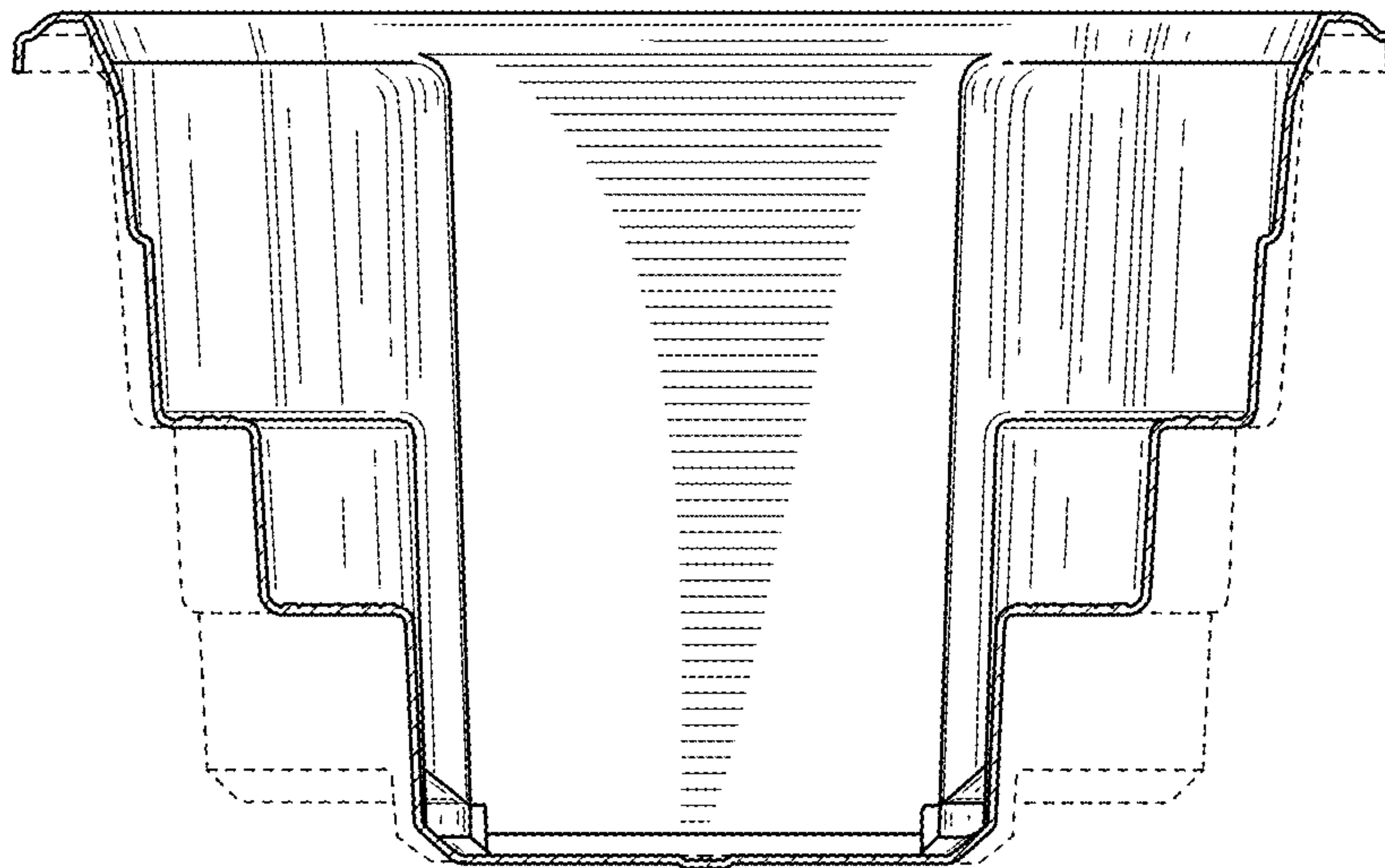


FIG. 5



**FIG. 6**



**FIG. 7**



UNITED STATES PATENT AND TRADEMARK OFFICE  
**CERTIFICATE OF CORRECTION**

PATENT NO. : D790,721 S  
APPLICATION NO. : 29/567089  
DATED : June 27, 2017  
INVENTOR(S) : Larsen et al.

Page 1 of 1

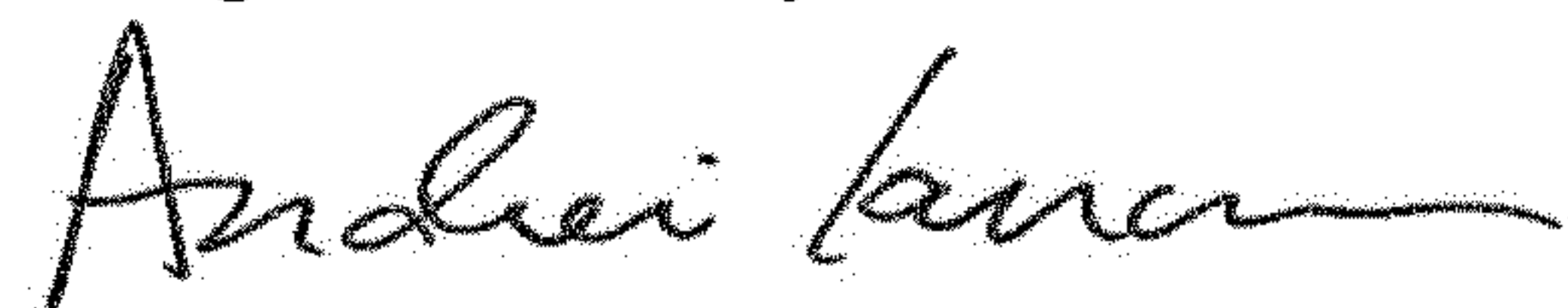
It is certified that error appears in the above-identified patent and that said Letters Patent is hereby corrected as shown below:

On the Title Page

Item (72) Inventors, should read:

-- (72) Inventors: **Christopher Carl Larsen**, Vista, CA  
(US); **Sage Nathan Baker**, Cardiff, CA  
(US); **Fernando Pardo**, Newbury Park,  
CA (US); **Martti Johannes Lampela**,  
Woodland Hills, CA (US) --.

Signed and Sealed this  
Eighteenth Day of June, 2019



Andrei Iancu  
*Director of the United States Patent and Trademark Office*