



US00D790719S

(12) **United States Design Patent** (10) **Patent No.:** **US D790,719 S**
Larsen et al. (45) **Date of Patent:** **** Jun. 27, 2017**

(54) **SPA SHELL**

D755,403 S * 5/2016 Larsen D24/204
D780,321 S * 2/2017 Larsen D24/204
D782,056 S * 3/2017 Larsen D24/204

(71) Applicant: **WATKINS MANUFACTURING CORPORATION**, Vista, CA (US)

* cited by examiner

(72) Inventors: **Christopher Carl Larsen**, Vista, CA (US); **Sage Nathan Baker**, Cardiff, CA (US)

Primary Examiner — Wan Laymon
Assistant Examiner — Mark Booker

(73) Assignee: **Watkins Manufacturing Corporation**, Vista, CA (US)

(74) *Attorney, Agent, or Firm* — Kirk W. Rudolph

(**) Term: **15 Years**

(21) Appl. No.: **29/565,992**

(22) Filed: **May 26, 2016**

(51) **LOC (10) Cl.** **23-02**

(52) **U.S. Cl.**
USPC **D24/204**

(58) **Field of Classification Search**
USPC D24/204, 201, 202, 203, 205, 213;
D23/276, 277, 278, 280.1–280.3; D25/2
CPC A61H 33/6005; A61H 33/6021; A61H
33/6089; A61H 33/6094; A61H 2035/004;
A61H 35/006; A47K 3/022; A47K 3/062
See application file for complete search history.

(56) **References Cited**

U.S. PATENT DOCUMENTS

D528,663 S * 9/2006 Loyd D24/204
D551,357 S * 9/2007 Loyd D24/204

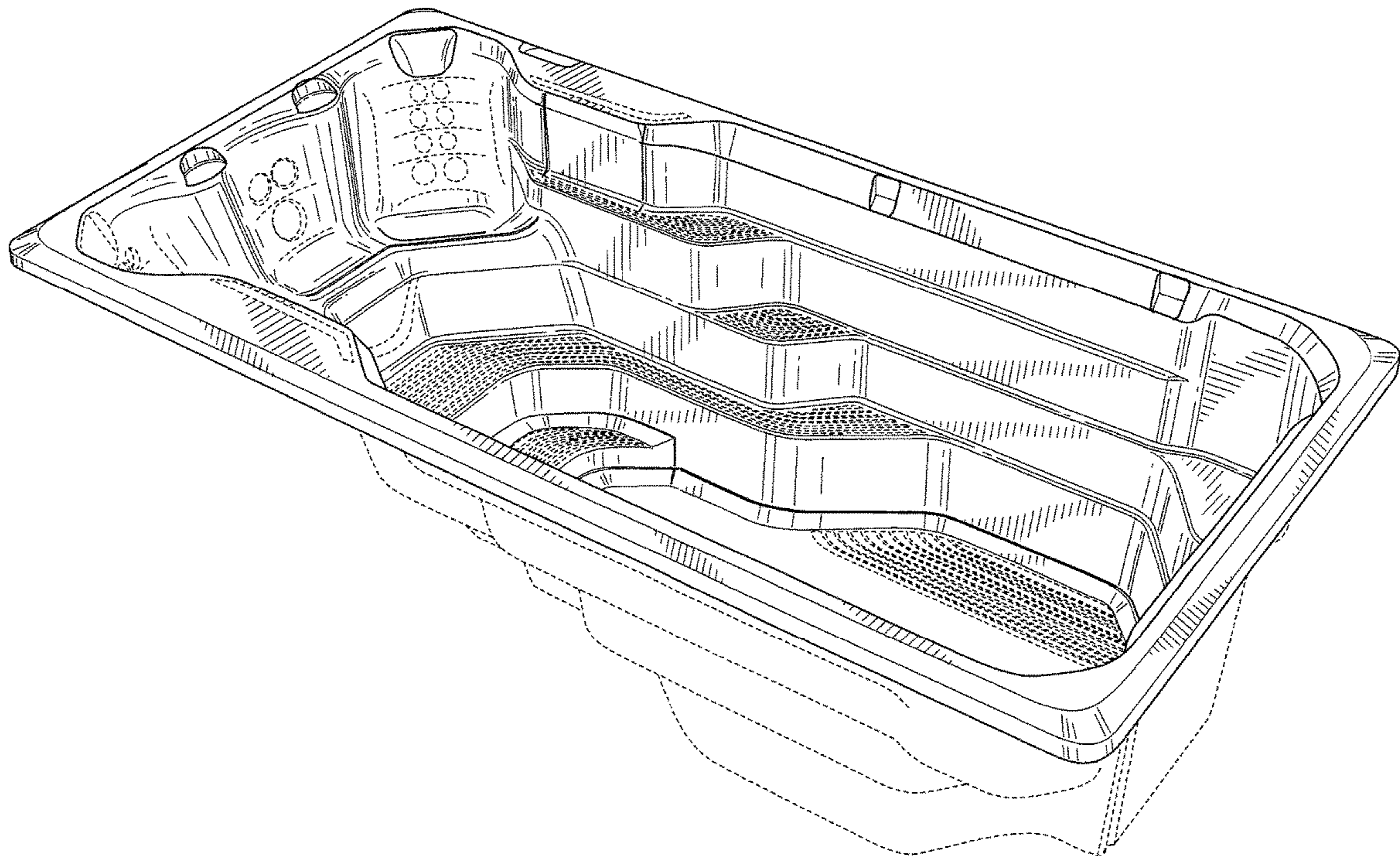
(57) **CLAIM**

The ornamental design for a spa shell, as shown and described.

DESCRIPTION

FIG. 1 is a perspective view of a spa shell showing our new design;
FIG. 2 is another perspective view thereof;
FIG. 3 is a top plan view thereof;
FIG. 4 is a cross-sectional view thereof, taken along line 4-4 of FIG. 3;
FIG. 5 is a cross-sectional view thereof, taken along line 5-5 of FIG. 3;
FIG. 6 is a cross-sectional view thereof, taken along line 6-6 of FIG. 3; and,
FIG. 7 is a cross-sectional view thereof, taken along line 7-7 of FIG. 3.
The broken line portions of FIGS. 1-7, show unclaimed subject matter only and form no part of the claimed design.

1 Claim, 7 Drawing Sheets



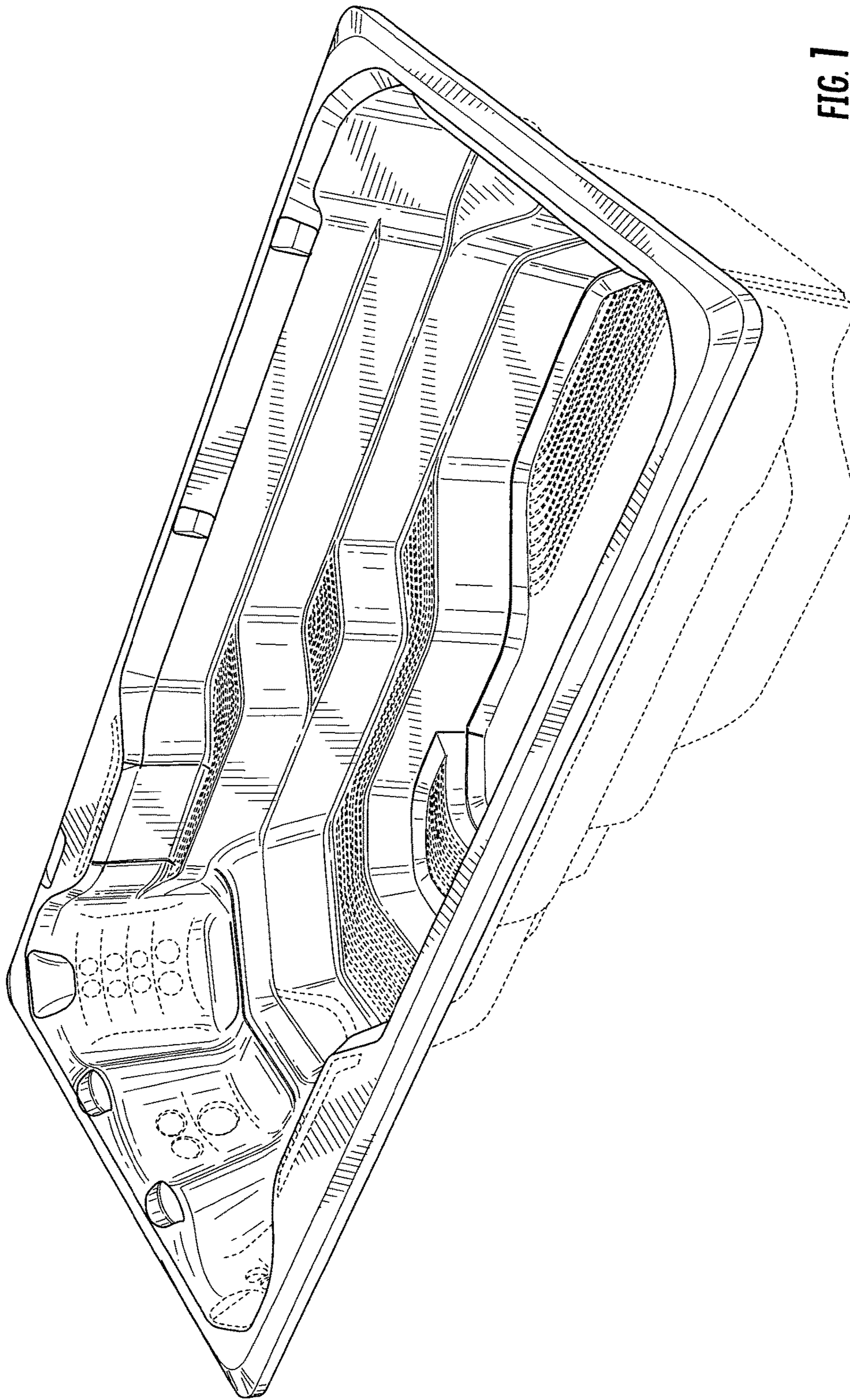


FIG. 1

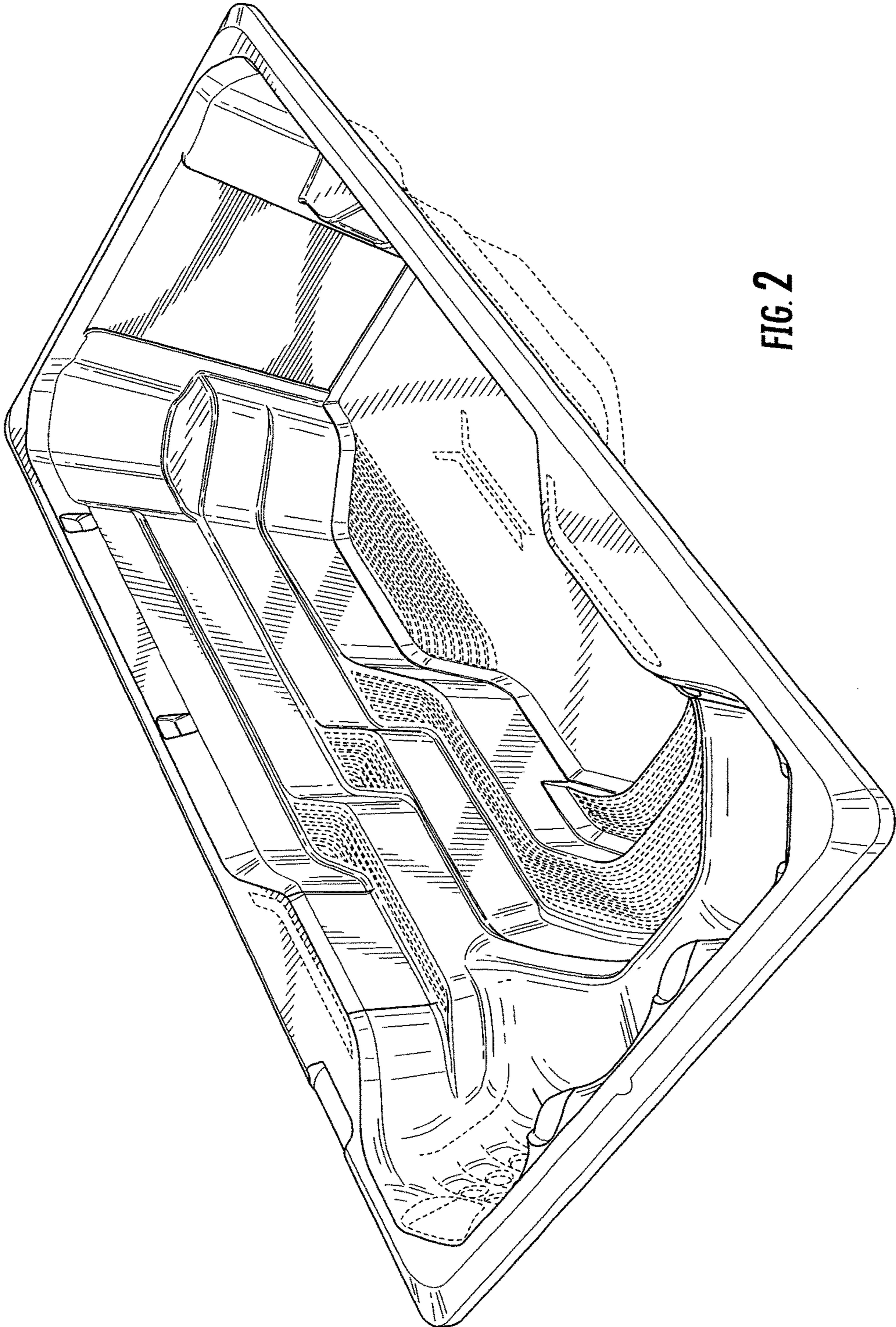


FIG. 2

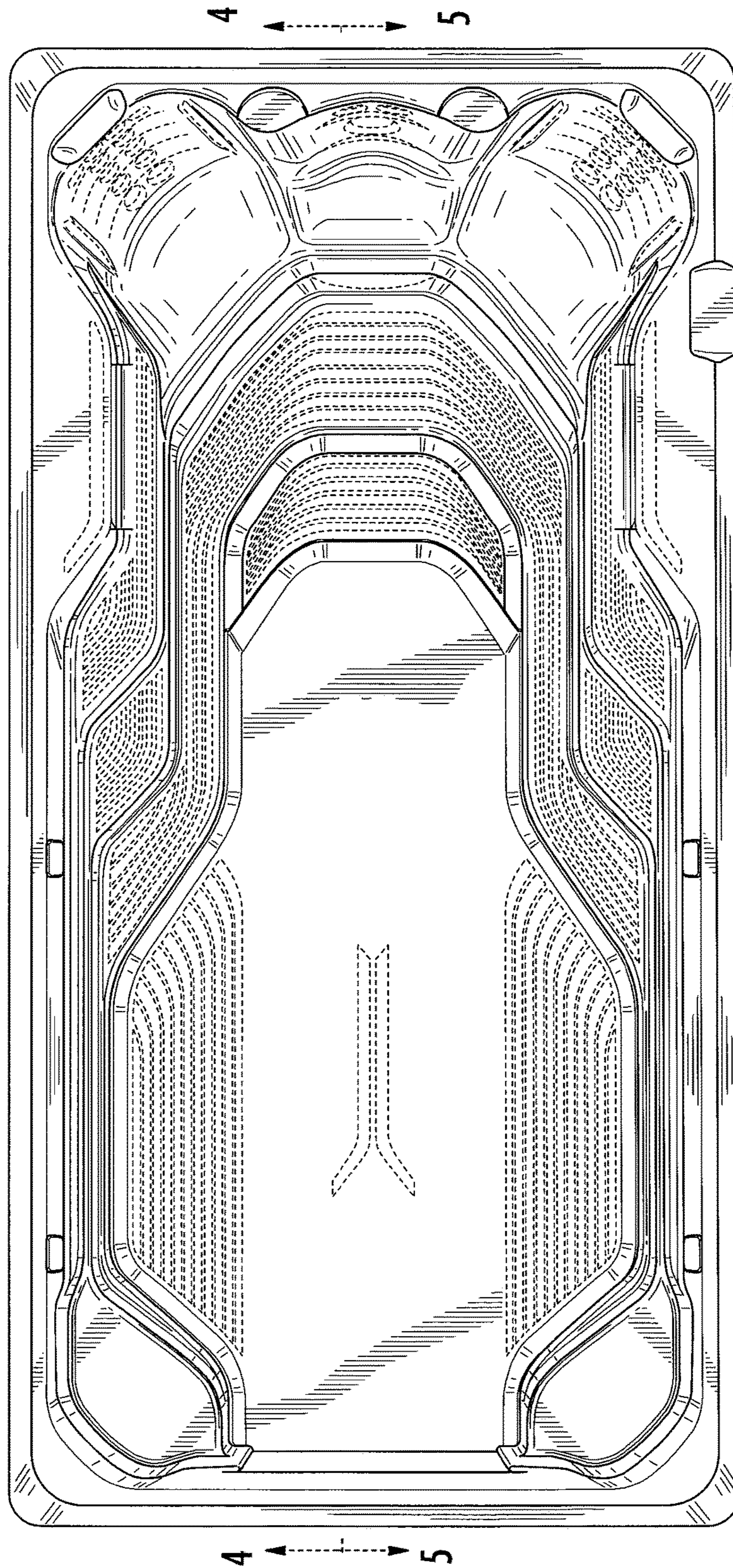


FIG. 3



FIG. 4



FIG. 5

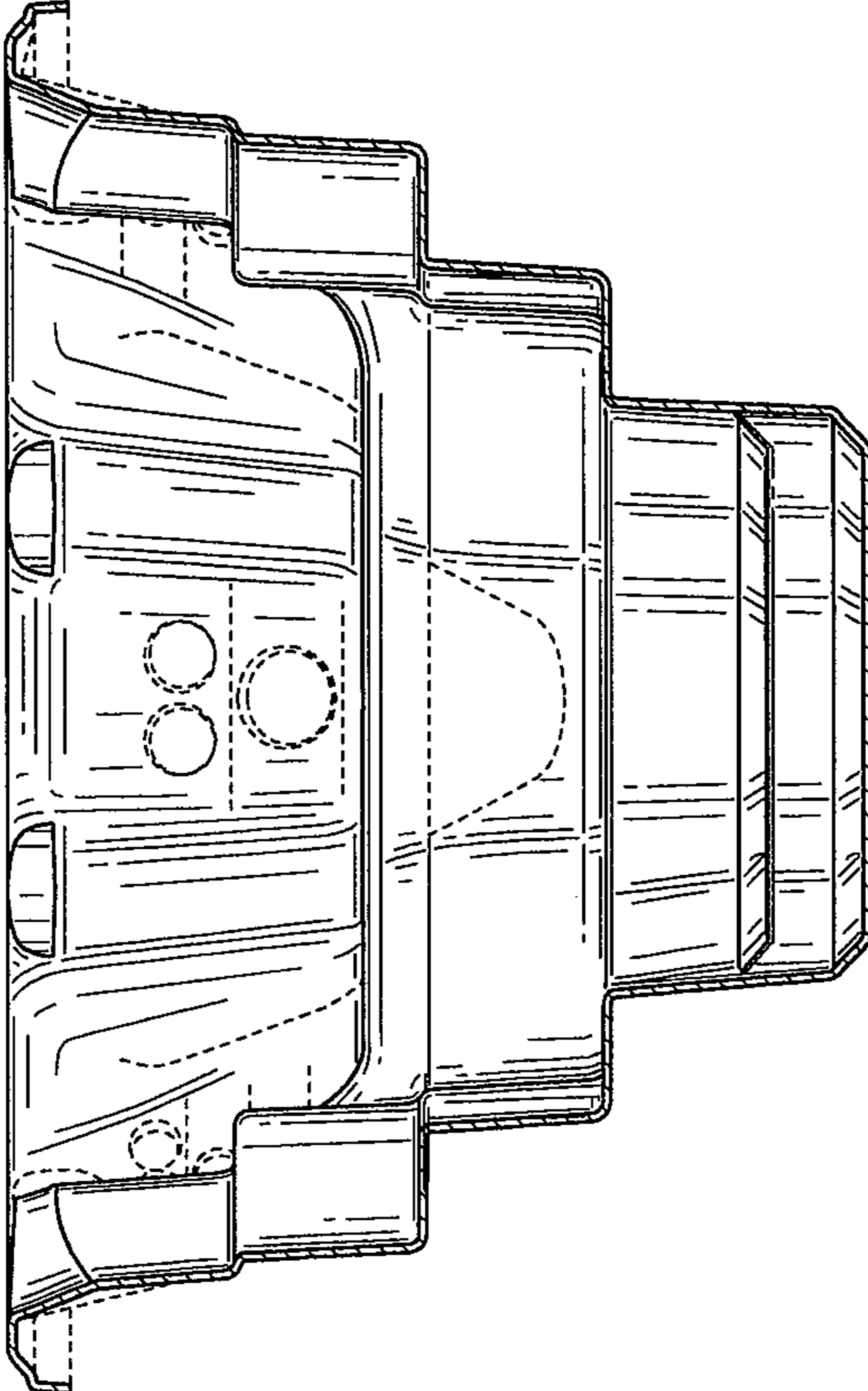


FIG. 6

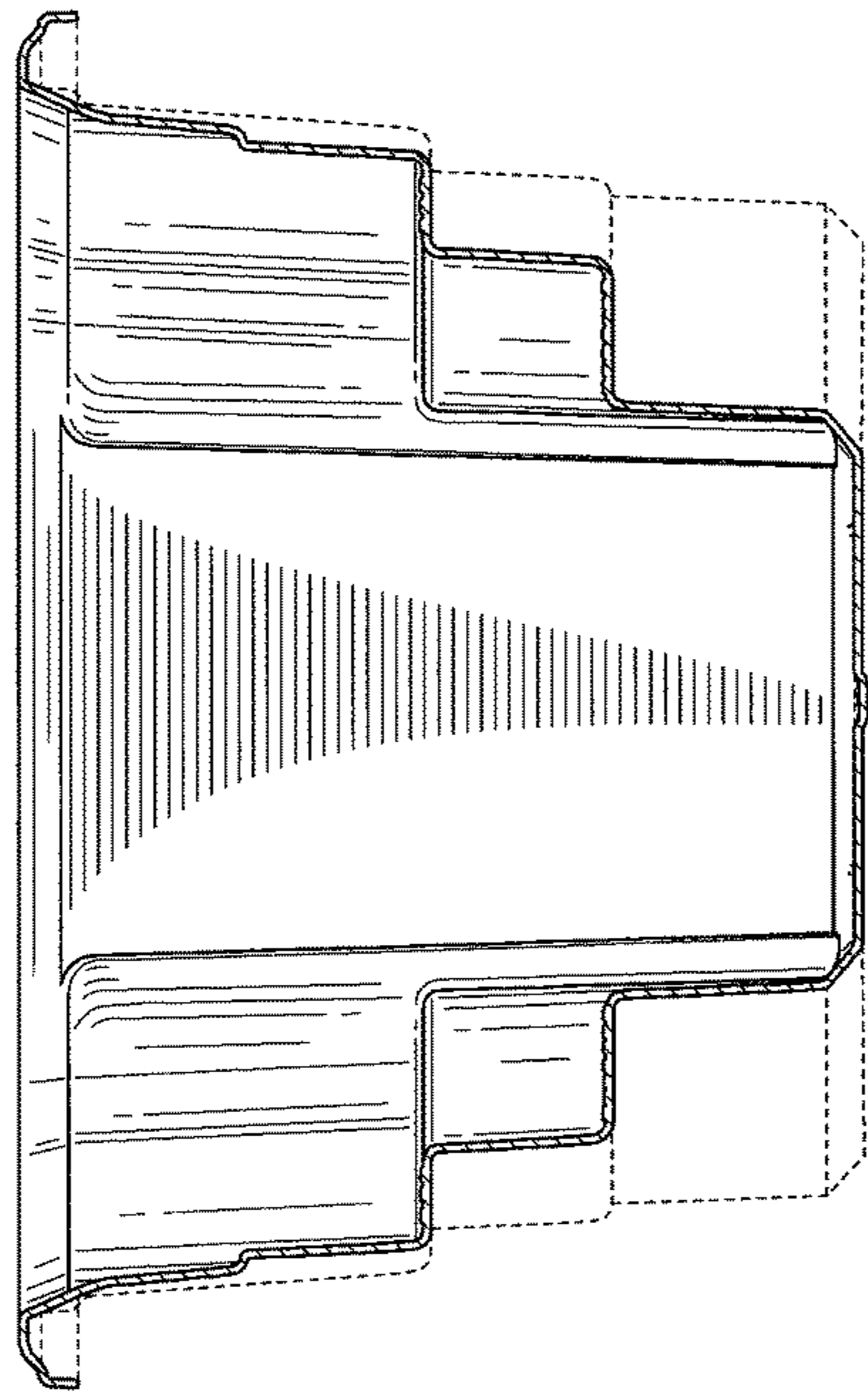


FIG. 7

UNITED STATES PATENT AND TRADEMARK OFFICE
CERTIFICATE OF CORRECTION

PATENT NO. : D790,719 S
APPLICATION NO. : 29/565992
DATED : June 27, 2017
INVENTOR(S) : Larsen et al.

Page 1 of 1

It is certified that error appears in the above-identified patent and that said Letters Patent is hereby corrected as shown below:

On the Title Page

Item [72], insert:

--Fernando Pardo, Newbury Park, CA;

Martti Johannes Lampela, Woodland Hills, CA--

Signed and Sealed this
Thirtieth Day of April, 2019



Andrei Iancu
Director of the United States Patent and Trademark Office