



US00D790713S

(12) **United States Design Patent** (10) **Patent No.:** **US D790,713 S**  
**Rezzonico et al.** (45) **Date of Patent:** **\*\* Jun. 27, 2017**

(54) **ULTRASOUND PROBE**

(71) Applicants: **Fabio Rezzonico**, Como (IT);  
**Giuseppe Vigna**, Fiesole (IT)

(72) Inventors: **Fabio Rezzonico**, Como (IT);  
**Giuseppe Vigna**, Fiesole (IT)

(73) Assignee: **ESAOTE S.P.A.**, Genoa (IT)

(\*\*) Term: **15 Years**

(21) Appl. No.: **29/552,681**

(22) Filed: **Jan. 25, 2016**

**Related U.S. Application Data**

(63) Continuation-in-part of application No. 29/477,312,  
filed on Dec. 20, 2013, now Pat. No. Des. 758,593.

(30) **Foreign Application Priority Data**

Jul. 1, 2013 (EM) ..... 002265918-0001

(51) **LOC (10) Cl.** ..... **24-01**

(52) **U.S. Cl.**  
USPC ..... **D24/187**

(58) **Field of Classification Search**

USPC ..... D24/133, 158, 186-187, 200; 600/437,  
600/439, 446, 453, 459, 463, 424, 443;  
128/916; D10/60, 80, 103  
CPC ..... A61B 5/14532; A61B 5/14546; A61B  
5/1455; A61B 5/14551; A61B 5/14552;  
A61B 7/003; A61B 5/0476; A61B 5/021;  
A61B 5/0478; A61B 8/4281; A61B 8/00;  
A61B 5/0002; A61B 5/042; A61B 8/06;  
A61B 8/546; A61B 8/12; A61B 8/463;  
A61B 8/4411; C12Q 1/006; G10K  
11/004; G10K 11/32

See application file for complete search history.

(56) **References Cited**

U.S. PATENT DOCUMENTS

D343,801	S	*	2/1994	Burns	.....	D10/78
5,482,047	A	*	1/1996	Nordgren	.....	A61B 8/06 600/459
D389,918	S	*	1/1998	Ninomiya	.....	D24/186
D392,044	S	*	3/1998	Mesaros	.....	D24/186
6,139,502	A	*	10/2000	Fredriksen	.....	A61B 8/4281 600/459
6,599,249	B1	*	7/2003	Nordgren	.....	G10K 11/004 600/459
6,709,392	B1	*	3/2004	Salgo	.....	A61B 8/546 600/439
7,142,905	B2	*	11/2006	Slayton	.....	A61B 8/463 600/440
D536,450	S	*	2/2007	Ryan	.....	D24/144
D550,365	S	*	9/2007	Kitayama	.....	D24/186
D555,252	S	*	11/2007	Kitayama	.....	D24/186
D604,855	S	*	11/2009	Shearlaw	.....	D24/186
D623,755	S	*	9/2010	Ikegame	.....	D24/186

(Continued)

*Primary Examiner* — Ian Simmons

*Assistant Examiner* — Mark Cavanna

(74) *Attorney, Agent, or Firm* — Themis Law

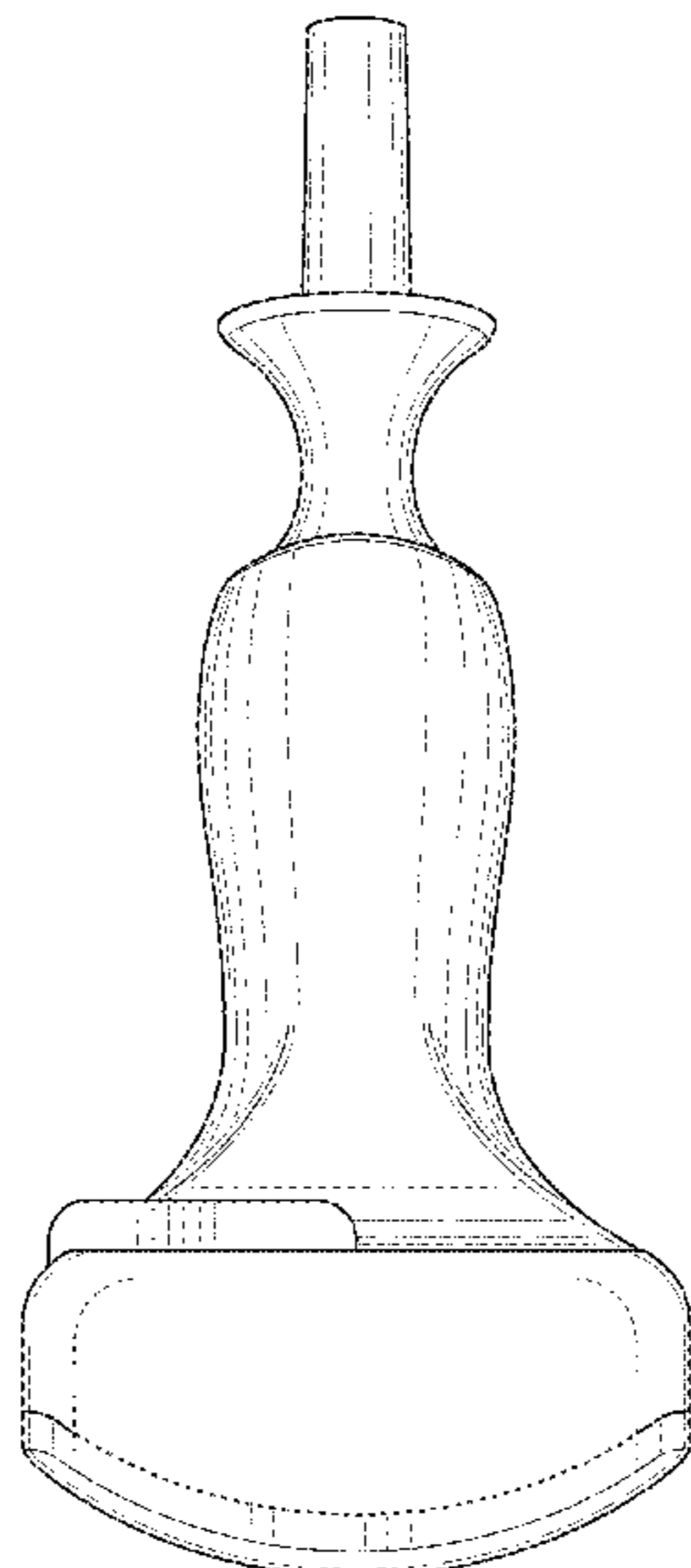
(57) **CLAIM**

The ornamental design for an ultrasound probe, as shown and described.

**DESCRIPTION**

FIG. 1 is a front elevational view of the ultrasound probe showing my new design;  
FIG. 2 is a rear elevational view thereof;  
FIG. 3 is a right side elevational view thereof;  
FIG. 4 is a left side elevational view thereof;  
FIG. 5 is a top plan view thereof; and,  
FIG. 6 is a bottom plan view thereof.  
The broken lines are included for the purpose of illustrating portions of the ultrasound probe that form no part of the claimed design.

**1 Claim, 6 Drawing Sheets**



(56)

**References Cited**

U.S. PATENT DOCUMENTS

D681,820	S	*	5/2013	Shinohara	.....	D24/186
D681,823	S	*	5/2013	Shinohara	.....	D24/186
D681,824	S	*	5/2013	Shinohara	.....	D24/186
D682,433	S	*	5/2013	Shinohara	.....	D24/186
D687,153	S	*	7/2013	Torzilli	.....	D24/187
D702,358	S	*	4/2014	Shinohara	.....	D24/187
D703,332	S	*	4/2014	Saeki	.....	D24/187
D703,818	S	*	4/2014	Moon	.....	D24/187
D704,341	S	*	5/2014	Ryu	.....	D24/187
D705,433	S	*	5/2014	Ran	.....	D24/187
D733,319	S	*	6/2015	Somers	.....	D24/231
D745,972	S	*	12/2015	Kitayama	.....	D24/187
D749,224	S	*	2/2016	Iritani	.....	D24/187
D763,452	S	*	8/2016	Ryu	.....	D24/187
2008/0255456	A1	*	10/2008	Kye	.....	G10K 11/32 600/459
2015/0320402	A1	*	11/2015	Ryu	.....	A61B 8/14 600/443

\* cited by examiner

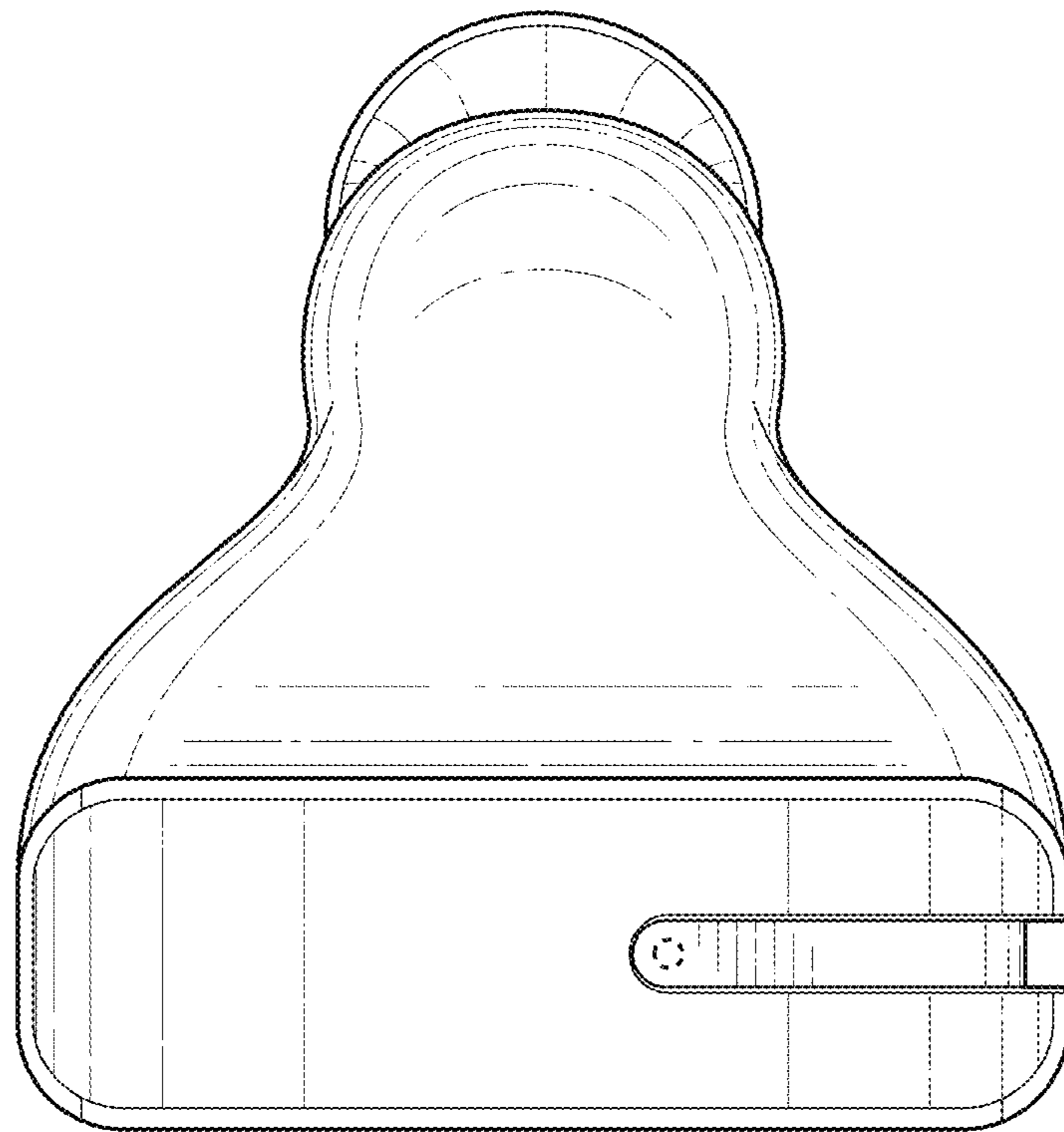


FIG. 1

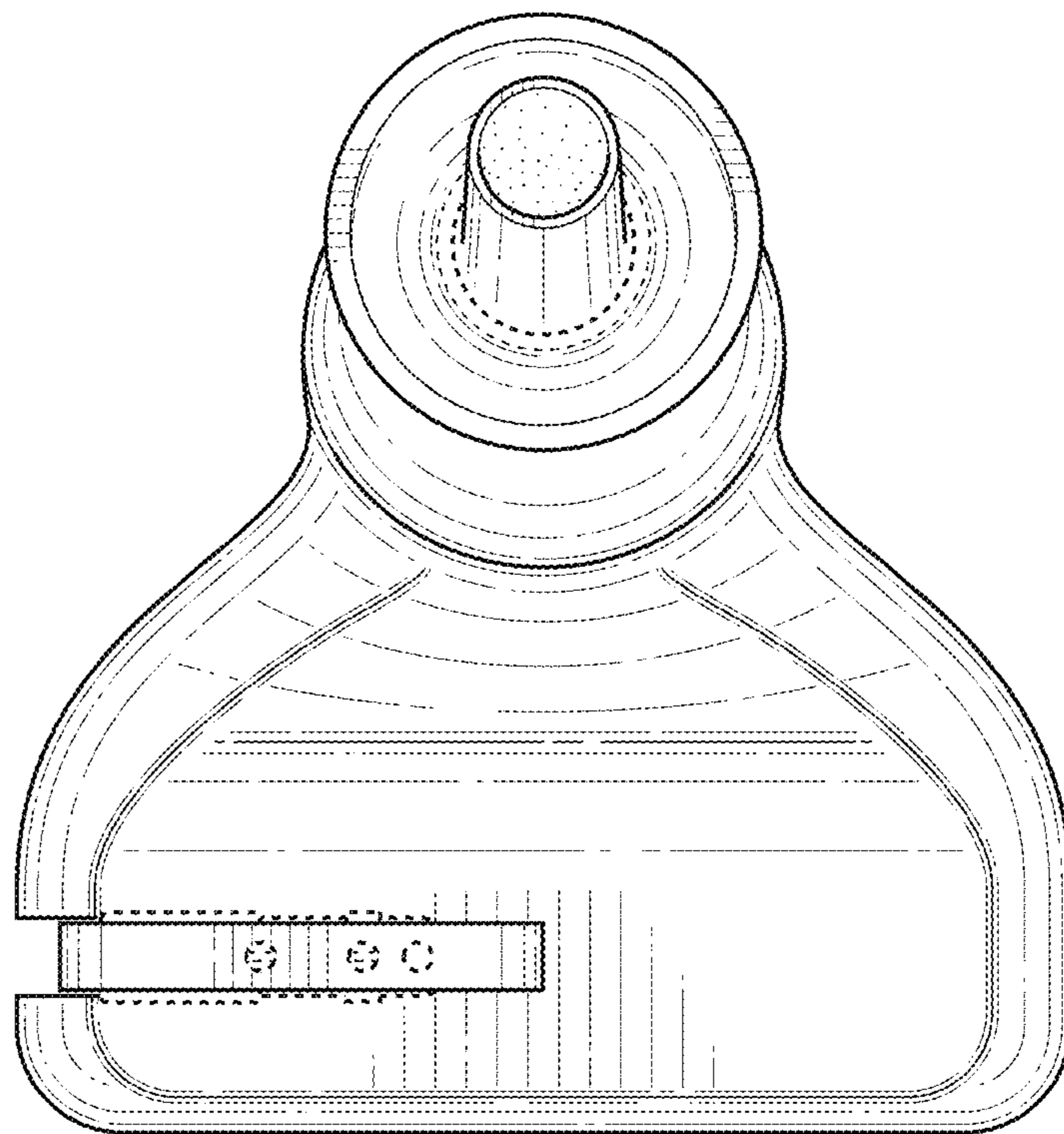


FIG. 2

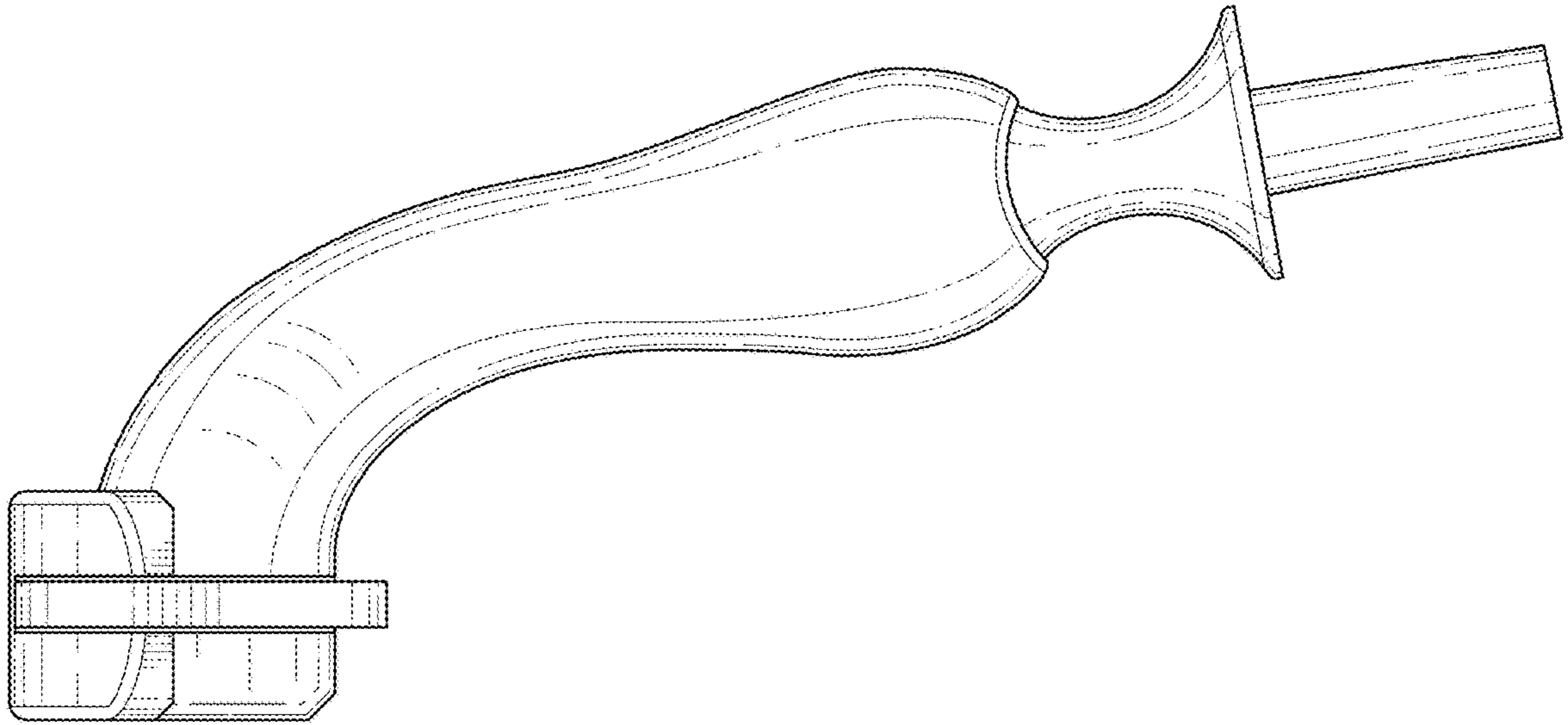


FIG. 3

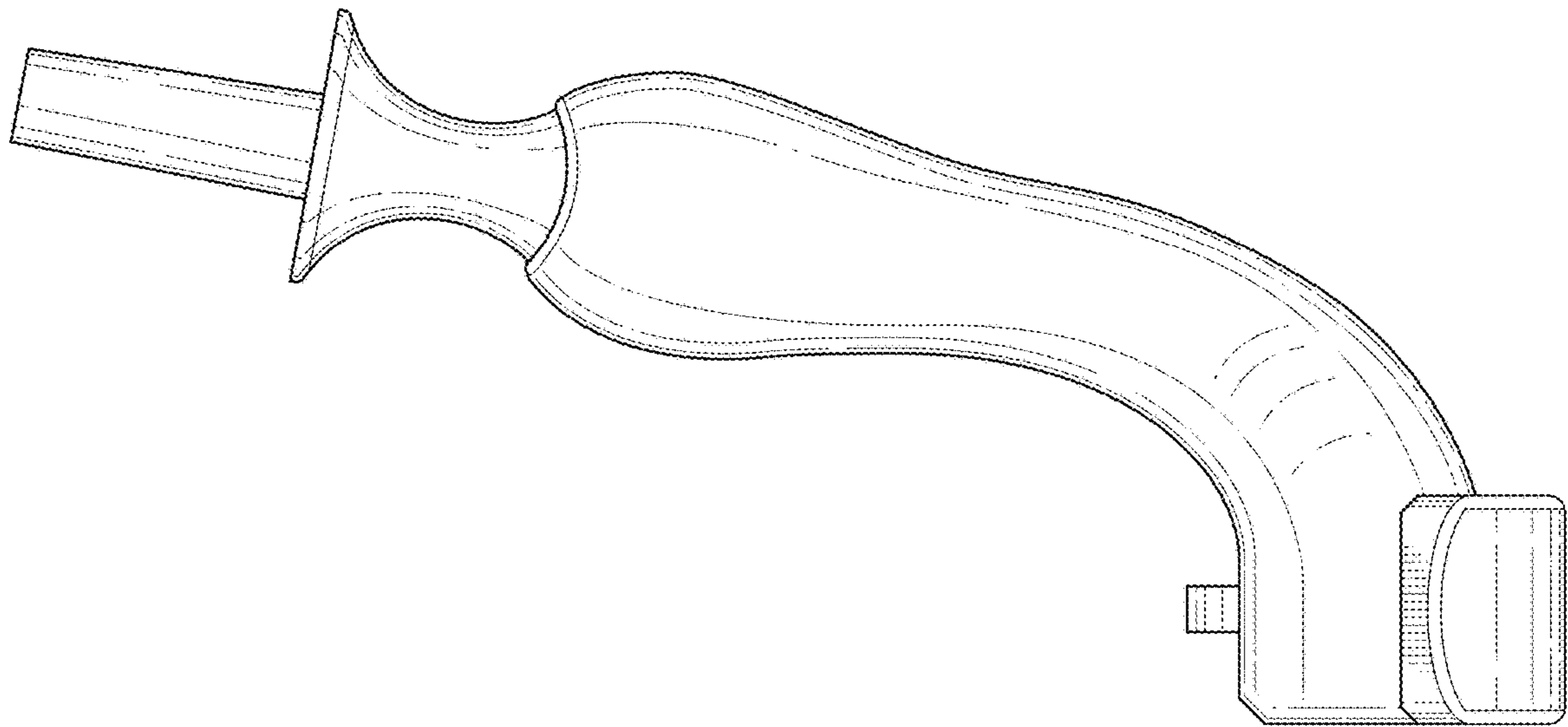


FIG. 4

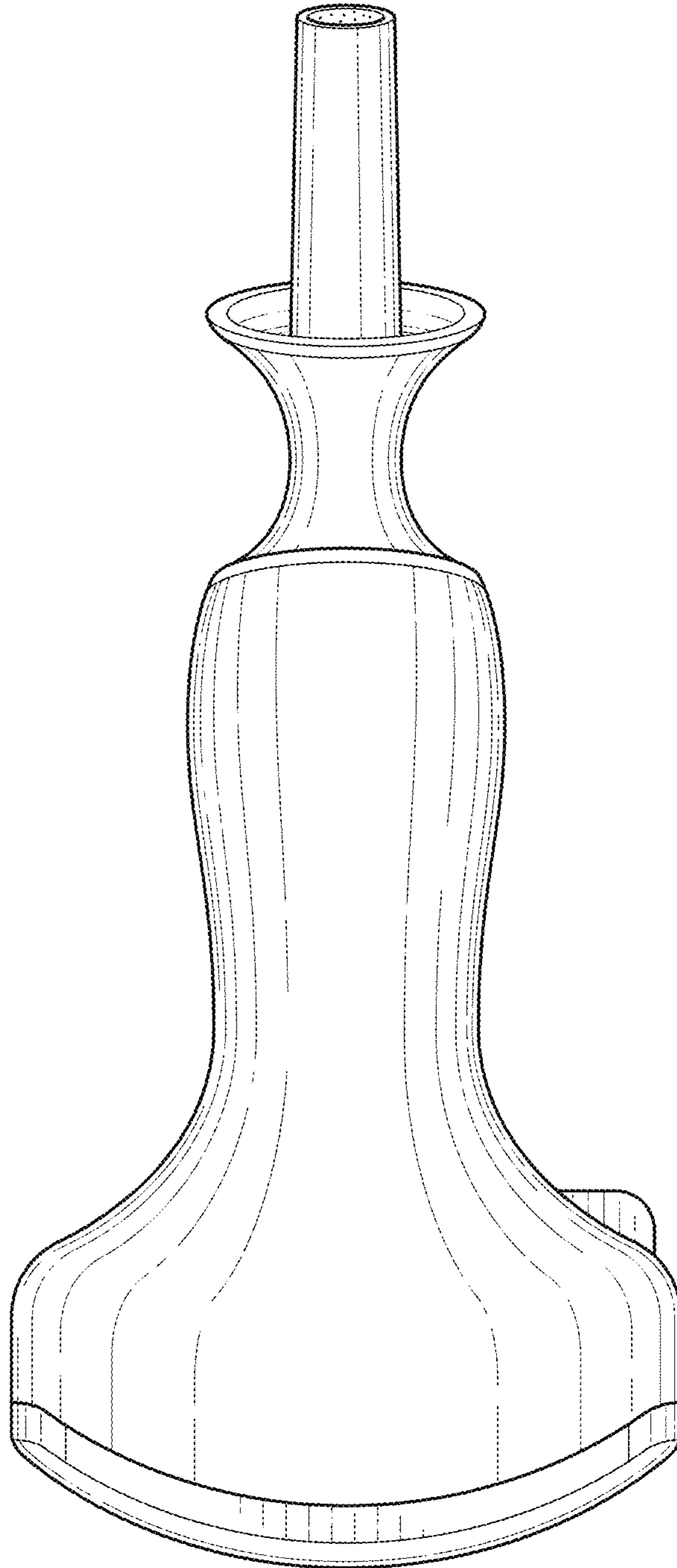
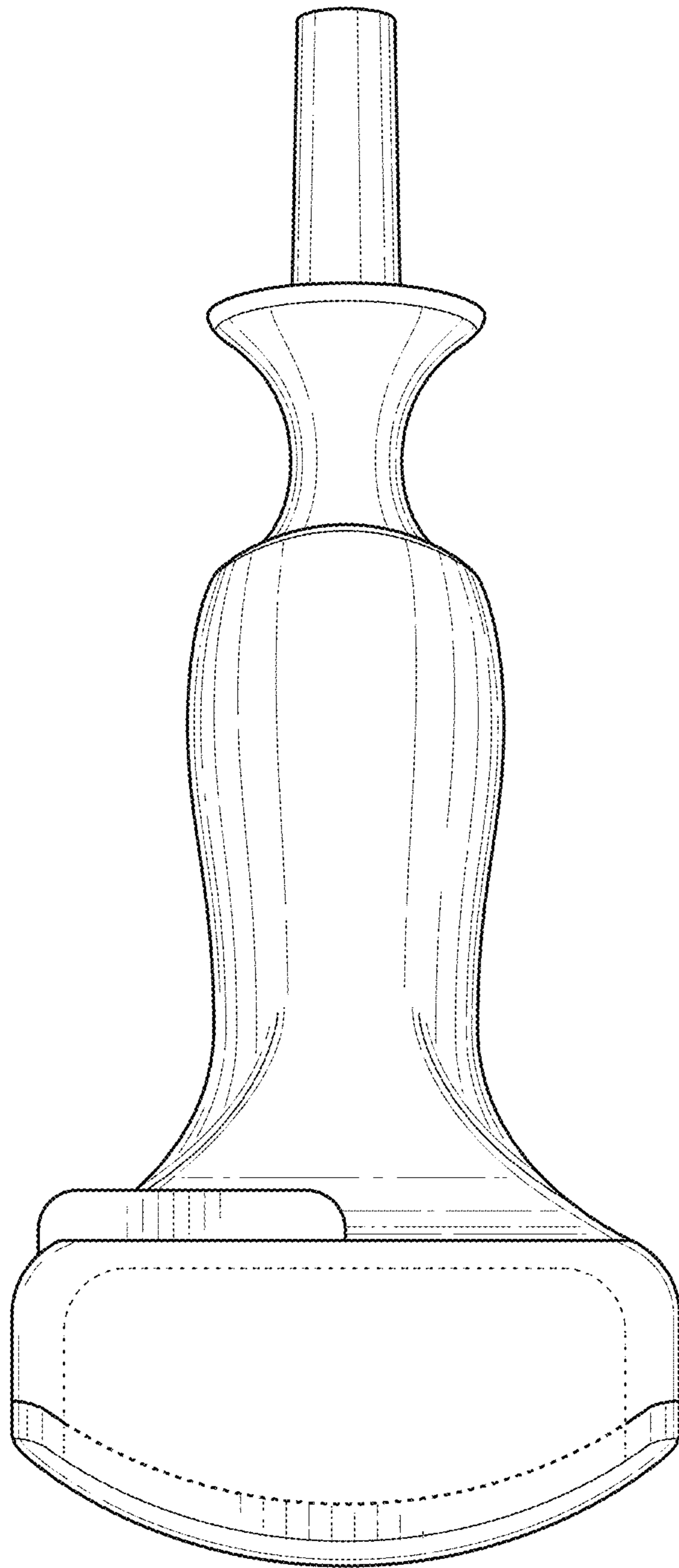


FIG. 5



**FIG. 6**