



US00D790712S

(12) **United States Design Patent**
Walls

(10) **Patent No.:** **US D790,712 S**
(45) **Date of Patent:** **** Jun. 27, 2017**

(54) **INTRA-ORAL DEVICE**
(71) Applicant: **Laura Driessen Walls**, Carlsbad, CA
(US)
(72) Inventor: **Laura Driessen Walls**, Carlsbad, CA
(US)

9,028,250 B2 * 5/2015 Spaulding A61C 7/00
433/147
D734,556 S * 7/2015 Brett D24/181
9,375,289 B1 * 6/2016 Walls A61F 5/566
D760,889 S * 7/2016 Evans D24/110.5
2014/0261465 A1 * 9/2014 Turkbas A63B 71/085
128/862
2016/0184053 A1 * 6/2016 Walls A61F 5/566
128/862

(**) Term: **15 Years**

* cited by examiner

(21) Appl. No.: **29/552,569**

Primary Examiner — Wan Laymon

(22) Filed: **Feb. 4, 2016**

(74) *Attorney, Agent, or Firm* — Eric Hanscom; Todd J. Langford

(51) **LOC (10) Cl.** **24-02**

(57) **CLAIM**

(52) **U.S. Cl.**
USPC **D24/181**

The ornamental design for an intra-oral device, as shown and described.

(58) **Field of Classification Search**
USPC D24/176–182; D29/108
CPC A61F 5/566; A61F 5/56; A61F 2005/563;
A63B 71/085; A61M 16/049; A61C 7/00;
A61C 7/08; A61C 7/36; A61C 19/063;
A61B 5/682

DESCRIPTION

See application file for complete search history.

FIG. 1 is a perspective view of an intra-oral device showing my new design;
FIG. 2 is a front view thereof;
FIG. 3 is a back view thereof;
FIG. 4 is a right-side view thereof;
FIG. 5 is a left-side view thereof;
FIG. 6 is a top view thereof; and,
FIG. 7 is a bottom view thereof.

The application relates to the design of an intra-oral device which is used for treatment of various dental and chewing issues.

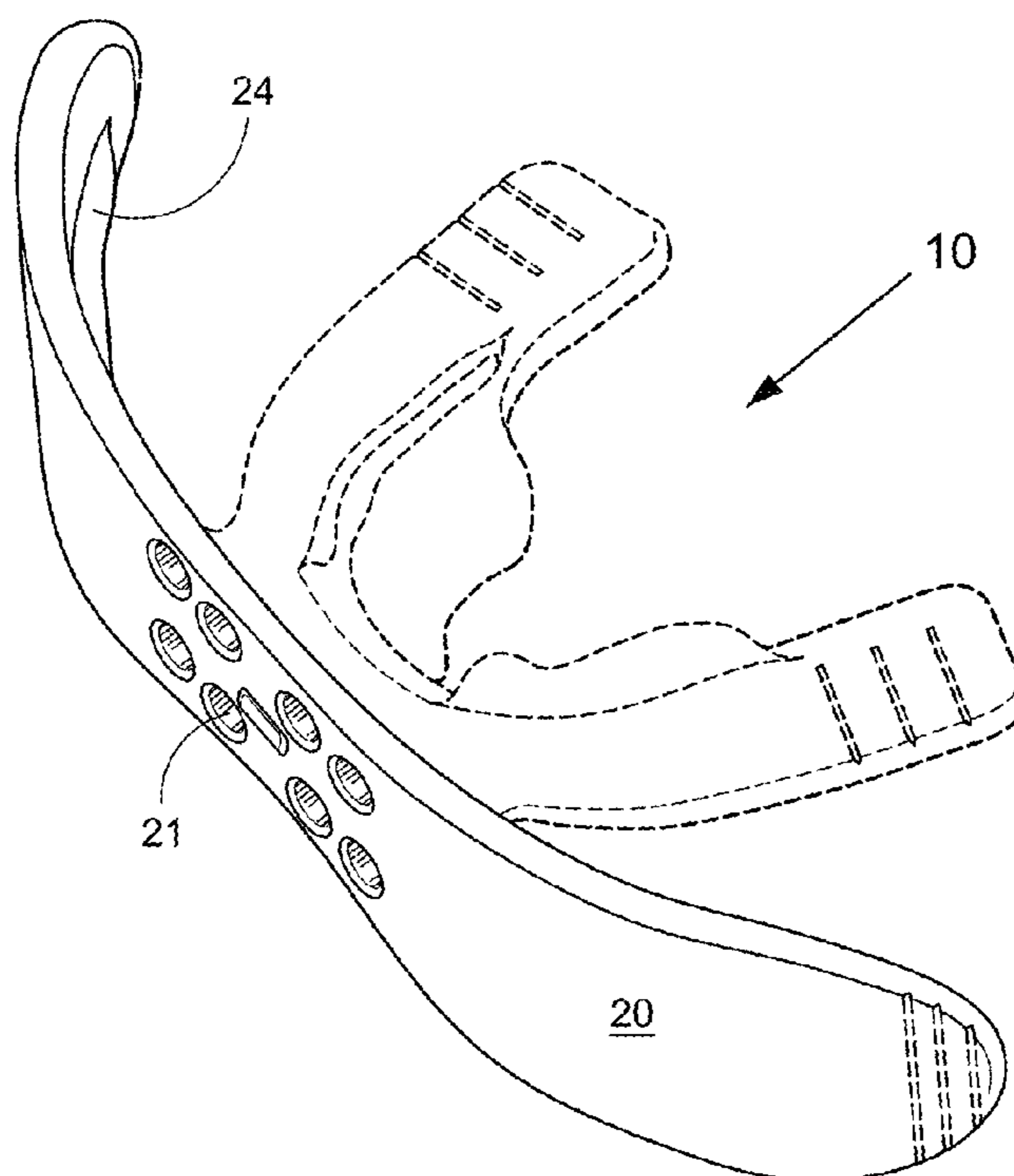
The dashed lines in the aforementioned drawings are not meant to be part of the claimed invention, and are specifically disclaimed.

(56) **References Cited**

U.S. PATENT DOCUMENTS

3,768,465 A * 10/1973 Helmer A63B 71/085
128/862
5,353,810 A * 10/1994 Kittelsen A63B 71/085
128/859
5,720,302 A * 2/1998 Belfer A61F 5/566
128/848
7,954,496 B2 * 6/2011 Jansheski A61F 5/566
128/848

1 Claim, 4 Drawing Sheets



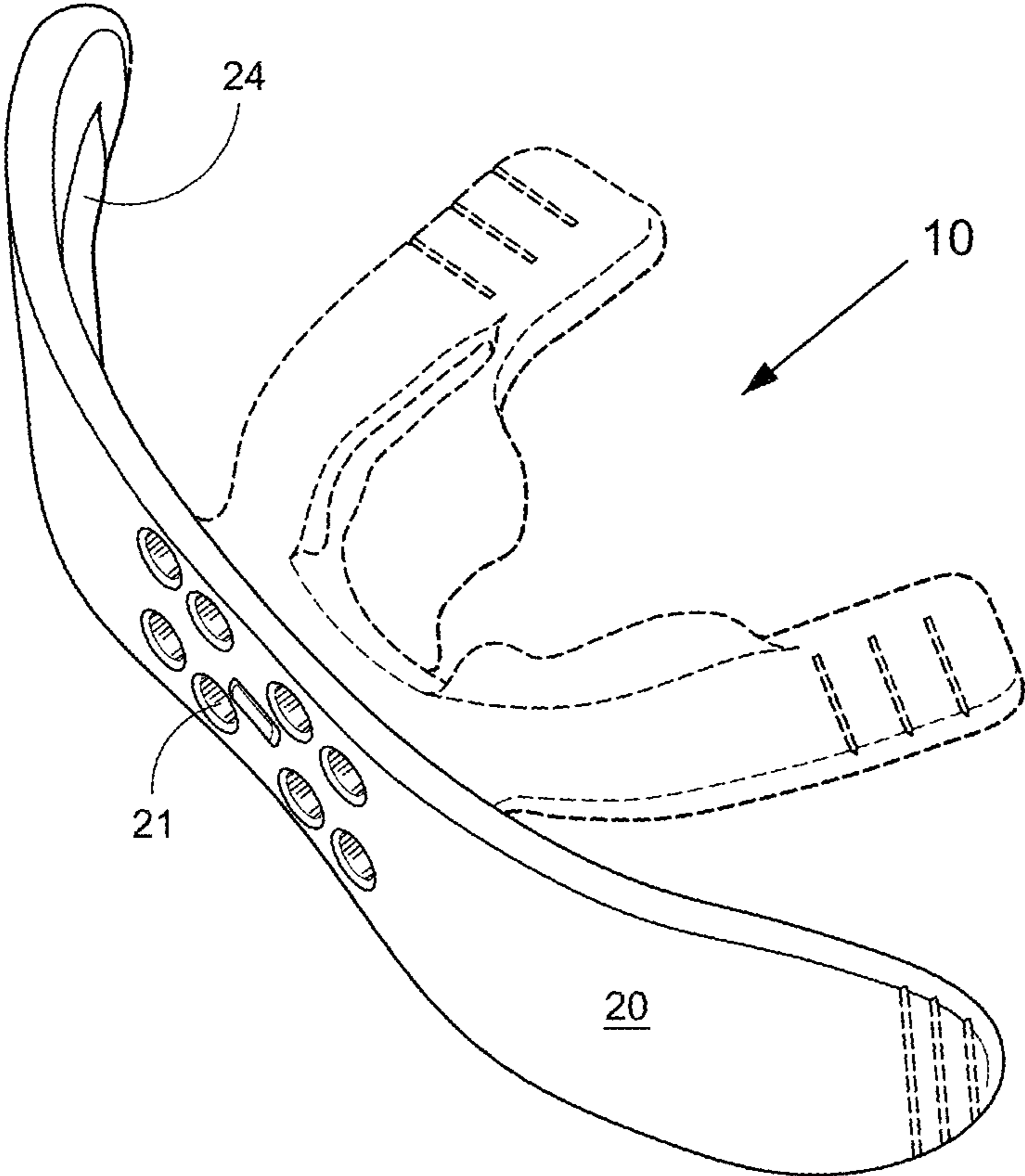


FIGURE 1

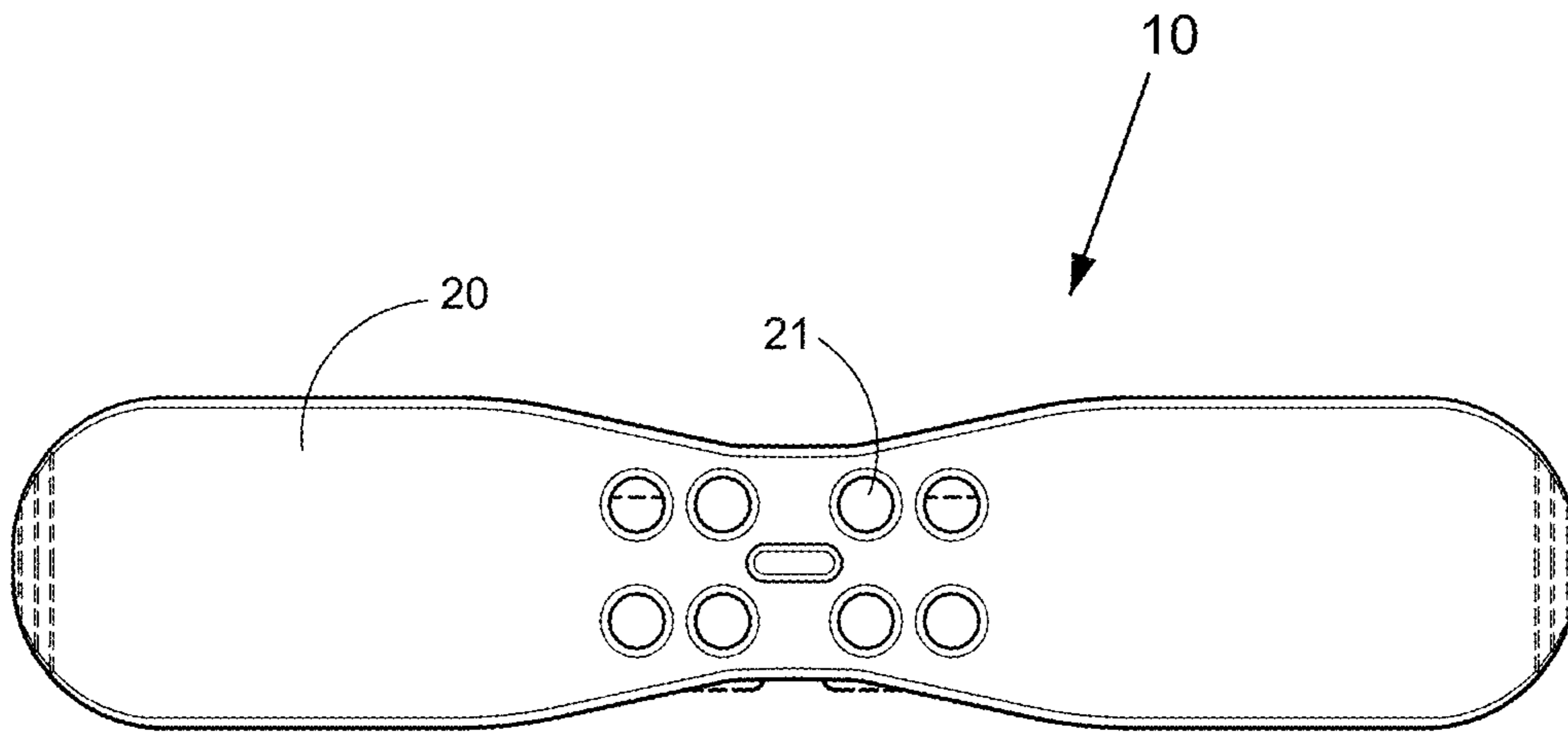


FIGURE 2

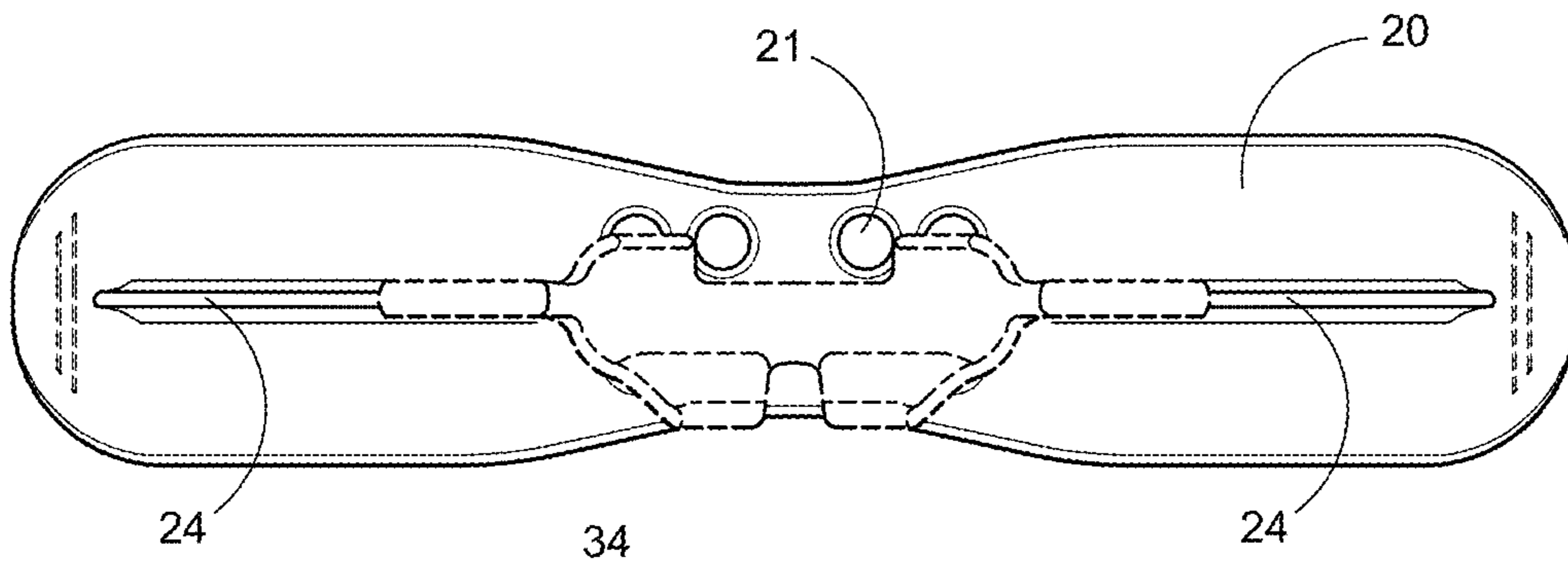


FIGURE 3



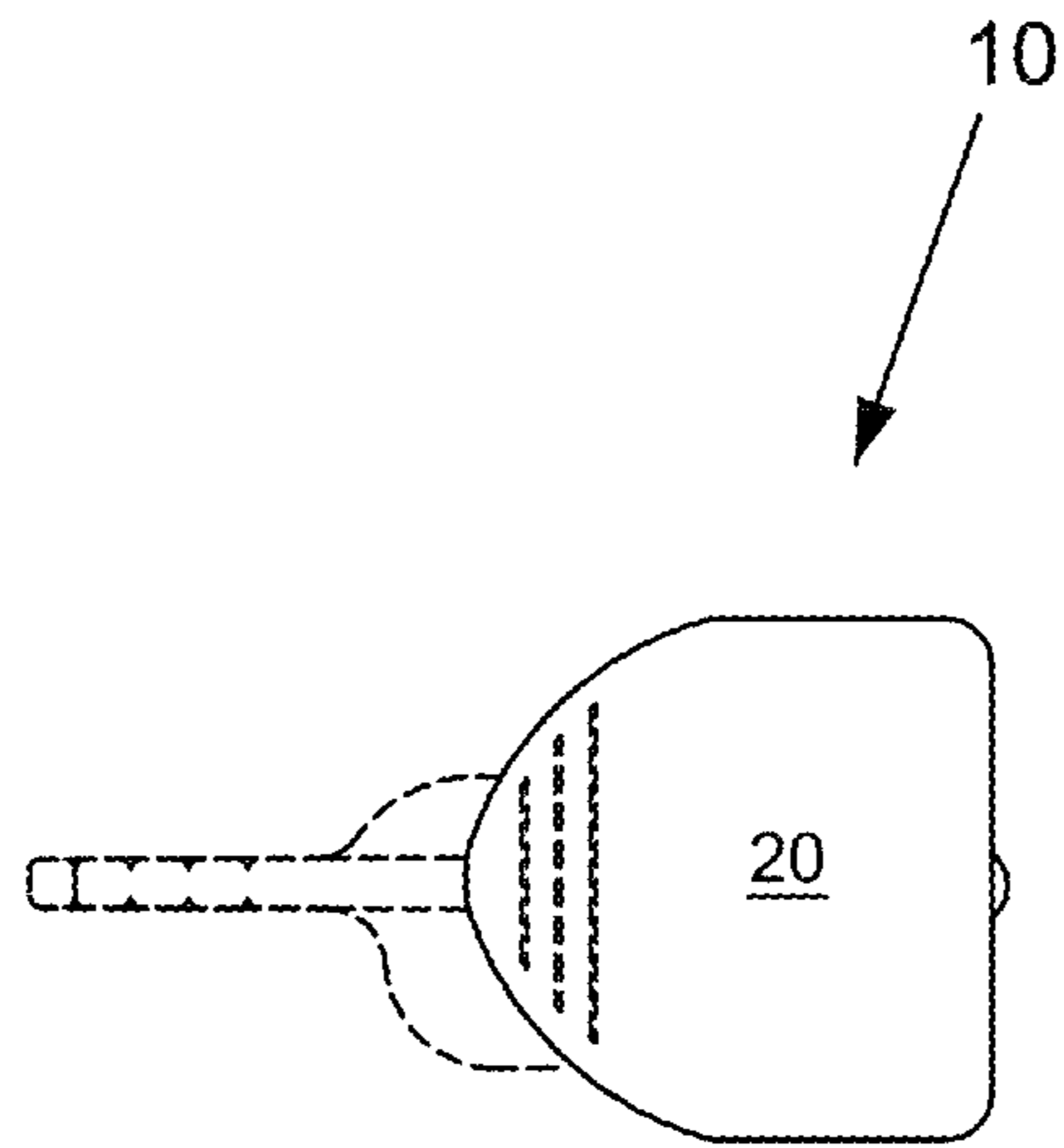


FIGURE 4

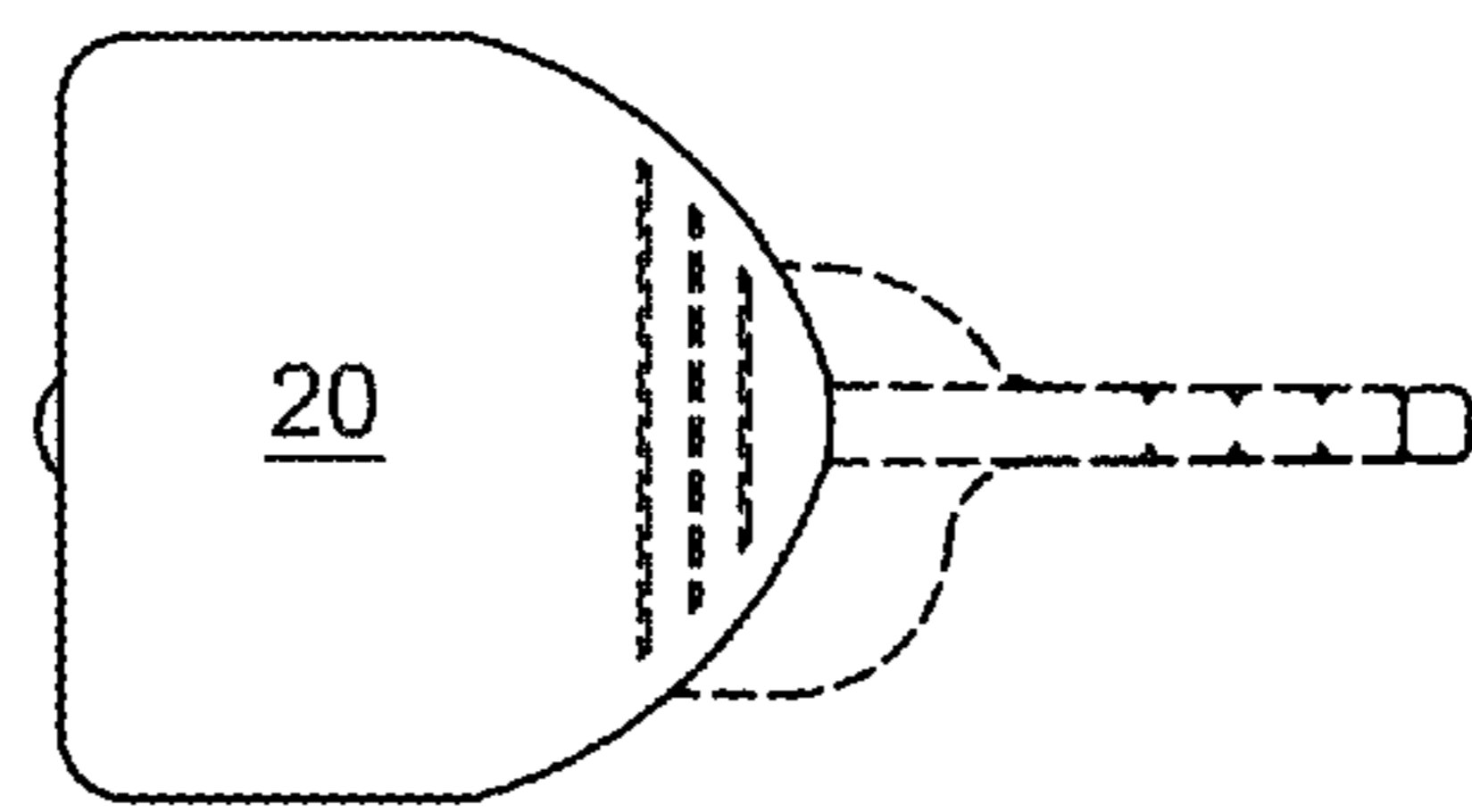


FIGURE 5



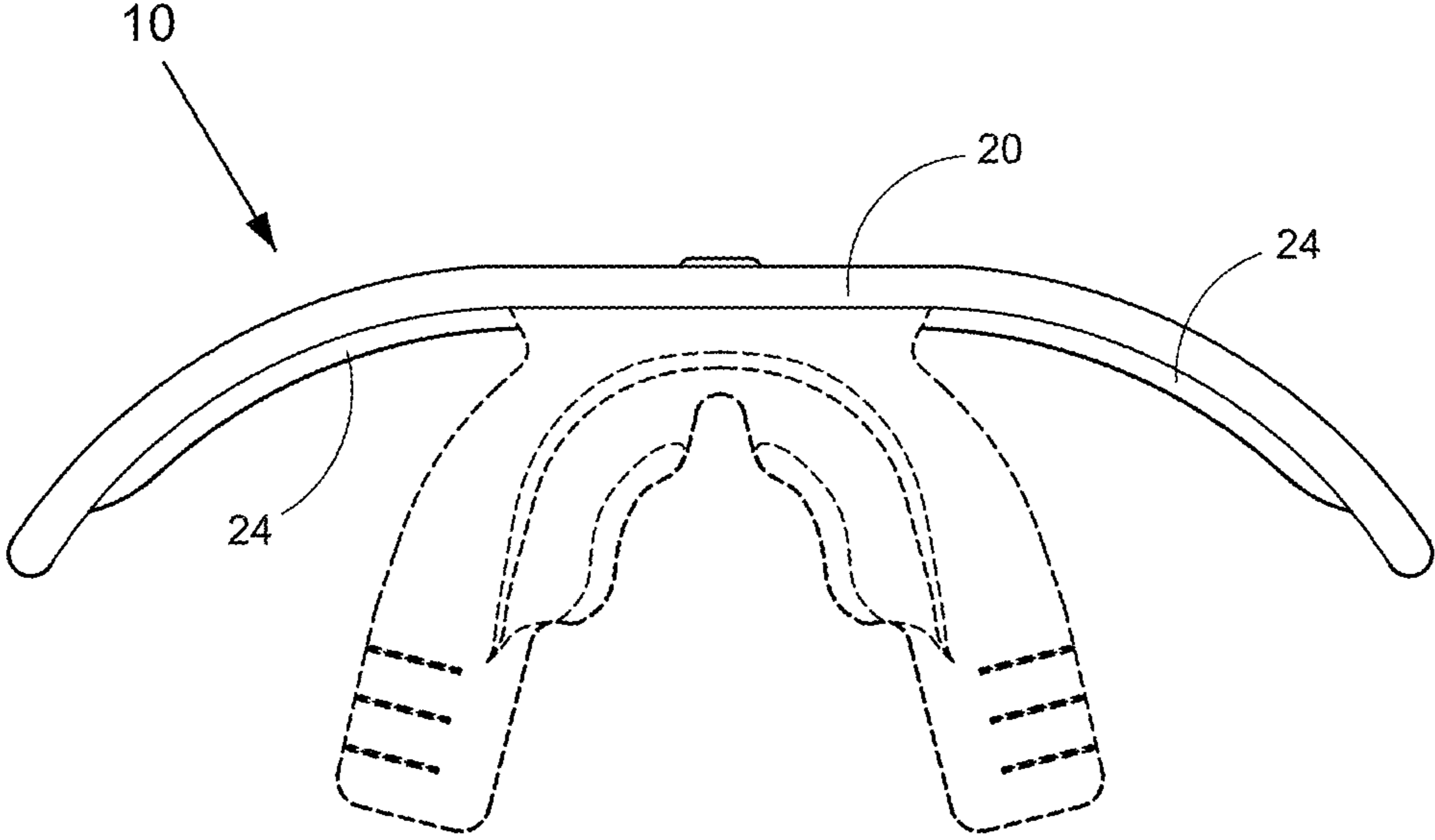


FIGURE 6

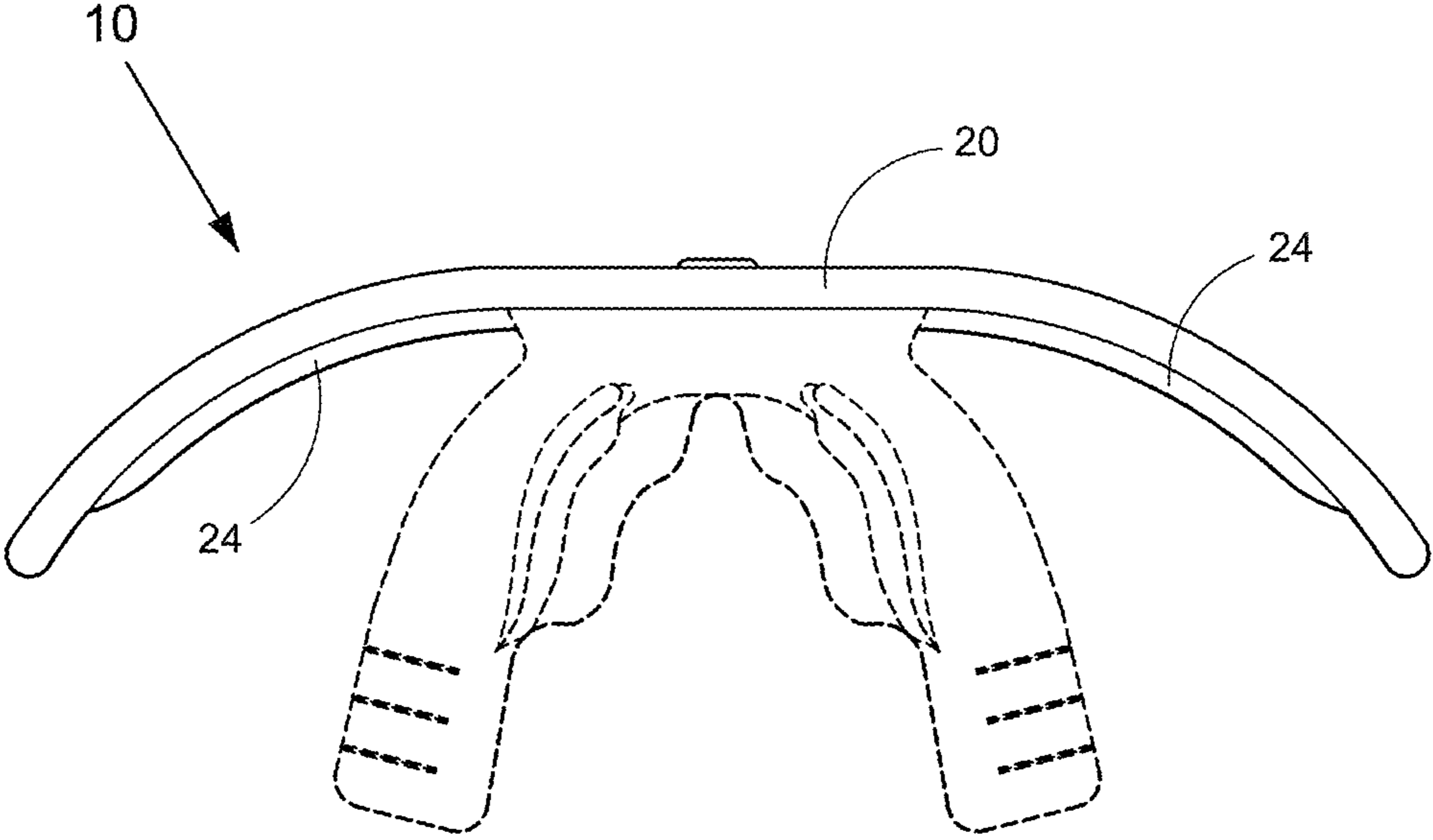


FIGURE 7