



US00D790711S

(12) **United States Design Patent**
Kaz et al.

(10) **Patent No.:** **US D790,711 S**
(45) **Date of Patent:** **** Jun. 27, 2017**

(54) **FEEDBACK SYSTEM FOR CHEST
COMPRESSIONS**

(71) Applicant: **Karl Kuefner GmbH & Co. KG,**
Albstadt-Truchtelfingen (DE)

(72) Inventors: **Steffen Kaz,** Milan (IT); **Rolf Bronner,**
Baden-Baden (DE)

(73) Assignee: **Karl Kuefner GmbH & Co. KG,**
Albstadt-Truchtelfingen (DE)

(**) Term: **14 Years**

(21) Appl. No.: **29/526,501**

(22) Filed: **May 11, 2015**

(30) **Foreign Application Priority Data**

Nov. 12, 2014 (DE) 40 2014 101 076

(51) **LOC (10) Cl.** **24-01**

(52) **U.S. Cl.**
USPC **D24/167**

(58) **Field of Classification Search**
USPC D24/165-169, 186, 187, 107, 164, 110,
D24/110.5
CPC ... A61B 5/0833; A61B 5/0836; A61B 5/0871;
A61B 5/097; A61B 5/742
See application file for complete search history.

(56) **References Cited**

U.S. PATENT DOCUMENTS

5,924,994 A * 7/1999 Harbrecht A61B 5/087
600/532
D423,101 S * 4/2000 Durst D24/164
D489,129 S * 4/2004 King D24/110

D609,813 S * 2/2010 Molden D24/167
D743,561 S * 11/2015 Maisch D24/186
D764,059 S * 8/2016 Browne D24/167
2007/0093725 A1 * 4/2007 Shaw A61B 5/097
600/543
2014/0106324 A1 * 4/2014 Adams A61B 5/087
434/262
2015/0238722 A1 * 8/2015 Al-Ali A61B 5/0836
128/205.13
2015/0327807 A1 * 11/2015 Bronner A61B 5/4836
600/531

* cited by examiner

Primary Examiner — Anhdao Doan

(74) *Attorney, Agent, or Firm* — Collard & Roe, P.C.

(57) **CLAIM**

The ornamental design for a feedback system for chest compressions, as shown and described.

DESCRIPTION

The patent or application file contains at least one drawing executed in color. Copies of this patent or patent application publication with color drawing(s) will be provided by the Office upon request and payment of the necessary fee.
FIG. 1 is a front and top perspective view of a feedback system for chest compressions, showing our new design;
FIG. 2 is a rear view thereof;
FIG. 3 is a left side view thereof, with the right side view being a mirror image;
FIG. 4 is a front view thereof, with the electronic display turned off;
FIG. 5 is a bottom view thereof; and,
FIG. 6 is a top view thereof.

1 Claim, 6 Drawing Sheets
(6 of 6 Drawing Sheet(s) Filed in Color)

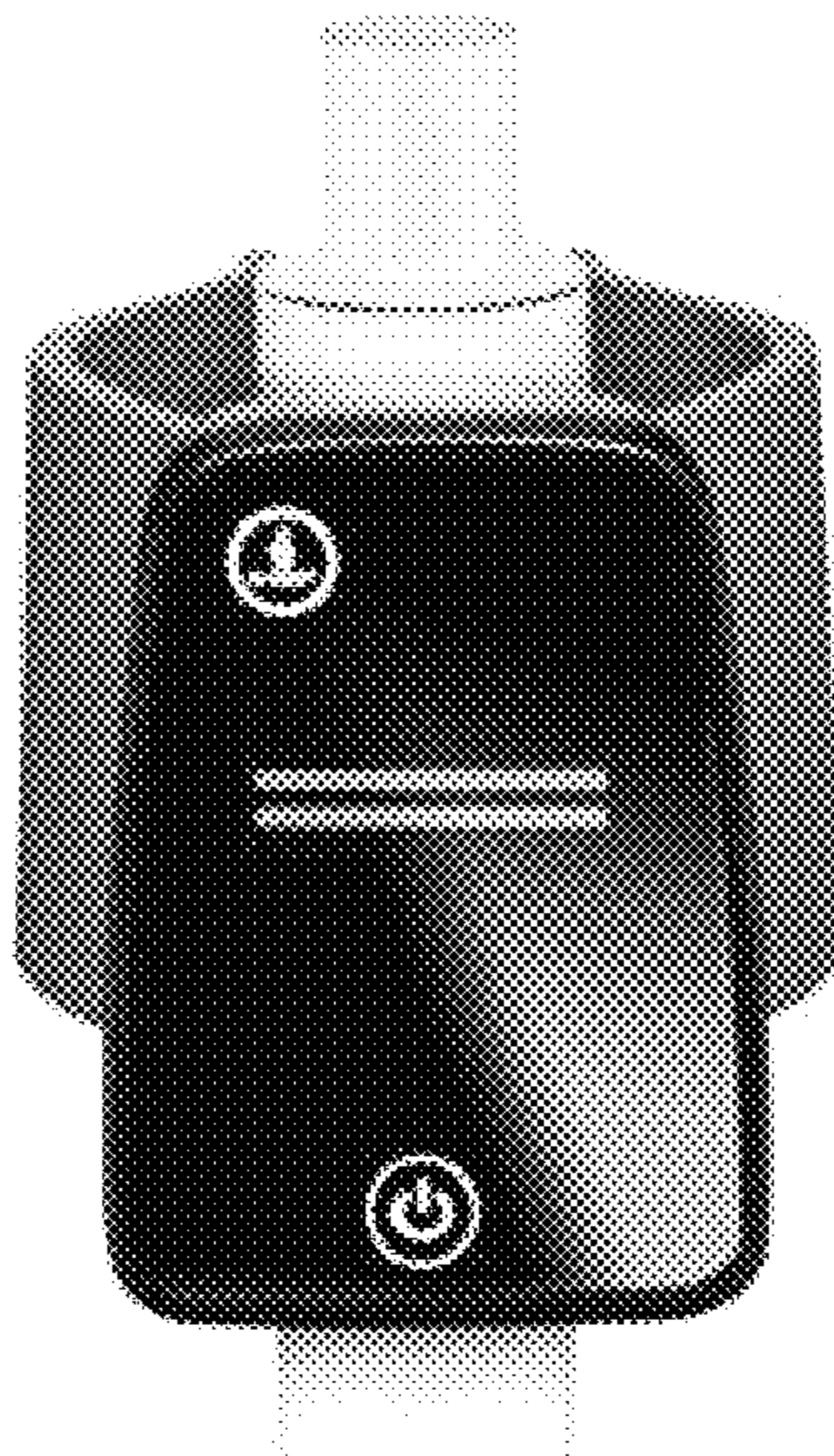




FIG. 1

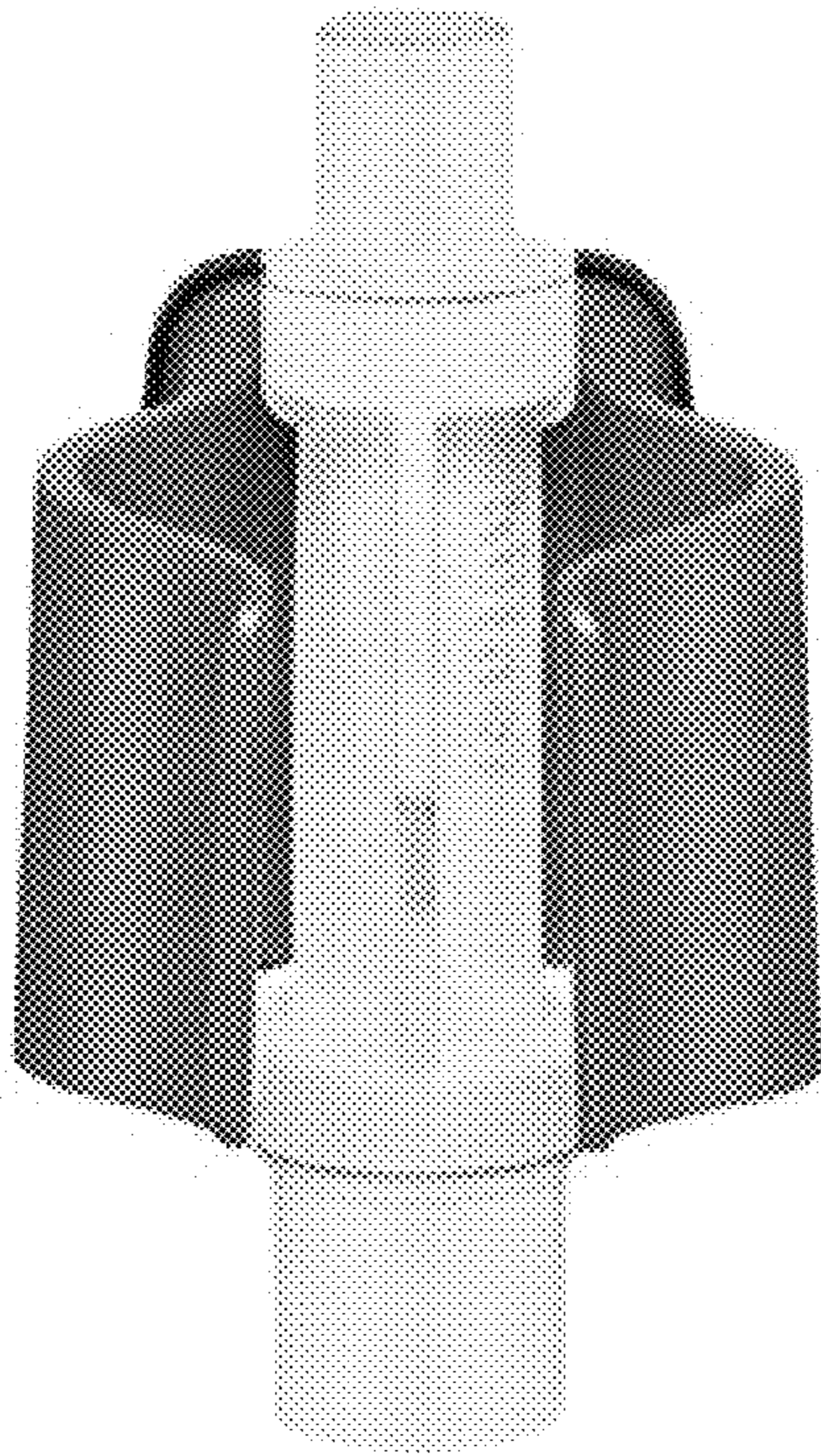


FIG. 2

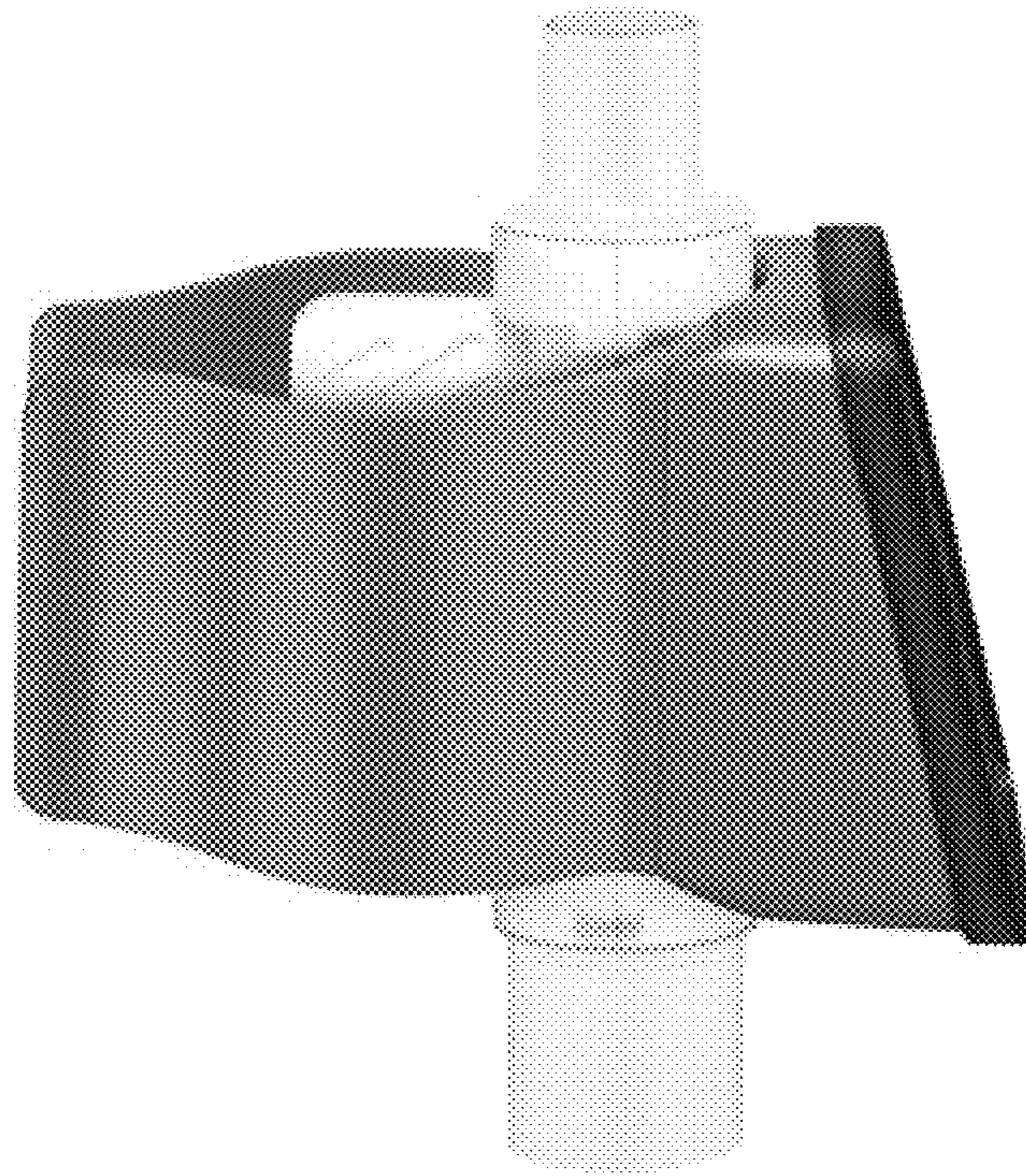


Fig. 3

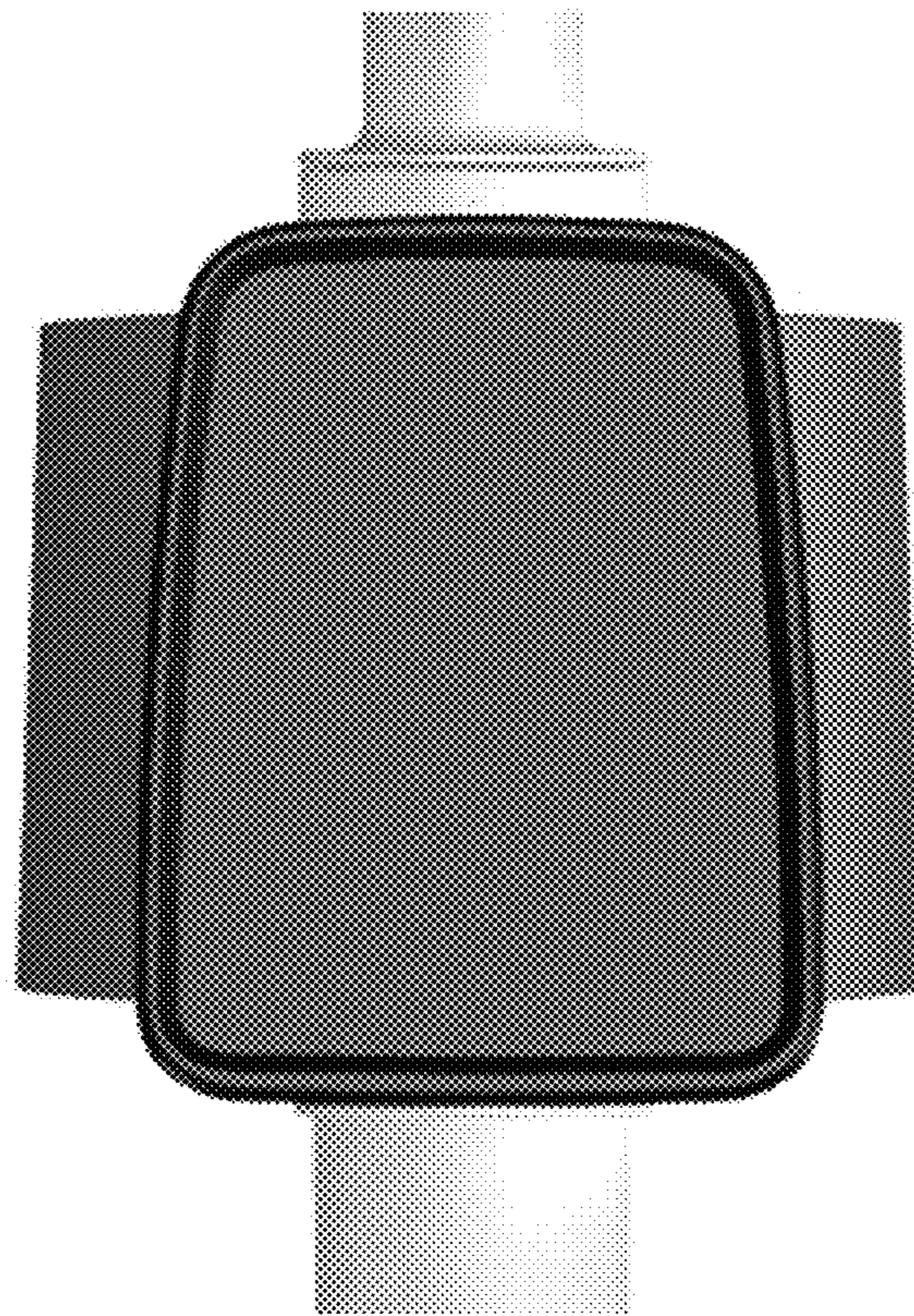


Fig. 4



Fig. 5

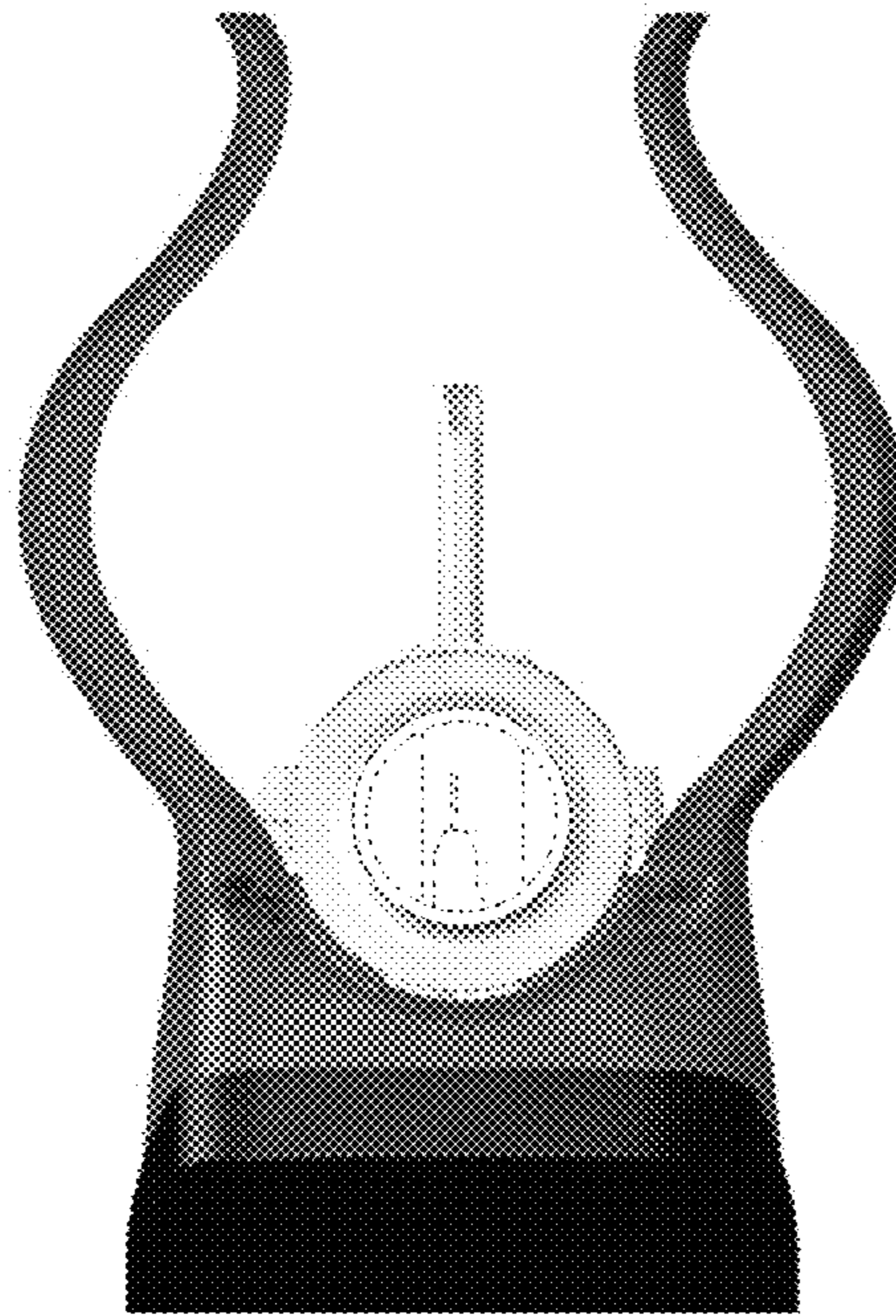


Fig. 6