



US00D790710S

(12) **United States Design Patent**
Kim

(10) **Patent No.:** **US D790,710 S**
(45) **Date of Patent:** **** Jun. 27, 2017**

(54) **X-RAY APPARATUS**

(71) Applicant: **Samsung Electronics Co., Ltd.**,
Suwon-si (KR)

(72) Inventor: **Euisik Kim**, Seoul (KR)

(73) Assignee: **Samsung Electronics Co., Ltd.**,
Suwon-si (KR)

(**) Term: **15 Years**

(21) Appl. No.: **29/551,242**

(22) Filed: **Jan. 12, 2016**

(30) **Foreign Application Priority Data**

Sep. 8, 2015 (KR) 30-2015-0045556

(51) **LOC (10) Cl.** **24-01**

(52) **U.S. Cl.**
USPC **D24/158**

(58) **Field of Classification Search**
USPC D24/158-161, 186, 107, 185; D13/162,
D13/163, 171
CPC .. A61B 5/05; A61B 5/055; A61B 6/03; A61B
6/035; A61B 6/4405; A61B 6/4411; A61B
6/4435; A61B 6/4441; A61B 6/4447
See application file for complete search history.

(56) **References Cited**

U.S. PATENT DOCUMENTS

D630,751 S * 1/2011 Yanase D24/158
D650,482 S * 12/2011 Kim D24/158
D685,093 S * 6/2013 Shimizu D24/158
D690,011 S * 9/2013 Yanase D24/158

D713,961 S * 9/2014 Yokoyama D24/158
D718,282 S * 11/2014 Bennett D13/163
D723,693 S * 3/2015 Banryu D24/158
D727,506 S * 4/2015 Tan D24/158
2010/0329426 A1* 12/2010 Oda A61B 6/4283
378/98.2

FOREIGN PATENT DOCUMENTS

EM 000569058-0001 9/2006
EM 002313874-0001 9/2013
KR 30-2014-0026472 2/2015

* cited by examiner

Primary Examiner — Anhdao Doan

(74) *Attorney, Agent, or Firm* — NSIP Law

(57) **CLAIM**

I claim the ornamental design for an x-ray apparatus, as shown and described.

DESCRIPTION

FIG. 1 is a front perspective view of an x-ray apparatus showing my new design;
FIG. 2 is a front view thereof;
FIG. 3 is a rear view thereof;
FIG. 4 is a left-side view thereof;
FIG. 5 is a right-side view thereof;
FIG. 6 is a top view thereof;
FIG. 7 is a bottom view thereof;
FIG. 8 is a rear perspective view of the x-ray apparatus shown in an alternate configuration; and,
FIG. 9 is an enlarged view of the encircled portion in FIG. 8.

The broken lines in the figures show portions of the x-ray apparatus which form no part of the claimed design.

1 Claim, 9 Drawing Sheets

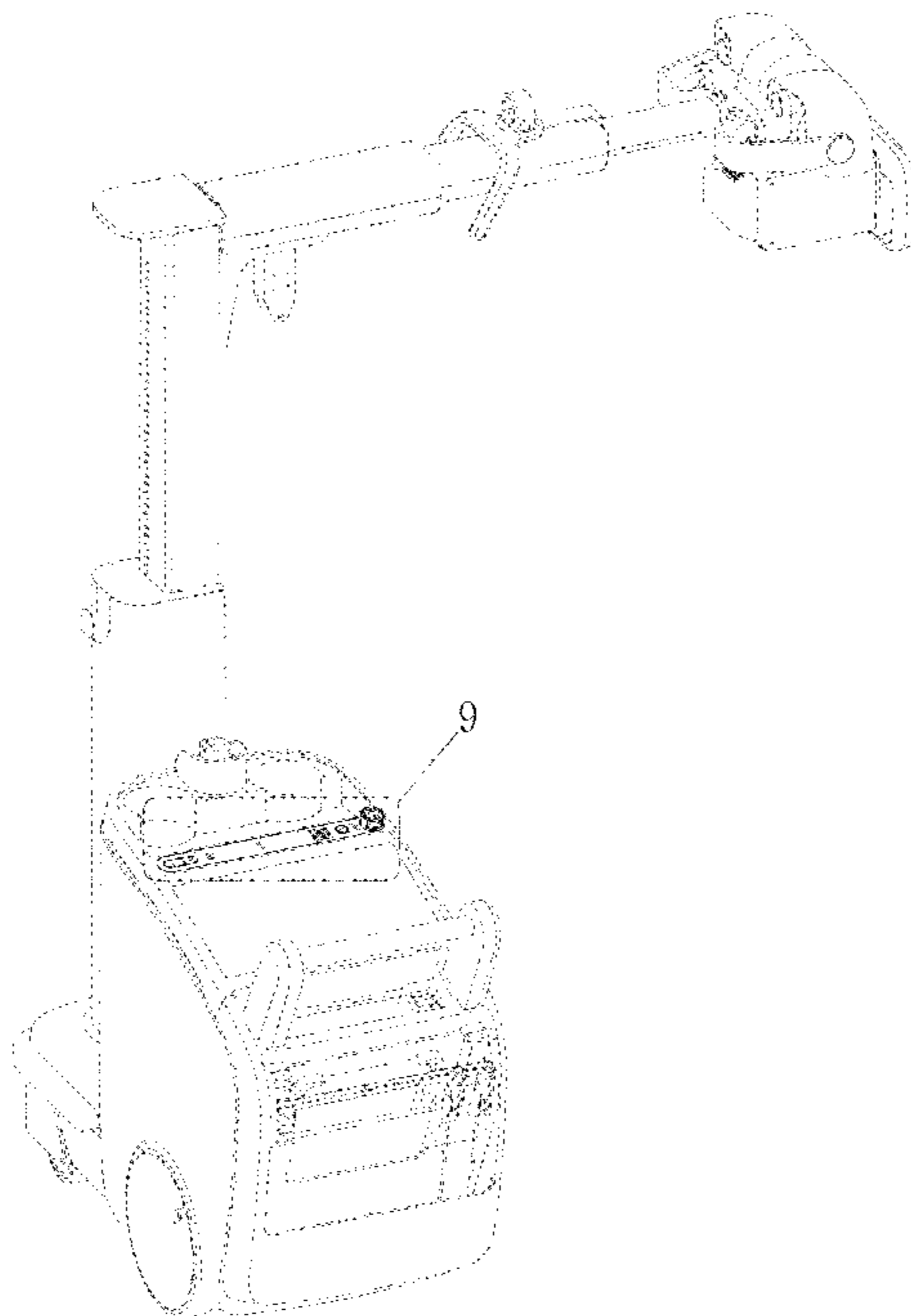


FIG. 1

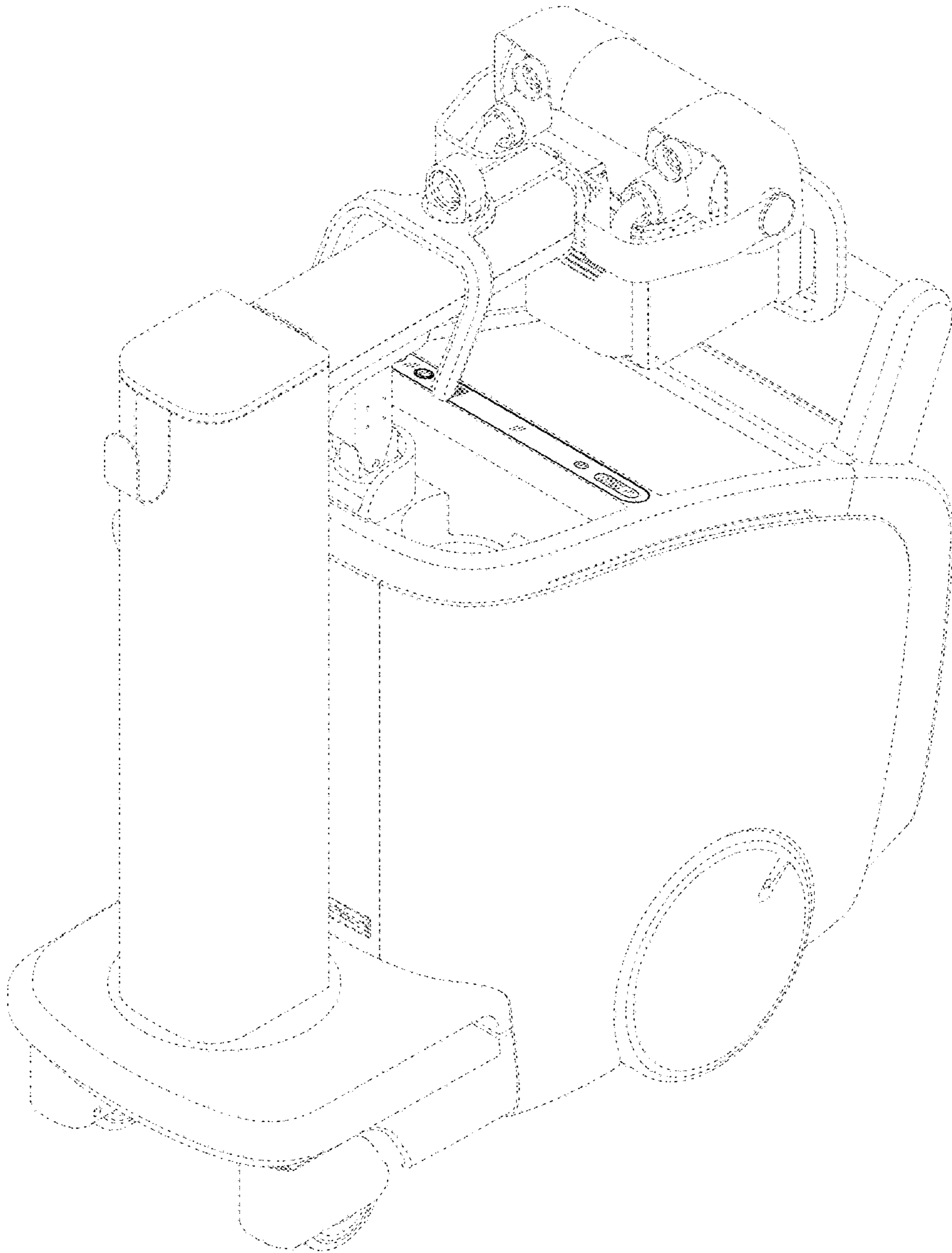


FIG. 2

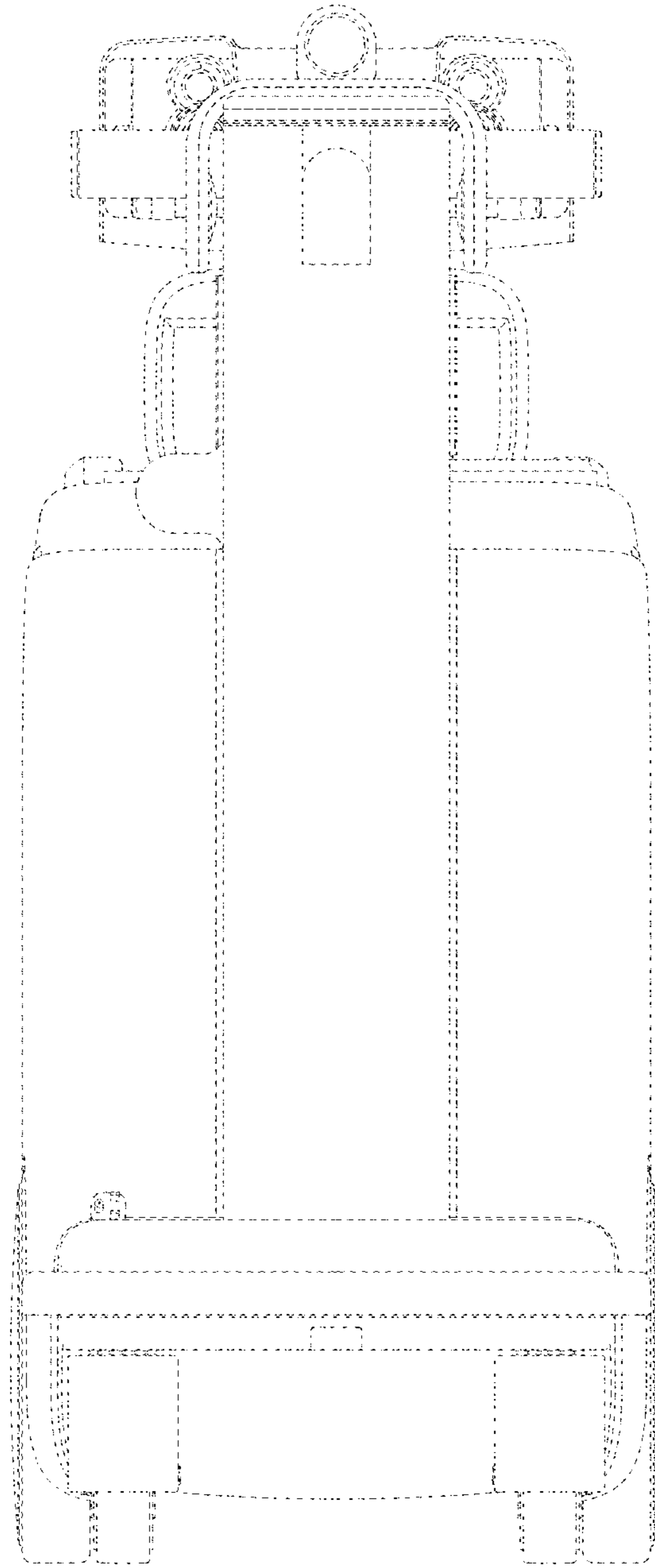


FIG. 3

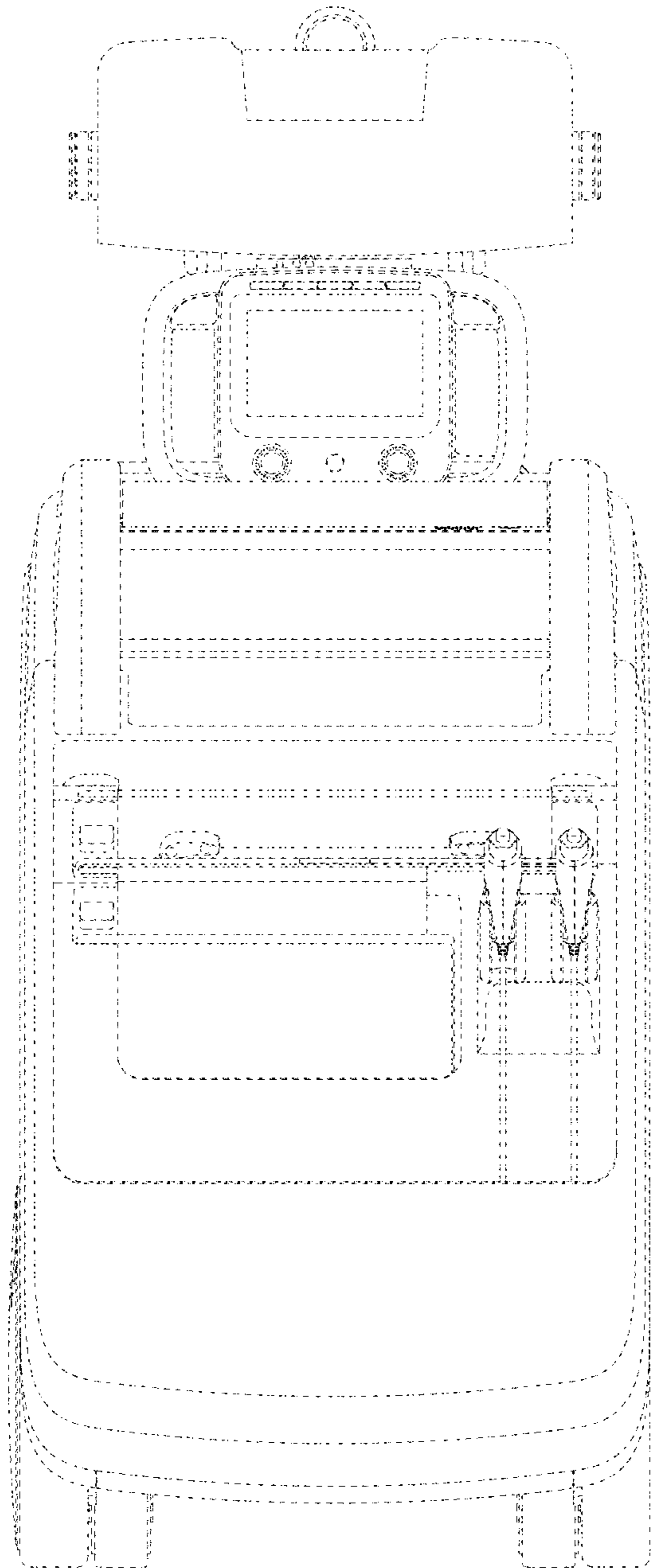


FIG. 4

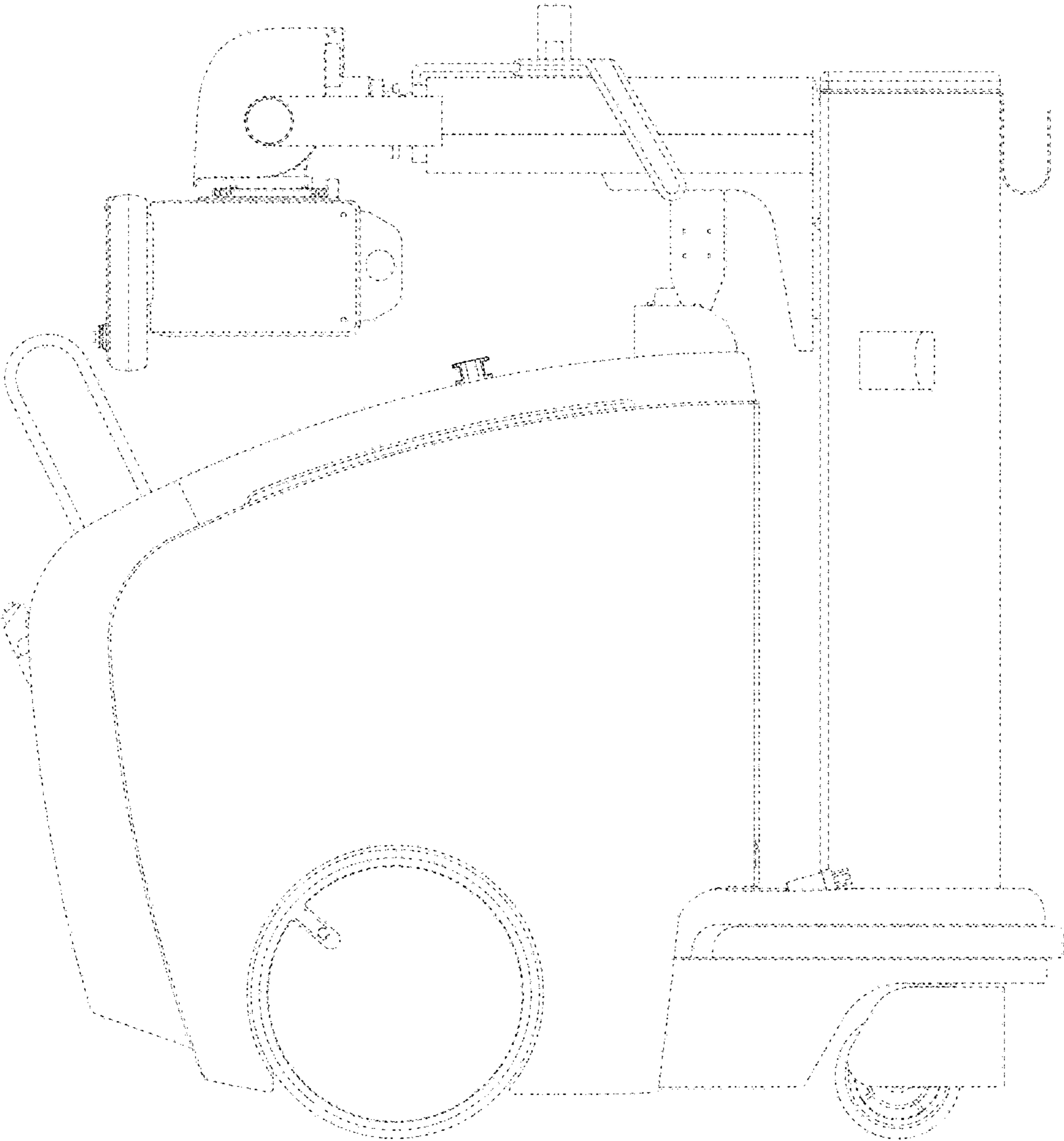


FIG. 5

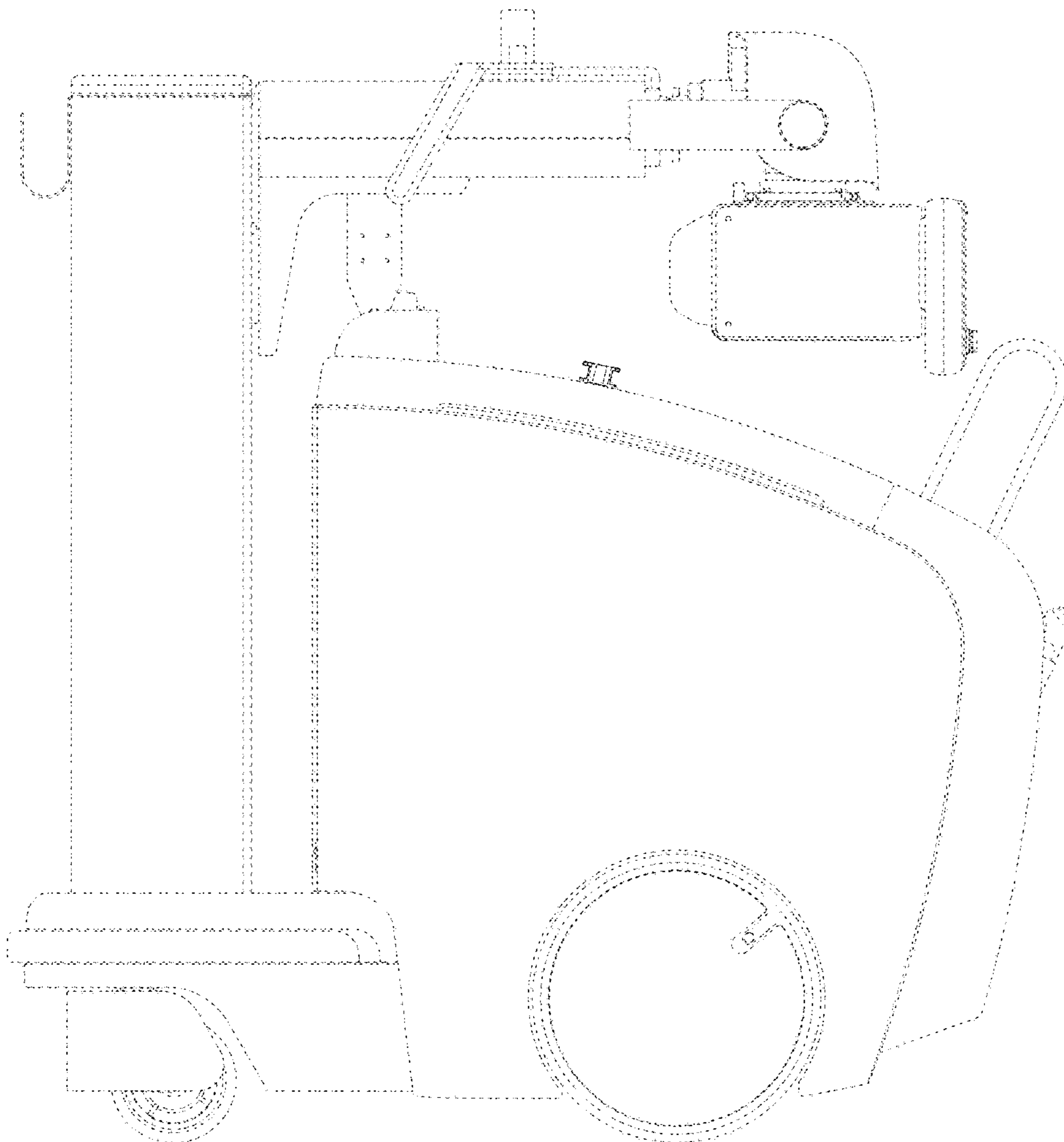


FIG. 6

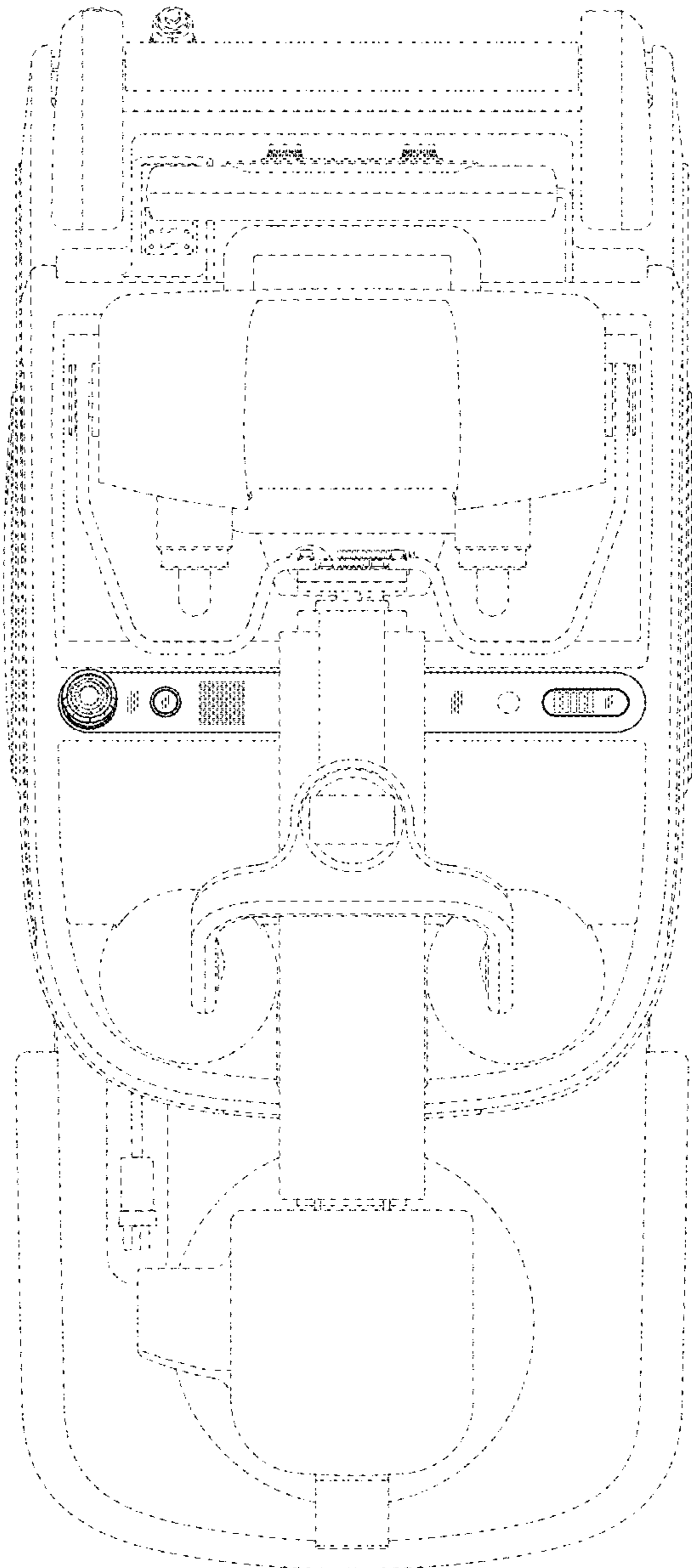


FIG. 7

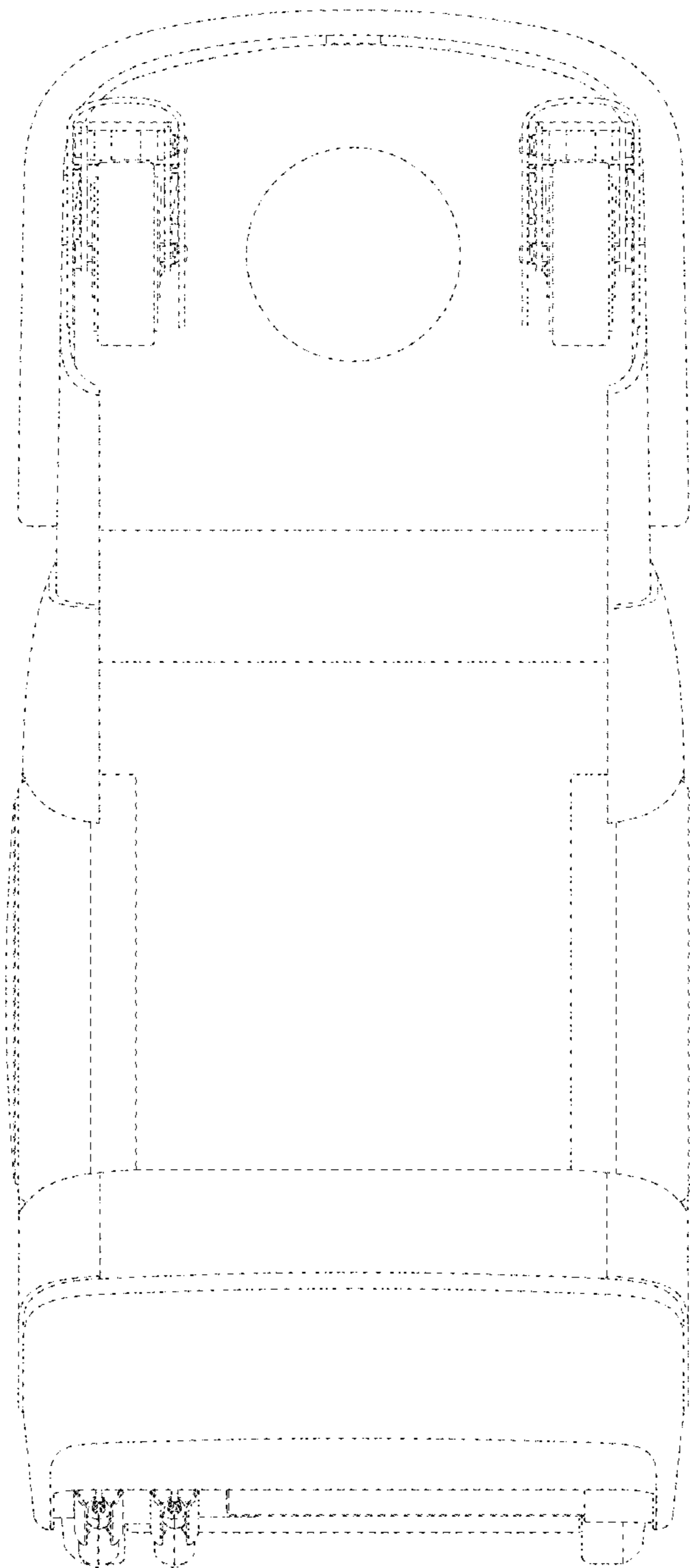


FIG. 8

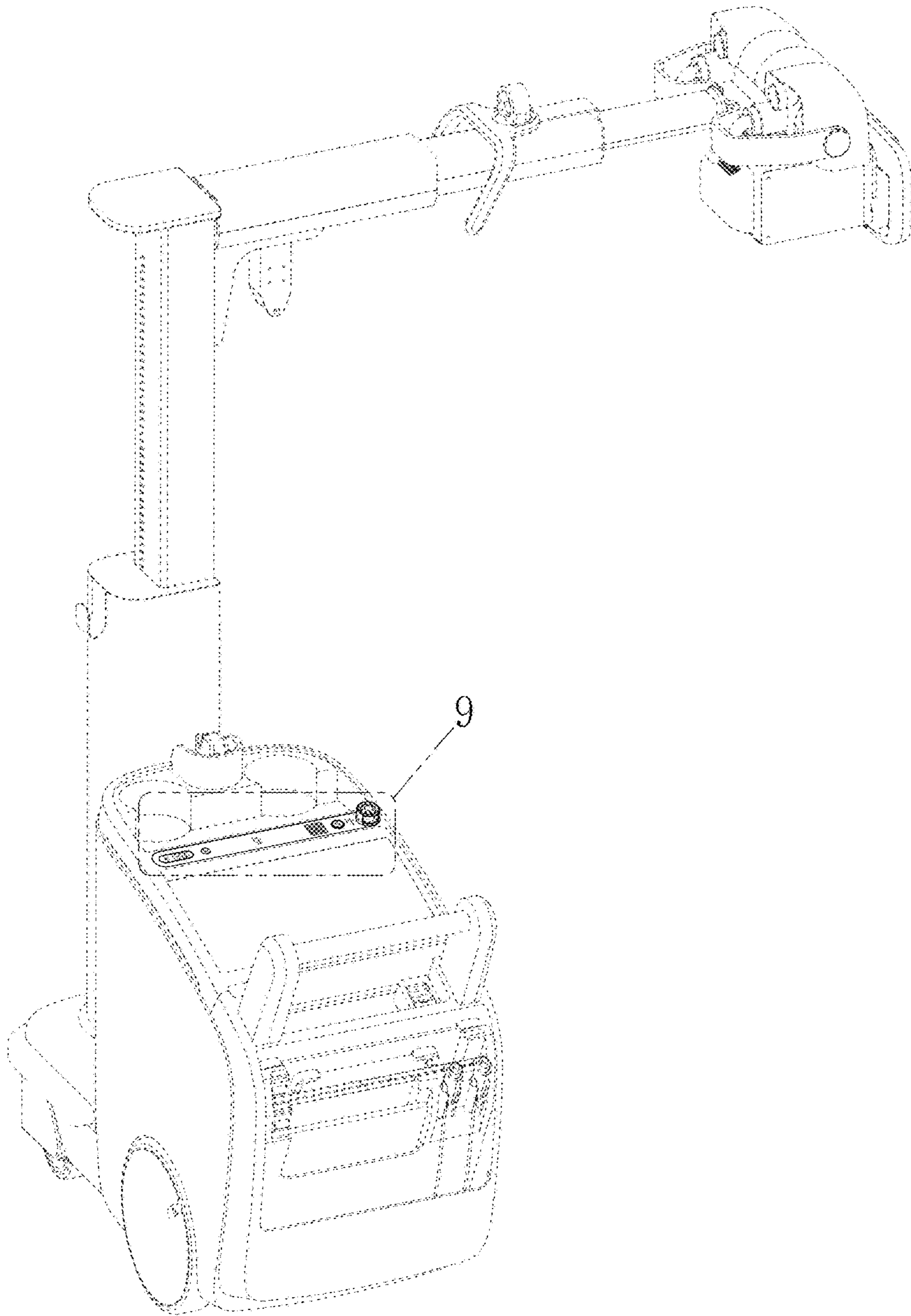


FIG. 9

