



US00D790705S

(12) **United States Design Patent**
Matheny et al.

(10) **Patent No.:** **US D790,705 S**
(45) **Date of Patent:** **** Jun. 27, 2017**

(54) **PROSTHETIC TISSUE VALVE**

(56) **References Cited**

- (71) Applicant: **CorMatrix Cardiovascular, Inc.**,
Roswell, GA (US)
- (72) Inventors: **Robert G Matheny**, Norcross, GA
(US); **Minh X Vo**, Sugar Hill, GA
(US); **Carlos C Chang**, Atlanta, GA
(US); **Selvamuthu k Natarajan**,
Alpharetta, GA (US)
- (73) Assignee: **CORMATRIX CARDIOVASCULAR,**
INC, Roswell, GA (US)
- (**) Term: **15 Years**
- (21) Appl. No.: **29/570,671**
- (22) Filed: **Jul. 11, 2016**

U.S. PATENT DOCUMENTS

2014/0330369	A1*	11/2014	Matheny	A61F 2/2412 623/2.14
2015/0032205	A1*	1/2015	Matheny	A61F 2/2415 623/2.15
2015/0342717	A1*	12/2015	O'Donnell	A61F 2/013 623/2.11
2016/0120645	A1*	5/2016	Alon	A61F 2/2442 623/2.4
2016/0317292	A1*	11/2016	Matheny	A61F 2/2412
2016/0317293	A1*	11/2016	Matheny	A61F 2/2412
2016/0317294	A1*	11/2016	Matheny	A61F 2/2412
2016/0317296	A1*	11/2016	Matheny	A61F 2/2412
2016/0317300	A1*	11/2016	Matheny	A61F 2/2418

* cited by examiner

Primary Examiner — Charles Hanson

(74) *Attorney, Agent, or Firm* — Francis Law Group

(57) **CLAIM**

We claim the ornamental design for a prosthetic tissue valve, as shown and described.

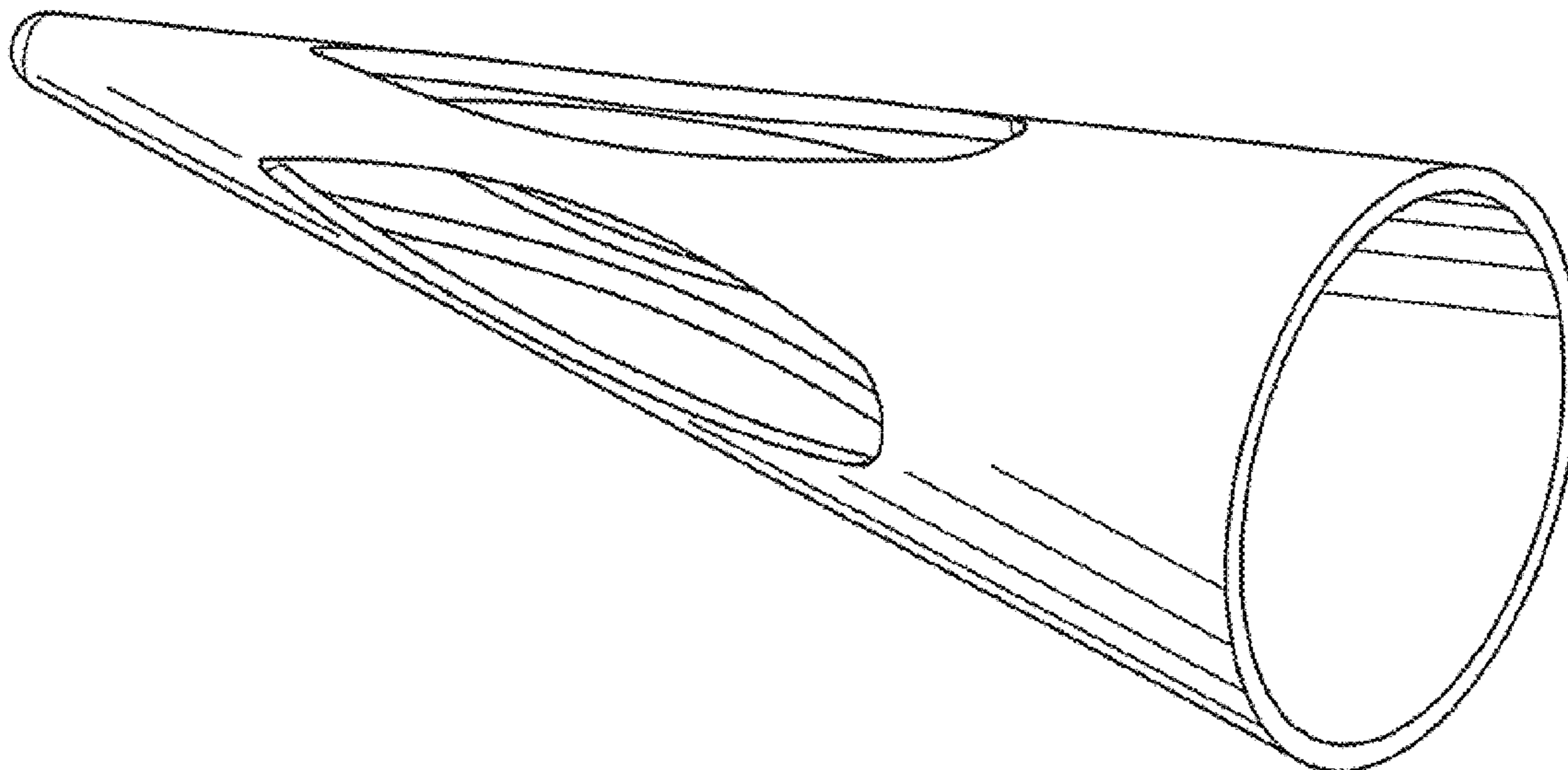
DESCRIPTION

FIG. 1 is a perspective view of my design for a prosthetic tissue valve;
 FIG. 2 is a right side elevational view thereof;
 FIG. 3 is a left side elevational view thereof;
 FIG. 4 is a front elevational view thereof, the rear elevational view thereof being identical to said front elevational view;
 and,
 FIG. 5 is a top elevational view thereof, the bottom elevational view thereof being identical to said top elevational view.

Related U.S. Application Data

- (63) Continuation-in-part of application No. 14/960,354, filed on Dec. 5, 2015, and a continuation-in-part of application No. 14/229,854, filed on Mar. 29, 2014, now Pat. No. 9,308,084.
 - (51) **LOC (10) Cl.** **24-02**
 - (52) **U.S. Cl.**
USPC **D24/155**
 - (58) **Field of Classification Search**
USPC D24/155-157
CPC A61L 2430/20; A61F 2230/0067; A61F 2/2412; A61F 2/24
- See application file for complete search history.

1 Claim, 1 Drawing Sheet



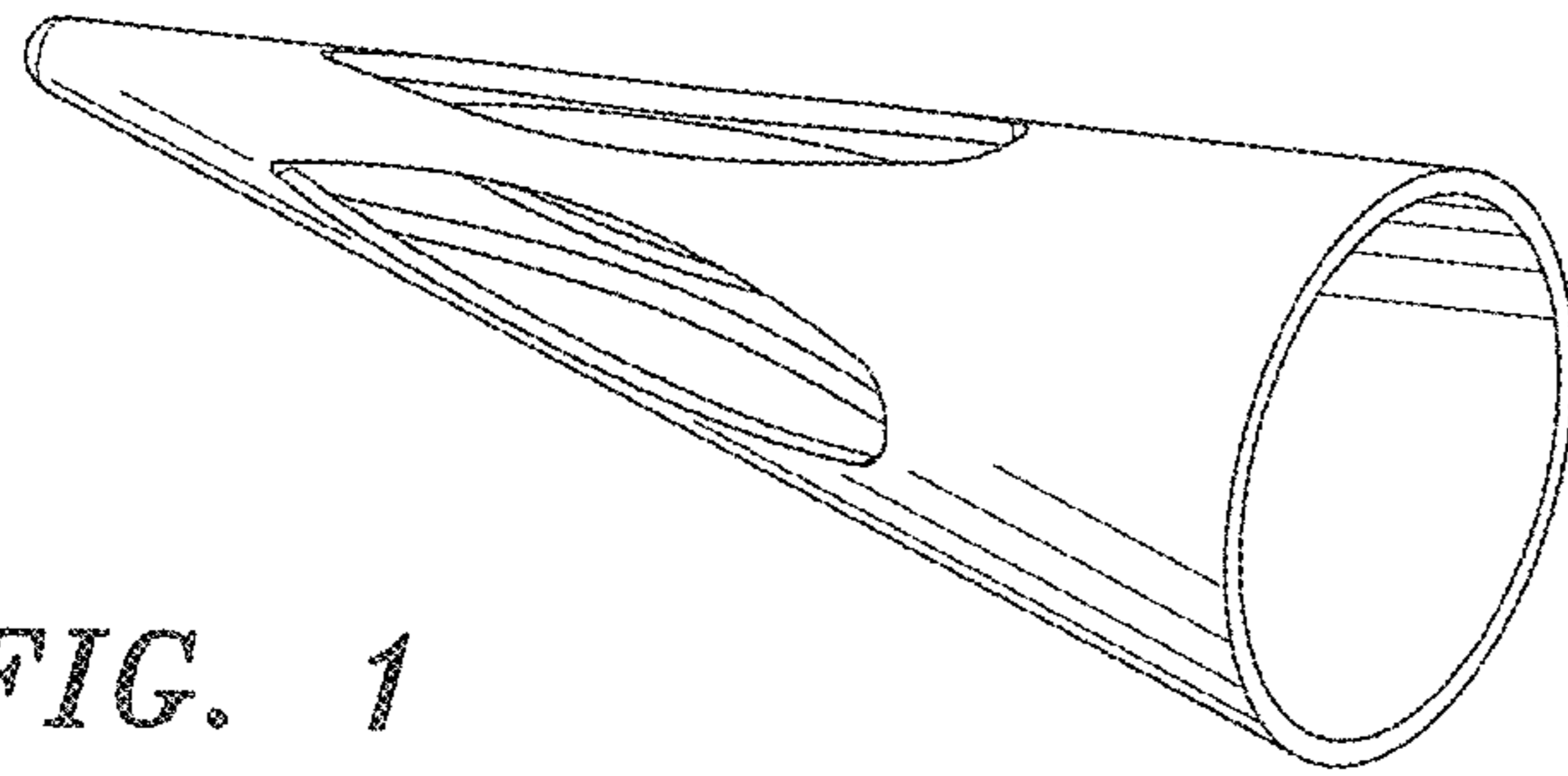


FIG. 1

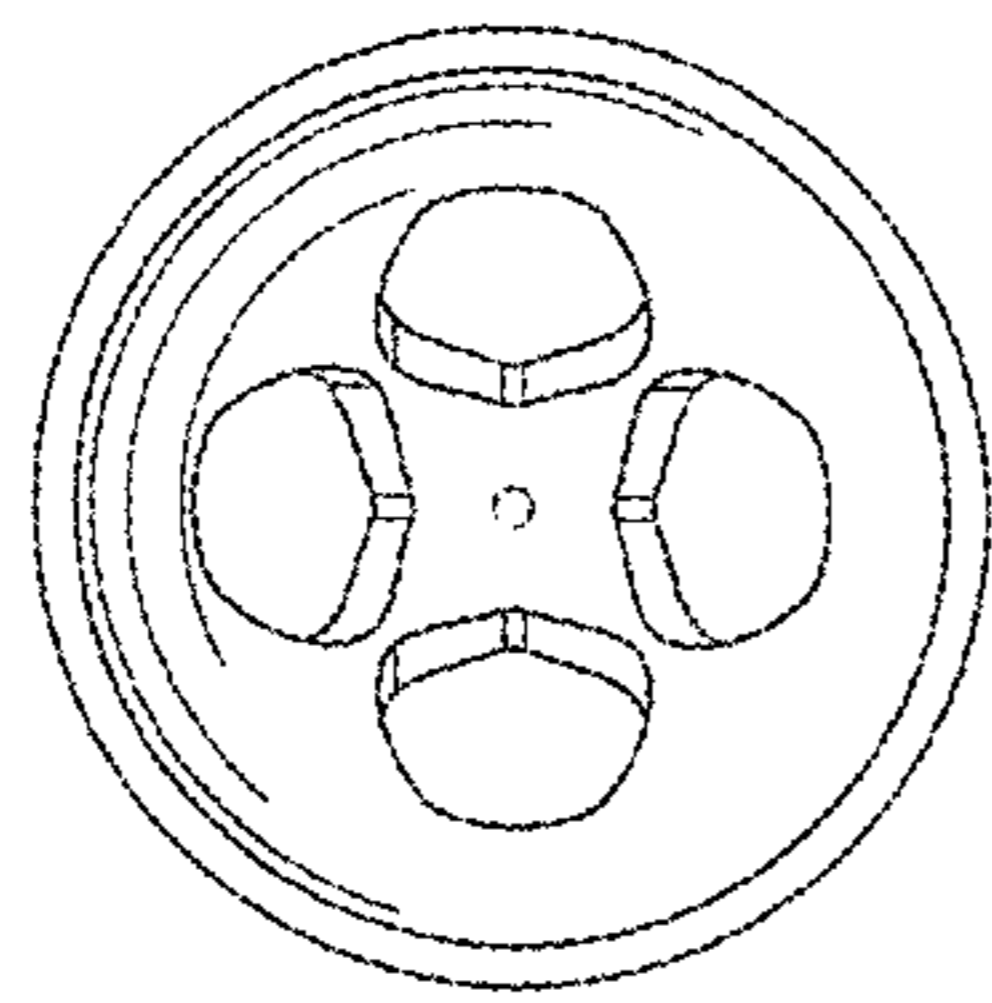


FIG. 2

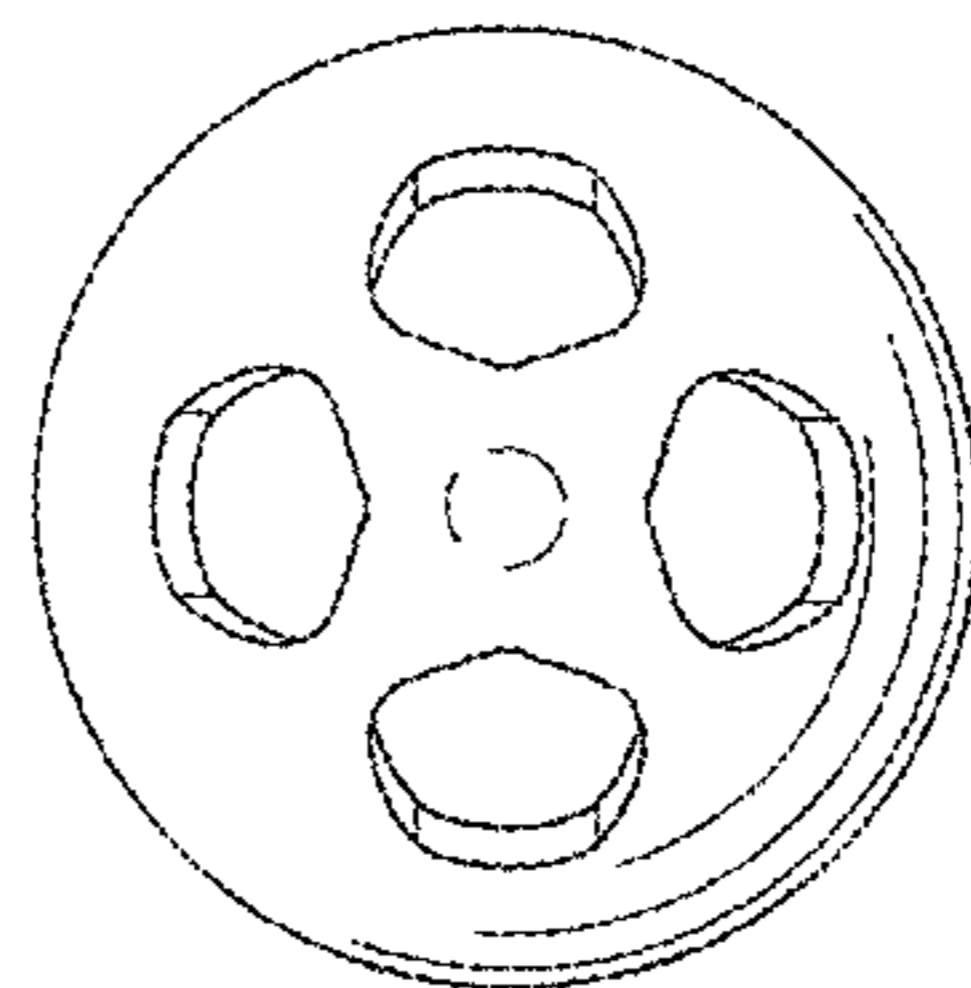


FIG. 3

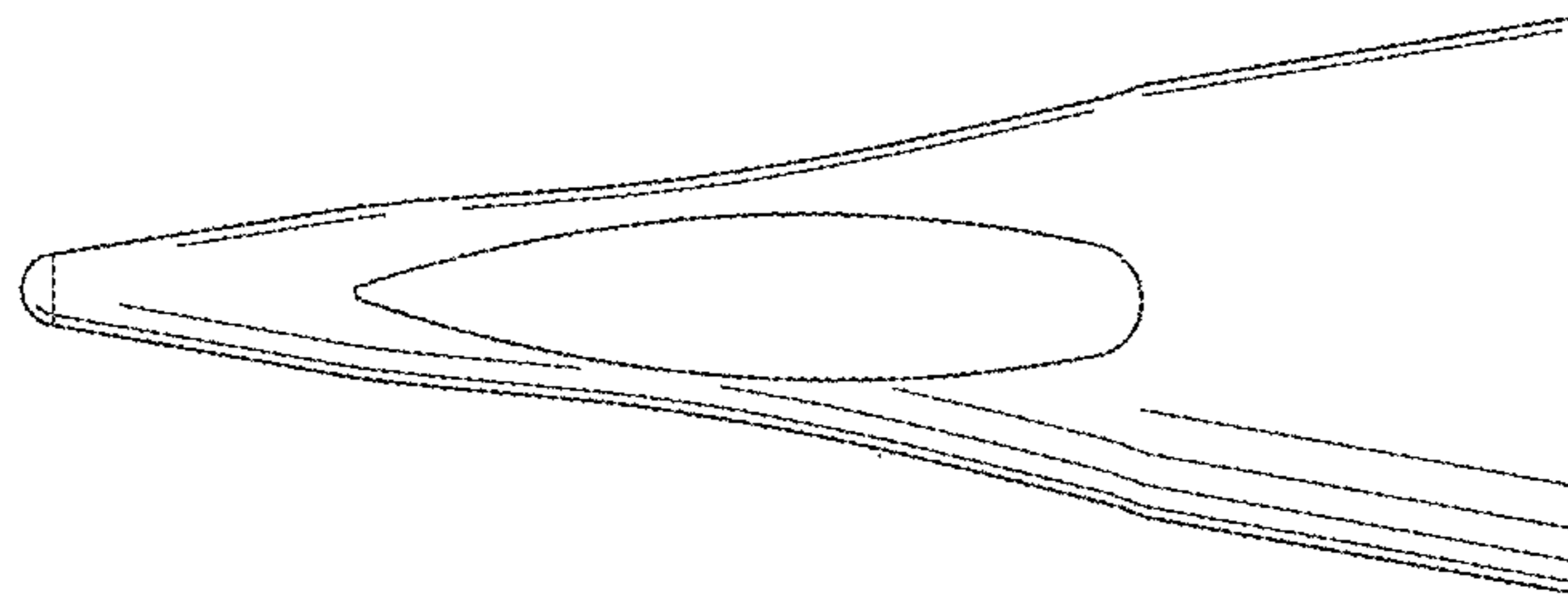


FIG. 4

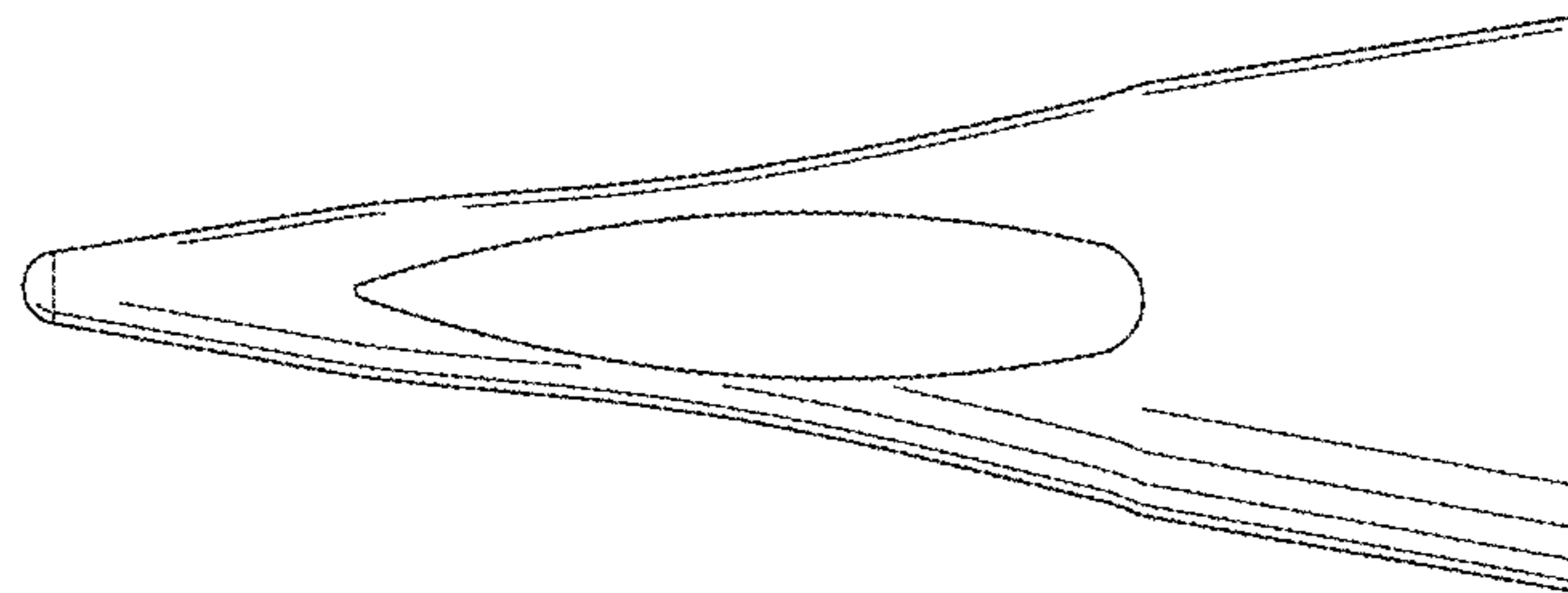


FIG. 5