



US00D790704S

(12) **United States Design Patent**
Yang

(10) **Patent No.:** **US D790,704 S**
(45) **Date of Patent:** **** Jun. 27, 2017**

(54) **CAGE FOR CERVICAL SPINE**
(71) Applicant: **DONGGUK UNIVERSITY**
GYEONGJU CAMPUS
INDUSTRY-ACADEMY
COOPERATION FOUNDATION,
Gyeongsangbuk-do (KR)
(72) Inventor: **Jae Jun Yang**, Gyeonggi-do (KR)
(73) Assignee: **DONGGUK UNIVERSITY**
GYEONGJU CAMPUS
INDUSTRY-ACADEMY
COOPERATION FOUNDATION
(KR)

D682,427 S * 5/2013 Farris A61F 2/447
D24/155
D692,136 S * 10/2013 Tyber D24/155
8,740,983 B1 * 6/2014 Arnold A61F 2/4455
623/17.16
D708,747 S * 7/2014 Curran D24/155
D711,537 S * 8/2014 Pimenta D24/155
D735,859 S * 8/2015 Palinchik D24/155
D735,860 S * 8/2015 Palinchik D24/155
D736,384 S * 8/2015 Palinchik D24/155
D745,159 S * 12/2015 Lin D24/155
2008/0306596 A1 * 12/2008 Jones A61F 2/4455
623/17.16
2010/0087925 A1 * 4/2010 Kostuik A61F 2/447
623/17.16

* cited by examiner

(**) Term: **15 Years**

Primary Examiner — Charles Hanson

(21) Appl. No.: **29/560,848**

(74) *Attorney, Agent, or Firm* — Riverside Law LLP

(22) Filed: **Apr. 11, 2016**

(51) **LOC (10) Cl.** **24-02**

(52) **U.S. Cl.**
USPC **D24/155**

(58) **Field of Classification Search**
USPC D24/155
CPC A61F 2/4611; A61F 2/442; A61F 2/447;
A61F 2220/0025; A61F 2310/00023;
A61F 2310/00017; A61F 2002/4475;
A61F 2002/30841; A61F 2002/2835;
A61F 2002/30904; A61F 2002/30785;
A61F 2002/443; A61F 2002/30578
See application file for complete search history.

(56) **References Cited**

U.S. PATENT DOCUMENTS

7,637,950 B2 * 12/2009 Baccelli A61F 2/4455
623/17.11
D619,255 S * 7/2010 Richter D24/155

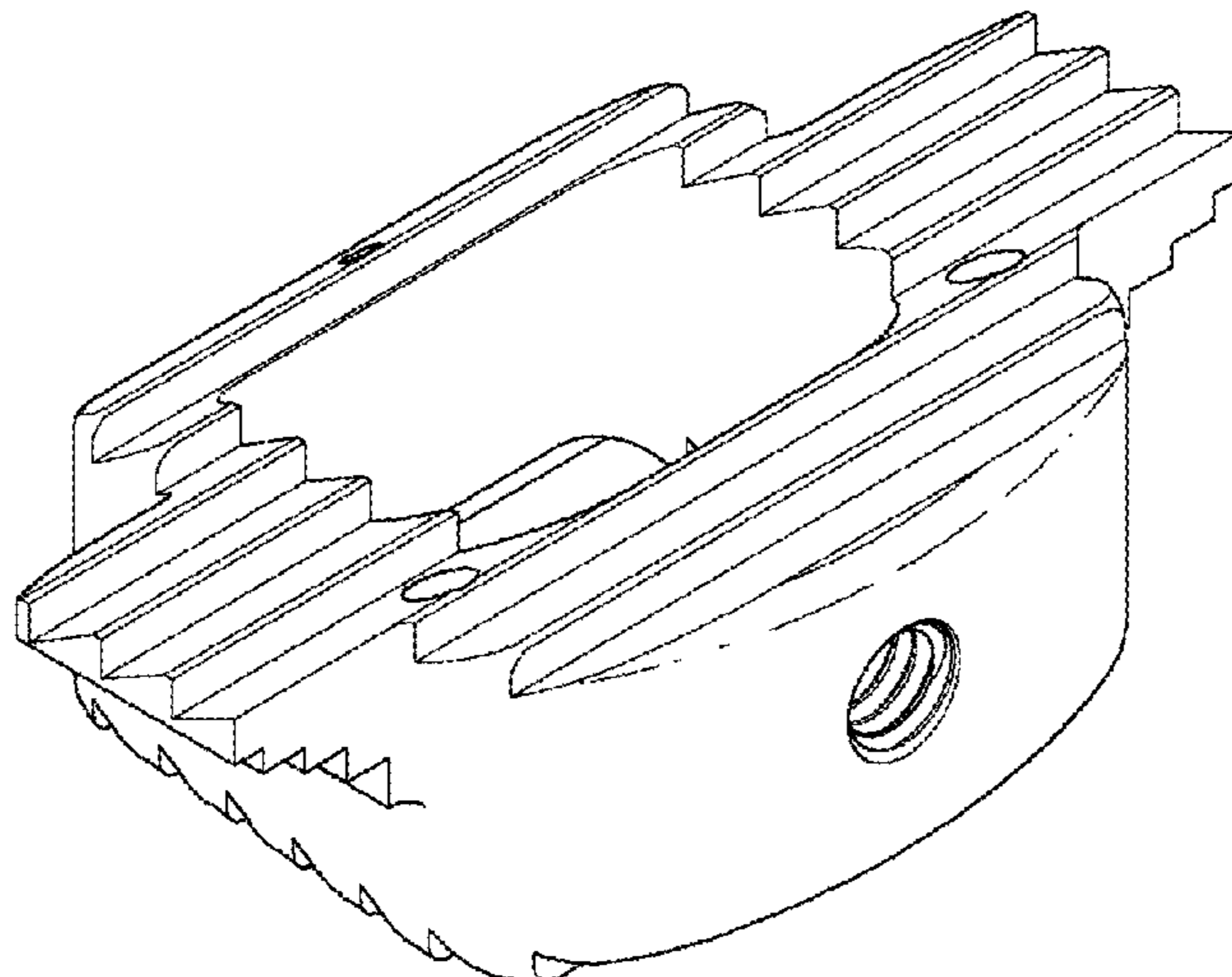
(57) **CLAIM**

I claim the ornamental design for a cage for cervical spine,
as shown and described.

DESCRIPTION

FIG. 1 is a perspective view of a cage for cervical spine.
FIG. 2 is a front view thereof;
FIG. 3 is a back view thereof;
FIG. 4 is a left view thereof;
FIG. 5 is a right view thereof;
FIG. 6 is a top view thereof; and,
FIG. 7 is a bottom view thereof.

1 Claim, 4 Drawing Sheets



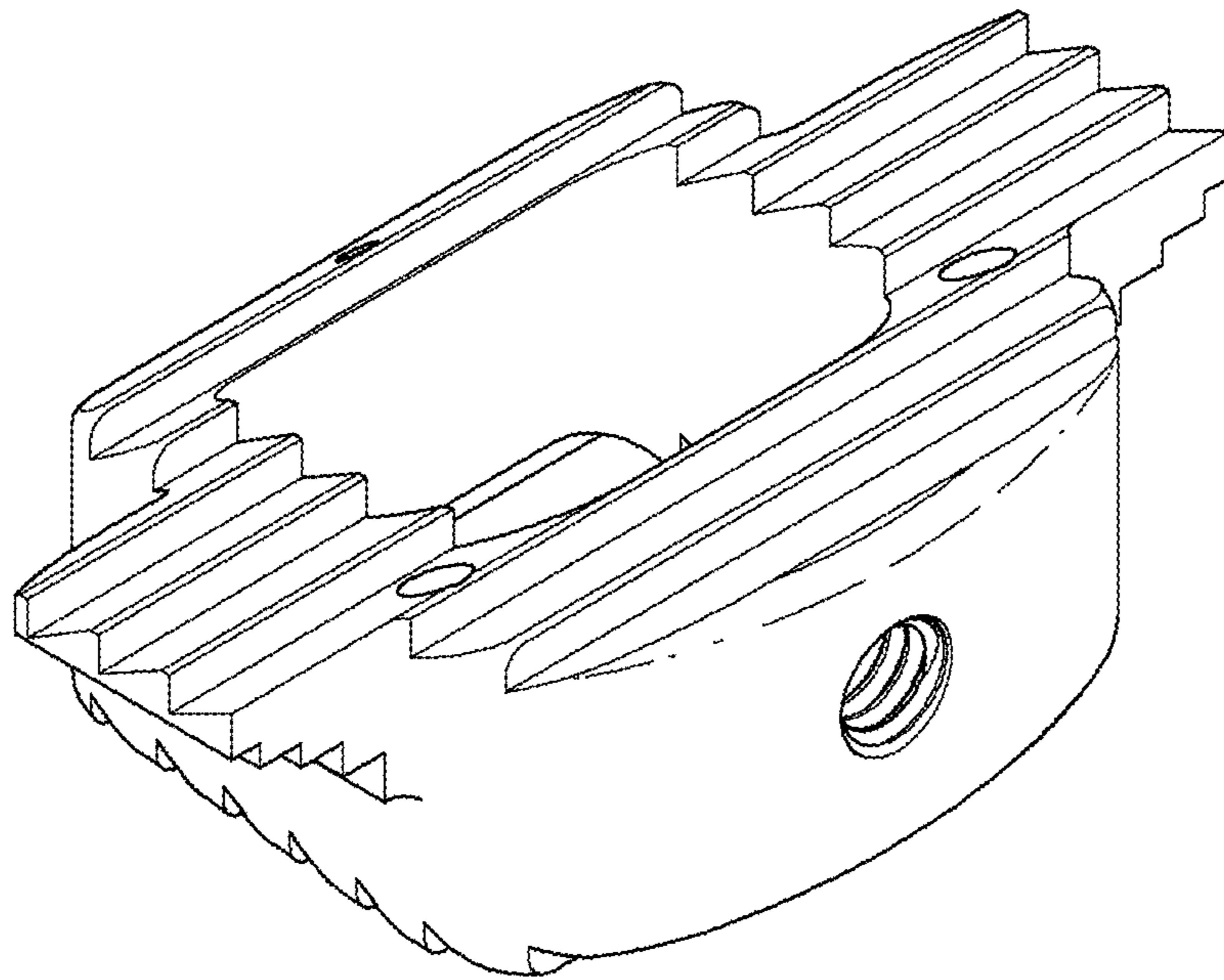


Figure 1

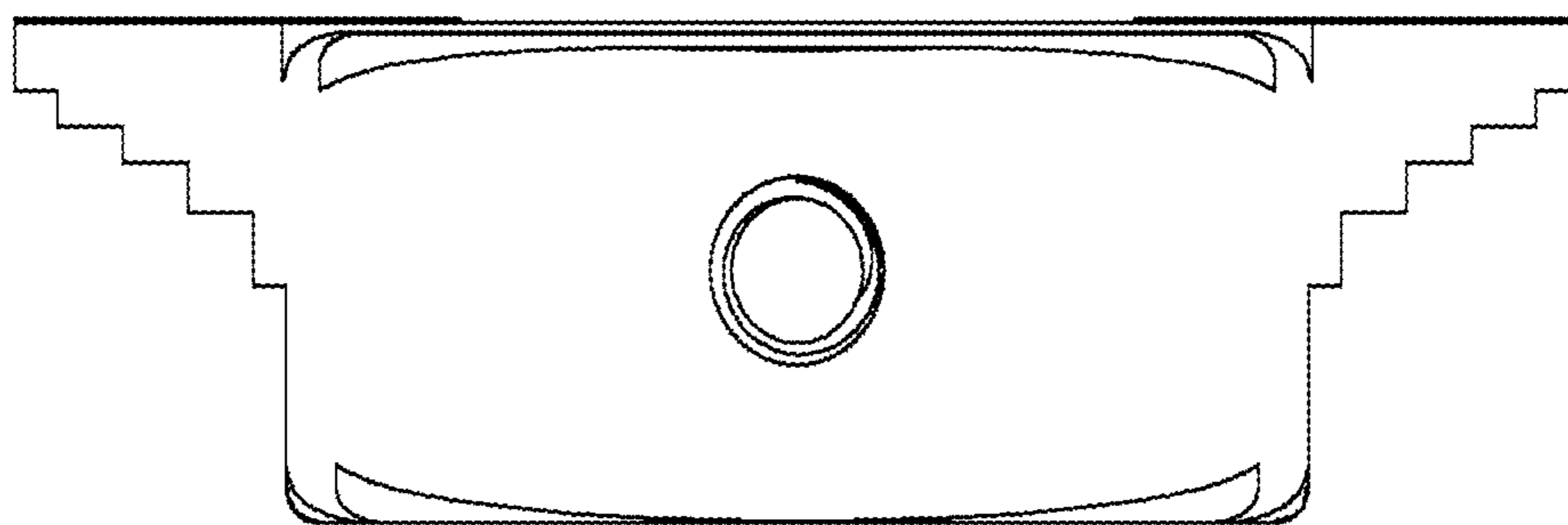


Figure 2

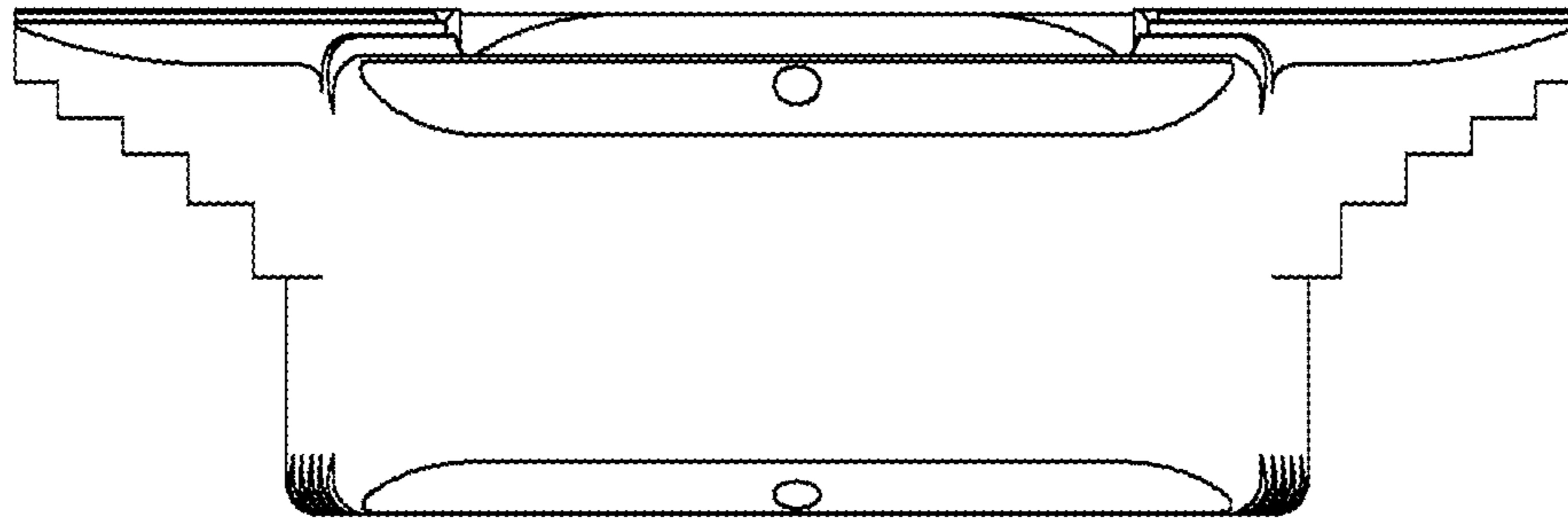


Figure 3

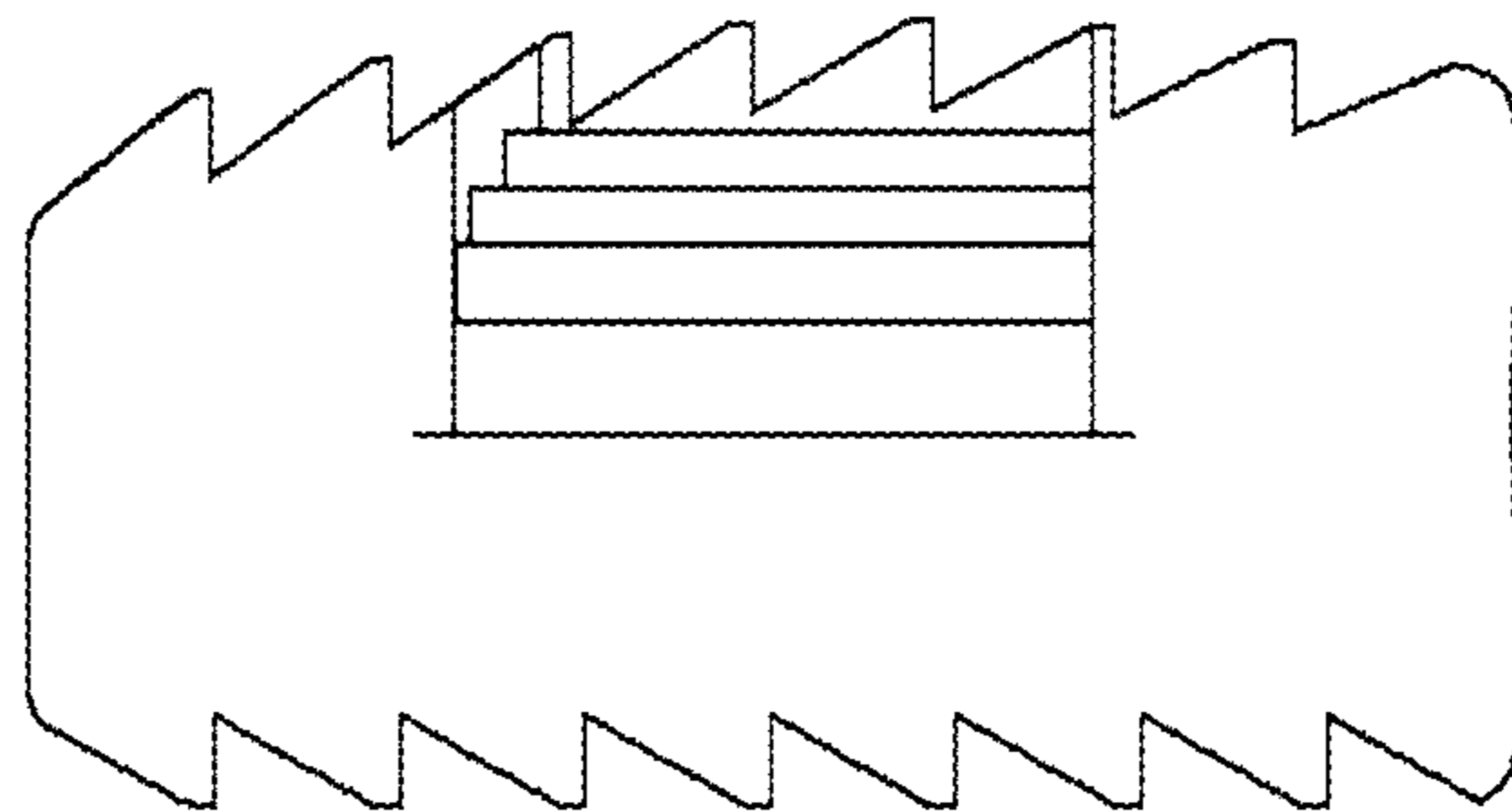


Figure 4

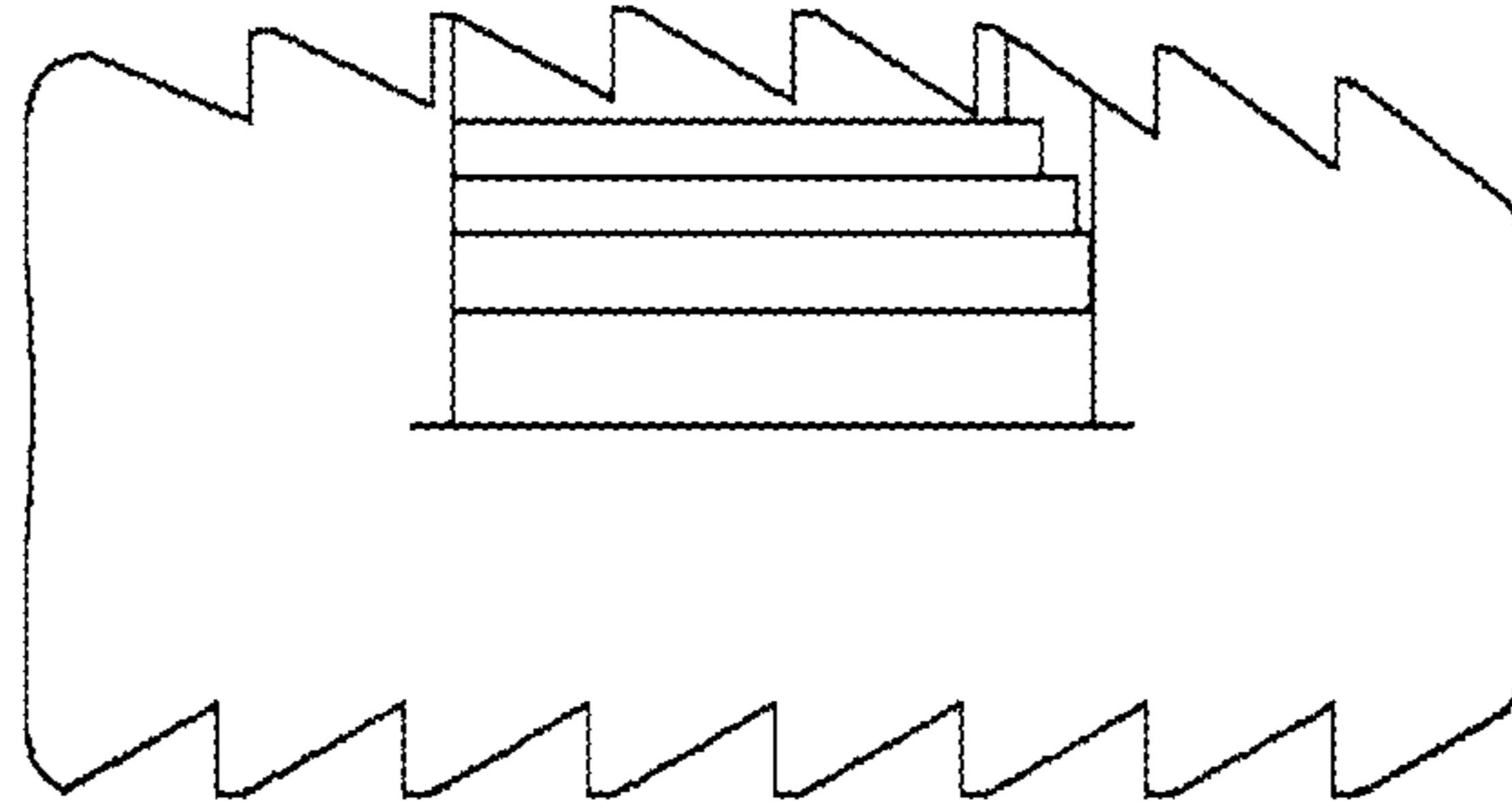


Figure 5

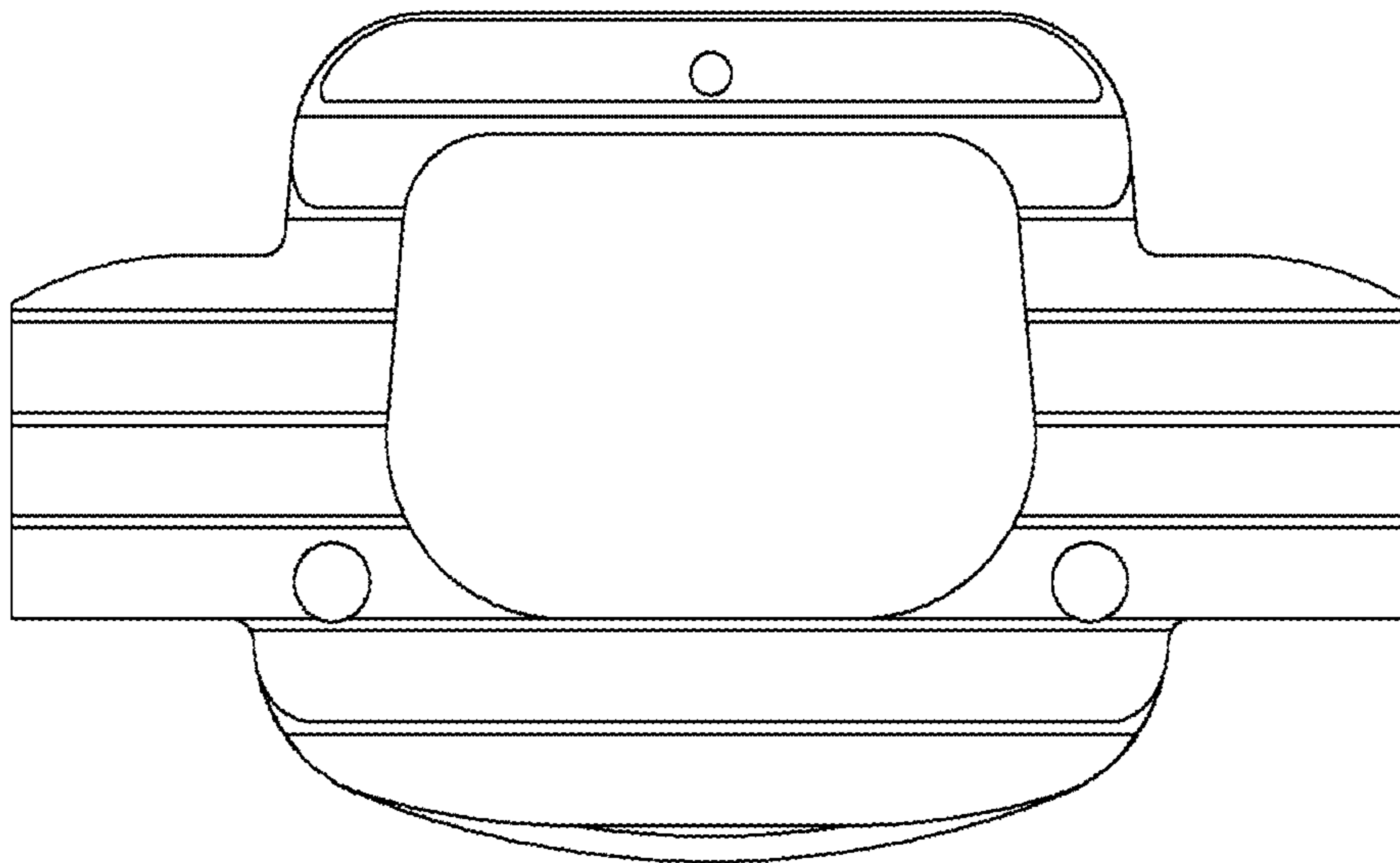


Figure 6

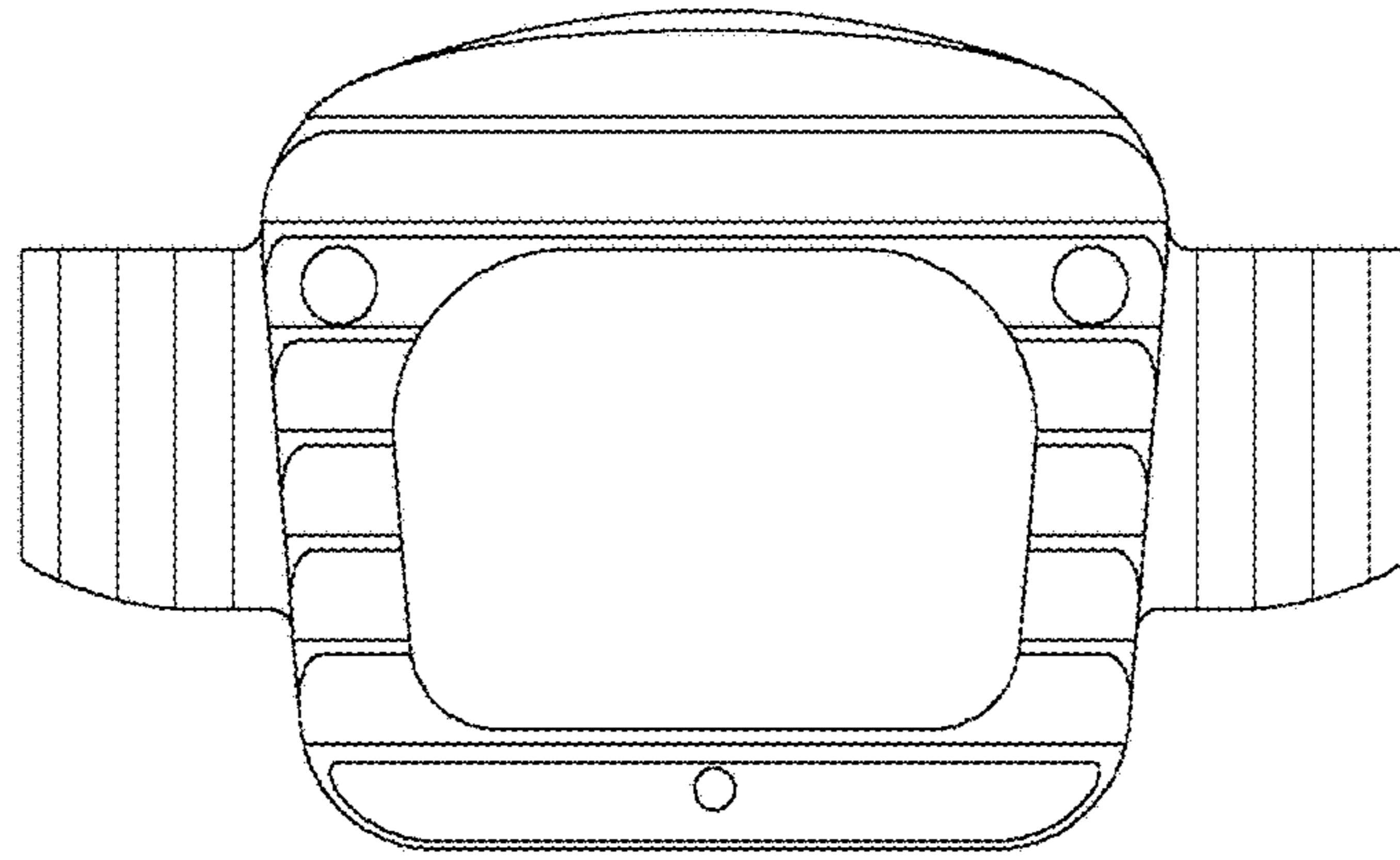


Figure 7