



US00D790702S

(12) **United States Design Patent** (10) **Patent No.:** **US D790,702 S**
Su (45) **Date of Patent:** **** Jun. 27, 2017**

(54) **PARANASAL IMPLANT**
(71) Applicant: **SHAWHAN BIOMEDICAL CO., LTD.**, Taipei (TW)
(72) Inventor: **Sea-Quan Su**, Taipei (TW)
(73) Assignee: **SHAWHAN BIOMEDICAL CO., LTD.**, Taipei (TW)
(**) Term: **14 Years**
(21) Appl. No.: **29/517,760**
(22) Filed: **Feb. 16, 2015**
(51) **LOC (10) Cl.** **24-02**
(52) **U.S. Cl.**
USPC **D24/155**
(58) **Field of Classification Search**
USPC D24/155-157
CPC A61F 2/186; A61F 2/0059; A61F 2/2803;
A61F 2/2875; A61F 2002/2807; A61B
17/176
See application file for complete search history.

(56) **References Cited**
U.S. PATENT DOCUMENTS
4,344,193 A * 8/1982 Kenny A61F 2/3872
128/DIG. 21
D270,759 S * 9/1983 Straith 128/DIG. 21
5,030,232 A * 7/1991 Pham A61F 2/186
623/10
D320,659 S * 10/1991 Johansson D24/155
D366,526 S * 1/1996 Rizzo D24/155

5,522,896 A * 6/1996 Prescott A61B 17/0057
623/23.56
5,716,405 A * 2/1998 Mittelman A61B 17/1604
623/10
D428,992 S * 8/2000 O'Keeffe D24/155
D779,066 S * 2/2017 Su D24/155
2007/0067041 A1* 3/2007 Kotoske A61F 2/02
623/17.18
2008/0215149 A1* 9/2008 Bae A61F 2/0059
623/11.11
2013/0298931 A1* 11/2013 Samain A45D 44/22
132/200
2015/0148902 A1* 5/2015 Komrit A61F 2/0059
623/10

* cited by examiner

Primary Examiner — Charles Hanson
(74) *Attorney, Agent, or Firm* — CKC & Partners Co., Ltd.

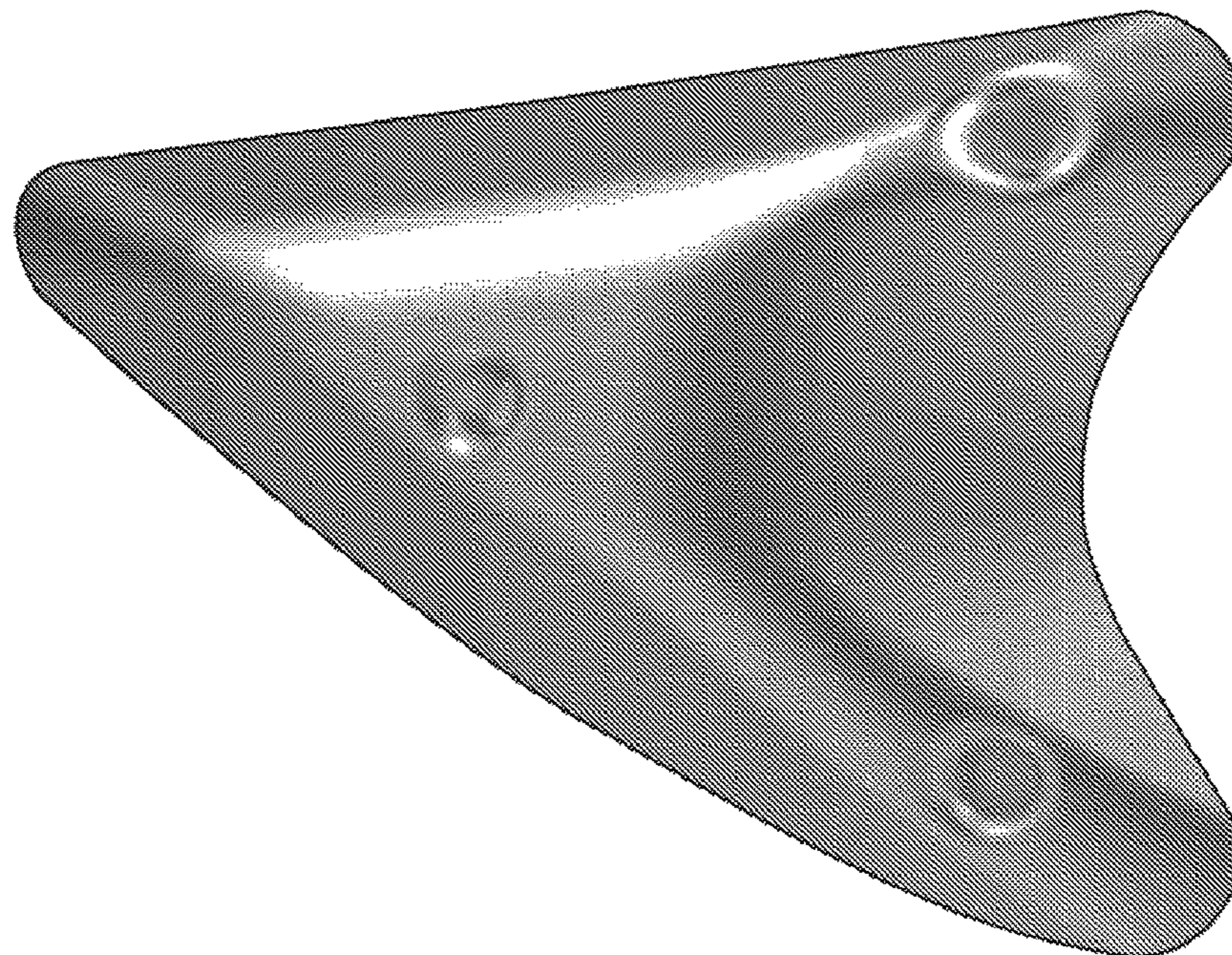
(57) **CLAIM**

The ornamental design for a paranasal implant, as shown and described.

DESCRIPTION

FIG. 1 is a perspective view of a paranasal implant showing my new design;
FIG. 2 is a front view thereof;
FIG. 3 is a rear view thereof;
FIG. 4 is a left side view thereof;
FIG. 5 is a right side view thereof;
FIG. 6 is a top view thereof; and,
FIG. 7 is a bottom view thereof.

1 Claim, 7 Drawing Sheets



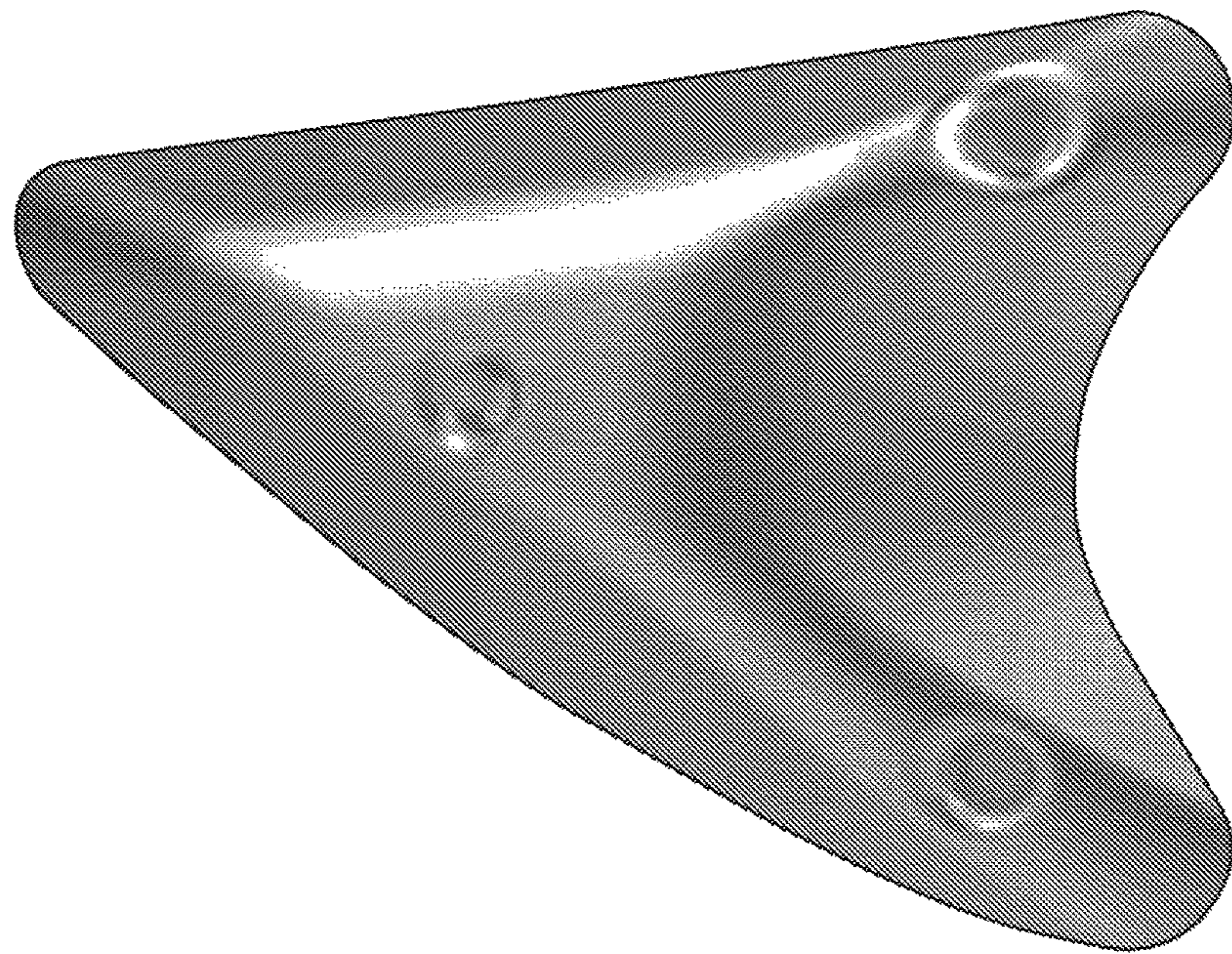


Fig. 1

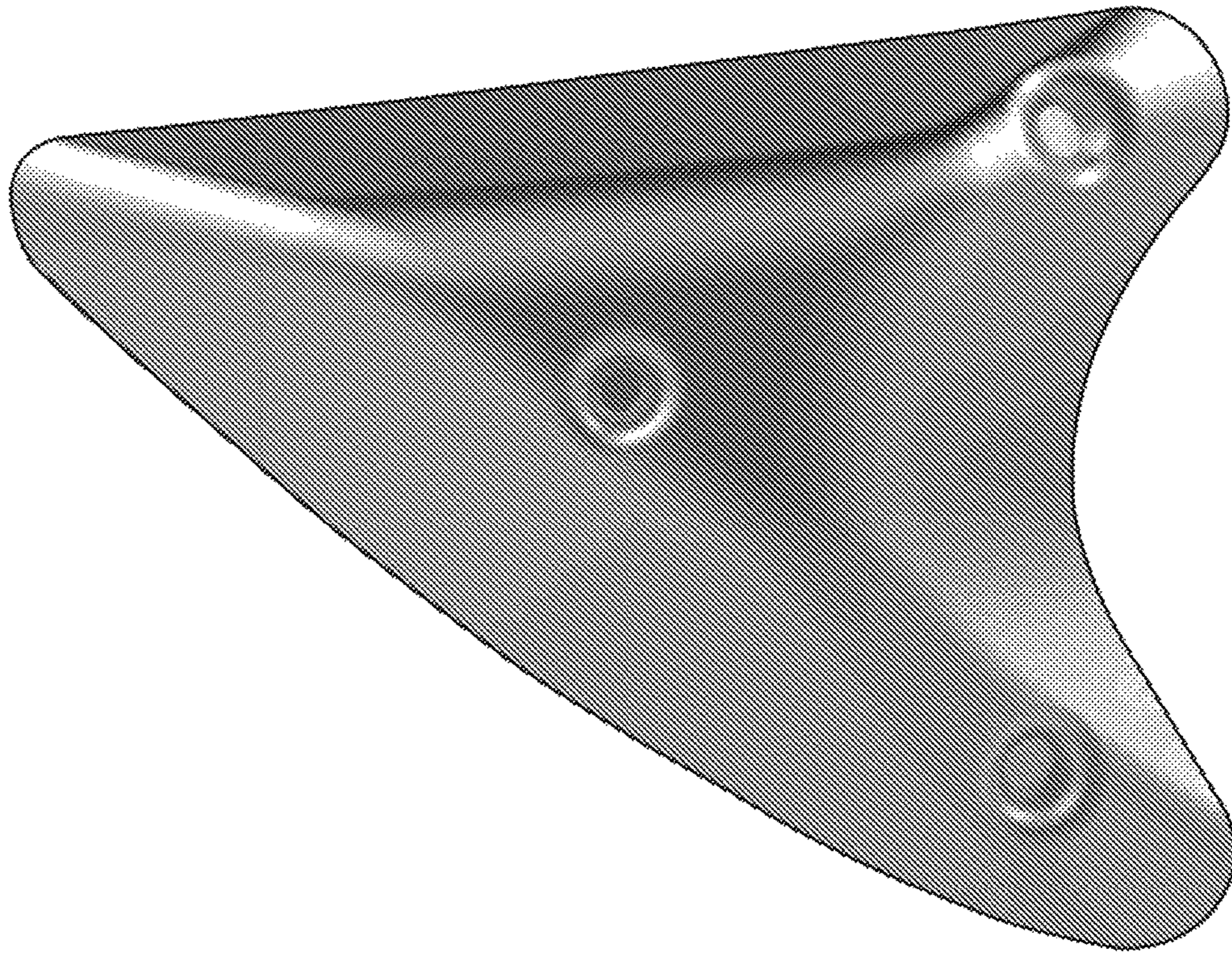


Fig. 2

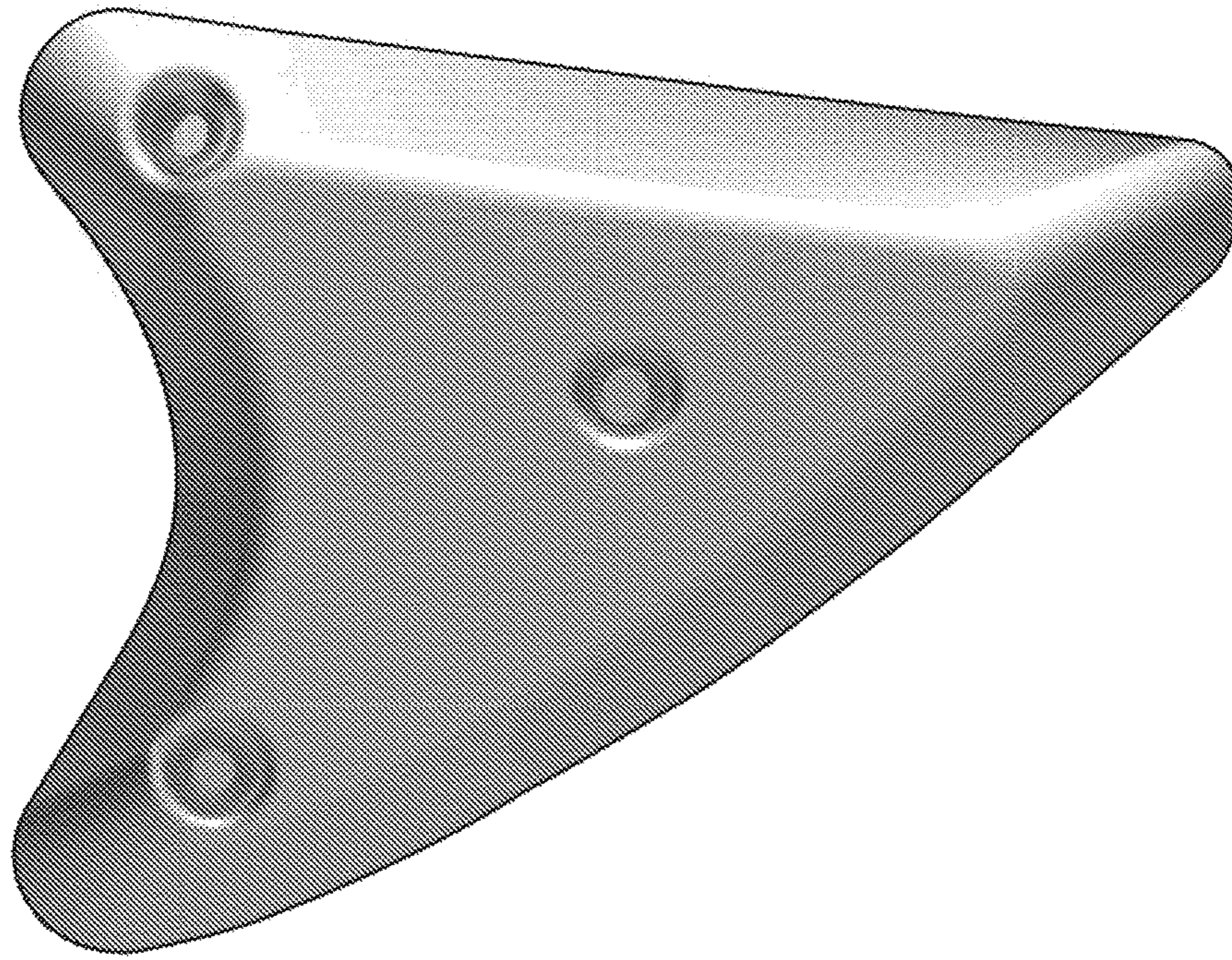


Fig. 3

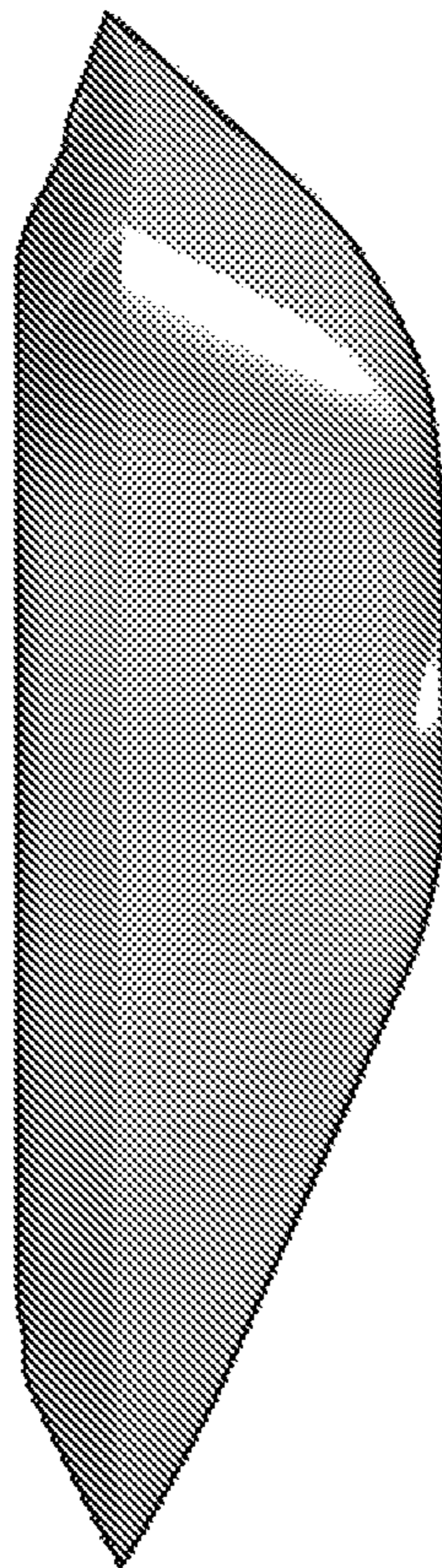


Fig. 4

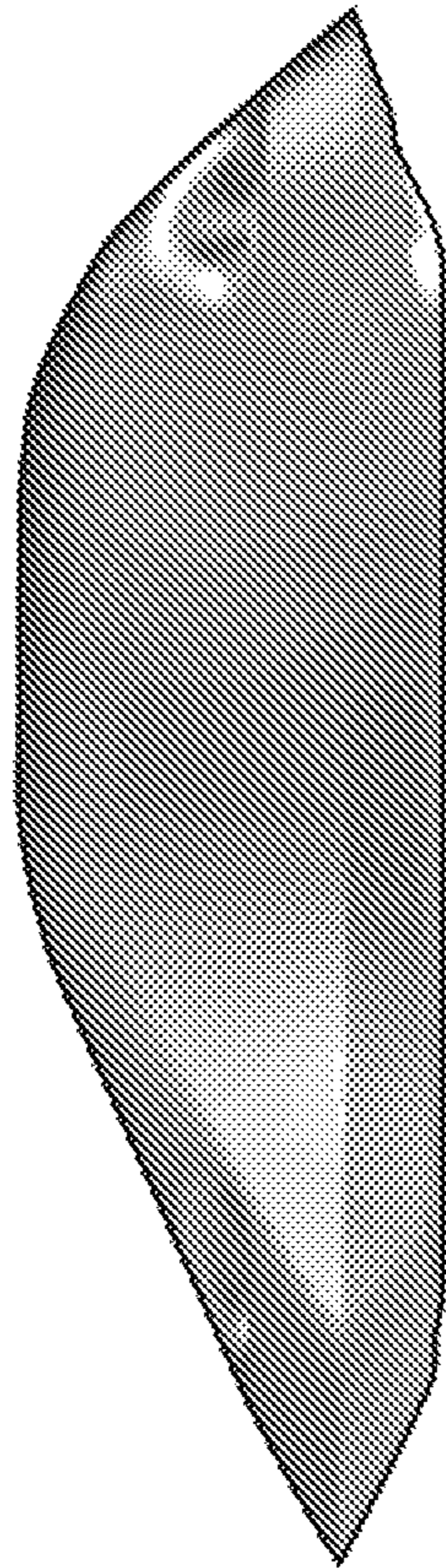


Fig. 5

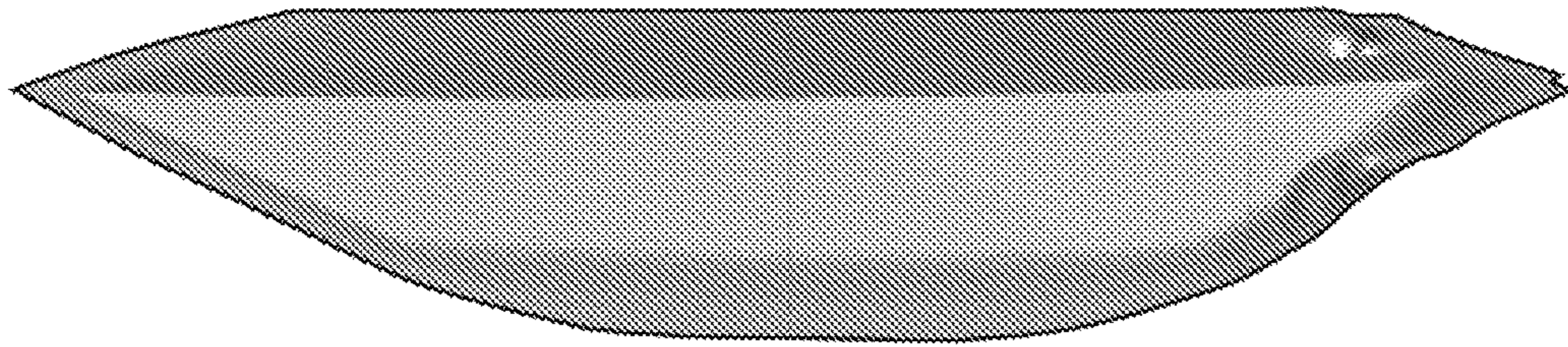


Fig. 6

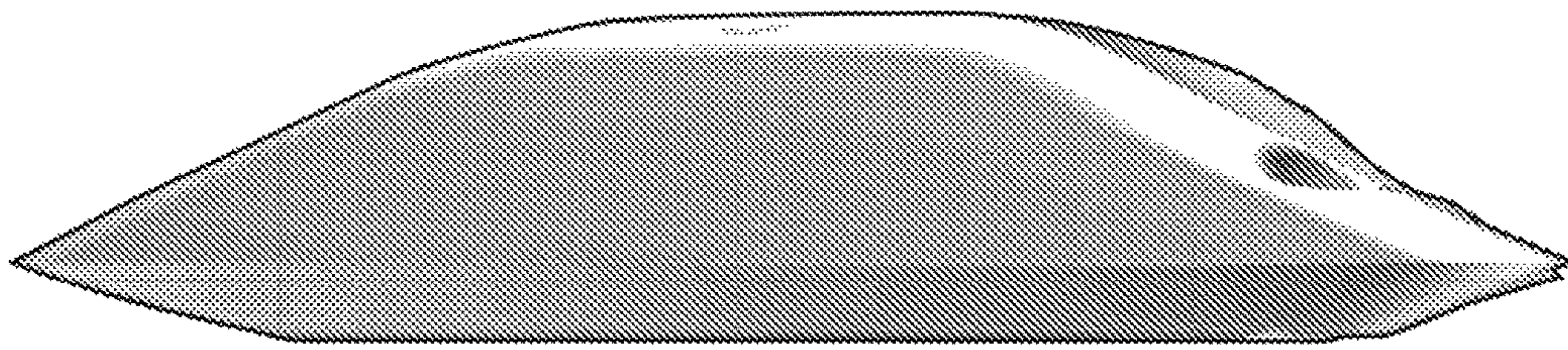


Fig. 7