



US00D790700S

(12) **United States Design Patent**
Zhou et al.

(10) **Patent No.:** **US D790,700 S**

(45) **Date of Patent:** **** Jun. 27, 2017**

(54) **TROCAR SHEATH**

(71) Applicant: **Guangzhou T.K Medical Instrument Co., Ltd.**, Guangzhou (CN)

(72) Inventors: **Xing Zhou**, Guangzhou (CN);
Shaoming Zhu, Guangzhou (CN);
Linhai Liu, Guangzhou (CN); **Jiajiang Wei**, Guangzhou (CN); **Huaping Xu**, Guangzhou (CN); **Lifei Luo**, Guangzhou (CN)

(73) Assignee: **GUANGZHOU T. K. MEDICAL INSTRUMENT CO., LTD.**, Guangzhou (CN)

(**) Term: **15 Years**

(21) Appl. No.: **29/528,983**

(22) Filed: **Jun. 2, 2015**

(30) **Foreign Application Priority Data**

Mar. 19, 2015 (CN) 2015 3 0067178
Mar. 19, 2015 (CN) 2015 3 0067179
Mar. 19, 2015 (CN) 2015 3 0067260
Mar. 19, 2015 (CN) 2015 3 0067261

(51) **LOC (10) Cl.** **24-02**

(52) **U.S. Cl.**
USPC **D24/146**

(58) **Field of Classification Search**
USPC D7/649; D8/93, 97, 300, 310, 311, 313;
D19/110, 115; D24/146, 147, 148
See application file for complete search history.

(56) **References Cited**

U.S. PATENT DOCUMENTS

D362,066 S * 9/1995 Petruschke D24/146
5,662,615 A * 9/1997 Blake, III A61B 17/3462
604/167.06

D541,417 S * 4/2007 Albrecht D24/146
D589,617 S * 3/2009 Carter D24/146
8,206,411 B2 * 6/2012 Thompson A61B 17/3462
600/184
D667,554 S * 9/2012 Casabonne D24/117
D713,033 S * 9/2014 Sauer D24/146
D753,303 S * 4/2016 Dannaher D24/146
2004/0230161 A1 * 11/2004 Zeiner A61B 17/34
604/167.06
2005/0070946 A1 * 3/2005 Franer A61B 17/3498
606/185

(Continued)

OTHER PUBLICATIONS

Guangzhou, Decision of a Design Registration, (Decision to Allow), KR30-2015-0047411, Design No. M001, Jul. 4, 2016, 3 pgs.

(Continued)

Primary Examiner — Garth Rademaker

Assistant Examiner — Samantha Q Lawrence

(74) *Attorney, Agent, or Firm* — Morgan, Lewis & Bockius LLP

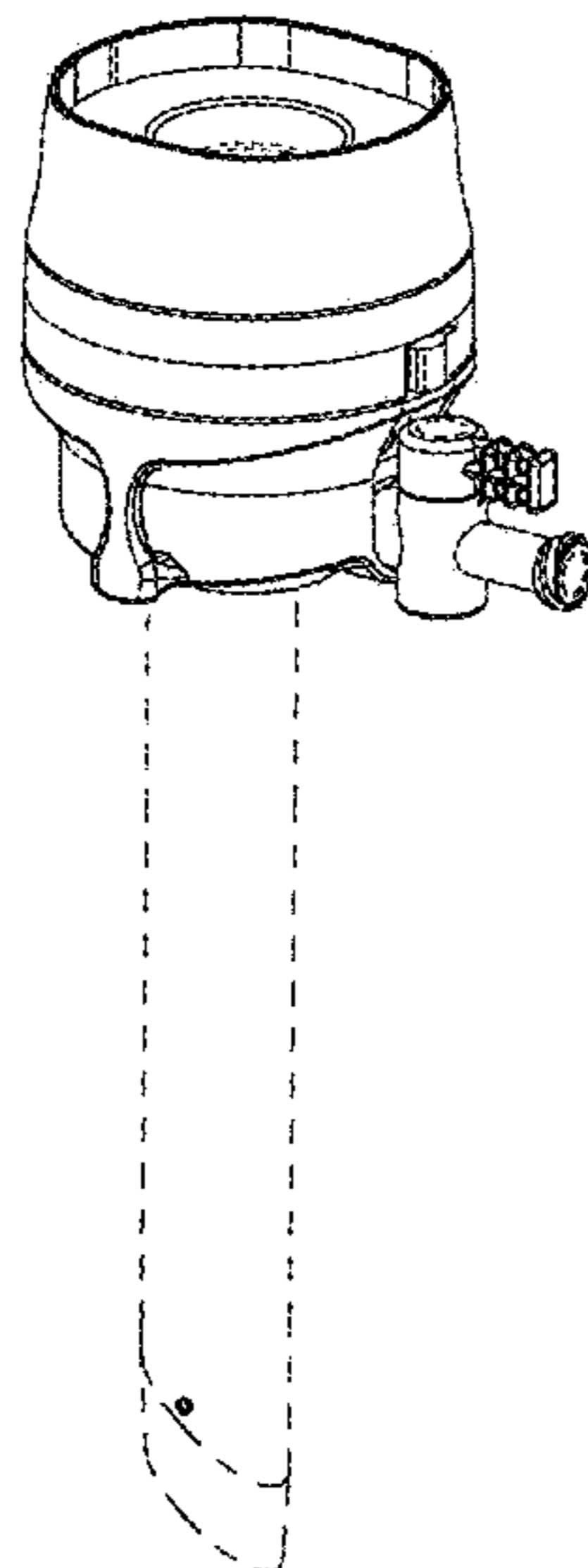
(57) **CLAIM**

The ornamental design for a trocar sheath, as shown and described.

DESCRIPTION

FIG. 1 is a perspective view of a trocar sheath;
FIG. 2 is a first side view of the design of FIG. 1;
FIG. 3 is a second side view of the design of FIG. 1;
FIG. 4 is a third side view of the design of FIG. 1;
FIG. 5 is a fourth side view of the design of FIG. 1;
FIG. 6 is a top view of the design of FIG. 1; and,
FIG. 7 is a bottom view of the design of FIG. 1.
The broken lines showing elements of the trocar sheath and an environment of use are included for illustrative purposes only and form no part of the claimed design.

1 Claim, 6 Drawing Sheets



(56)

References Cited

U.S. PATENT DOCUMENTS

2006/0264992 A1* 11/2006 Franer A61B 17/3462
606/167
2007/0066988 A1* 3/2007 Datta A61B 17/3417
606/185
2007/0185453 A1* 8/2007 Michael A61B 17/3462
604/164.01
2007/0260273 A1* 11/2007 Cropper A61B 1/00087
606/185
2008/0228214 A1* 9/2008 Hoan A61B 17/34
606/185
2009/0270817 A1* 10/2009 Moreno A61B 17/3462
604/264
2010/0016878 A1* 1/2010 Smith A61B 17/3417
606/185
2011/0046449 A1* 2/2011 Minnelli A61B 1/00128
600/205
2013/0237902 A1* 9/2013 McGinley A61B 17/3462
604/26
2013/0338694 A1* 12/2013 Fischvogt A61B 17/3494
606/185

OTHER PUBLICATIONS

Guangzhou, Decision of a Design Registration, (Decision to Allow),
KR30-2015-0047411, Design No. M002, Jul. 4, 2016, 3 pgs.

Guangzhou, Decision of a Design Registration, (Decision to Allow),
KR30-2015-0047411, Design No. M003, Jul. 4, 2016, 3 pgs.
Guangzhou, Decision of a Design Registration, (Decision to Allow),
KR30-2015-0047411, Design No. M004, Jul. 4, 2016, 3 pgs.
Guangzhou, Office Action, CA163514, Nov. 30, 2015, 3 pgs.
Guangzhou, Notice of Allowance, TW104302973, Jun. 15, 2016, 3
pgs.
Guangzhou, Certificate of Registration, AU201514183, Aug. 25,
2015, 7 pgs.
Guangzhou, Certificate of Registration, CA163514, Nov. 16, 2016,
1 pg.
Guangzhou, Certificate of Design Registration, HK1501160.6, Sep.
21, 2015, 2 pgs.
Guangzhou, Certificate of Design Registration, KR30-0874755-
M001, Sep. 27, 2016, 12 pgs.
Guangzhou, Certificate of Design Registration, KR30-0874755-
M002, Sep. 27, 2016, 12 pgs.
Guangzhou, Certificate of Design Registration, KR30-0874755-
M003, Sep. 27, 2016, 12 pgs.
Guangzhou, Certificate of Design Registration, KR30-0874755-
M004, Sep. 27, 2016, 12 pgs.
Guangzhou, Patent Certificate, TW104302973, Aug. 21, 2016, 2
pgs.
Guangzhou, Notice of Allowance, TW104302973D02, Nov. 25,
2016, 4 pgs.
Guangzhou, Notice of Allowance, TW104302973D03, Nov. 25,
2016, 4 pgs.

* cited by examiner

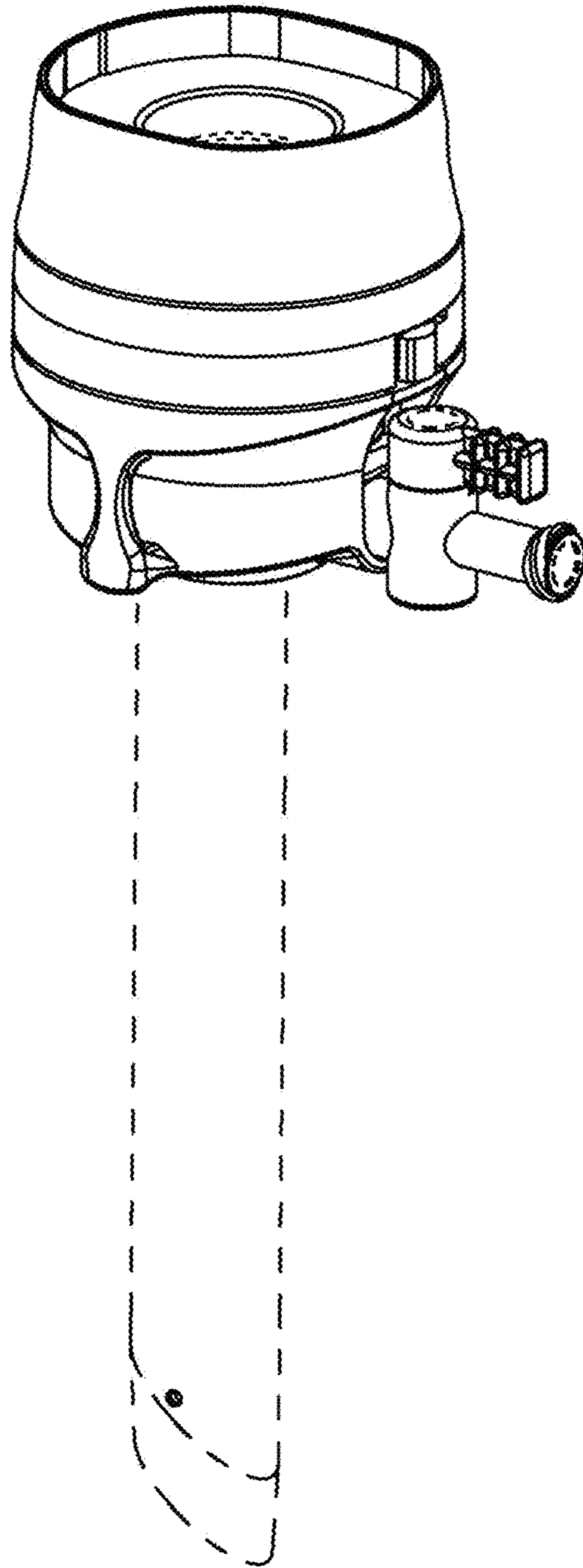


FIG. 1

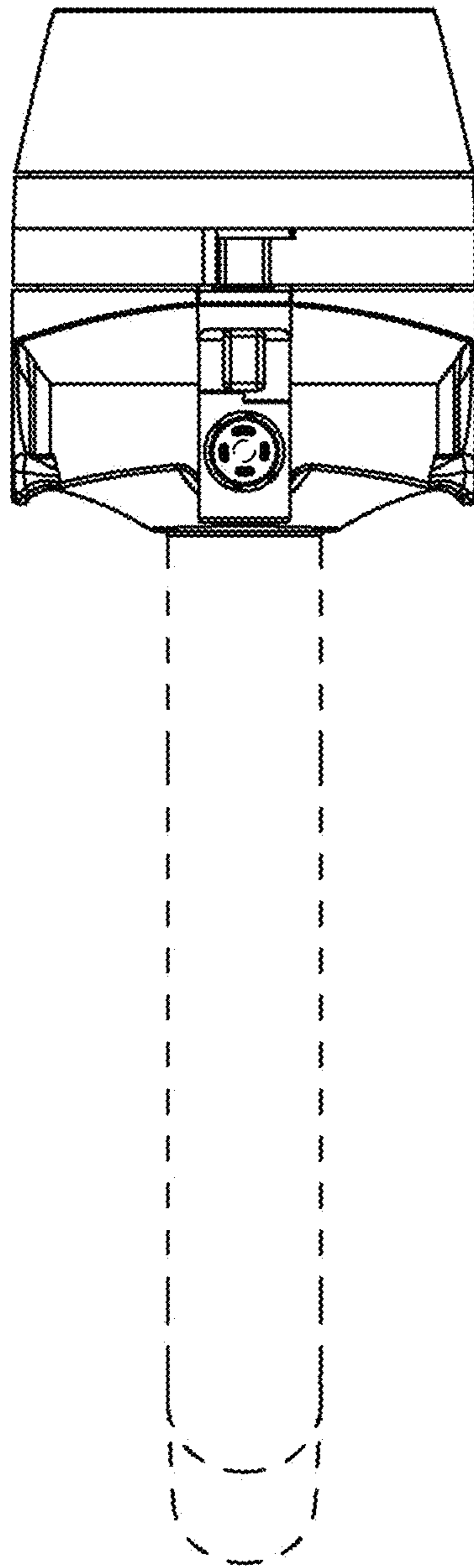


FIG. 2

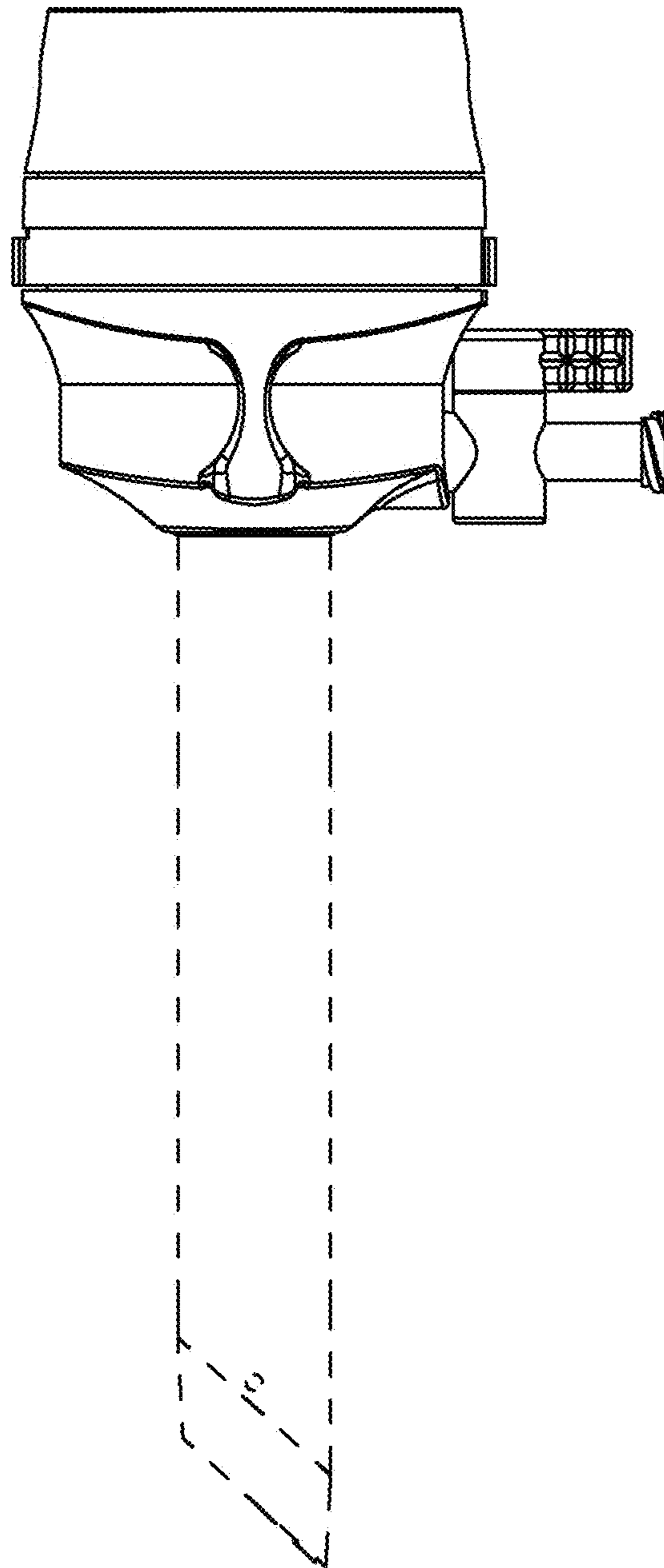


FIG. 3

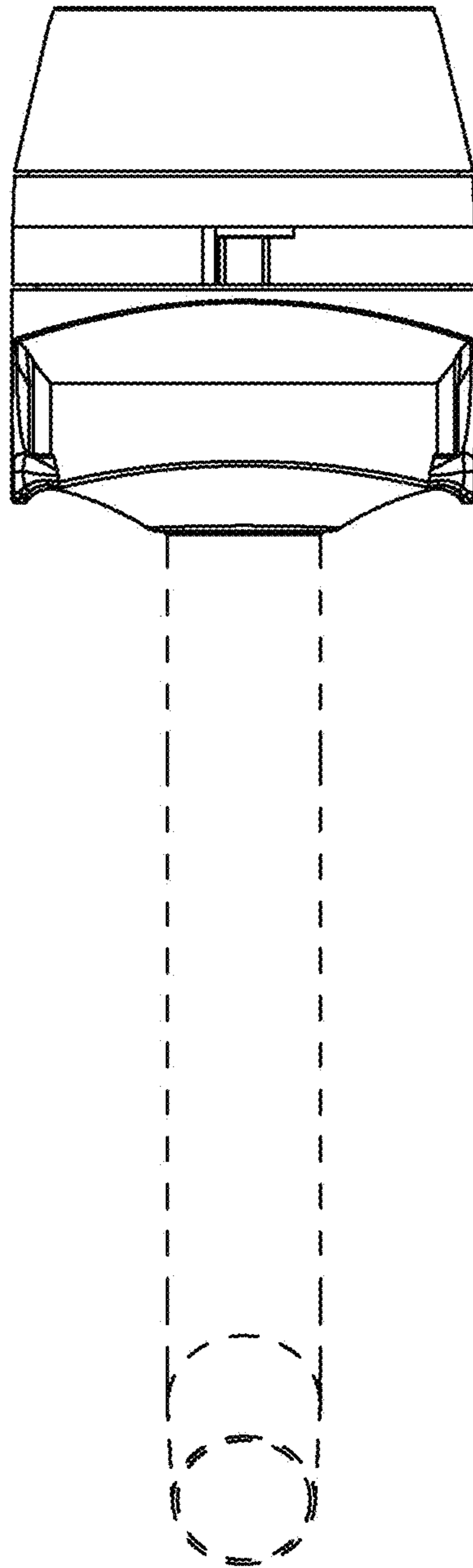


FIG. 4

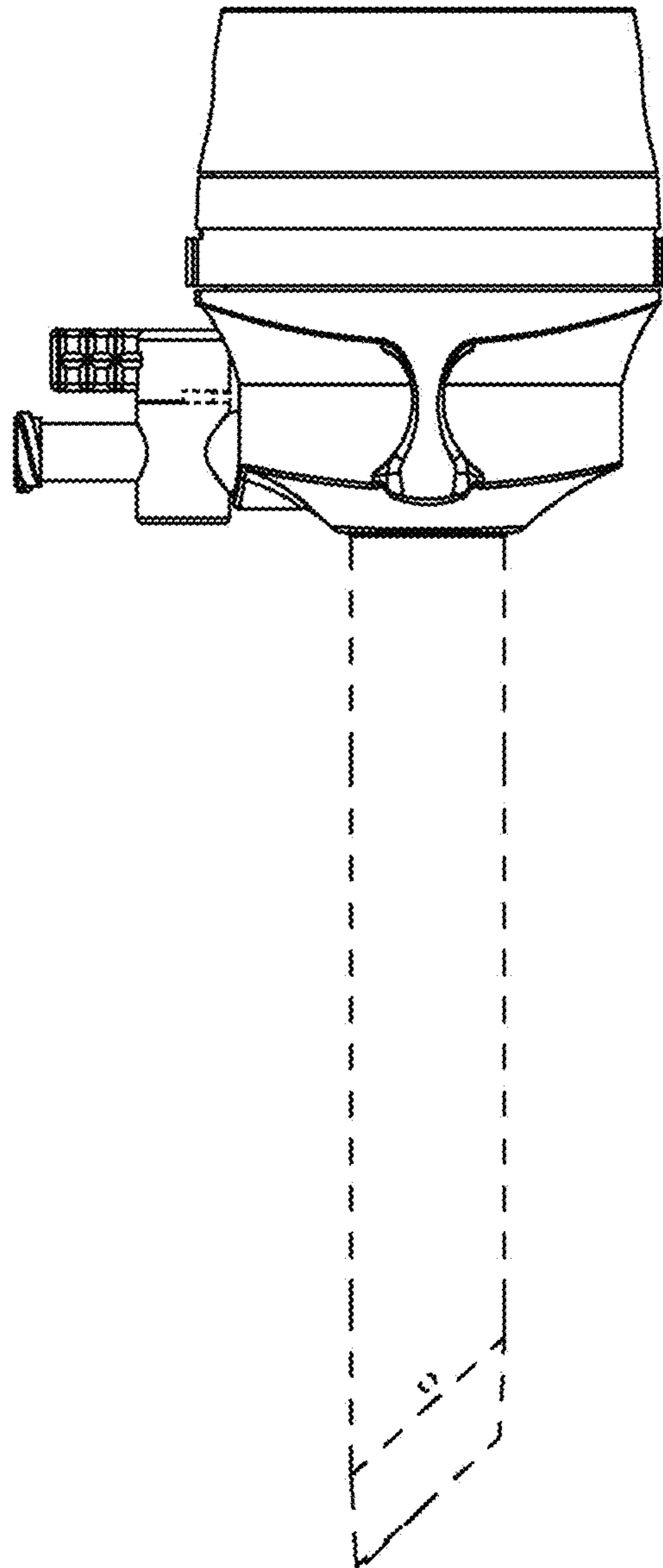


FIG. 5

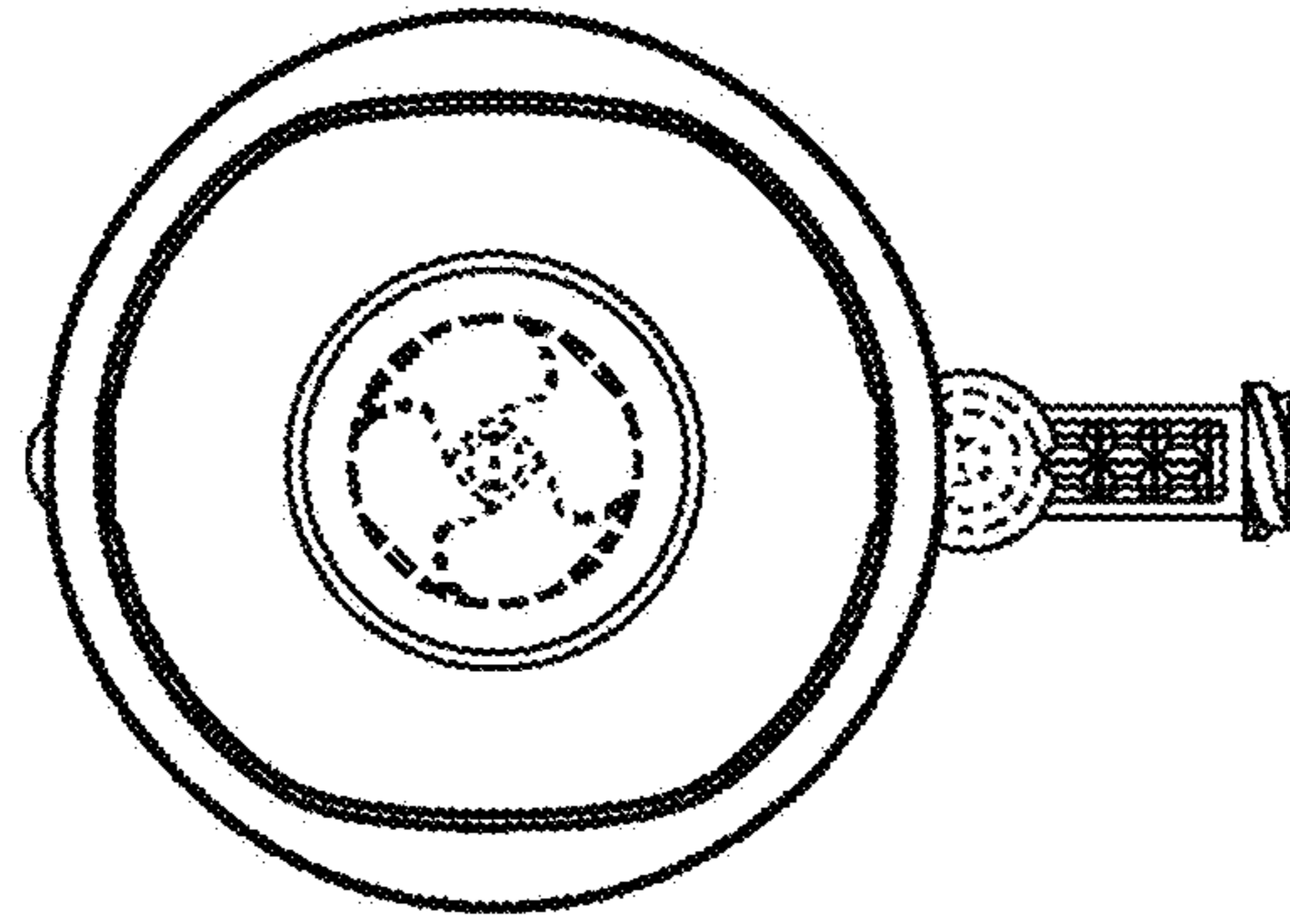


FIG. 6

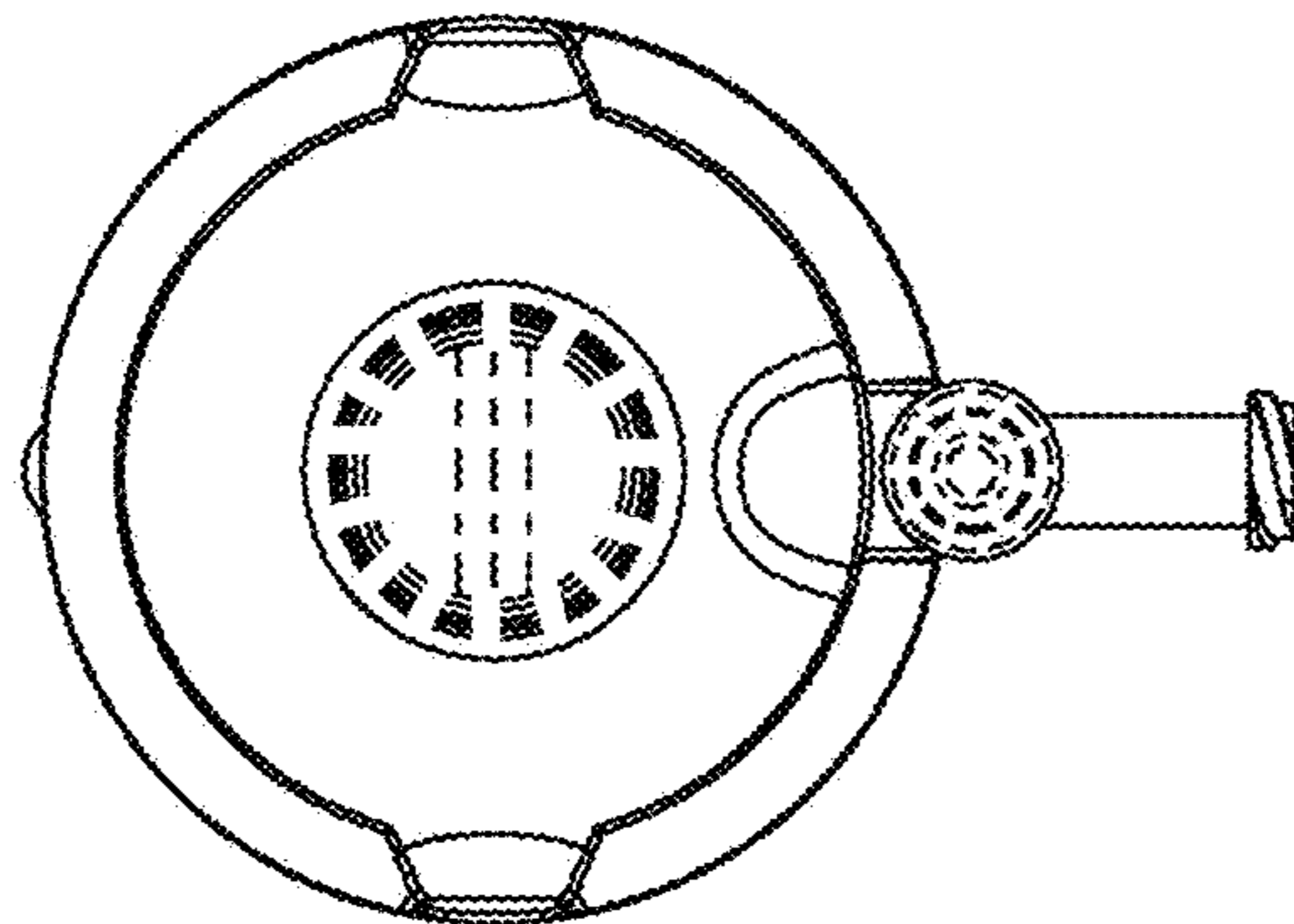


FIG. 7