



US00D790699S

(12) **United States Design Patent** (10) **Patent No.:** **US D790,699 S**
Dexter et al. (45) **Date of Patent:** **** *Jun. 27, 2017**

(54) **SURGICAL TOOL**

(71) Applicant: **Medtronic PS Medical, Inc.**,
Louisville, CO (US)

(72) Inventors: **Shane S. Dexter**, Keller, TX (US);
Zachary Heiliger, Flower Mound, TX
(US)

(73) Assignee: **Medtronic PS Medical, Inc.**,
Louisville, CO (US)

(*) Notice: This patent is subject to a terminal disclaimer.

(**) Term: **14 Years**

(21) Appl. No.: **29/521,690**

(22) Filed: **Mar. 25, 2015**

(51) **LOC (10) Cl.** **24-02**

(52) **U.S. Cl.**
USPC **D24/146**

(58) **Field of Classification Search**
USPC D9/723; D15/138, 139; D24/127, 133,
D24/135, 144, 146, 147; 401/134, 202;
606/48

See application file for complete search history.

(56) **References Cited**

U.S. PATENT DOCUMENTS

233,709 A	10/1880	Starr
288,676 A	11/1883	Stearns
1,043,098 A	11/1912	Gross
1,053,709 A	2/1913	Collins
1,112,349 A	9/1914	Barnes
1,209,362 A	12/1916	Turner
1,539,439 A	5/1925	Smith
1,862,337 A	6/1932	Emrick
2,477,058 A	7/1949	Harborne et al.

2,512,033 A	6/1950	Metz
2,522,388 A	9/1950	Madsen
2,596,594 A	5/1952	Petre
2,682,184 A	6/1954	Szarkowski
2,726,872 A	12/1955	Onsrud

(Continued)

FOREIGN PATENT DOCUMENTS

CH	686 113	1/1996
DE	88 15 261.8	3/1989

(Continued)

OTHER PUBLICATIONS

Product Catalog—vol. 9, Brasseler USA, Case 0:11-cv-01404-MJD-FLN Document 40-3 Filed Nov. 18, 2011—7 pgs.

(Continued)

Primary Examiner — Ian Simmons

Assistant Examiner — Samantha Q Lawrence

(74) *Attorney, Agent, or Firm* — Dicke, Billig & Czaja, PLLC

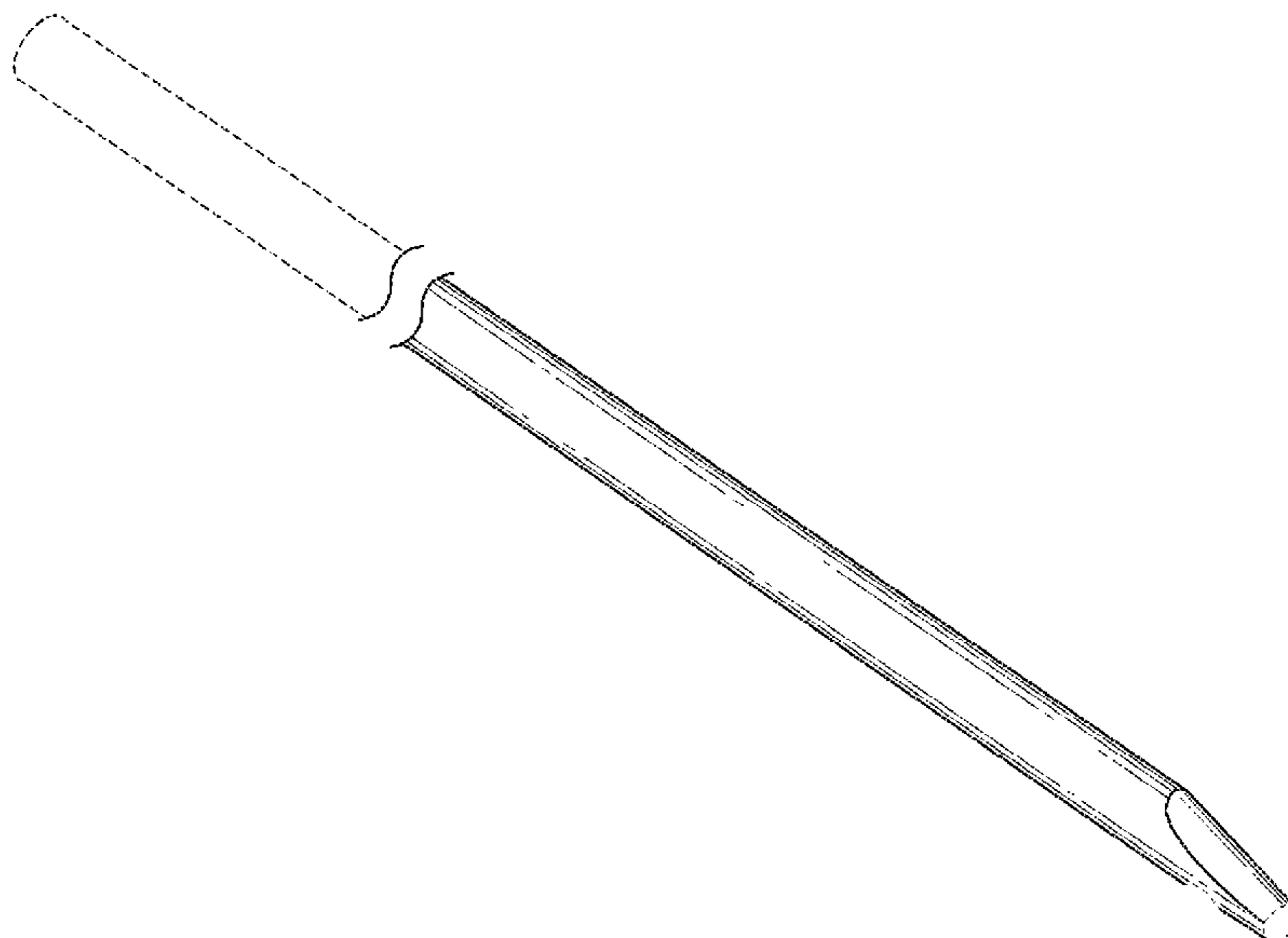
(57) **CLAIM**

The ornamental design for a surgical tool, as shown and described herein.

DESCRIPTION

FIG. 1 is a top and rear perspective view of a surgical tool in accordance with principles of the present disclosure; FIG. 2 is a bottom and rear perspective view thereof; FIG. 3 is a rear end view thereof; FIG. 4 is a front end view thereof; FIG. 5 is a left side view thereof, the right side view being a mirror image; FIG. 6 is a top plan view thereof; and, FIG. 7 is a bottom plan view thereof. The broken lines shown in FIGS. 1-7 illustrate portions of the surgical tool that form no part of the claimed design.

1 Claim, 6 Drawing Sheets



(56)

References Cited

U.S. PATENT DOCUMENTS

2,773,693 A	12/1956	Chittenden	7,261,169 B2	8/2007	Kleine et al.	
3,043,634 A	7/1962	Coley	7,374,375 B2	5/2008	Kleine et al.	
3,136,347 A	6/1964	Linguist	7,429,154 B2	9/2008	Kleine et al.	
3,589,826 A	6/1971	Fenn	7,465,309 B2	12/2008	Walen	
3,637,225 A	1/1972	Schmuck	7,488,327 B2	2/2009	Rathbun et al.	
3,835,858 A	9/1974	Hagen	7,497,860 B2	3/2009	Carusillo et al.	
4,035,100 A	7/1977	Kruger et al.	7,549,992 B2	6/2009	Shores et al.	
4,047,722 A	9/1977	Nielsen et al.	7,559,927 B2	7/2009	Shores et al.	
4,078,593 A	3/1978	Benitz	D609,810 S	2/2010	Cote et al.	
4,107,949 A	8/1978	Wanner et al.	7,669,308 B2	3/2010	Oshnock et al.	
4,123,074 A	10/1978	Wanner	7,691,106 B2	4/2010	Schenberger et al.	
4,146,240 A	3/1979	Nielsen	7,722,054 B2	5/2010	Young	
4,185,383 A	1/1980	Heimke et al.	D617,900 S	6/2010	Kingsley et al.	
4,378,053 A	3/1983	Simpson	D617,901 S	6/2010	Unger et al.	
4,502,734 A	3/1985	Allen	D617,902 S	6/2010	Twomey et al.	
4,512,692 A	4/1985	Nielsen et al.	D617,903 S	6/2010	Unger et al.	
4,565,472 A	1/1986	Brennsteiner et al.	7,766,585 B2	8/2010	Vasudeva et al.	
4,594,036 A	6/1986	Hogehout	D631,962 S *	2/2011	Dorman	D24/135
4,655,651 A	4/1987	Hunger et al.	D636,082 S *	4/2011	Cote	D24/147
4,823,468 A	4/1989	Kollegger	7,922,720 B2	4/2011	May et al.	
4,830,000 A	5/1989	Shutt	D641,468 S	7/2011	Ruiz et al.	
4,917,274 A *	4/1990	Asa	8,043,292 B2	10/2011	Carusillo	
		B01L 3/0275	D648,021 S *	11/2011	Dorman	D24/135
		222/420	D666,294 S	8/2012	Miles et al.	
5,009,440 A	4/1991	Manschitz	8,361,068 B2	1/2013	McClurken	
5,116,353 A	5/1992	Green	8,419,760 B2	4/2013	Wiebe, III	
5,203,654 A	4/1993	Henderson	8,518,065 B2	8/2013	Shores et al.	
5,256,147 A	10/1993	Vidal et al.	D692,134 S *	10/2013	Lee-Sepsick	D24/146
5,263,786 A	11/1993	Kageyama	8,597,316 B2	12/2013	McCombs	
5,286,145 A	2/1994	Kleine	8,702,710 B2	4/2014	Carusillo	
5,352,234 A	10/1994	Scott	8,801,713 B2	8/2014	Del Rio et al.	
5,382,249 A	1/1995	Fletcher	8,893,820 B2	11/2014	Barhitte et al.	
5,421,682 A	6/1995	Obermeier et al.	D728,098 S *	4/2015	Schad	D24/146
5,439,005 A	8/1995	Vaughn	D728,099 S *	4/2015	Schad	D24/146
5,487,626 A	1/1996	Von Holst et al.	D744,650 S *	12/2015	Catron	D24/146
5,499,985 A	3/1996	Hein et al.	D746,457 S *	12/2015	Swick	D24/146
5,505,737 A	4/1996	Gosselin et al.	D747,477 S	1/2016	Freigang et al.	
5,549,634 A	8/1996	Scott et al.	D753,826 S	4/2016	Eggeling et al.	
5,569,256 A	10/1996	Vaughn et al.	2002/0105149 A1	8/2002	Karst	
D377,982 S	2/1997	Walen	2002/0151902 A1	10/2002	Riedel et al.	
5,601,560 A	2/1997	Del Rio et al.	2002/0171208 A1	11/2002	Lechot et al.	
5,634,933 A	6/1997	McCombs et al.	2003/0097133 A1	5/2003	Green et al.	
5,697,158 A	12/1997	Klinzing et al.	2003/0140743 A1	7/2003	Ofentavsek	
5,720,749 A	2/1998	Rupp	2003/0163134 A1	8/2003	Riedel et al.	
5,735,535 A	4/1998	McCombs et al.	2003/0229351 A1	12/2003	Tidwell et al.	
5,741,263 A	4/1998	Umber et al.	2005/0027282 A1 *	2/2005	Schweikert	A61B 17/3415 604/523
5,782,836 A	7/1998	Umber et al.	2005/0072007 A1	4/2005	Proulx	
5,810,802 A	9/1998	Panescu et al.	2005/0232715 A1	10/2005	Baumann et al.	
5,833,704 A	11/1998	McCombs et al.	2006/0053974 A1	3/2006	Blust et al.	
5,893,851 A	4/1999	Umber et al.	2007/0172321 A1	7/2007	Nagai	
5,928,241 A	7/1999	Menut et al.	2007/0282329 A1	12/2007	Kawano	
5,941,891 A	8/1999	Walen	2008/0033280 A1 *	2/2008	Lubbock	A61B 17/3468 600/414
5,989,257 A	11/1999	Tidwell et al.	2009/0024129 A1	1/2009	Gordon et al.	
6,000,940 A	12/1999	Buss et al.	2009/0312779 A1	12/2009	Boykin et al.	
6,007,541 A	12/1999	Scott	2010/0063524 A1	3/2010	McCombs	
6,062,575 A	5/2000	Mickel et al.	2010/0076477 A1	3/2010	Jeziarski et al.	
6,209,886 B1	4/2001	Estes et al.	2011/0022069 A1	1/2011	Mitusina	
6,261,035 B1	7/2001	Moores et al.	2011/0190803 A1	8/2011	To et al.	
6,267,763 B1	7/2001	Castro	2011/0218562 A1	9/2011	Viola et al.	
6,290,525 B1	9/2001	Jacobi	2011/0238070 A1	9/2011	Santangelo et al.	
6,409,221 B1	6/2002	Robinson et al.	2011/0270293 A1	11/2011	Malla et al.	
6,447,484 B1 *	9/2002	Briscoe	2011/0270294 A1	11/2011	Rubin	
		A61B 17/3415	2012/0070220 A1	3/2012	Ruiz et al.	
		604/164.02	2013/0110147 A1	5/2013	Dame	
6,607,533 B2	8/2003	Del Rio et al.	2013/0116659 A1	5/2013	Porter	
6,612,588 B2	9/2003	Ostermeier et al.	2013/0138096 A1	5/2013	Benn	
6,688,610 B2	2/2004	Huggins et al.	2013/0144267 A1	6/2013	Chan et al.	
6,723,101 B2	4/2004	Fletcher et al.	2013/0296848 A1	11/2013	Allen, IV et al.	
6,733,218 B2	5/2004	Del Rio et al.	2014/0056656 A1	2/2014	Bae et al.	
D492,412 S	6/2004	Desoutter et al.	2014/0124231 A1	5/2014	Hessenberger et al.	
6,746,153 B2	6/2004	Del Rio et al.	2014/0163558 A1	6/2014	Cosgrove et al.	
6,780,189 B2	8/2004	Tidwell et al.	2014/0336654 A1	11/2014	Pilgeram	
6,811,190 B1	11/2004	Ray et al.				
7,001,391 B2	2/2006	Estes et al.				
7,011,661 B2	3/2006	Riedel et al.				
7,066,940 B2	6/2006	Riedel et al.				
D536,791 S	2/2007	Esckridge et al.				

(56)

References Cited

U.S. PATENT DOCUMENTS

2014/0350561 A1 11/2014 Dacosta et al.
2014/0371752 A1 12/2014 Anderson

FOREIGN PATENT DOCUMENTS

DE	102012101259	8/2013
EP	0293327	11/1988
EP	0216354	7/1991
EP	1101459	2/2006
EP	1289714	8/2008
EP	1514034	10/2011
FR	1330849	6/1963
GB	2129730	5/1984
RU	2077275	4/1997
WO	9608343	3/1996
WO	01/66024	9/2001
WO	01/89769	11/2001
WO	2014/037134	3/2014
WO	2014/176060	10/2014

OTHER PUBLICATIONS

International Search Report and Written Opinion for International Application No. PCT/US2016/018686 mailed Jul. 22, 2016 (17 pgs).

* cited by examiner

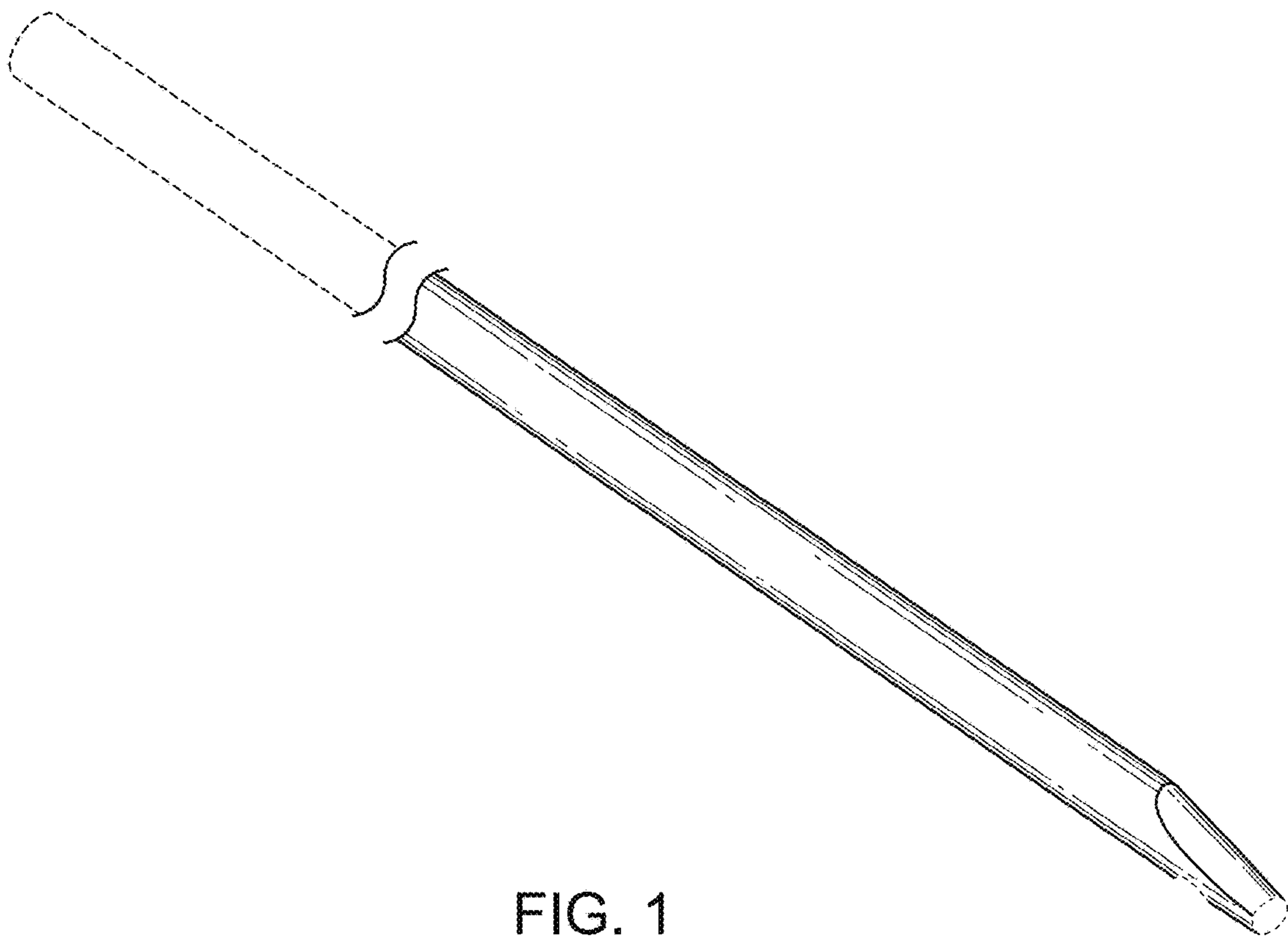


FIG. 1

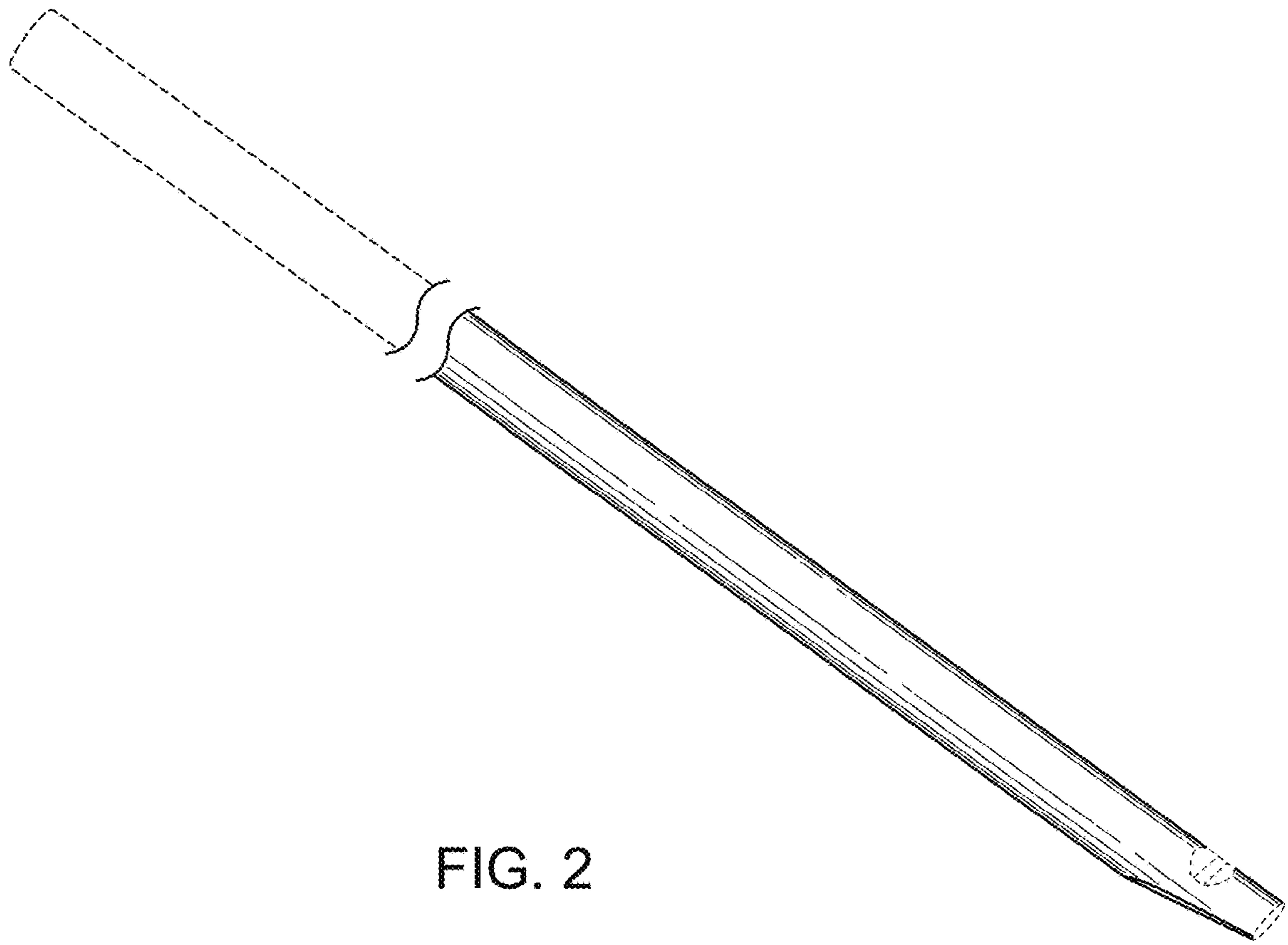


FIG. 2

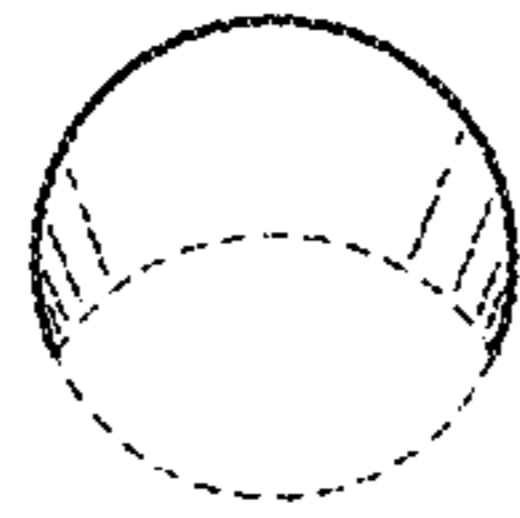


FIG. 3

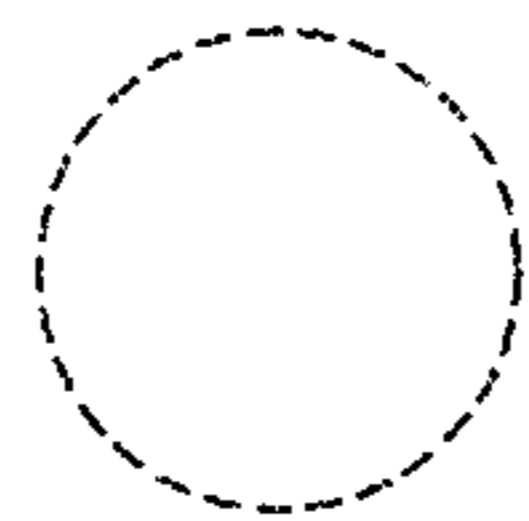


FIG. 4

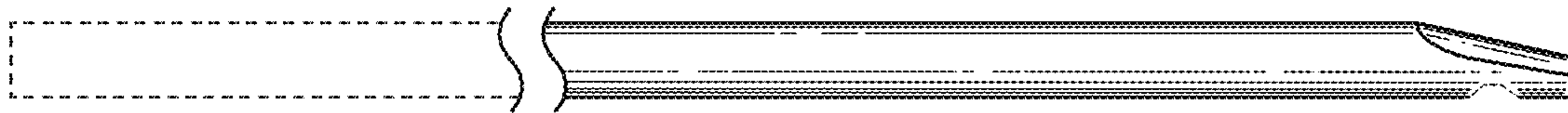


FIG. 5

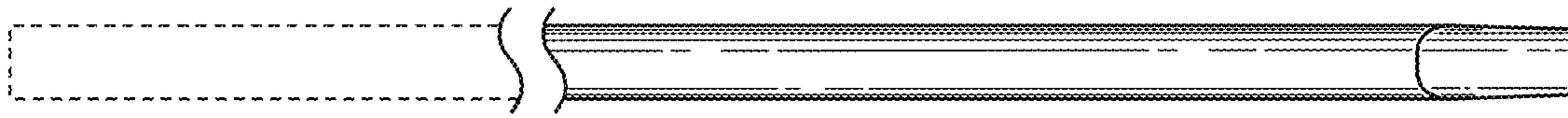


FIG. 6

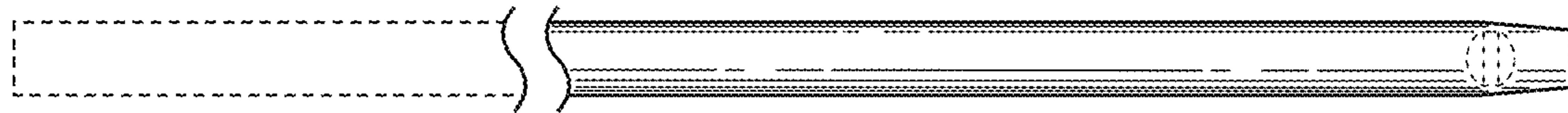


FIG. 7