



US00D790698S

(12) **United States Design Patent**  
**Oldham et al.**

(10) **Patent No.:** **US D790,698 S**

(45) **Date of Patent:** **\*\* Jun. 27, 2017**

(54) **APPARATUS FOR LOADING SUTURE**

(71) Applicant: **Anchor Orthopedics XT Inc.**,  
Mississauga (CA)

(72) Inventors: **Andrew Oldham**, Etobicoke (CA);  
**Lyndsay Stephenson**, Toronto (CA);  
**Natalia Burachynsky**, Toronto (CA);  
**Robert Harrison**, Milton (CA); **Ilinca Popovici**, Toronto (CA); **Neil Godara**, Milton (CA); **Jeffery Arnett**, Gilbert, AZ (US)

(73) Assignee: **ANCHOR ORTHOPEDICS XT INC.**,  
Mississauga, Ontario (CA)

(\*\*) Term: **15 Years**

(21) Appl. No.: **29/547,102**

(22) Filed: **Dec. 1, 2015**

(51) **LOC (10) Cl.** ..... **24-02**

(52) **U.S. Cl.**  
USPC ..... **D24/145**

(58) **Field of Classification Search**  
USPC ..... D24/145-147, 133  
CPC ..... A61B 17/0469; A61B 17/0483; A61B 17/06004; A61B 17/0625  
See application file for complete search history.

(56) **References Cited**

**U.S. PATENT DOCUMENTS**

- 5,478,344 A \* 12/1995 Stone ..... A61B 17/0625  
206/339
- D374,284 S \* 10/1996 Stone ..... D24/145
- D374,285 S \* 10/1996 DeFonzo ..... D24/145

- 5,591,181 A \* 1/1997 Stone ..... A61B 17/0469  
206/239
- 5,755,729 A \* 5/1998 de la Torre ..... A61B 17/0469  
112/169
- 2016/0000422 A1\* 1/2016 Harrison ..... A61B 17/0625  
606/144

**FOREIGN PATENT DOCUMENTS**

WO WO2015/140606 A1 9/2015

\* cited by examiner

*Primary Examiner* — Wan Laymon  
(74) *Attorney, Agent, or Firm* — Nir Lifshitz; Glenn Arnold

(57) **CLAIM**

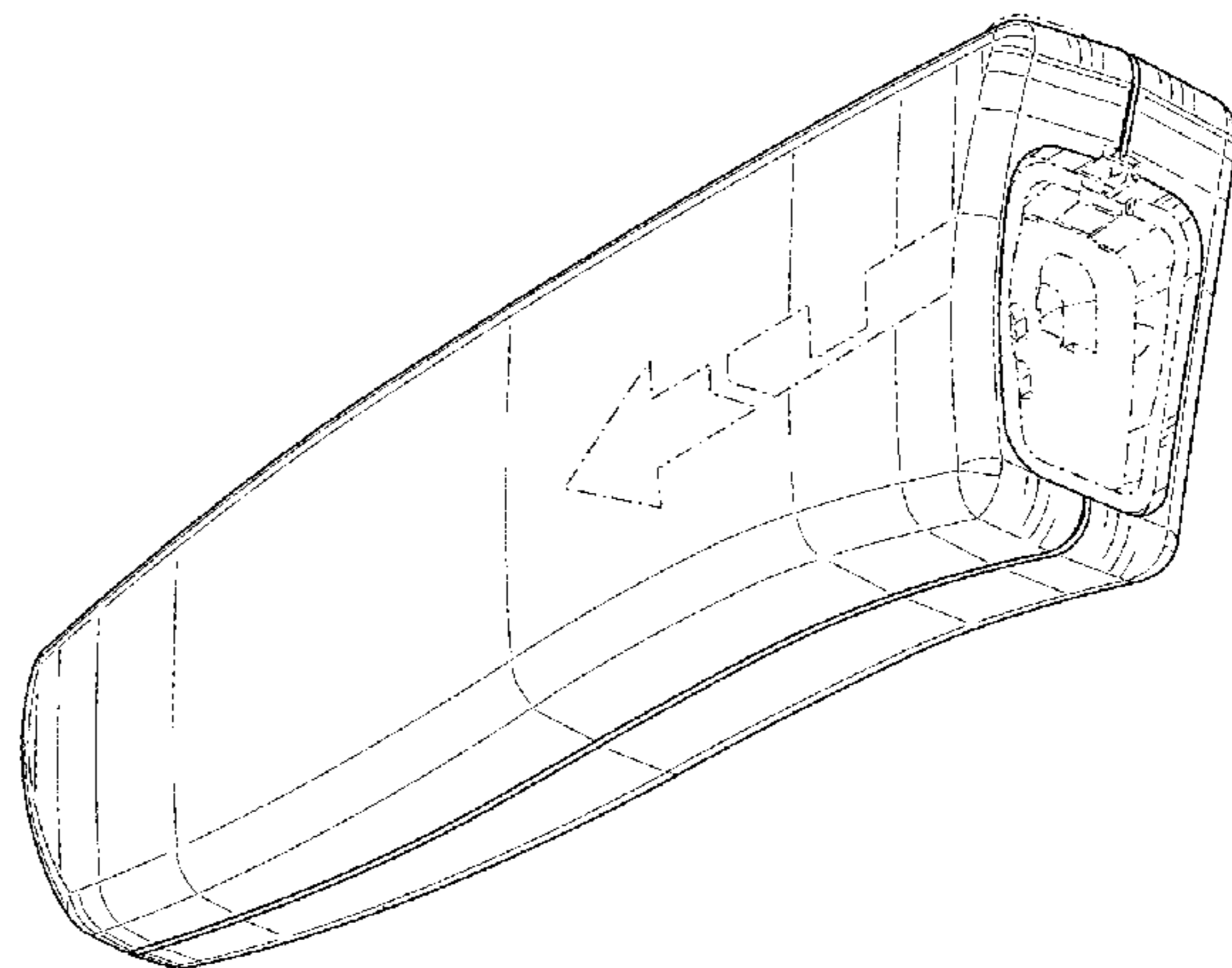
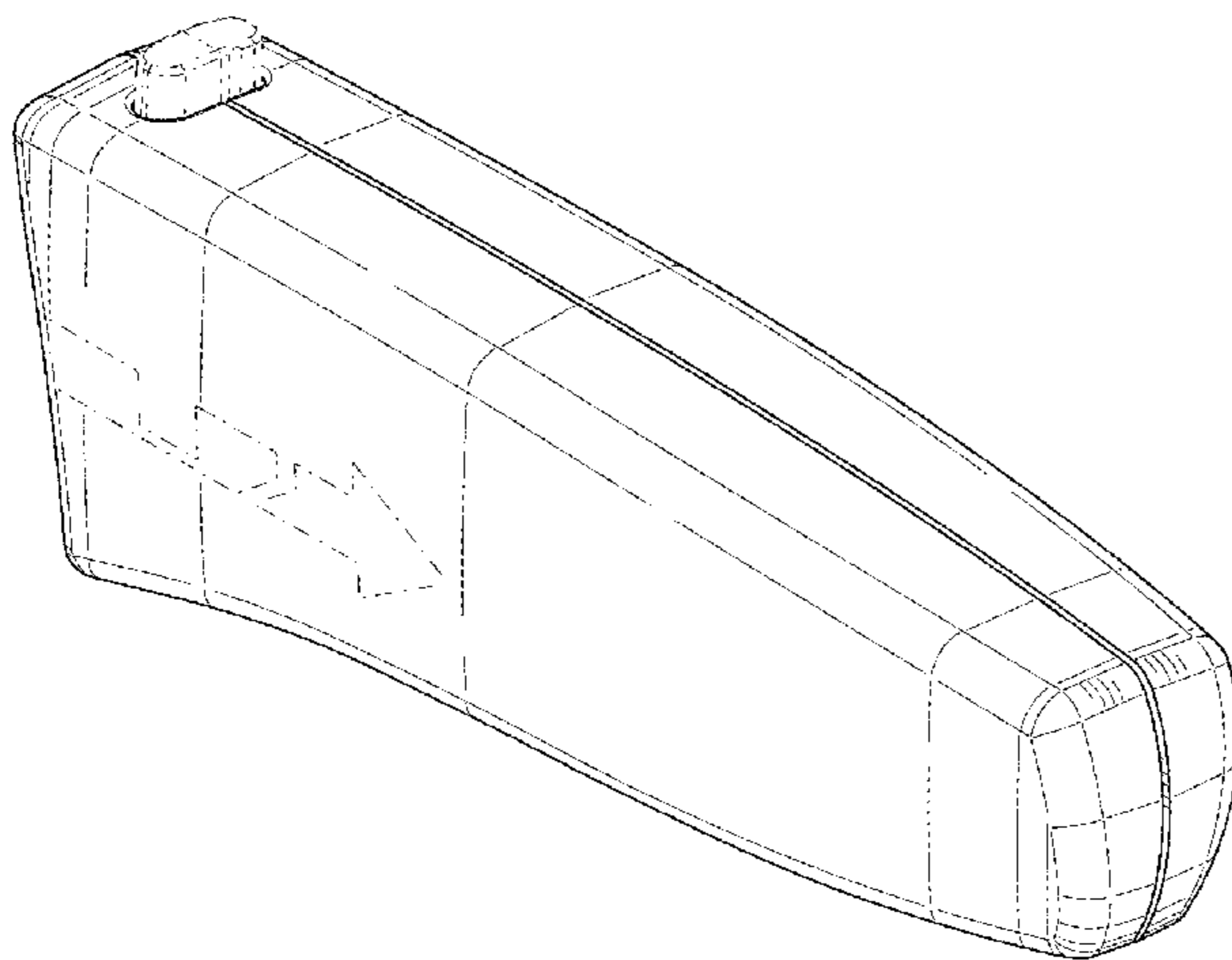
The ornamental design for an apparatus for loading suture, as shown and described.

**DESCRIPTION**

FIG. 1 is a front top right perspective view of an apparatus for loading suture, showing our new design;  
 FIG. 2 is a rear bottom left perspective view of the apparatus for loading suture of FIG. 1;  
 FIG. 3 is a top side view of the apparatus for loading suture of FIG. 1;  
 FIG. 4 is a bottom side view of the apparatus for loading suture of FIG. 1;  
 FIG. 5 is a right side view of the apparatus for loading suture of FIG. 1;  
 FIG. 6 is a left side view of the apparatus for loading suture of FIG. 1;  
 FIG. 7 is a front side view of the apparatus for loading suture of FIG. 1; and,  
 FIG. 8 is a rear side view of the apparatus for loading suture of FIG. 1.

The broken lines immediately adjacent the shaded areas represent the bounds of the claimed design while all other broken lines are directed to environment and are for illustrative purposes only; the broken lines form no part of the claimed design.

**1 Claim, 4 Drawing Sheets**



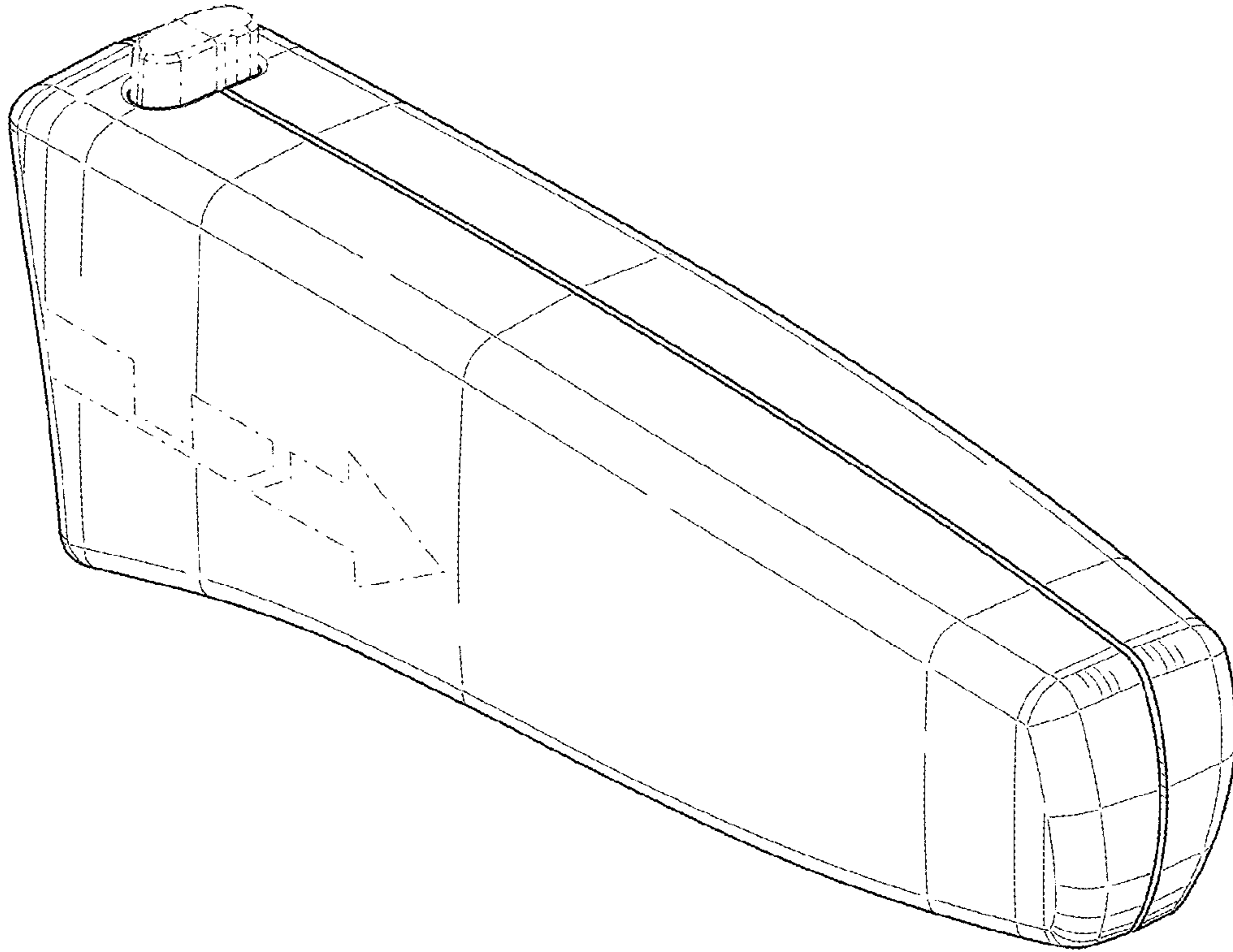


FIG. 1

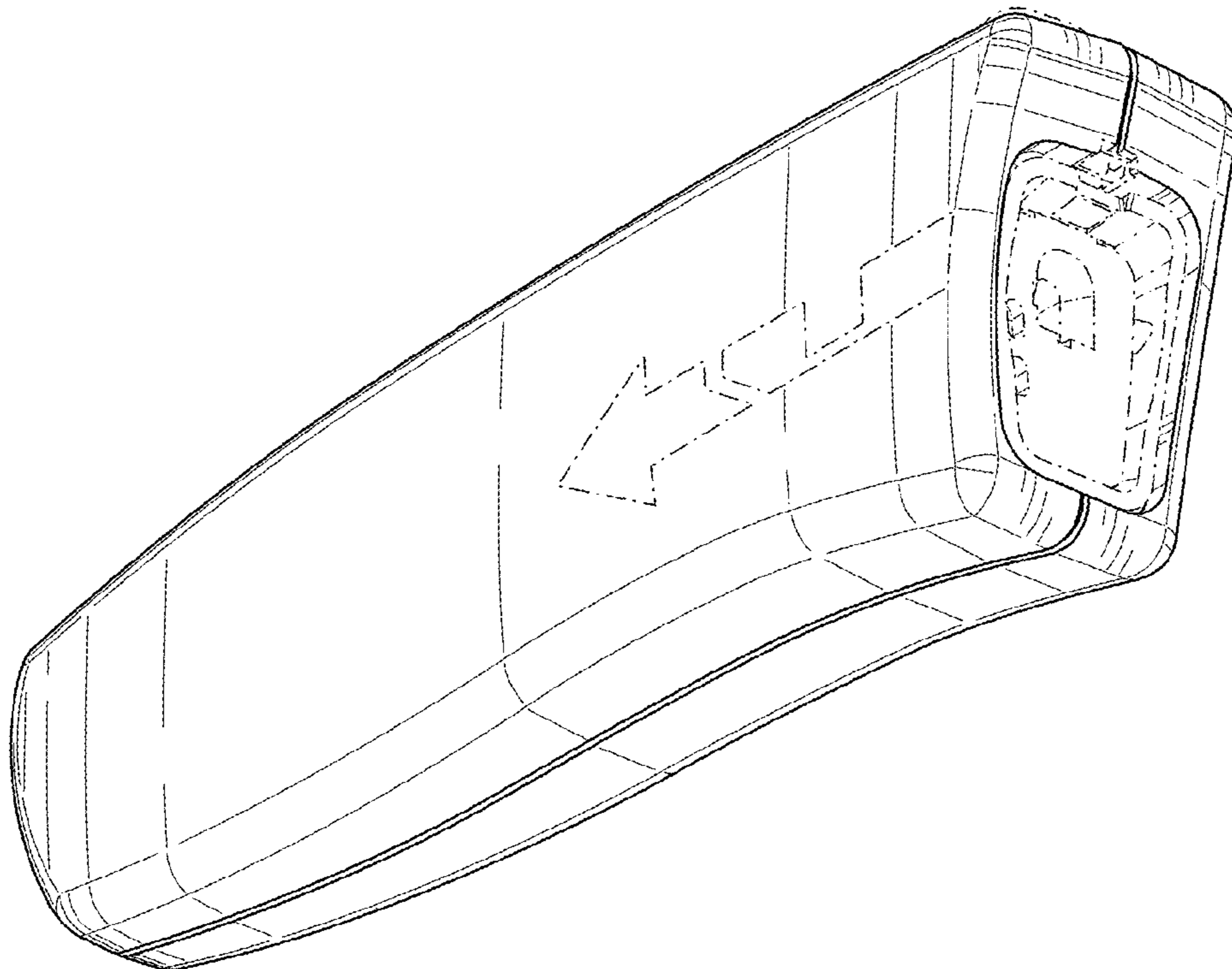


FIG. 2

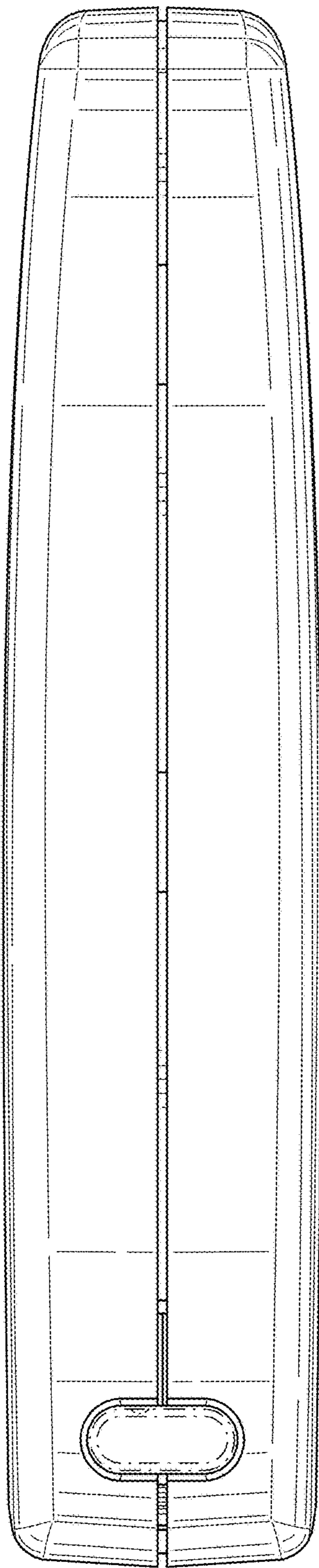


FIG. 3

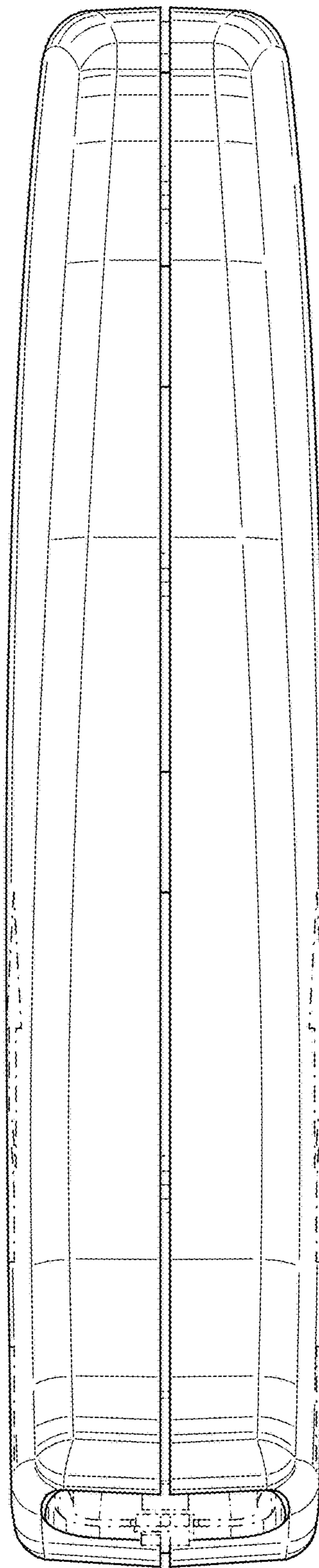


FIG. 4

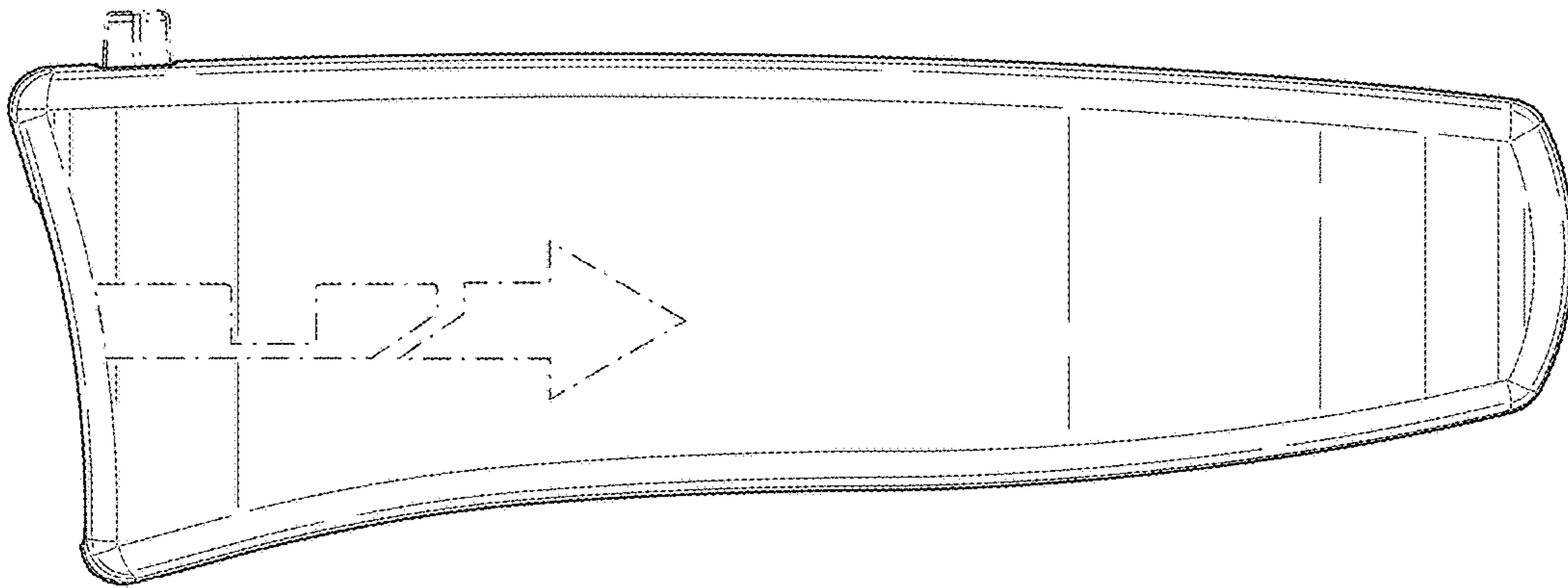


FIG. 5

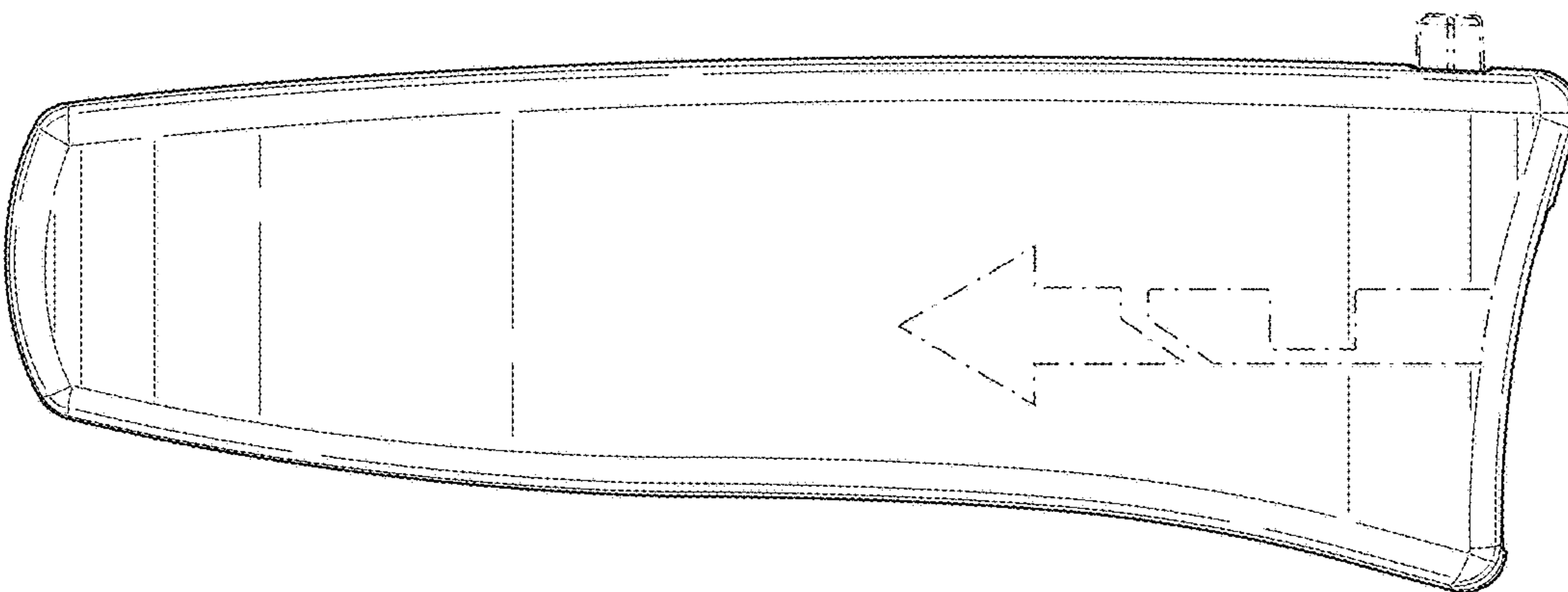


FIG. 6

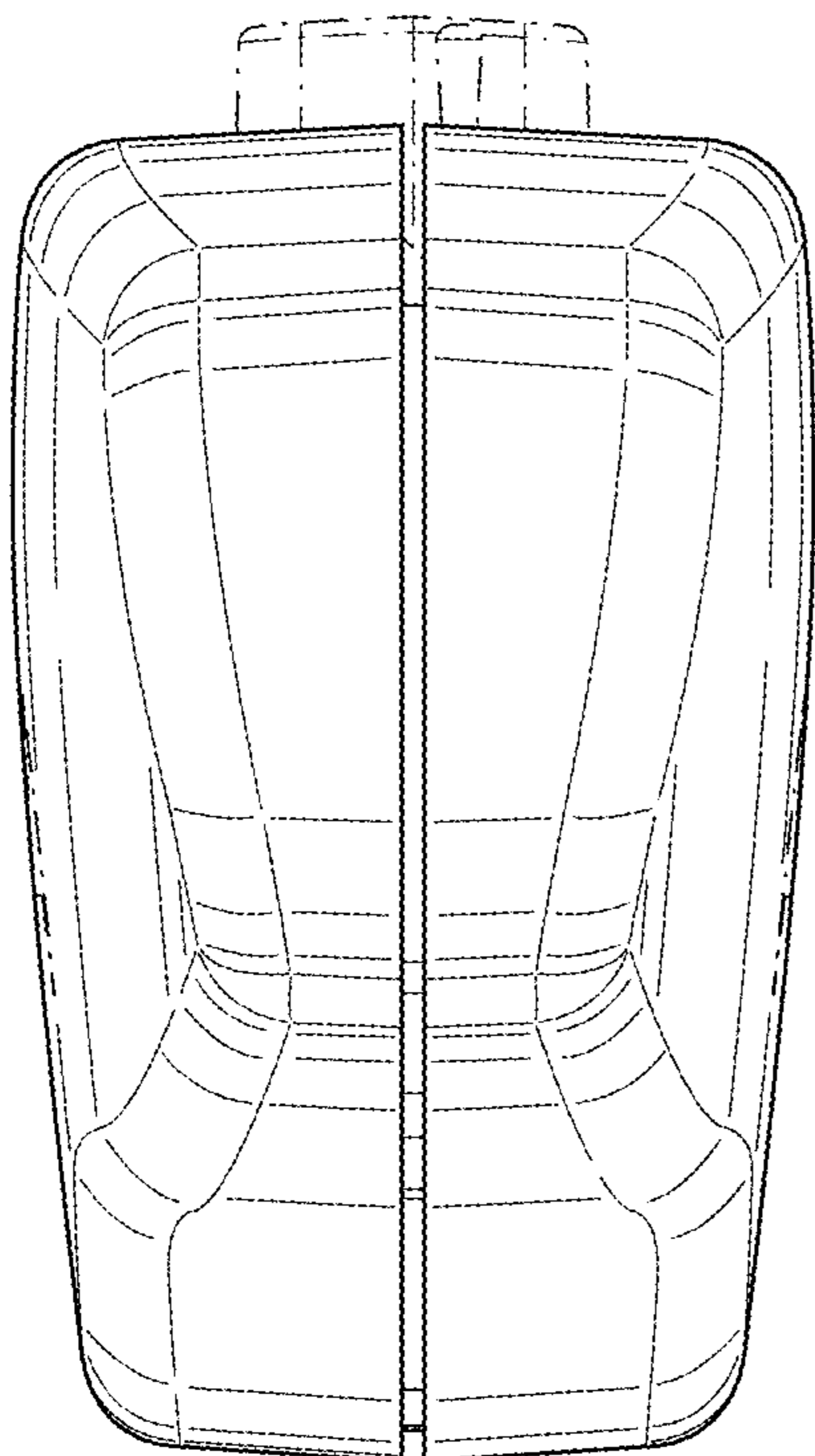


FIG. 7

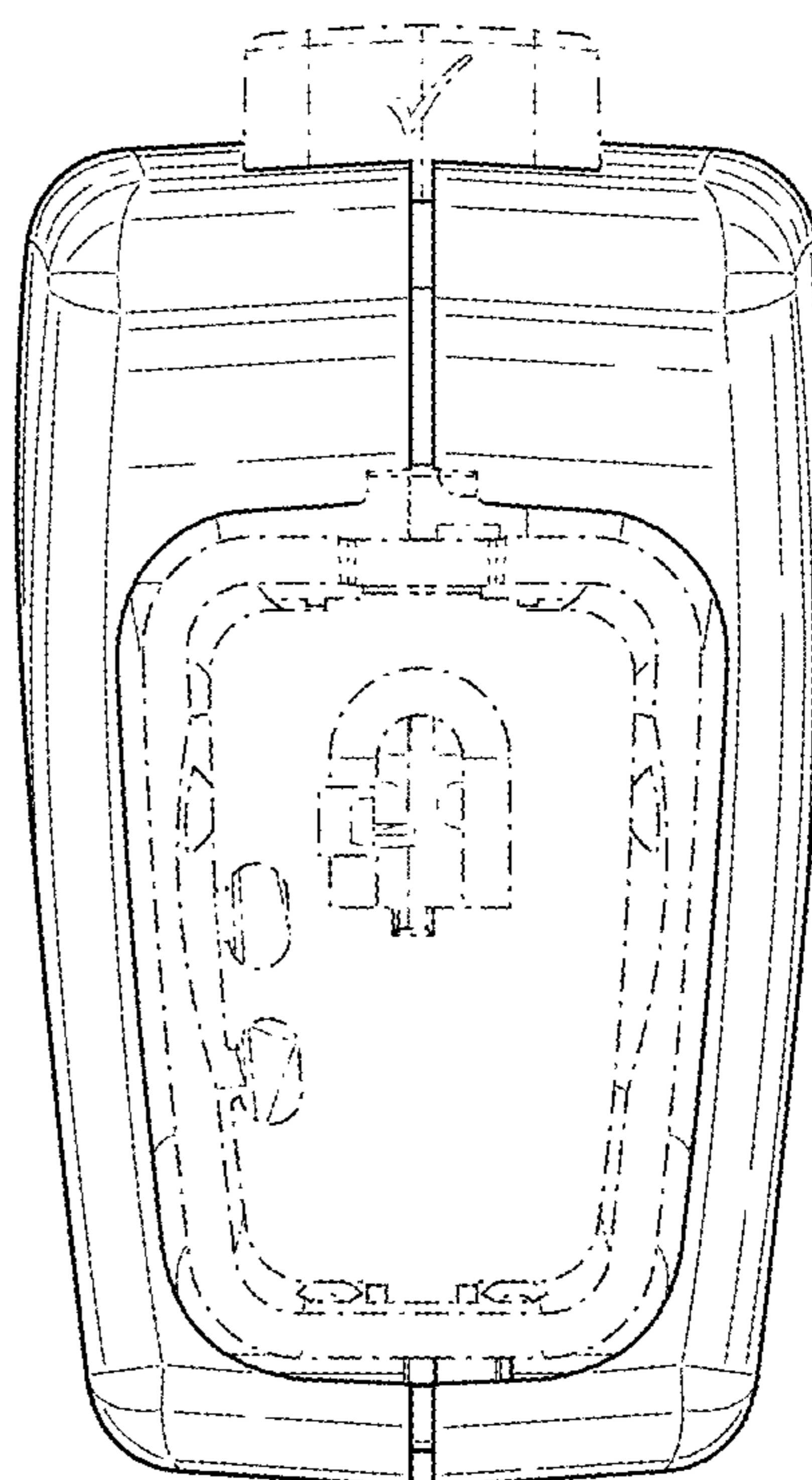


FIG. 8