



US00D790692S

(12) **United States Design Patent** (10) **Patent No.:** **US D790,692 S**
Pappalardo (45) **Date of Patent:** **** Jun. 27, 2017**

- (54) **ADAPTER COLLAR FOR A SYRINGE**
- (71) Applicant: **Nordson Corporation**, Westlake, OH (US)
- (72) Inventor: **Matthew E. Pappalardo**, Ewing, NJ (US)
- (73) Assignee: **Nordson Corporation**, Westlake, OH (US)
- (**) Term: **15 Years**
- (21) Appl. No.: **29/551,048**
- (22) Filed: **Jan. 9, 2016**

- D382,958 S 8/1997 Wolff
- D393,722 S 4/1998 Fangrow, Jr. et al.
- D397,790 S * 9/1998 Naganuma D24/127
- D399,559 S 10/1998 Molina
- D421,120 S 2/2000 Brotspies et al.
- D427,309 S 6/2000 Molina
- D428,141 S 7/2000 Brotspies et al.
- D438,467 S * 3/2001 Durand D9/434
- D439,664 S 3/2001 Cuschieri et al.
- D476,747 S 7/2003 Savion et al.
- D581,527 S 11/2008 Jansen
- D608,900 S 1/2010 Giraud et al.
- D614,296 S 4/2010 Young
- D616,090 S 5/2010 Kawamura
- D620,591 S * 7/2010 Young D24/130
- D621,929 S 8/2010 Van der Stappen

(Continued)

Related U.S. Application Data

- (62) Division of application No. 29/471,389, filed on Oct. 31, 2013, now Pat. No. Des. 750,239.
- (51) **LOC (10) Cl.** **24-01**
- (52) **U.S. Cl.**
USPC **D24/130**
- (58) **Field of Classification Search**
USPC D24/127-131, 112-114, 133, 186;
606/181, 185; 604/264, 272, 115, 232,
604/187, 158, 164.08, 192, 263, 163, 181,
604/184, 198, 227; 600/101, 139, 143;
128/200.24, 207.14, 207.15
CPC F16L 17/08; B25B 13/463; B60R 22/24;
F42B 6/08
See application file for complete search history.

References Cited

U.S. PATENT DOCUMENTS

- D165,591 S 1/1952 Lee
- D293,130 S * 12/1987 Ashie D24/128
- D314,622 S 2/1991 Andersson et al.
- D326,155 S 5/1992 Boehringer et al.
- 5,462,533 A 10/1995 Daugherty

Primary Examiner — David Muller

Assistant Examiner — Nathan Johnston

(74) *Attorney, Agent, or Firm* — Baker & Hostetler LLP

(57) **CLAIM**

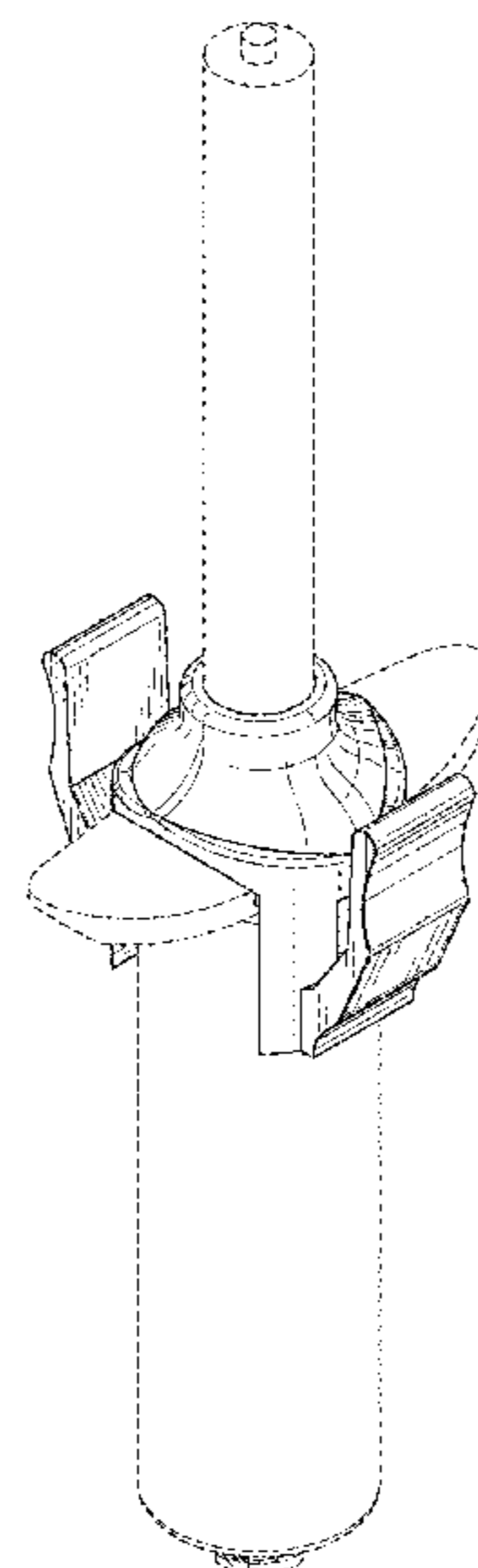
The ornamental design for an adapter collar for a syringe, as shown and described.

DESCRIPTION

FIG. 1 is a perspective view of the adapter collar.
 FIG. 2 is an enlarged perspective view of the adapter collar shown in FIG. 1 without the broken lines.
 FIG. 3 is a front elevation view thereof, the rear elevation view being identical thereto.
 FIG. 4 is a right side elevation view thereof, the left side elevation view being identical thereto.
 FIG. 5 is a top plan view thereof.
 FIG. 6 is a bottom plan view thereof; and,
 FIG. 7 is a cross-sectional view taken along line 7-7 of FIG. 5.

The broken lines showing parts of the adapter collar for a syringe are included for the purpose of illustrating use and environment and form no part of the claimed design.

1 Claim, 3 Drawing Sheets



(56)

References Cited

U.S. PATENT DOCUMENTS

D637,713	S	*	5/2011	Nord	D24/129
D659,825	S	*	5/2012	Dillard, III	D24/130
D674,088	S	*	1/2013	Lev	D24/129
D688,952	S	*	9/2013	Pappalardo	B05C 17/00506 D9/724
D709,753	S		7/2014	Guala	
D718,439	S		11/2014	Woehr et al.	
D726,551	S		4/2015	Pappalardo	
D750,239	S	*	2/2016	Pappalardo	D24/130
D750,775	S	*	3/2016	Carrel	D24/130
D757,935	S	*	5/2016	Solingen	D24/133
D765,838	S	*	9/2016	McGarry	D24/130
2003/0078548	A1		4/2003	Kobayashi	
2004/0220533	A1		11/2004	Caizza et al.	
2007/0083164	A1	*	4/2007	Barrelle	A61J 7/0053 604/187
2008/0033371	A1		2/2008	Updegraff et al.	
2008/0188799	A1		8/2008	Mueller-Beckhaus et al.	
2013/0123711	A1		5/2013	Schoonmaker et al.	
2015/0112297	A1		4/2015	Lev et al.	

* cited by examiner

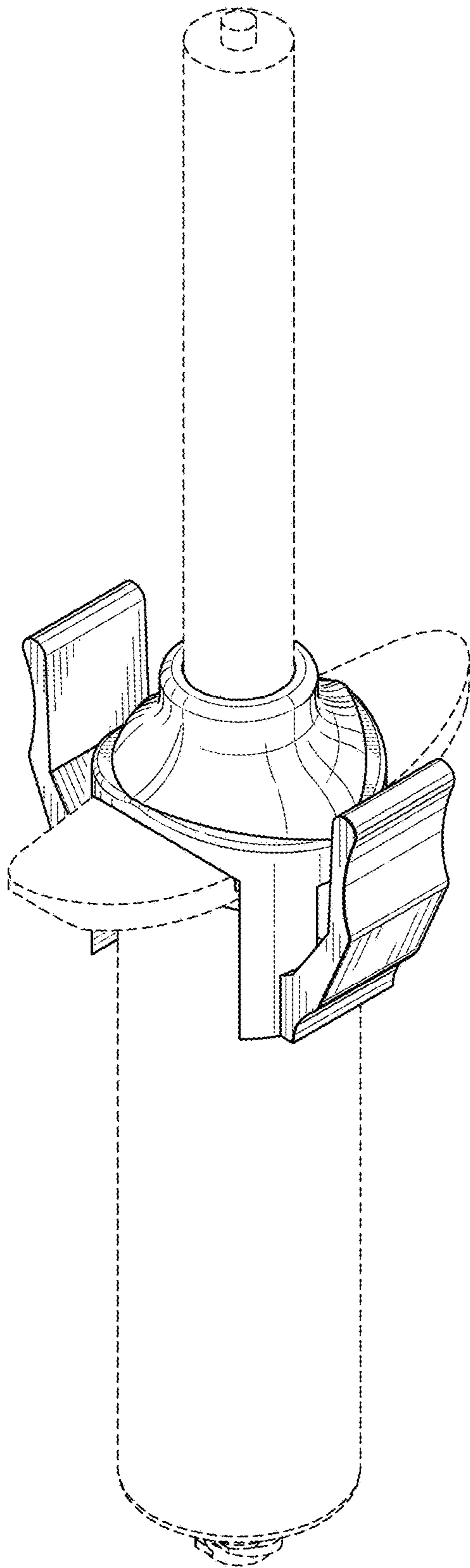


FIG. 1

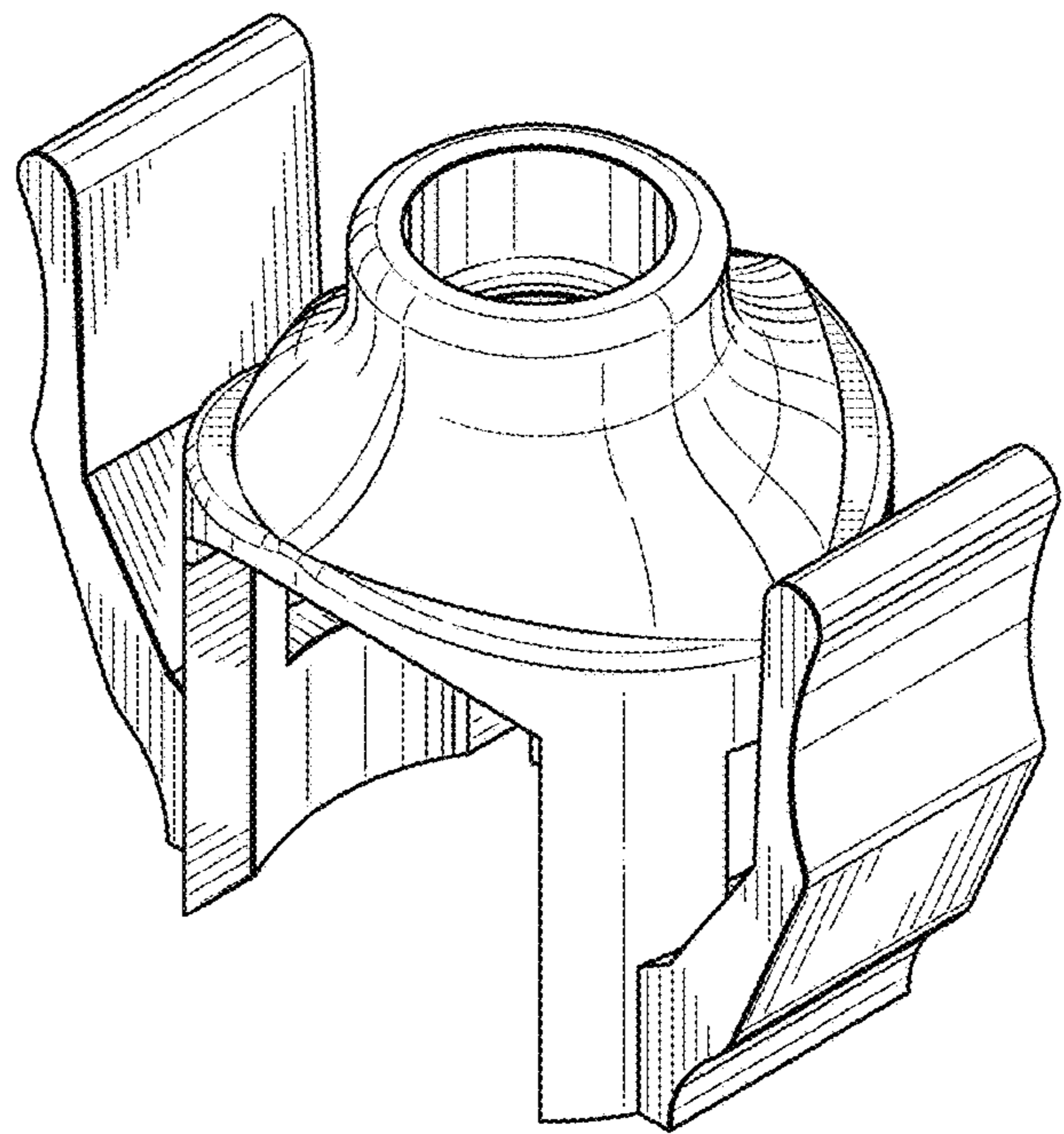


FIG. 2

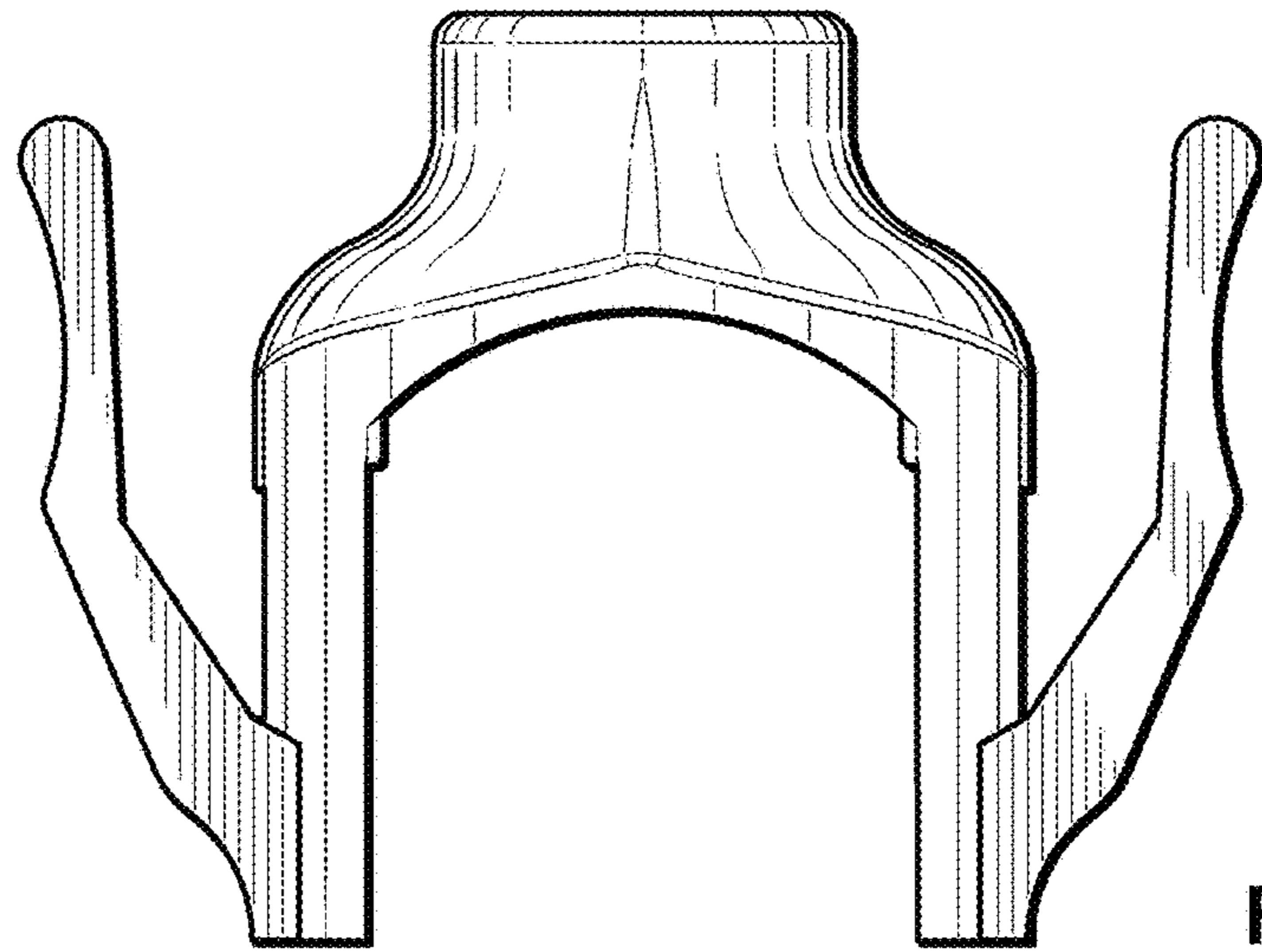


FIG. 3

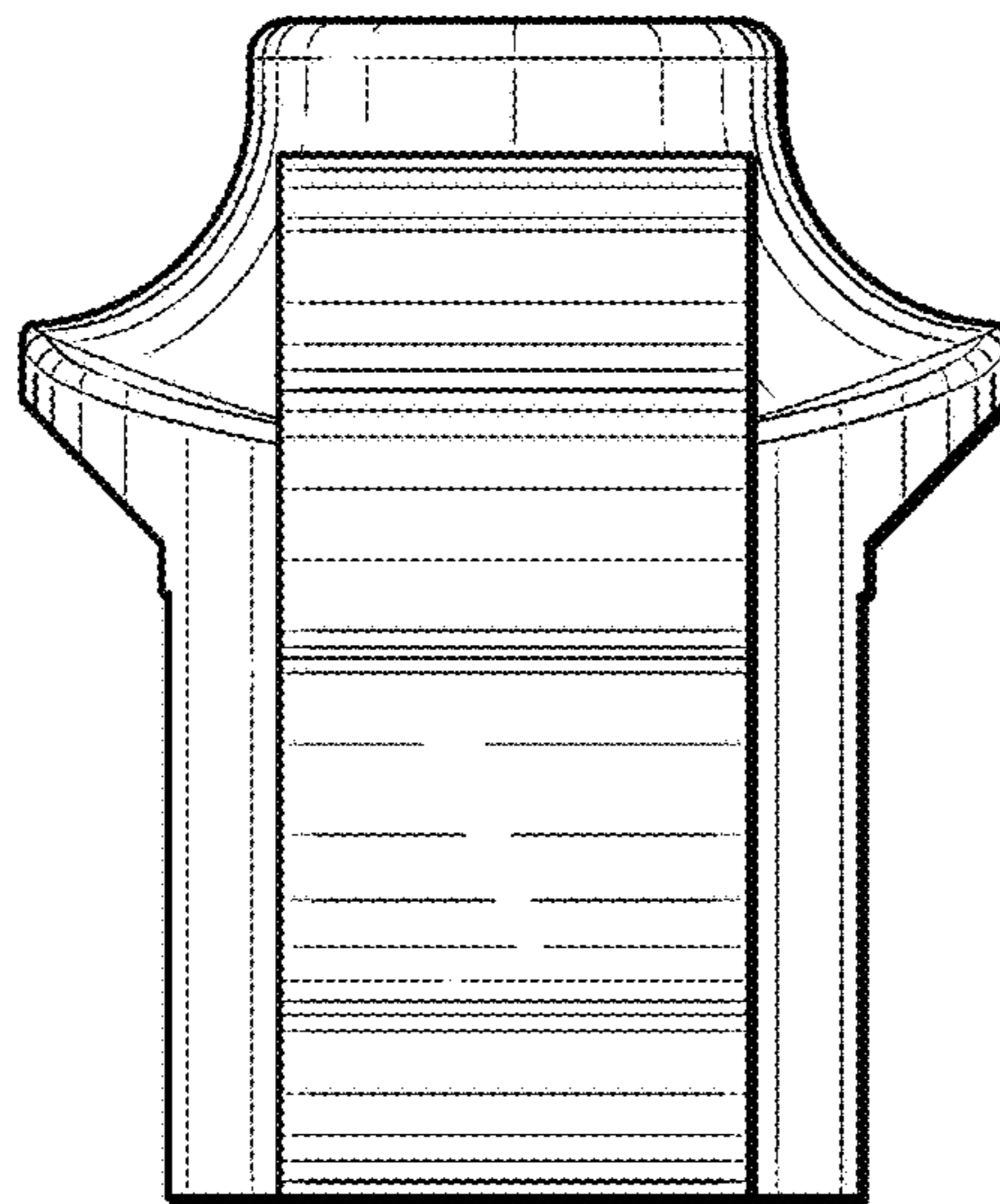


FIG. 4

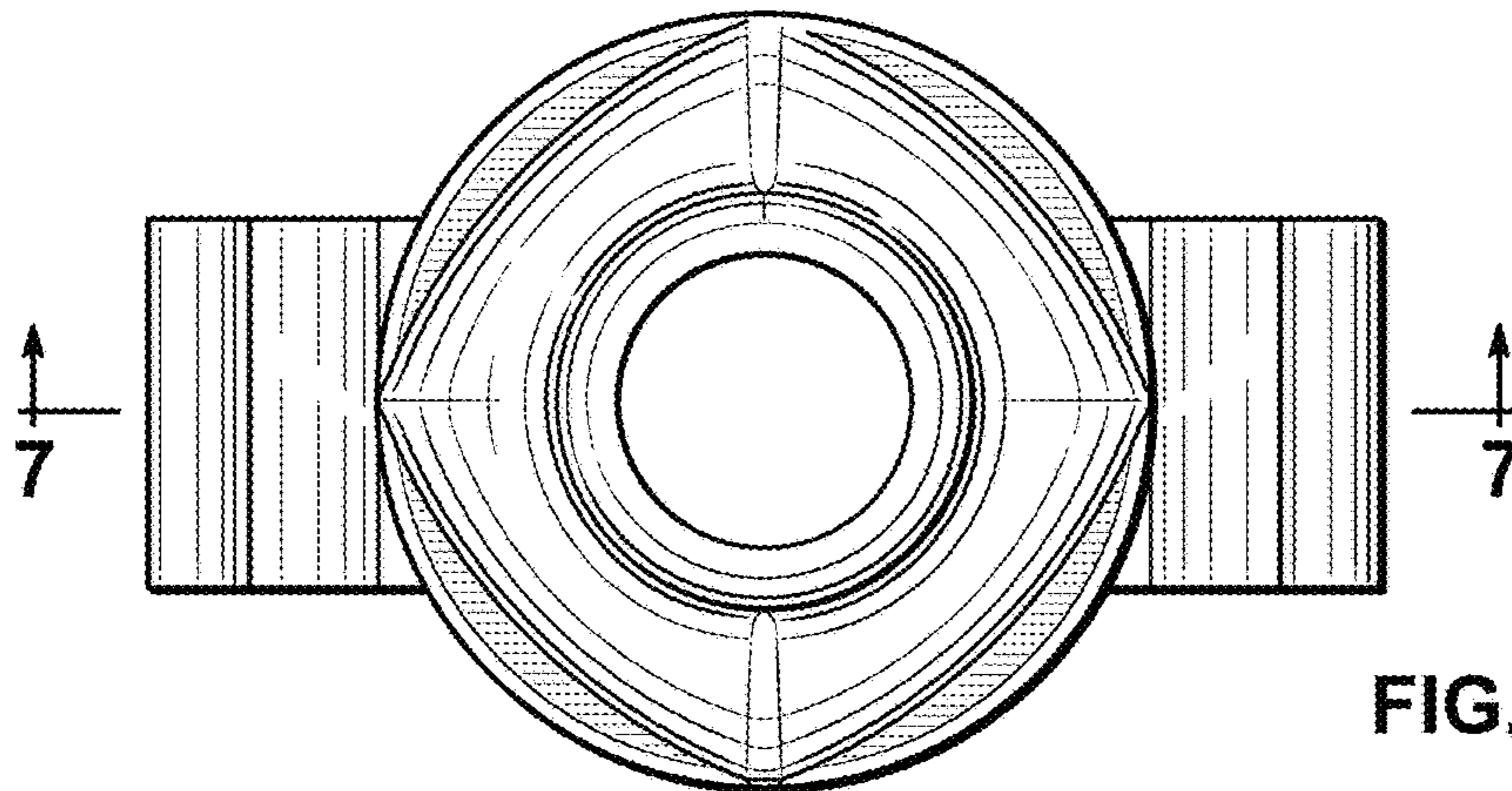


FIG. 5

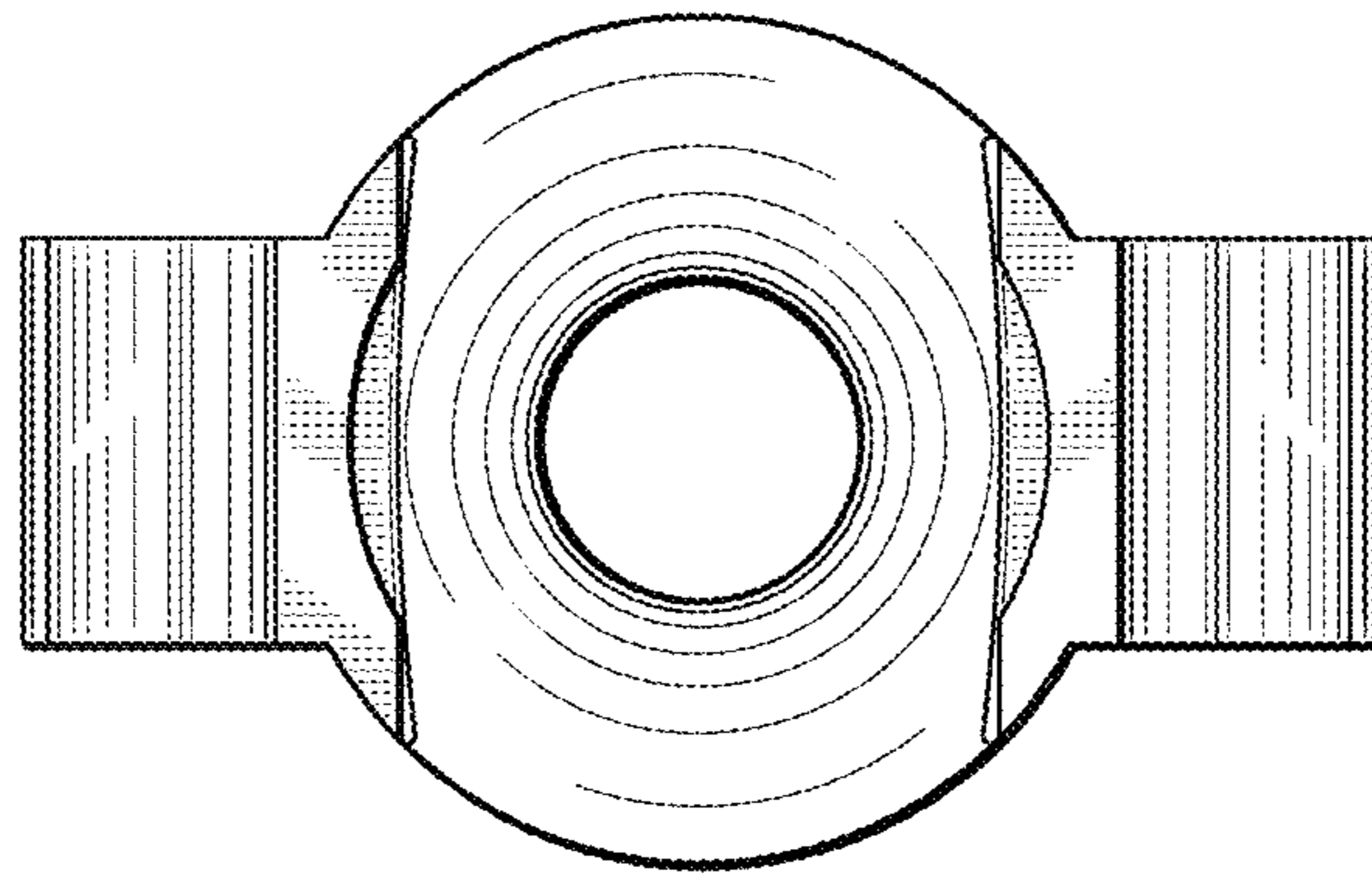


FIG. 6

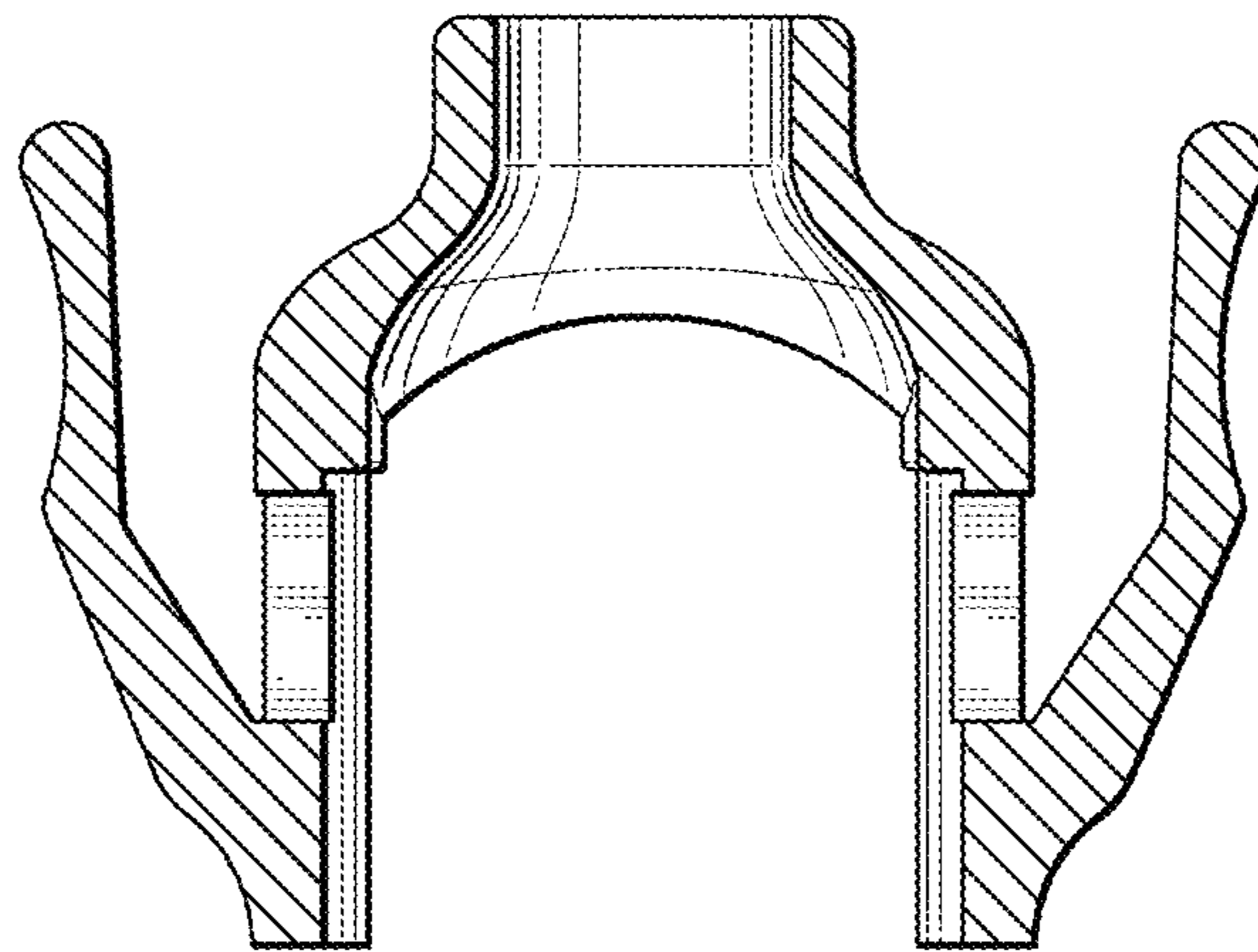


FIG. 7