



US00D790691S

(12) **United States Design Patent** (10) **Patent No.:** **US D790,691 S**  
**Davis et al.** (45) **Date of Patent:** **\*\* Jun. 27, 2017**

(54) **FINGER FLANGE**  
(71) Applicant: **West Pharmaceutical Services, Inc.**,  
Exton, PA (US)  
(72) Inventors: **Tommy Gene Davis**, Athens, TX (US);  
**Daniel Clark Whiteside**, Athens, TX  
(US); **Christopher Evans**, Long Valley,  
NJ (US); **Brian Costello**, Whitehouse  
Station, NJ (US)

5,667,495 A 9/1997 Bitdinger et al.  
5,700,247 A 12/1997 Grimard et al.  
D397,790 S 9/1998 Naganuma  
5,803,918 A 9/1998 Vetter et al.  
5,897,532 A 4/1999 Spallek et al.  
5,997,514 A 12/1999 Balestracci  
D425,198 S \* 5/2000 Porta ..... D24/114  
D434,850 S \* 12/2000 Balestracci ..... D24/112  
7,223,259 B2 5/2007 Marshall et al.  
7,361,162 B2 4/2008 Koller et al.

(Continued)

(73) Assignee: **West Pharmaceutical Services, Inc.**,  
Exton, PA (US)

**FOREIGN PATENT DOCUMENTS**

WO 2014/025564 A1 2/2014

(\*\*) Term: **15 Years**

**OTHER PUBLICATIONS**

(21) Appl. No.: **29/534,399**

British Registration for an Auxiliary Finger Flange for a Syringe,  
RGN 2064934, Seikagaku Kogyo Kabushiki Kaisha, Apr. 14,  
1997.\*

(22) Filed: **Jul. 28, 2015**

(51) **LOC (10) Cl.** ..... **24-99**

(52) **U.S. Cl.**  
USPC ..... **D24/130**

(58) **Field of Classification Search**  
USPC ..... D24/112-114, 127-130  
CPC .. A61M 5/3137; A61M 5/315; A61M 5/3213;  
A61M 2005/3139  
See application file for complete search history.

*Primary Examiner* — Richelle G Shelton  
(74) *Attorney, Agent, or Firm* — Panitch Schwarze  
Belisario & Nadel LLP

(57) **CLAIM**

The ornamental design for a finger flange, as shown and  
described.

(56) **References Cited**

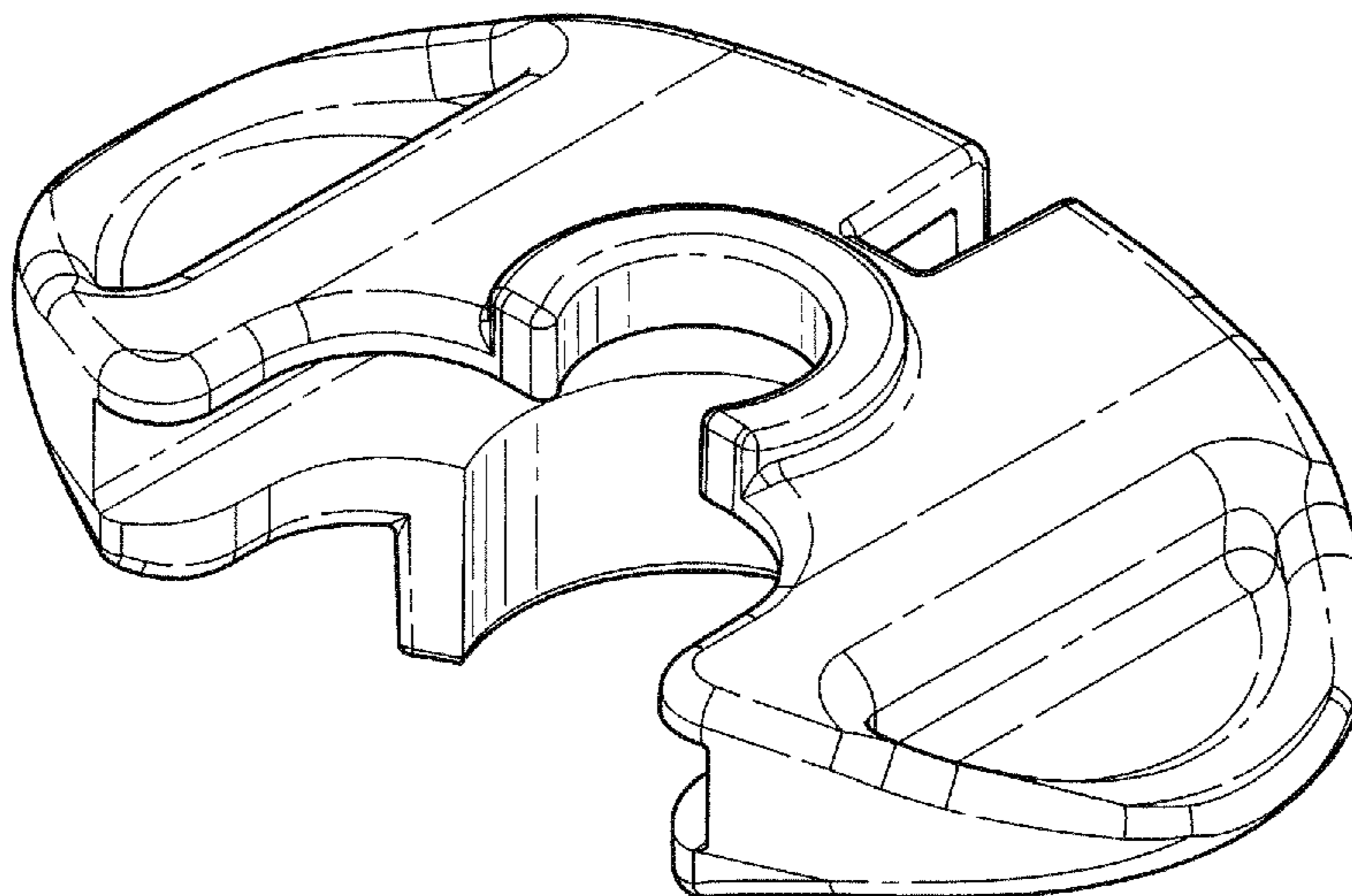
**DESCRIPTION**

**U.S. PATENT DOCUMENTS**

3,325,061 A \* 6/1967 Ellsworth ..... A61M 5/3137  
222/386  
4,610,672 A 9/1986 Ewalt et al.  
D293,130 S \* 12/1987 Ashie ..... D24/128  
4,711,637 A 12/1987 Leigh et al.  
4,890,626 A 1/1990 Wang  
5,135,511 A 8/1992 Houghton et al.  
5,282,792 A 2/1994 Imbert  
5,338,309 A 8/1994 Imbert  
5,358,497 A 10/1994 Dorsey et al.  
D372,089 S 7/1996 Sheu  
5,554,133 A 9/1996 Haffner et al.  
5,607,399 A 3/1997 Grimard et al.

FIG. 1 is a bottom and rear perspective view of a finger  
flange in accordance with our design;  
FIG. 2 is a rear elevational view thereof;  
FIG. 3 is a front elevational view thereof;  
FIG. 4 is a bottom plan view thereof;  
FIG. 5 is a top plan view thereof;  
FIG. 6 is a right side elevational view thereof; and,  
FIG. 7 is a left side elevational view thereof.  
The broken lines in the figures are directed to portions of the  
article excluded from the claim.

**1 Claim, 4 Drawing Sheets**



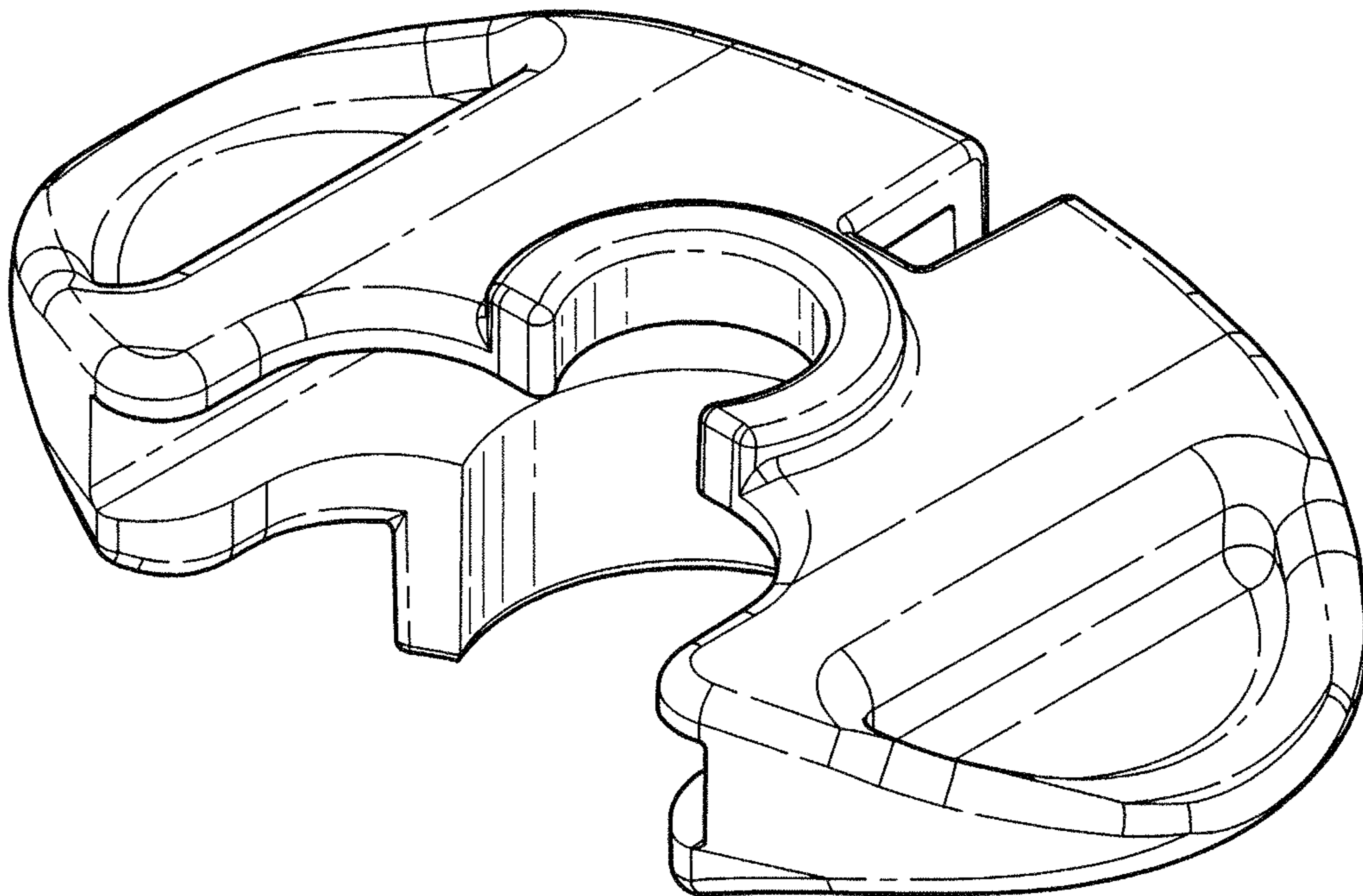
(56)

**References Cited**

U.S. PATENT DOCUMENTS

D581,527	S	11/2008	Jansen	
7,488,307	B2	2/2009	Rimlinger et al.	
8,016,795	B2	9/2011	Barrelle et al.	
8,075,535	B2	12/2011	Carrel et al.	
8,608,693	B2	12/2013	Westbye	
D710,005	S	7/2014	Kawamura	
8,920,385	B2	12/2014	Dowds	
2002/0198499	A1*	12/2002	Hu .....	A61M 5/322 604/218
2004/0167476	A1	8/2004	Westbye	
2004/0254539	A1*	12/2004	Wolbring .....	A61M 5/3135 604/187
2013/0178737	A1*	7/2013	Anelli .....	A61M 5/3137 600/432

\* cited by examiner



*FIG. 1*

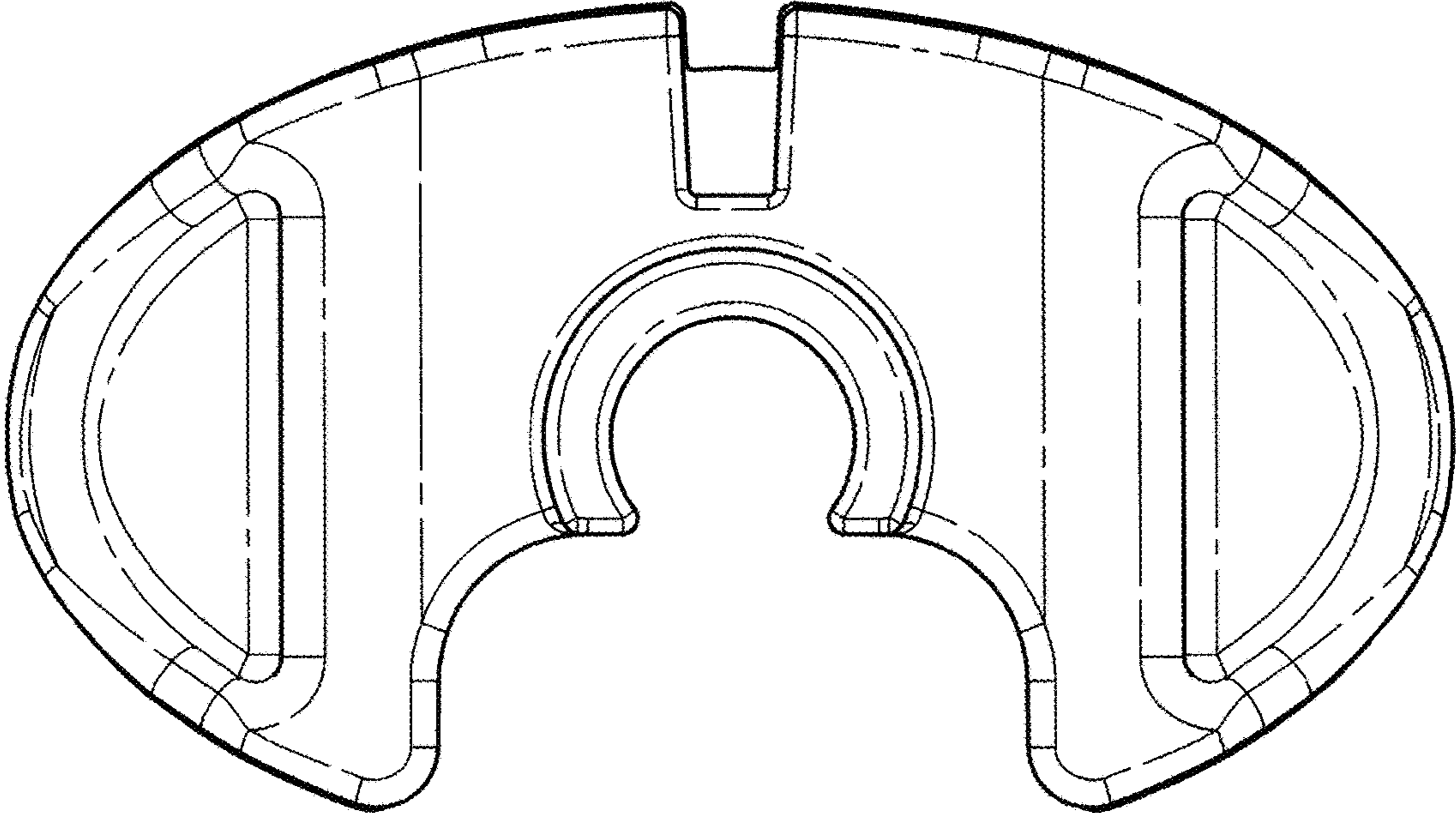


FIG. 2

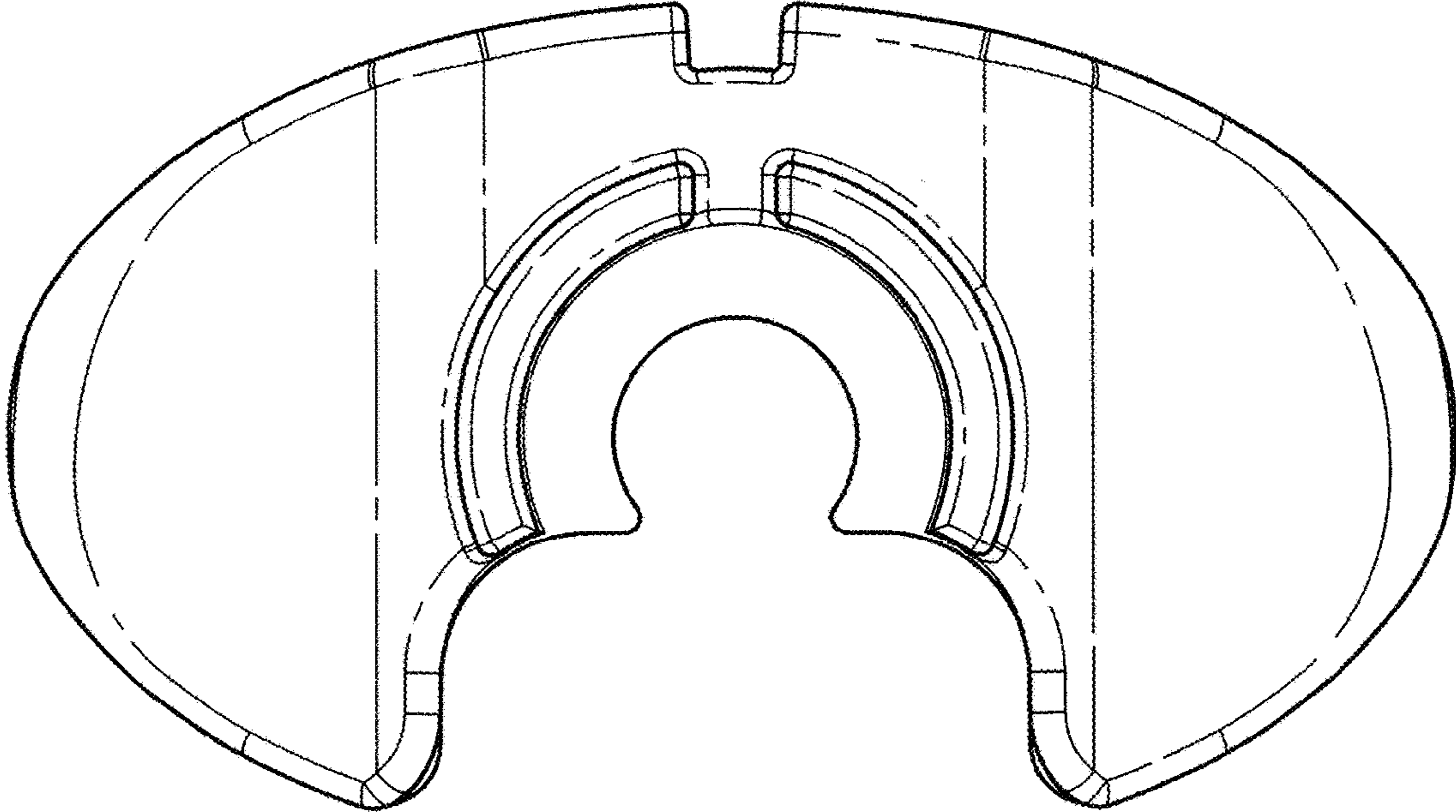


FIG. 3

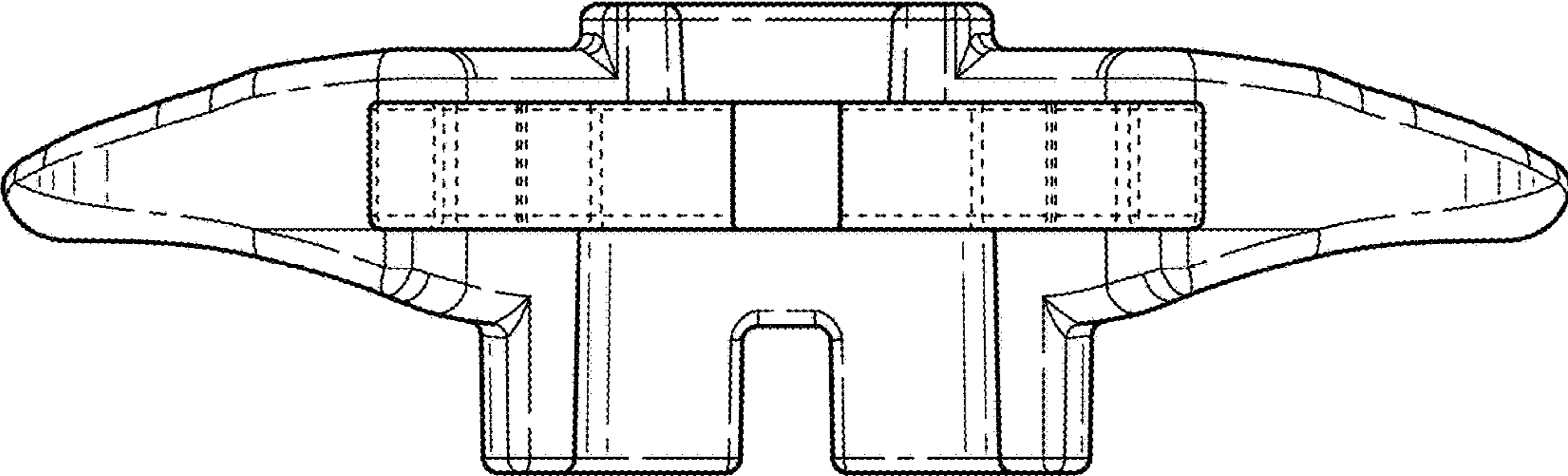


FIG. 4

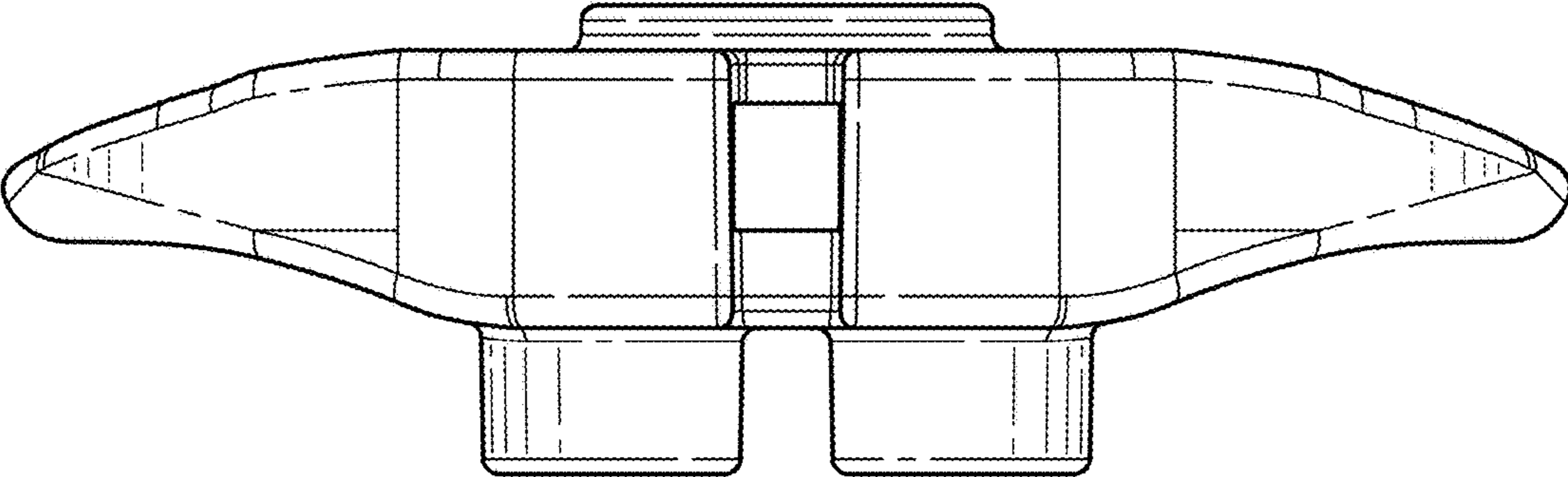


FIG. 5

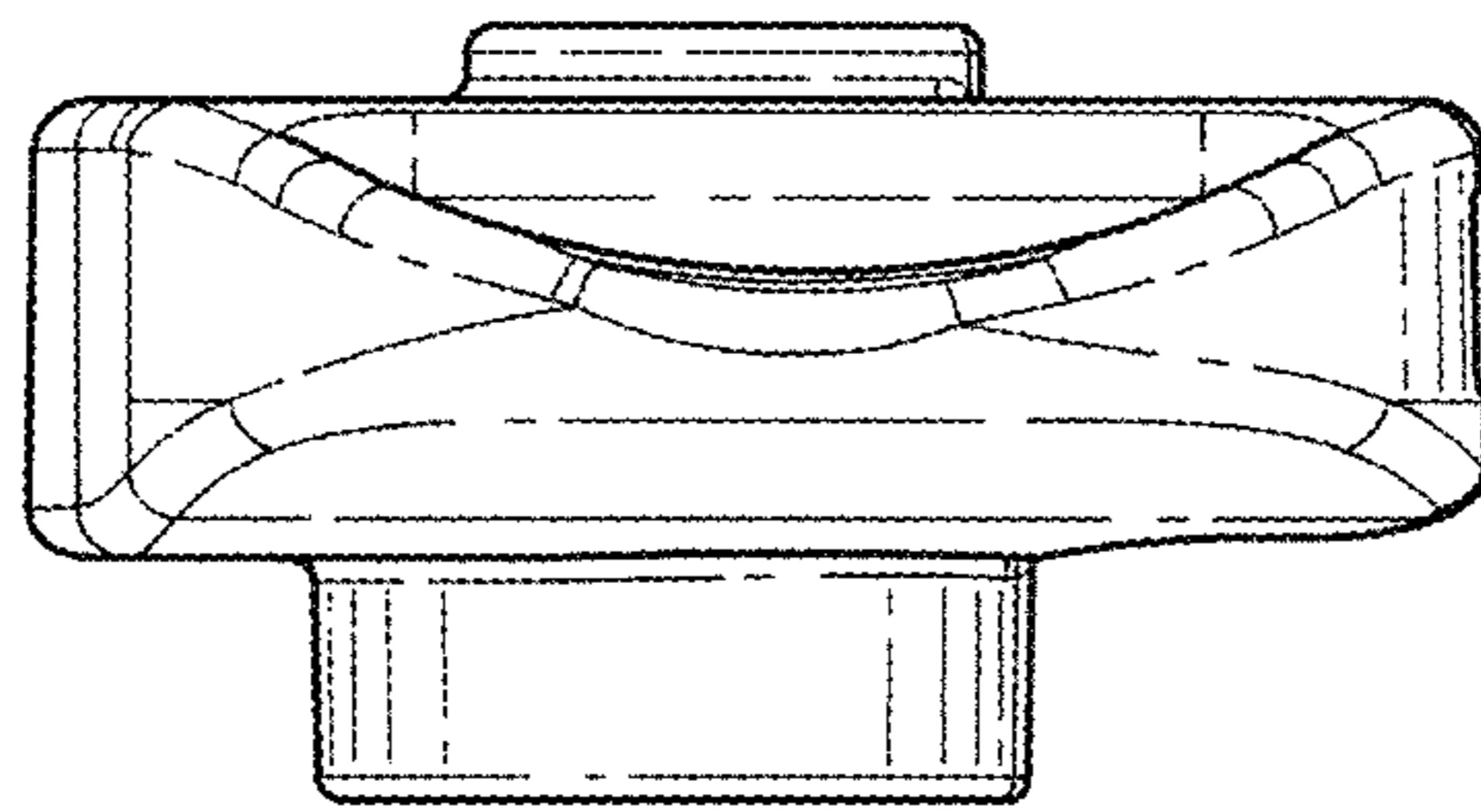


FIG. 6

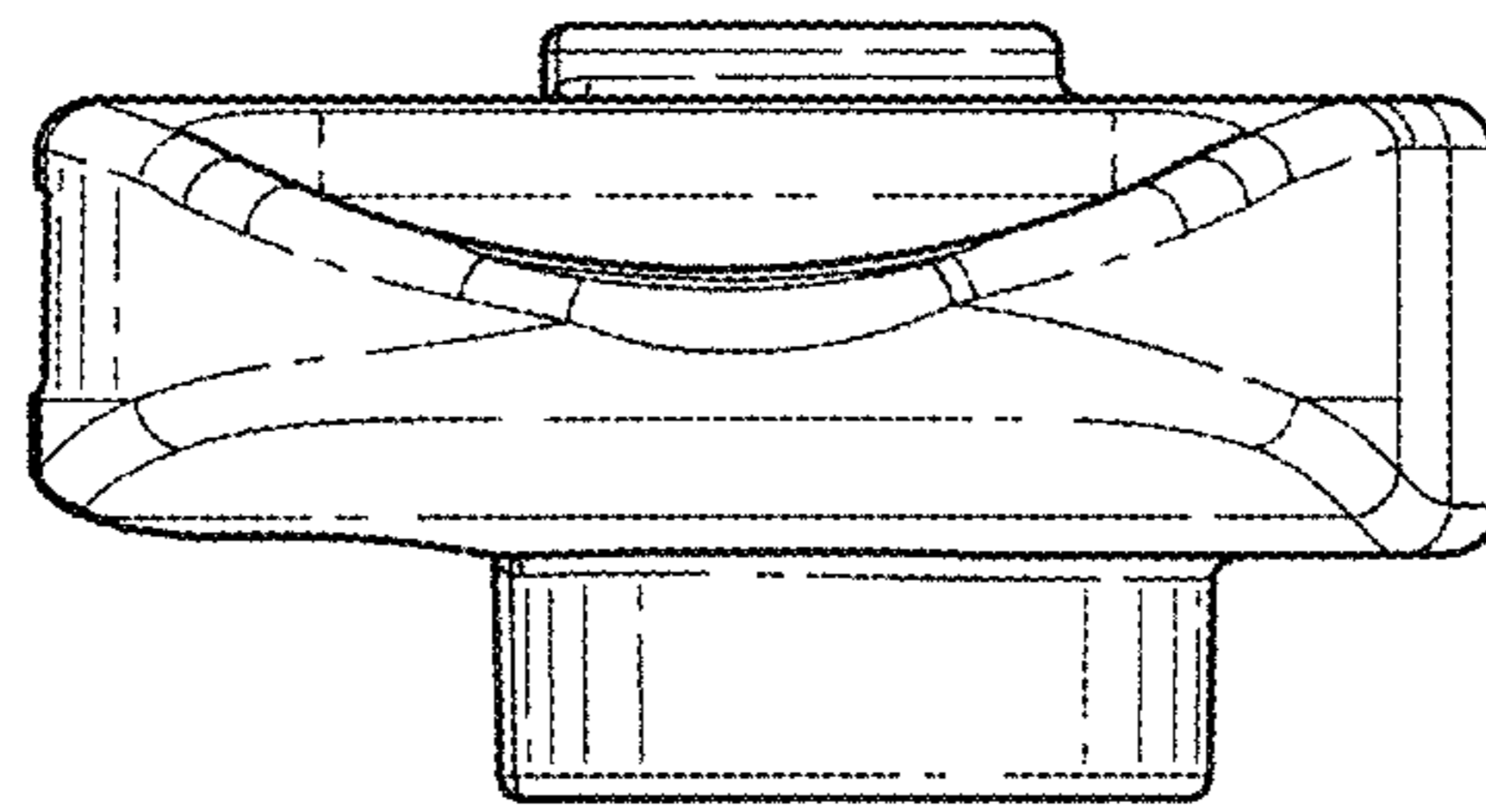


FIG. 7