



US00D790690S

(12) **United States Design Patent**
Hayamizu

(10) **Patent No.:** **US D790,690 S**
(45) **Date of Patent:** **** Jun. 27, 2017**

(54) **HOLDER OF A DETECTION DEVICE FOR ENDOSCOPE**

(71) Applicant: **HOYA CORPORATION**, Tokyo (JP)

(72) Inventor: **Eiji Hayamizu**, Tokyo (JP)

(73) Assignee: **HOYA CORPORATION**, Tokyo (JP)

(**) Term: **15 Years**

(21) Appl. No.: **29/568,774**

(22) Filed: **Jun. 21, 2016**

(30) **Foreign Application Priority Data**

Apr. 13, 2016 (JP) 2016-008206

(51) **LOC (10) Cl.** **24-02**

(52) **U.S. Cl.**
USPC **D24/128**

(58) **Field of Classification Search**

USPC D24/108, 112, 113-114, 127, 133, 137,
D24/138, 143, 145, 128; D6/540, 546,
D6/554, 556; D19/1; D22/108; D8/16,
D8/19, 300, 303, 372, 314, 394

CPC A47G 7/045; A47G 7/044; A47G 7/047;
A47G 7/07; A61B 17/00; A61B 18/00;
A61B 1/0052; A01G 9/12

See application file for complete search history.

(56) **References Cited**

U.S. PATENT DOCUMENTS

D229,744 S * 1/1974 Oletti D7/407
D318,608 S * 7/1991 Schenker D8/371

D327,641 S * 7/1992 Hoskinson D8/367
D443,503 S * 6/2001 Harvey D8/367
D613,589 S * 4/2010 Goodman D8/367
D618,023 S * 6/2010 Goodman D6/513
D628,410 S * 12/2010 Parisi D6/526
D715,627 S * 10/2014 Pan D8/371
D716,641 S * 11/2014 Goodman D8/371
D727,718 S * 4/2015 McLaren Hall D8/373
D770,190 S * 11/2016 Wirth D6/328
D771,464 S * 11/2016 Loso D8/71

* cited by examiner

Primary Examiner — Manpreet Matharu

Assistant Examiner — Yolanda Robinson

(74) *Attorney, Agent, or Firm* — Cantor Colburn LLP

(57) **CLAIM**

The ornamental design for a holder of a detection device for endoscope, as shown and described.

DESCRIPTION

FIG. 1 is a front perspective view of a holder of a detection device for endoscope showing my new design;
FIG. 2 is a rear perspective view thereof;
FIG. 3 is a front view thereof;
FIG. 4 is a rear view thereof;
FIG. 5 is a top plan view thereof;
FIG. 6 is a bottom plan view thereof; and,
FIG. 7 is a right side view thereof, the left side view being a mirror image of FIG. 7.

The broken lines illustrate portions of the holder of a detection device for endoscope and form no part of the claimed design.

1 Claim, 7 Drawing Sheets

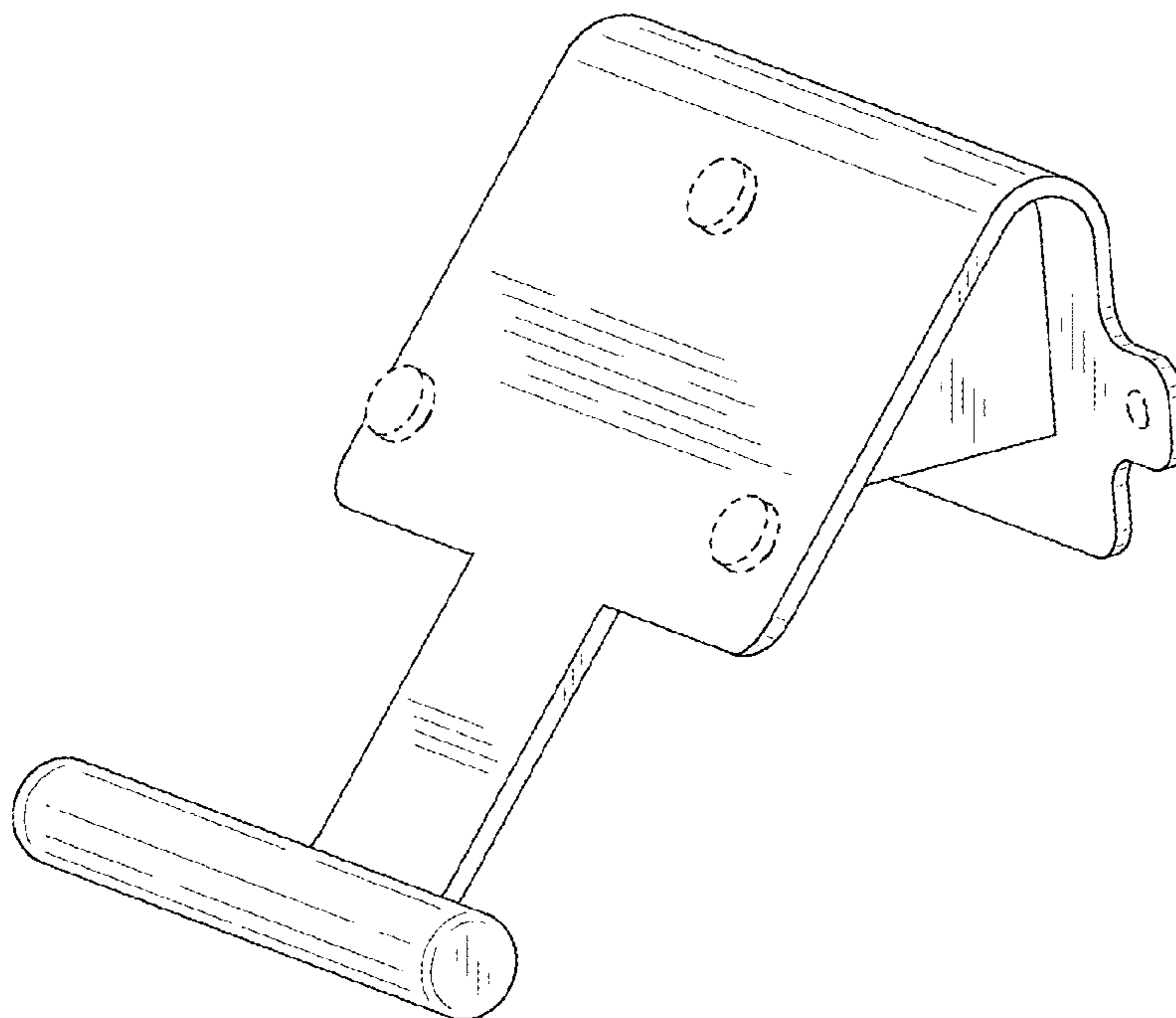


Fig.1

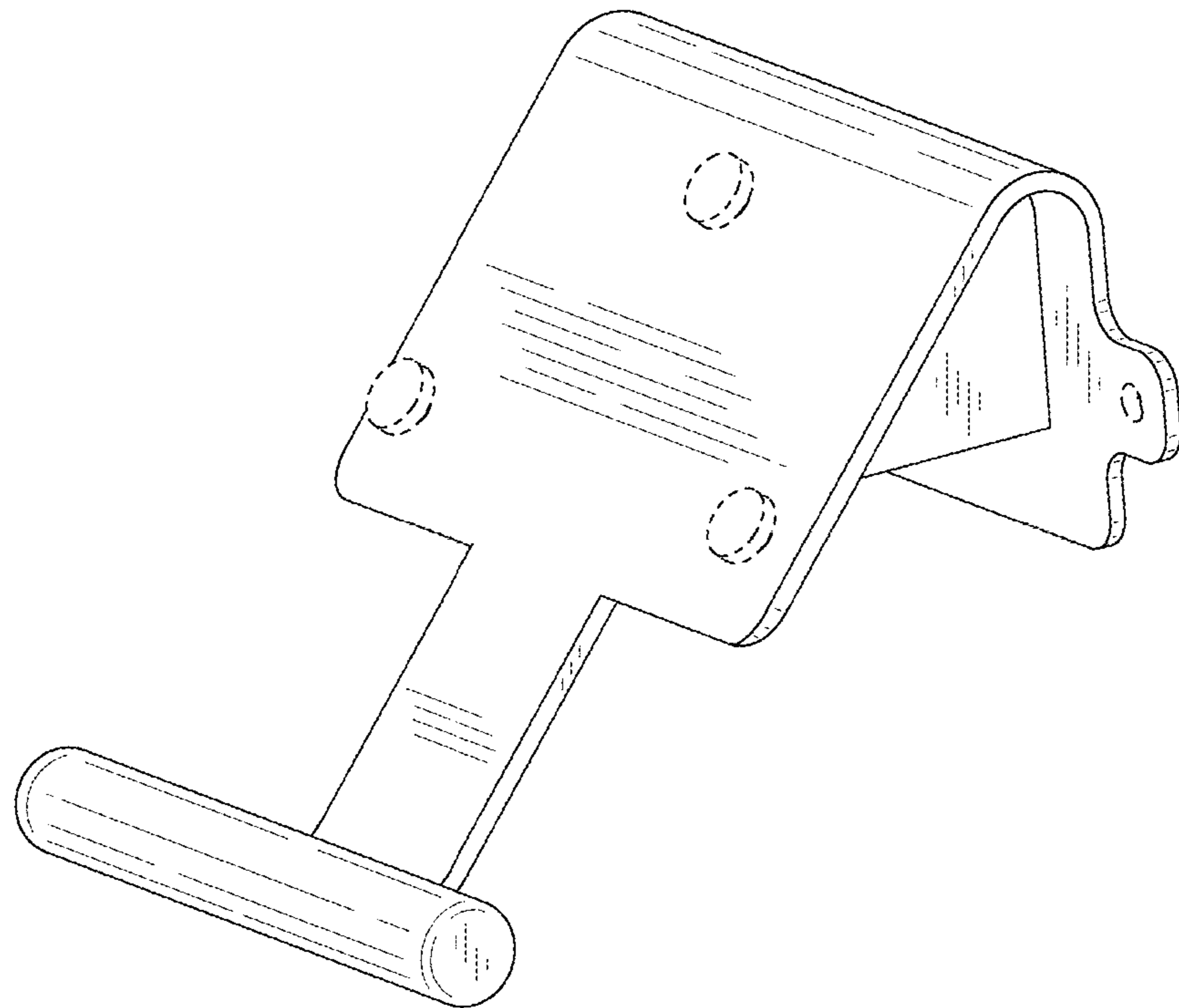


Fig.2

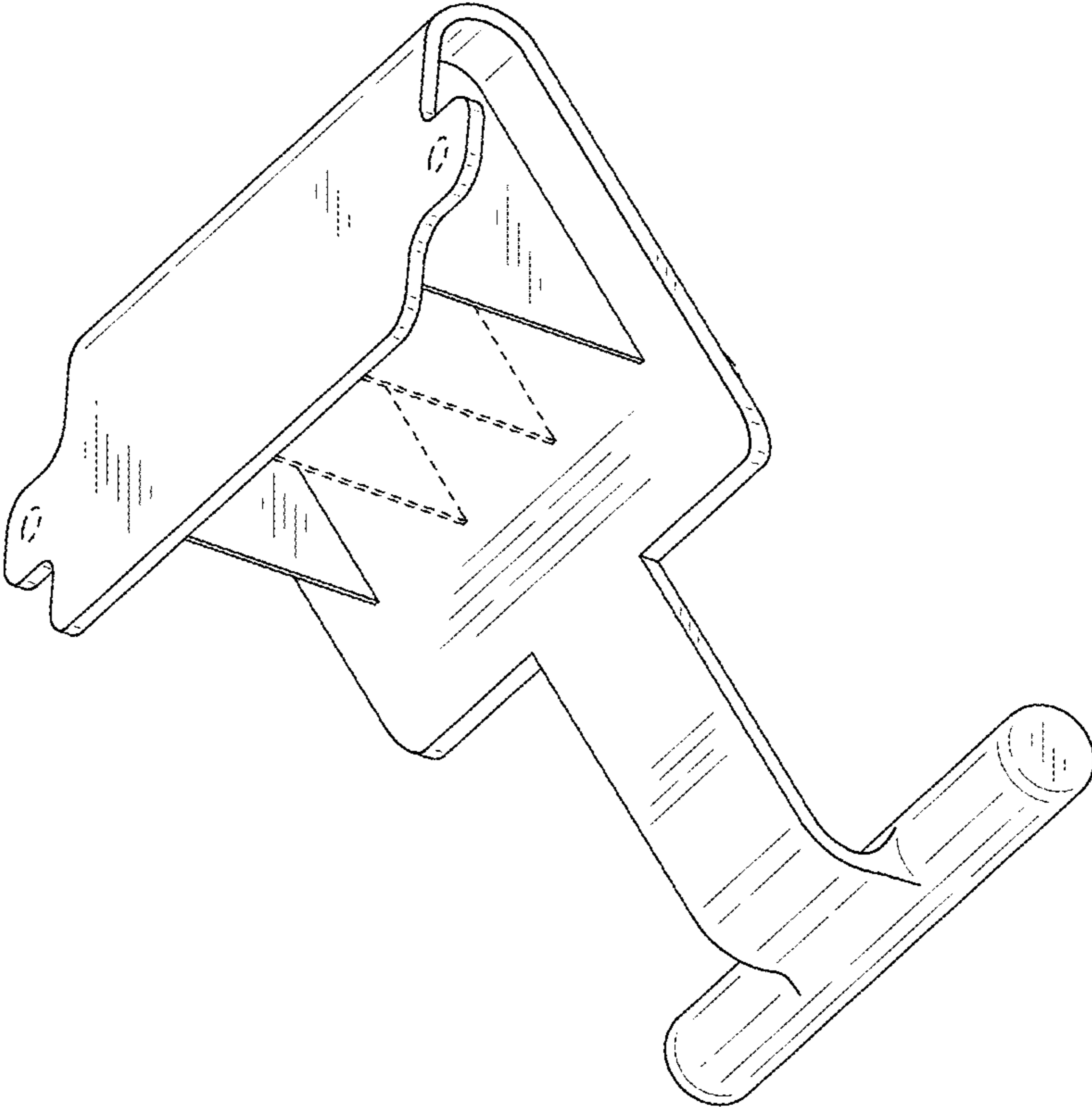


Fig.3

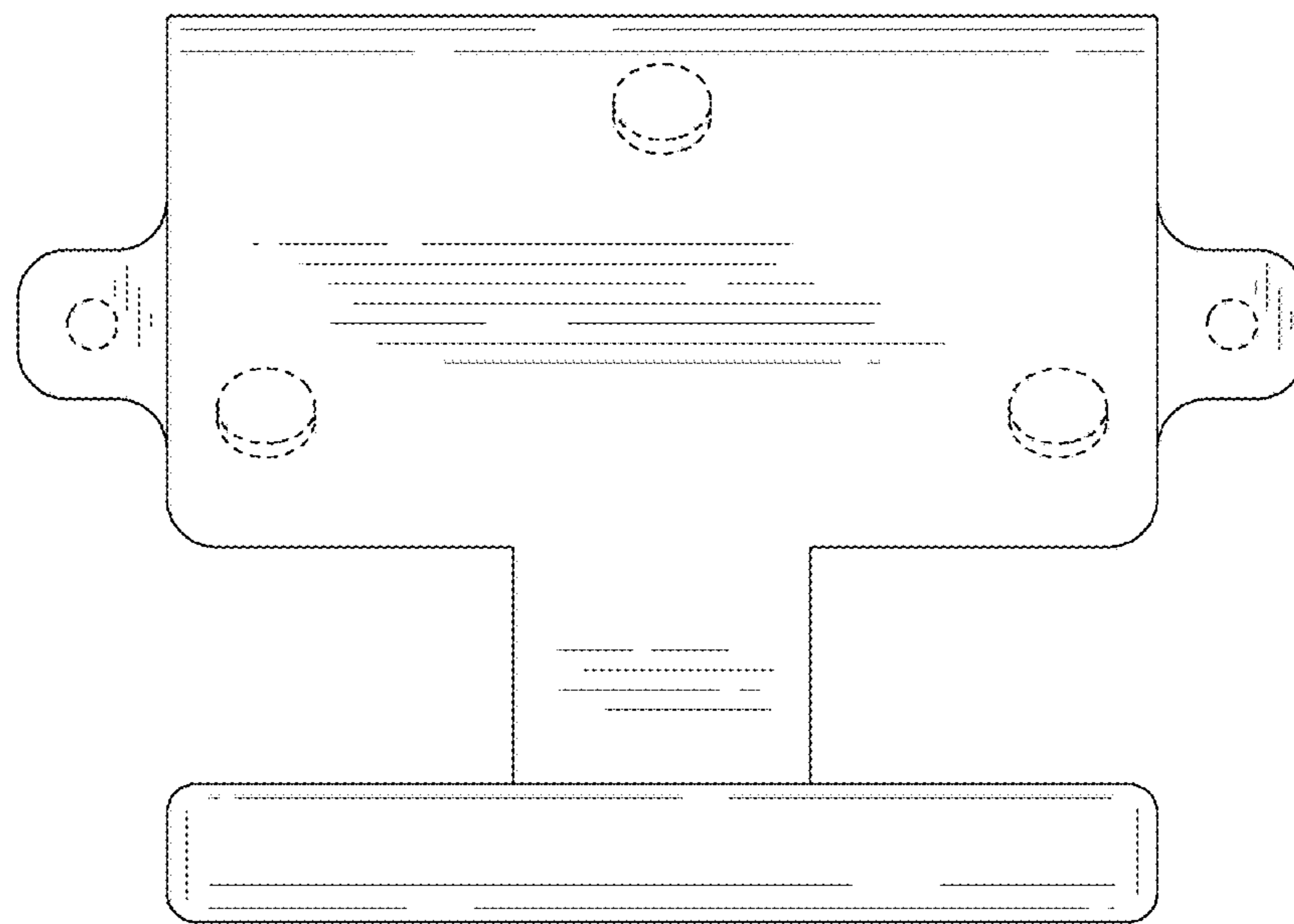


Fig.4

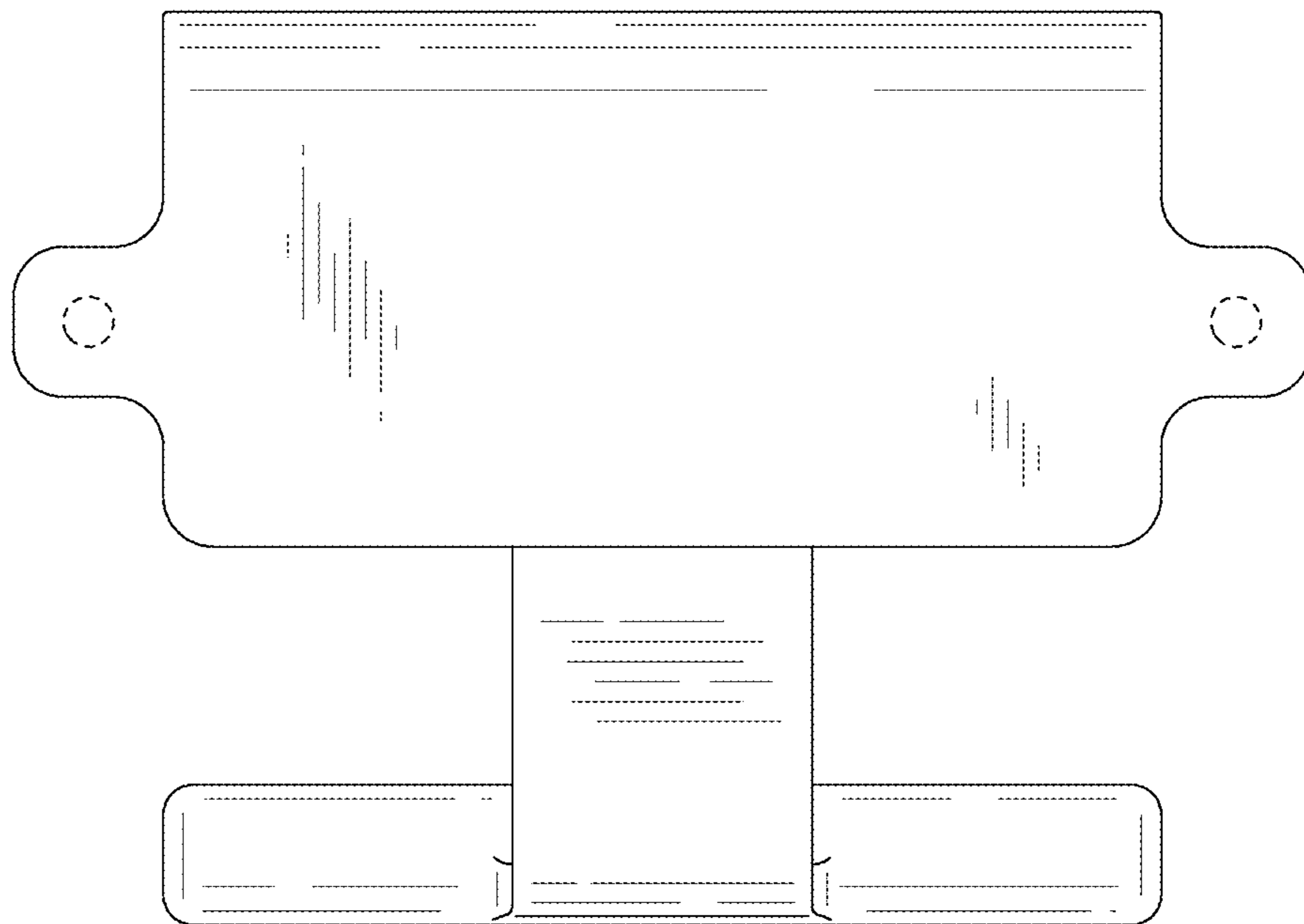


Fig.5

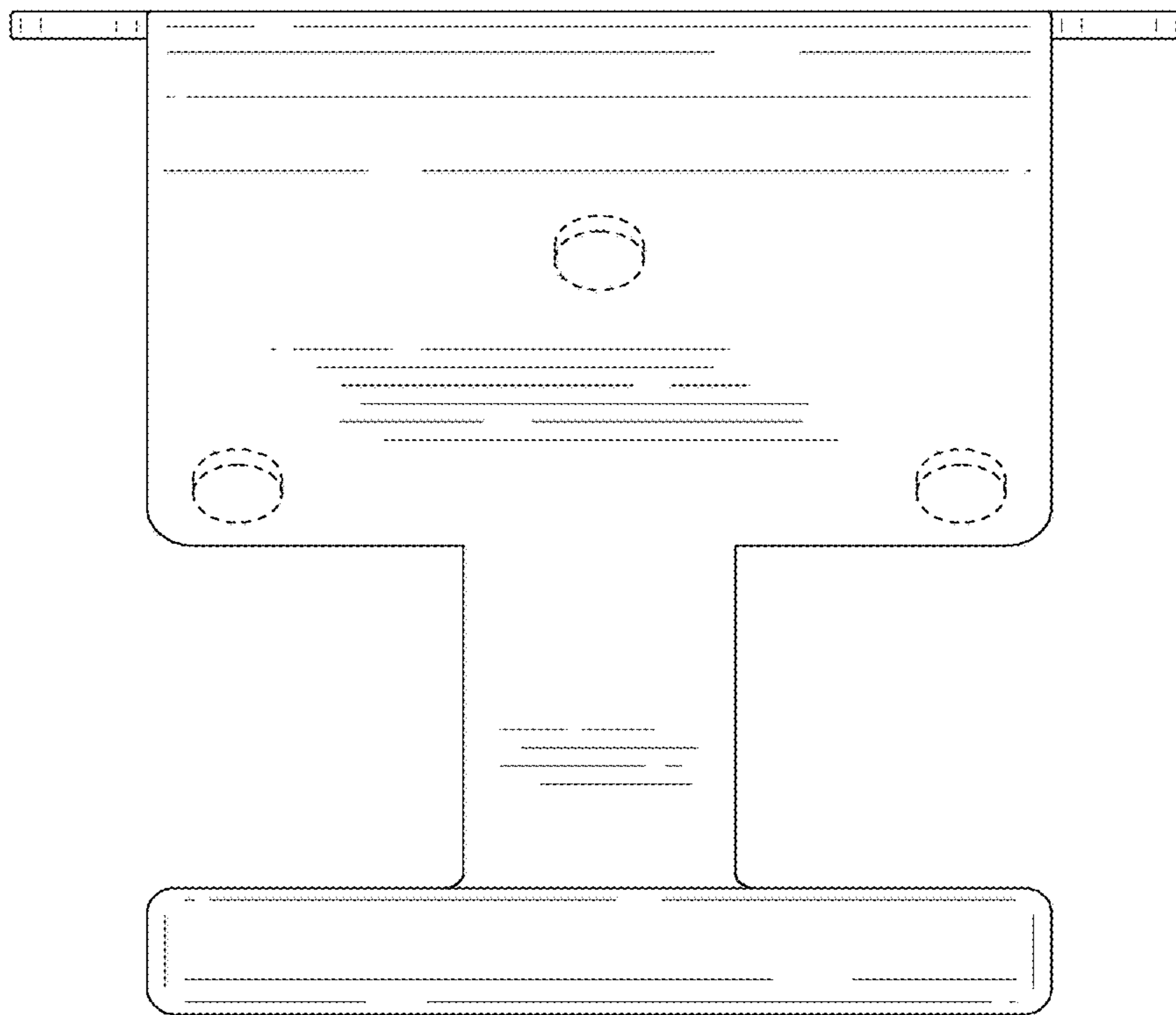


Fig.6

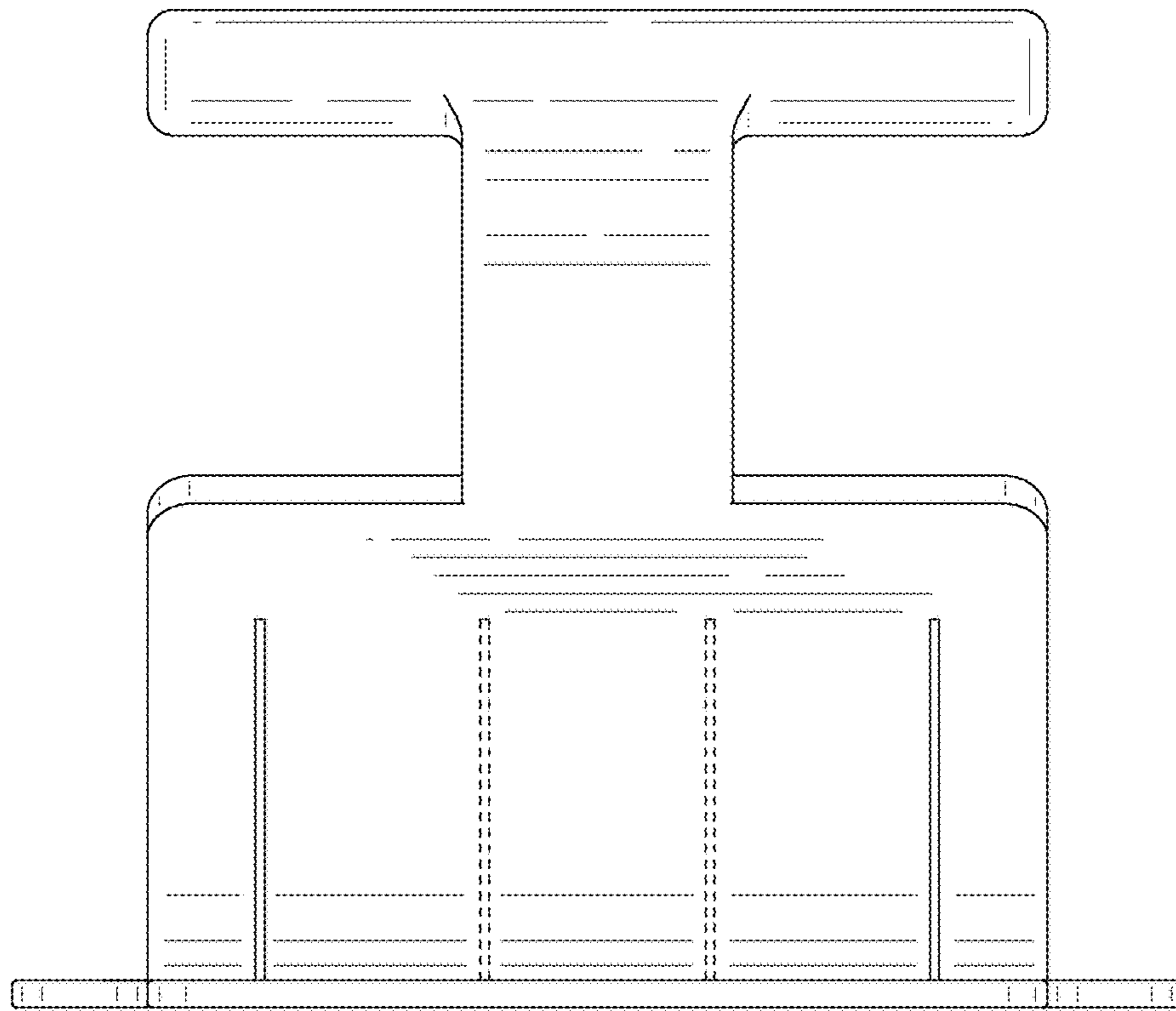


Fig.7

