



US00D790688S

(12) **United States Design Patent**  
**Choi**

(10) **Patent No.:** **US D790,688 S**

(45) **Date of Patent:** **\*\* Jun. 27, 2017**

(54) **SYRINGE**  
(71) Applicant: **Young-Jun Choi**, Seoul (KR)  
(72) Inventor: **Young-Jun Choi**, Seoul (KR)  
(\*\*) Term: **15 Years**

(21) Appl. No.: **35/500,772**  
(22) Filed: **Oct. 1, 2015**

(80) **Hague Agreement Data**

Int. Filing Date: **Oct. 1, 2015**  
Int. Reg. No.: **DM/089053**  
Int. Reg. Date: **Oct. 1, 2015**  
Int. Reg. Pub. Date: **Apr. 1, 2016**

(51) **LOC (10) Cl.** ..... **24-02**  
(52) **U.S. Cl.**  
USPC ..... **D24/114**

(58) **Field of Classification Search**  
USPC ..... D24/114, 112, 113, 133, 147, 130, 119,  
D24/110, 108, 146; D9/724; 600/567,  
600/566  
CPC ..... A61B 10/025; A61B 10/0283  
See application file for complete search history.

(56) **References Cited**

U.S. PATENT DOCUMENTS

4,487,209 A \* 12/1984 Mehl ..... A61B 10/025  
600/567  
4,513,754 A \* 4/1985 Lee ..... A61B 10/0283  
600/566  
D447,559 S \* 9/2001 Jansen ..... D24/110  
D448,844 S \* 10/2001 Reis ..... D24/112  
D469,529 S \* 1/2003 Niermann ..... D24/112  
D506,829 S \* 6/2005 Baker ..... D24/130  
D618,347 S \* 6/2010 Bradshaw ..... D24/108  
D690,417 S \* 9/2013 Solomon ..... D24/114

D699,347 S \* 2/2014 Dodd ..... D24/146  
D721,803 S \* 1/2015 Dubach ..... D24/114  
D729,931 S \* 5/2015 Takeuchi ..... D24/114  
D739,933 S \* 9/2015 Ettlin ..... D24/114  
D743,025 S \* 11/2015 Berler ..... D24/114  
D744,643 S \* 12/2015 Eckstein ..... D24/130  
D747,796 S \* 1/2016 Romao ..... D24/112  
D747,797 S \* 1/2016 Fourt ..... D24/114  
D753,293 S \* 4/2016 Eckstein ..... D24/130  
D757,256 S \* 5/2016 Sarver ..... D24/119  
D761,954 S \* 7/2016 Eckstein ..... D24/114  
D765,241 S \* 8/2016 Holland ..... D24/114  
D766,426 S \* 9/2016 Hamann ..... D24/114  
D770,302 S \* 11/2016 Oelz ..... D9/724  
D770,612 S \* 11/2016 Green ..... D24/114  
D772,406 S \* 11/2016 Fites ..... D24/133  
D772,407 S \* 11/2016 Sanso ..... D24/133  
D773,042 S \* 11/2016 Hwang ..... D24/130  
D775,325 S \* 12/2016 Larson ..... D24/114  
D775,723 S \* 1/2017 Rowe ..... D24/112  
D776,261 S \* 1/2017 Jones ..... D24/113  
D777,913 S \* 1/2017 Taylor ..... D24/133  
D778,443 S \* 2/2017 Brannon ..... D24/147

\* cited by examiner

*Primary Examiner* — Rhea Shields

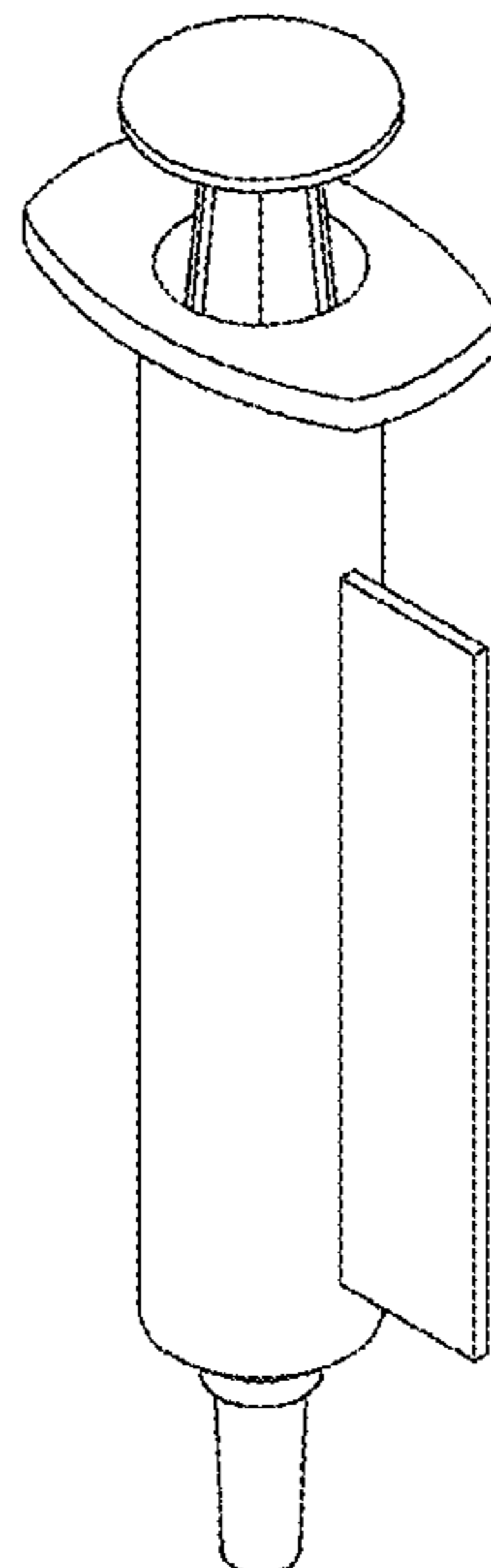
(57) **CLAIM**

The ornamental design for a syringe, as shown and described.

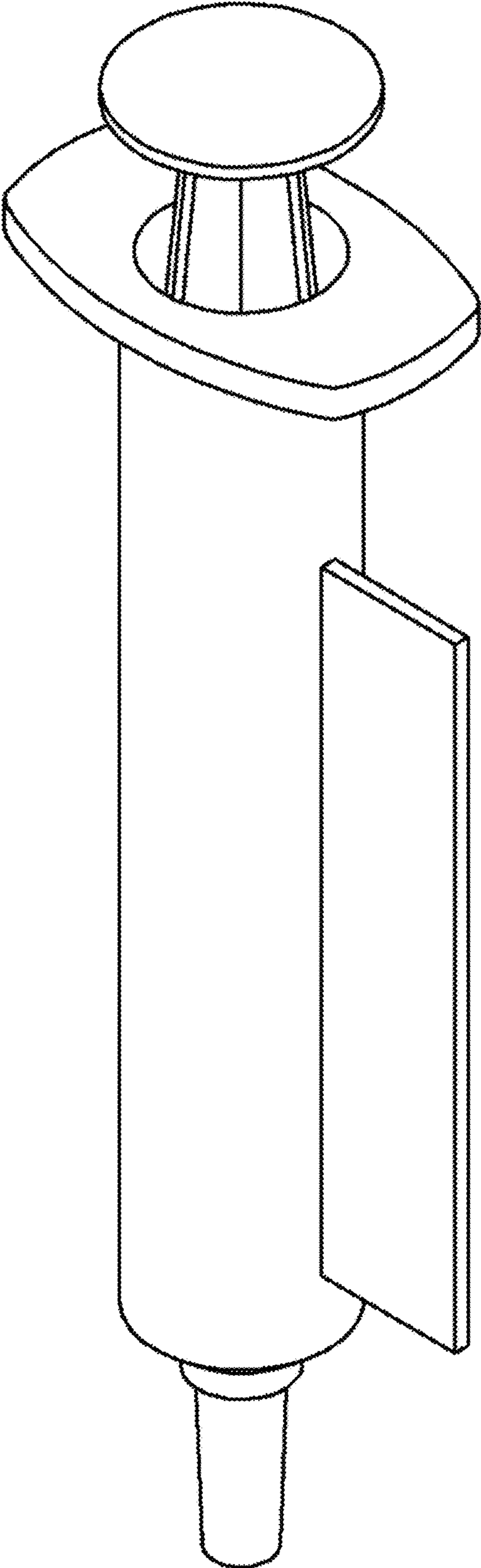
**DESCRIPTION**

- 1. Syringe
- 1.1 : Perspective
- 1.2 : Front
- 1.3 : Back
- 1.4 : Top
- 1.5 : Bottom
- 1.6 : Left
- 1.7 : Right

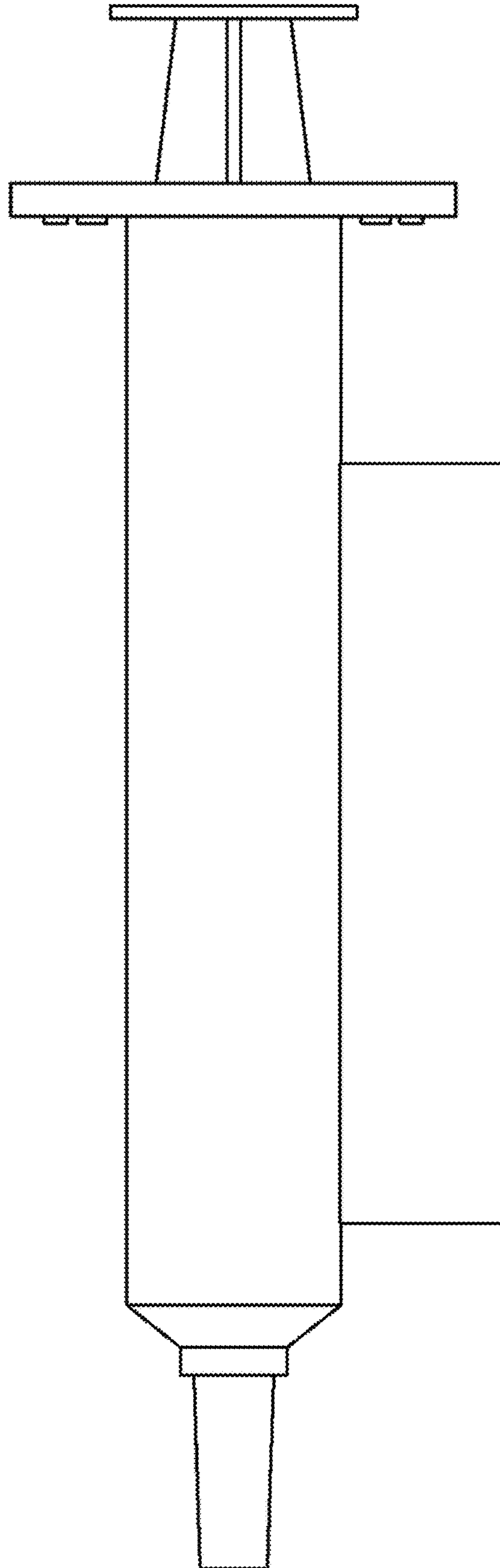
**1 Claim, 7 Drawing Sheets**



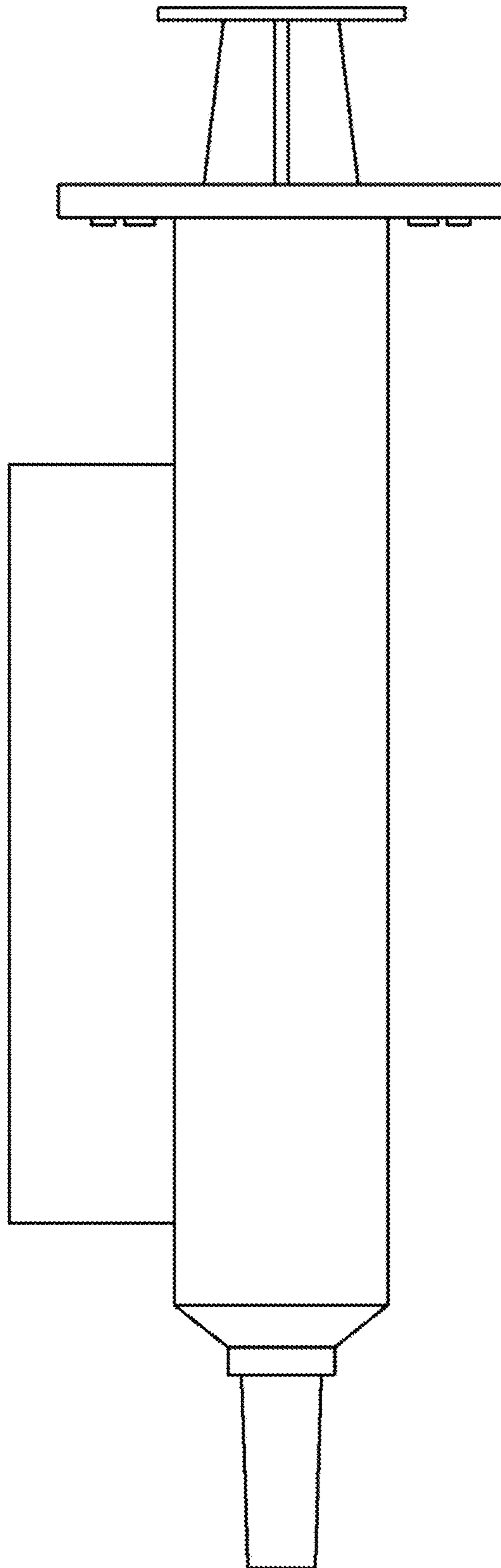
1.1



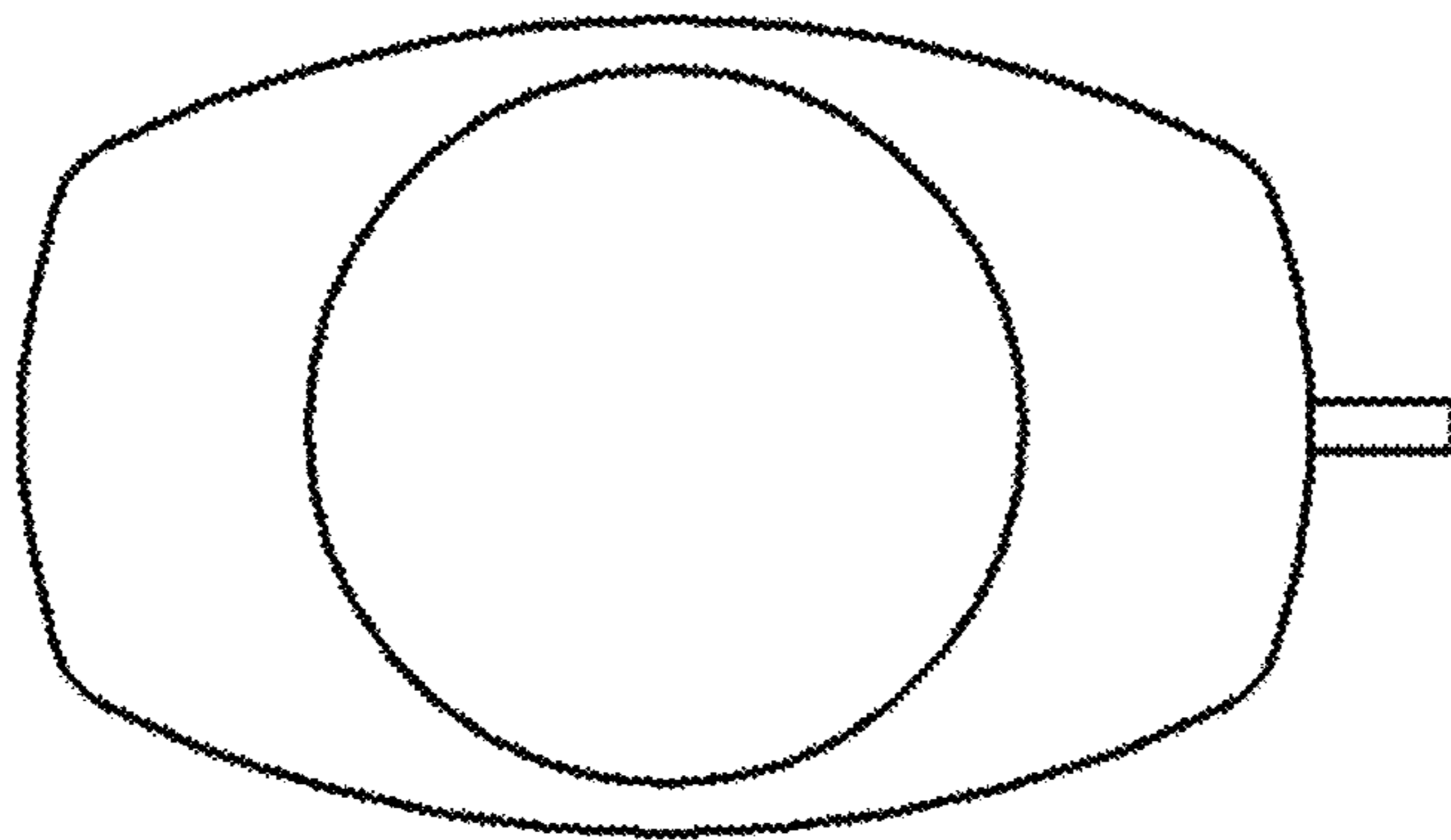
1.2



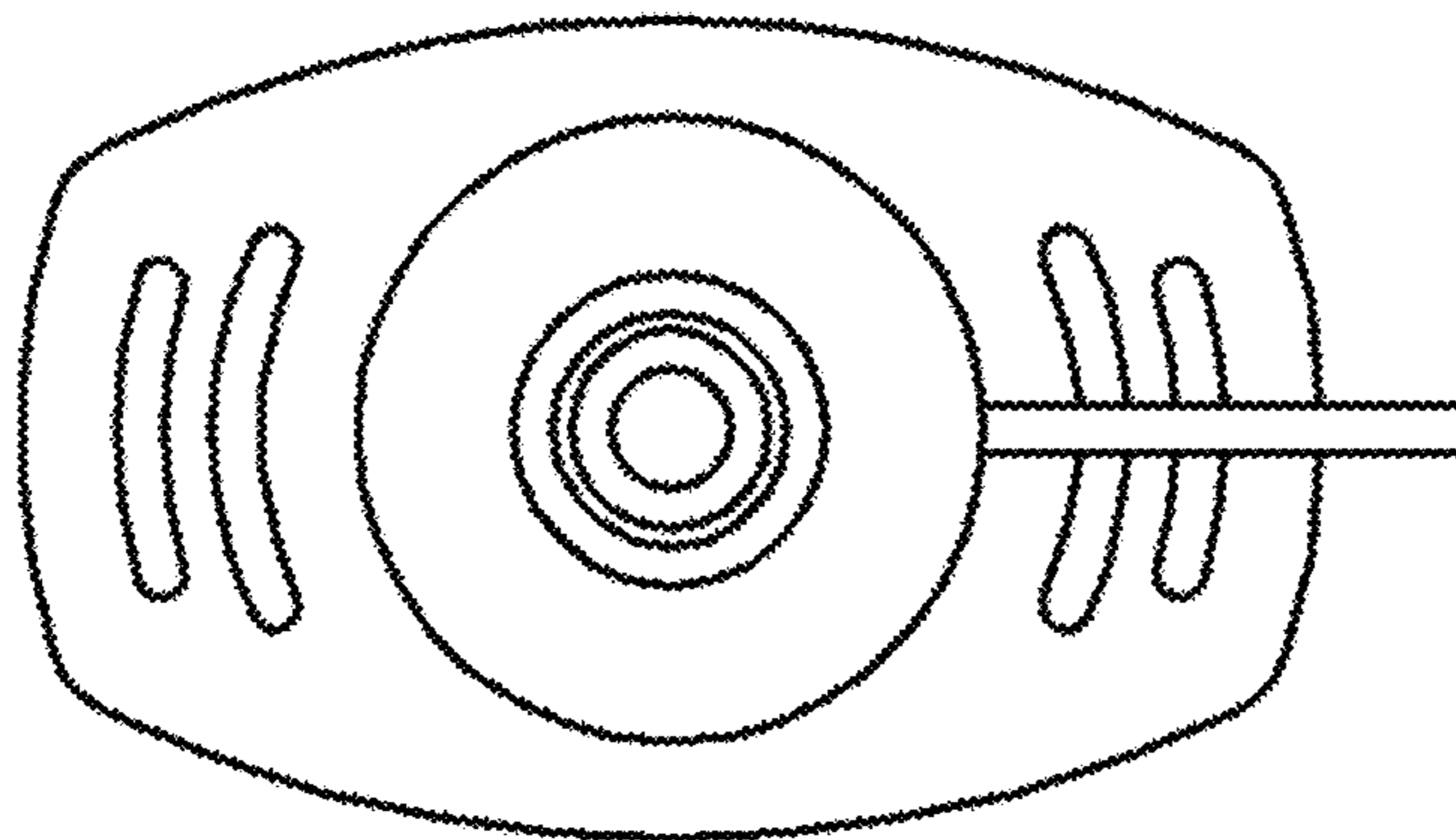
1.3



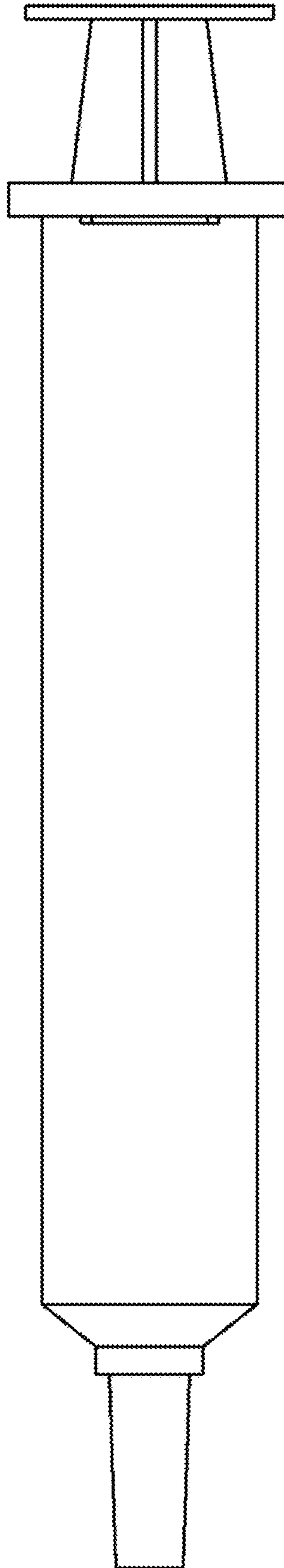
1.4



1.5



1.6



1.7

