



US00D790684S

(12) **United States Design Patent** (10) **Patent No.:** **US D790,684 S**
Bhide et al. (45) **Date of Patent:** **** Jun. 27, 2017**

(54) **INHALER BASE PLATE**
(71) Applicant: **Lupin Limited**, Mumbai (IN)
(72) Inventors: **Vishwajit Bhide**, Mumbai (IN);
Raghuram Amperayani Pattabhi,
Baltimore, MD (US); **Rohini Pimple**,
Pune (IN); **Bishu Choubey**, Pune (IN)
(73) Assignee: **LUPIN LIMITED**, Mumbai (IN)
(**) Term: **14 Years**
(21) Appl. No.: **29/495,649**
(22) Filed: **Jul. 2, 2014**
(30) **Foreign Application Priority Data**

Feb. 20, 2014 (IN) 260517
(51) **LOC (10) Cl.** **29-02**
(52) **U.S. Cl.**
USPC **D24/110**
(58) **Field of Classification Search**
USPC D24/107, 108, 110, 111, 127, 164
CPC A61M 15/00; A61M 15/0065; A61M
15/0091; A61M 15/0021; A61M 15/0026;
A61M 11/00; A61M 11/02; A61M 11/04
See application file for complete search history.

(56) **References Cited**
U.S. PATENT DOCUMENTS
8,397,717 B2* 3/2013 Geser 128/203.12
2005/0252511 A1* 11/2005 Pentafragas A61M 15/0028
128/203.15
2005/0279357 A1* 12/2005 Wachtel A61M 15/0028
128/203.15
2006/0237016 A1* 10/2006 Wachtel A61M 15/0028
128/205.21
2008/0135047 A1* 6/2008 Johnson A61M 15/0028
128/203.15

2008/0295832 A1* 12/2008 Geser A61M 15/0028
128/203.15
2009/0165791 A1* 7/2009 Wendland A61M 15/0028
128/203.21
2009/0235929 A1* 9/2009 Egen A61M 15/0028
128/203.15
2009/0277446 A1* 11/2009 Walz A61M 15/0028
128/203.15
2010/0154795 A1* 6/2010 Pentafragas A61M 15/0028
128/203.15
2010/0275917 A1* 11/2010 Kuhn A61M 15/0028
128/203.15
2011/0203586 A1* 8/2011 Egen A61M 15/0028
128/203.15
2011/0232637 A1* 9/2011 Kaemper A61M 15/0028
128/203.12
2013/0152927 A1* 6/2013 Baillet A61M 15/0028
128/203.15
2013/0186398 A1* 7/2013 Baillet A61M 15/0028
128/203.15

(Continued)

Primary Examiner — Barbara Fox
Assistant Examiner — Lilyana Bekic
(74) *Attorney, Agent, or Firm* — Merchant & Gould P.C.

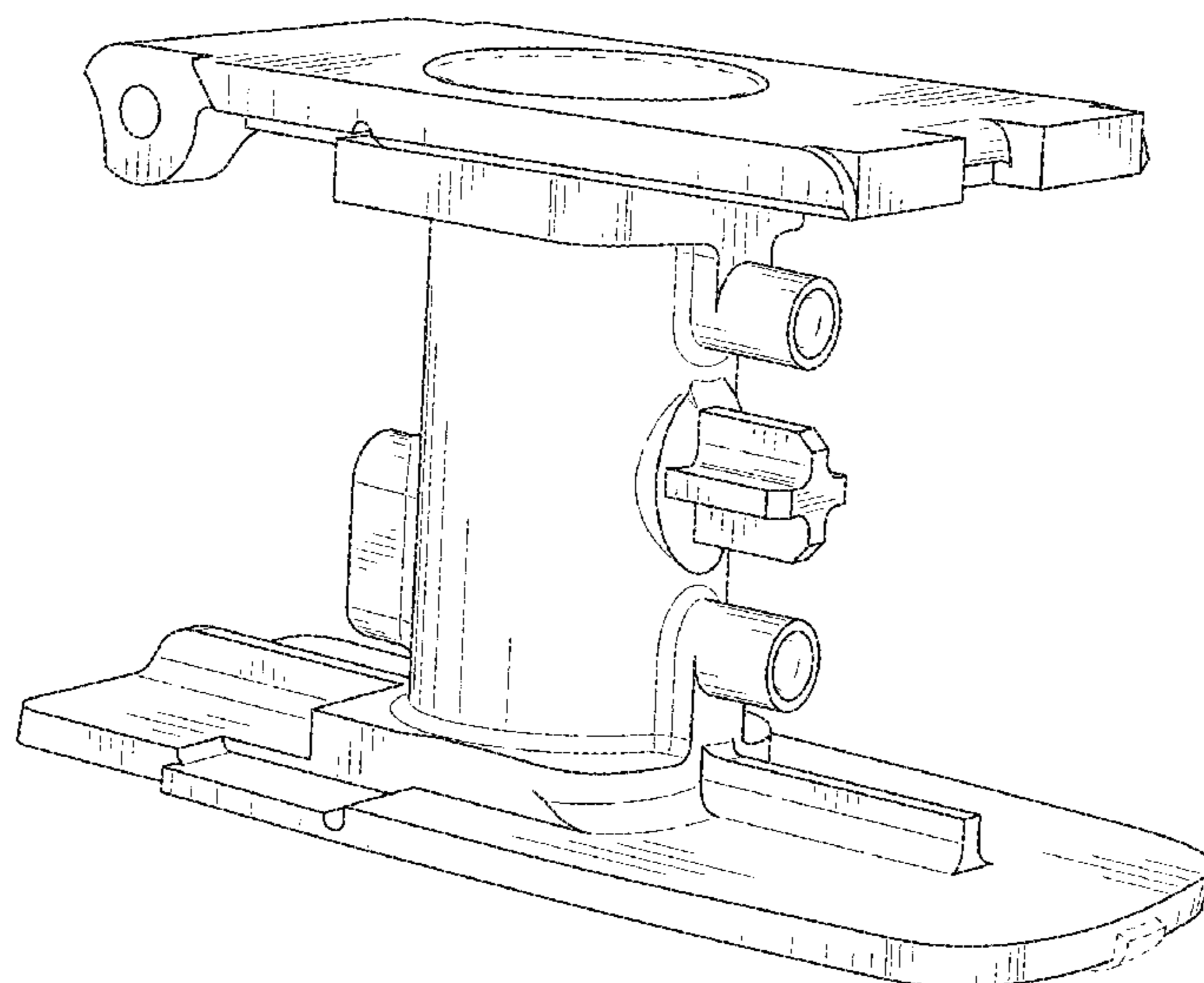
(57) **CLAIM**

The ornamental design for an inhaler base plate, as shown and described.

DESCRIPTION

FIG. 1 is a front, top, left side perspective view of an inhaler base plate in accordance with the new design;
FIG. 2 is a rear, top, right side perspective view thereof;
FIG. 3 is another front, top, left side perspective view thereof;
FIG. 4 is a right side view thereof;
FIG. 5 is a top view thereof; and,
FIG. 6 is a bottom view thereof.
The portions shown in broken lines form no part of the claimed design.

1 Claim, 6 Drawing Sheets



(56)

References Cited

U.S. PATENT DOCUMENTS

2013/0255679 A1* 10/2013 Andrade A61M 15/0028
128/203.15
2013/0269695 A1* 10/2013 Brouet A61M 15/00
128/203.15
2014/0318538 A1* 10/2014 Bilgic A61M 15/0028
128/203.15

* cited by examiner

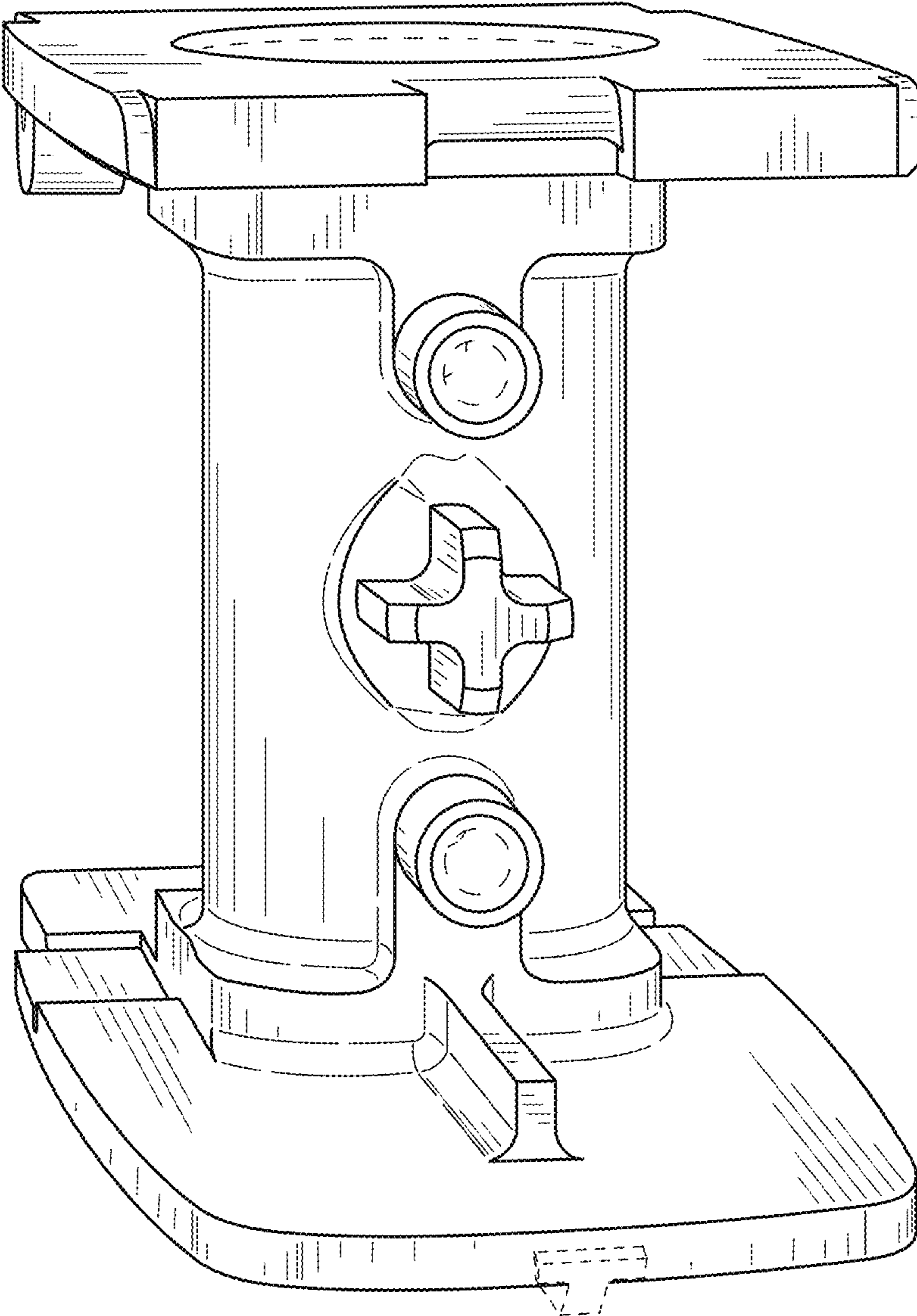


FIG. 1

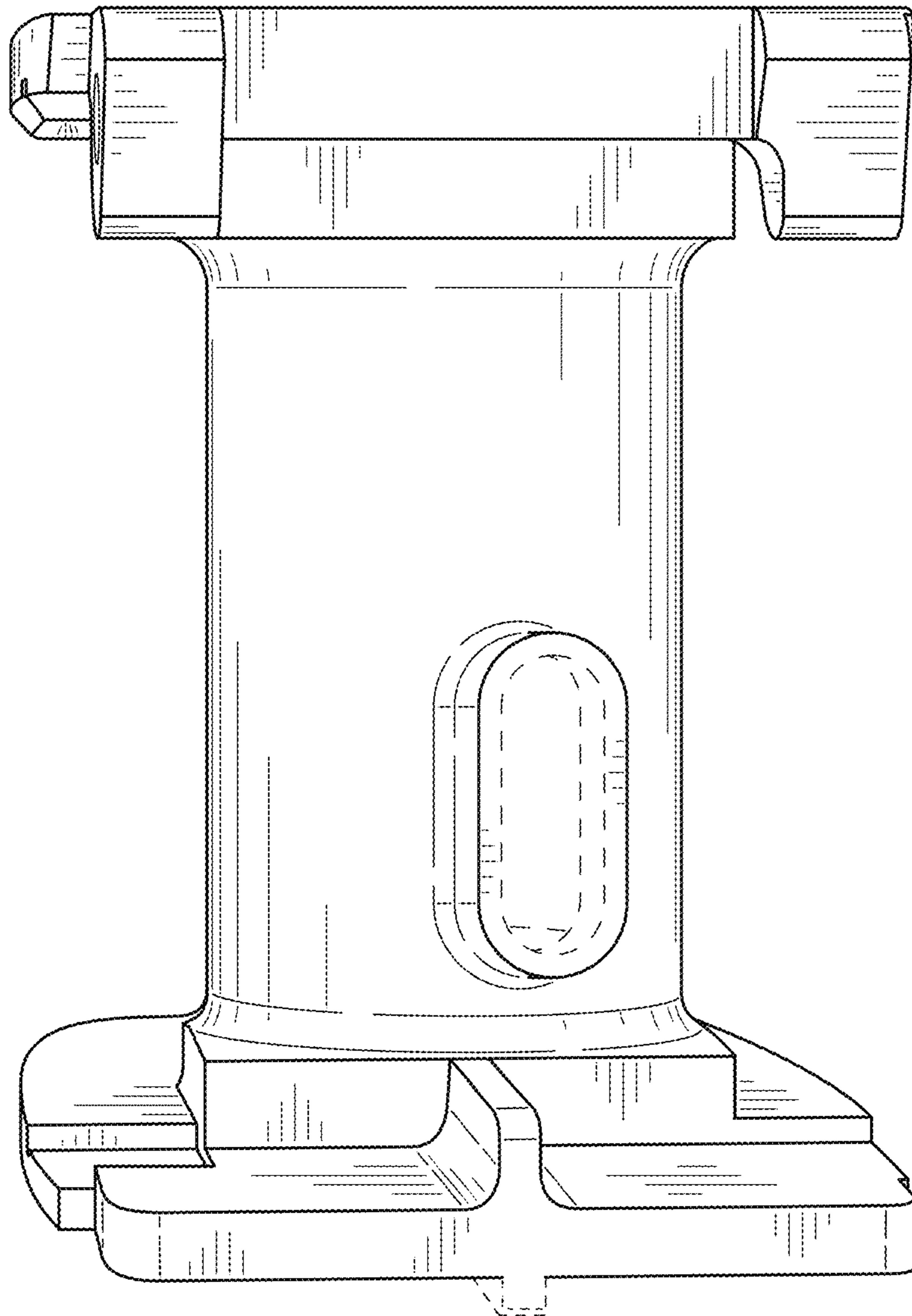


FIG. 2

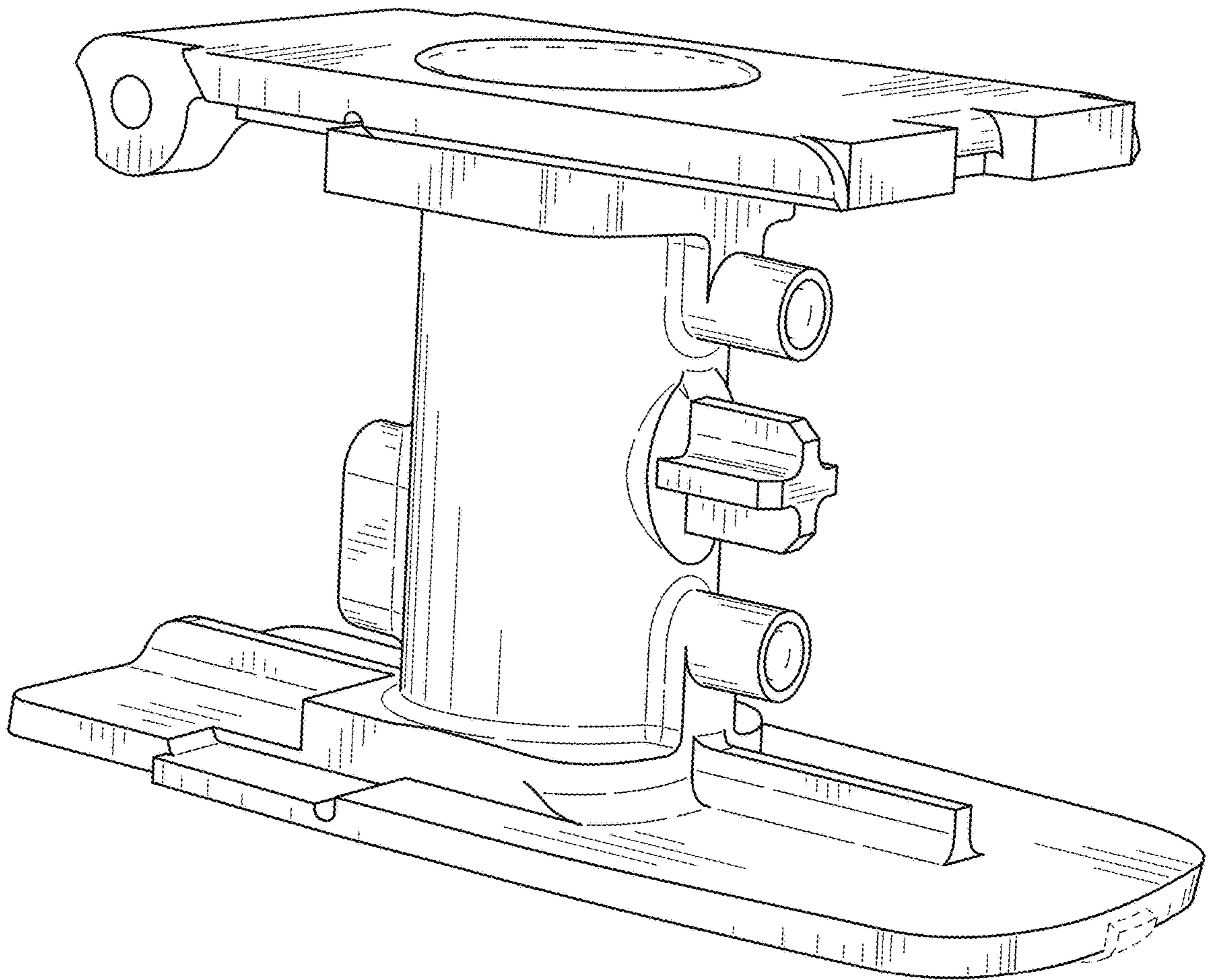


FIG. 3

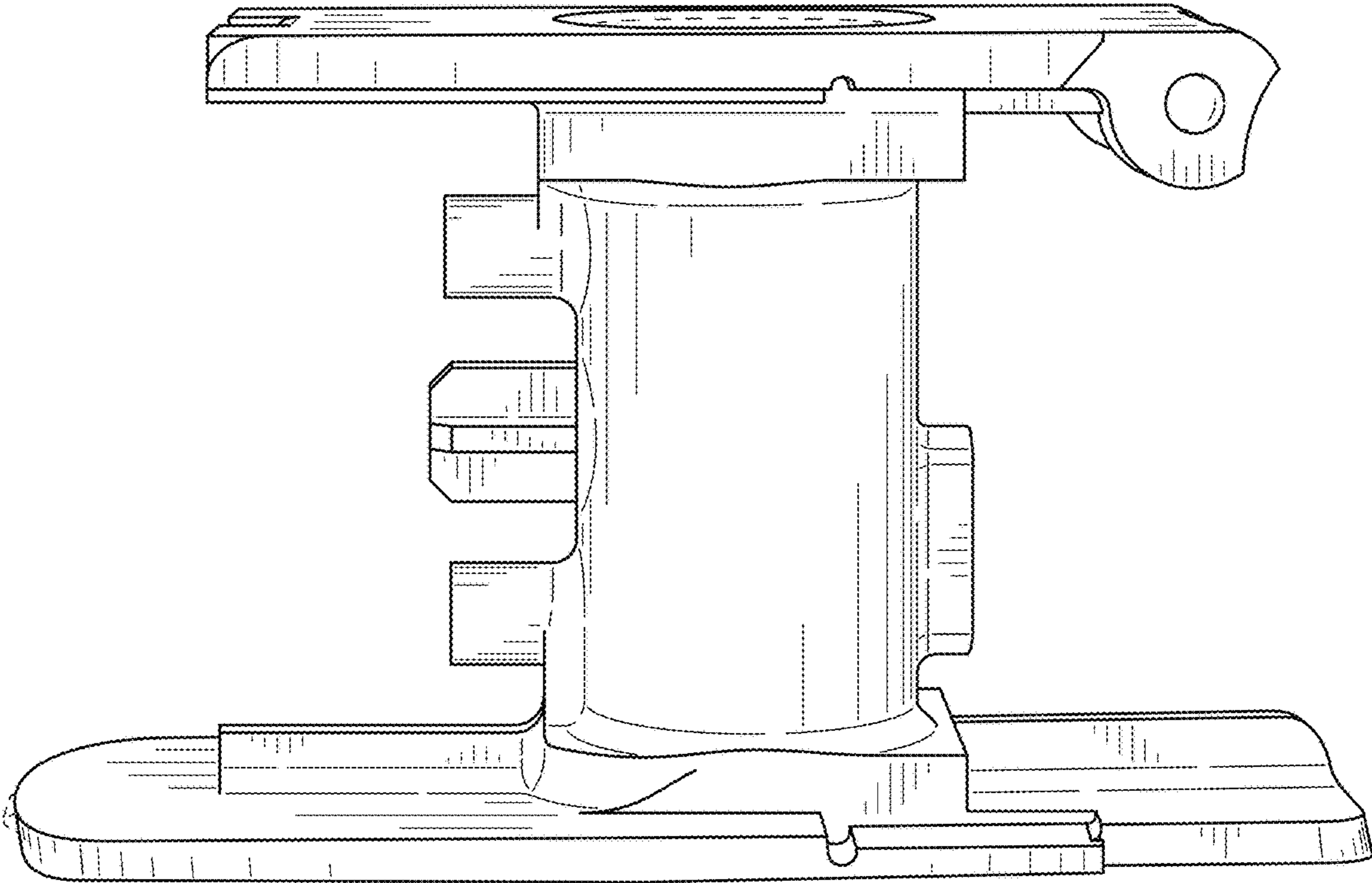


FIG. 4

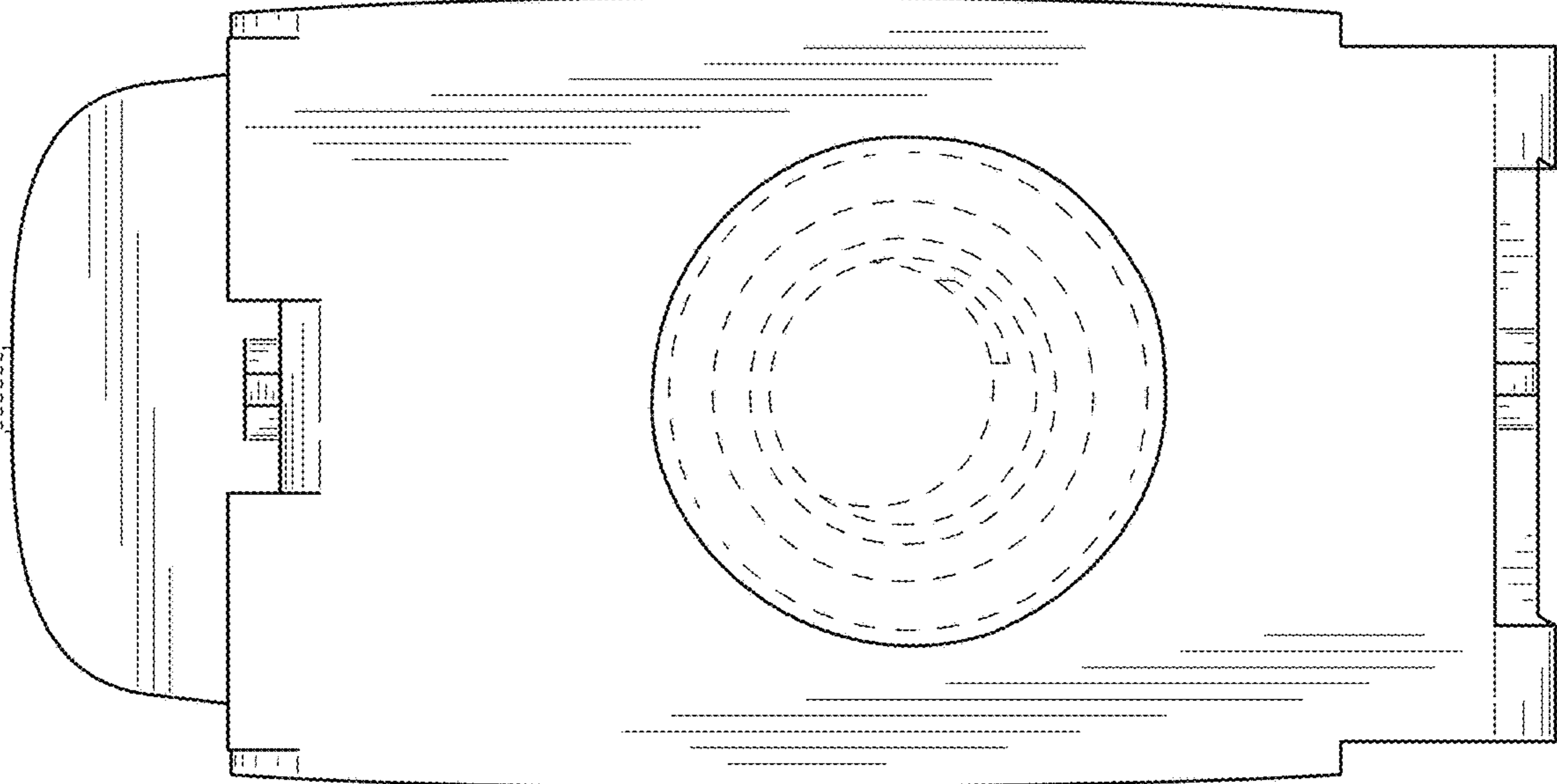


FIG. 5

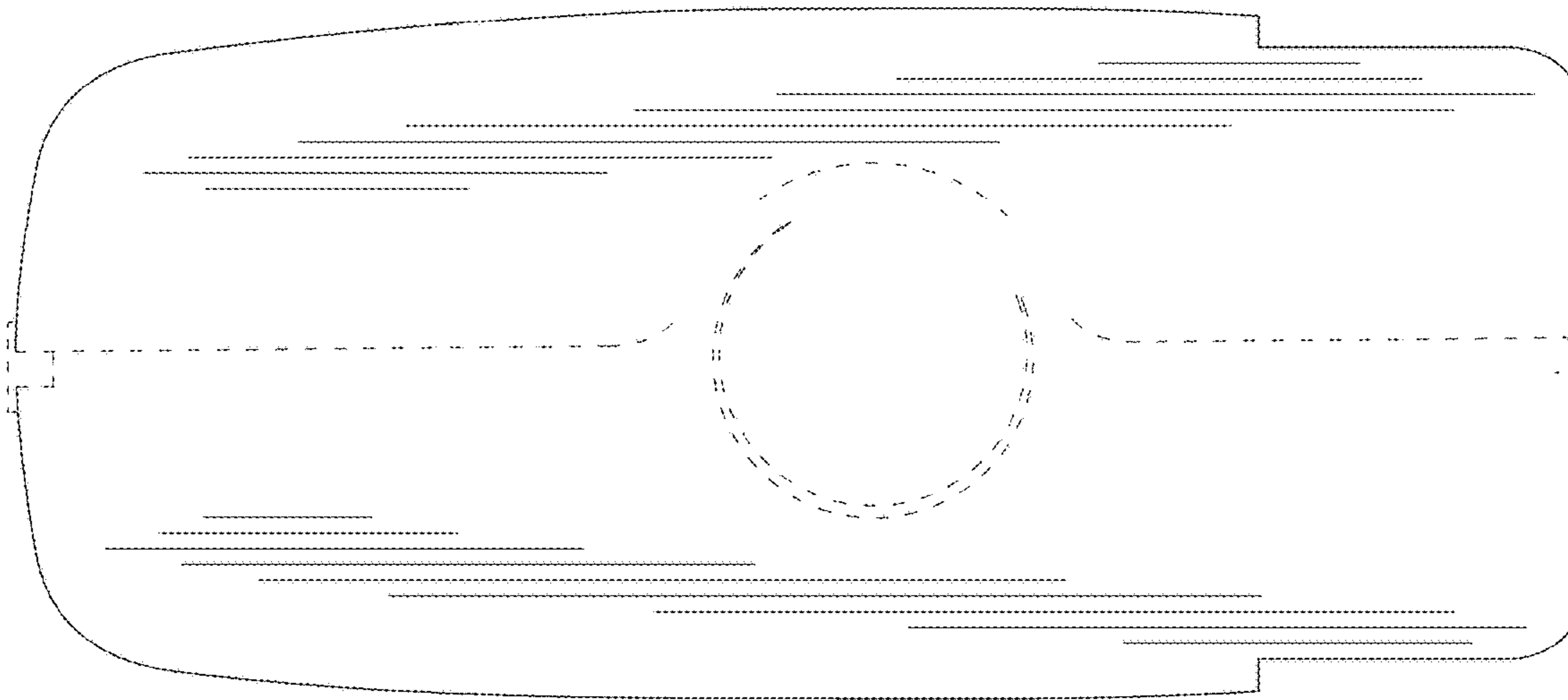


FIG. 6