



US00D790682S

(12) **United States Design Patent**
Cummings

(10) **Patent No.:** **US D790,682 S**
(45) **Date of Patent:** **** Jun. 27, 2017**

- (54) **POOL BLOWER DEVICE**
- (71) Applicant: **Josiah D. Cummings**, Goshen, IN (US)
- (72) Inventor: **Josiah D. Cummings**, Goshen, IN (US)
- (**) Term: **14 Years**
- (21) Appl. No.: **29/525,124**
- (22) Filed: **Apr. 27, 2015**

- D332,524 S * 1/1993 Gray D3/284
- D340,556 S * 10/1993 Berfield D32/1
- D348,152 S * 6/1994 Roeper D3/282
- 5,416,421 A * 5/1995 Doland, Sr. G01R 31/44
324/156

(Continued)

Related U.S. Application Data

- (63) Continuation-in-part of application No. 14/682,597, filed on Apr. 9, 2015.
- (51) **LOC (10) Cl.** **23-04**
- (52) **U.S. Cl.**
USPC **D23/383**
- (58) **Field of Classification Search**
USPC D23/370–376, 355, 377, 378–385,
D23/411–414; D3/273–274, 276,
D3/281–282, 294, 905; D32/18, 21, 24
CPC E04H 4/16; E04H 4/1618; E04H 4/1636;
E04H 4/1645
See application file for complete search history.

OTHER PUBLICATIONS

Winter is Coming: 2016 Winterizing Product Roundup, posted Aug. 2016, aquamagazine.com, site visited Feb. 10, 2017, Copyright © 2017, Available from Internet, <<http://aquamagazine.com/products/winter-is-coming.html>>.*

Primary Examiner — Cathron Brooks
Assistant Examiner — Sharon S Oum

(57) **CLAIM**

The ornamental design for a pool blower device, as shown and described.

DESCRIPTION

FIG. 1 is a perspective view of a pool blower device showing my new design;
FIG. 2 is a side view thereof;
FIG. 3 is an opposite side view thereof;
FIG. 4 is a back view thereof;
FIG. 5 is a front view thereof;
FIG. 6 is a top view thereof; and,
FIG. 7 is a bottom view thereof.

In FIG. 1, the broken line showing of the power cord is for the purpose of illustrating portions of the pool blower device and forms no part of the claimed design.

In FIG. 3, the broken line showing of the hinge, the mesh structure, the screws and circular structures are for the purpose of illustrating portions of the pool blower device and forms no part of the claimed design.

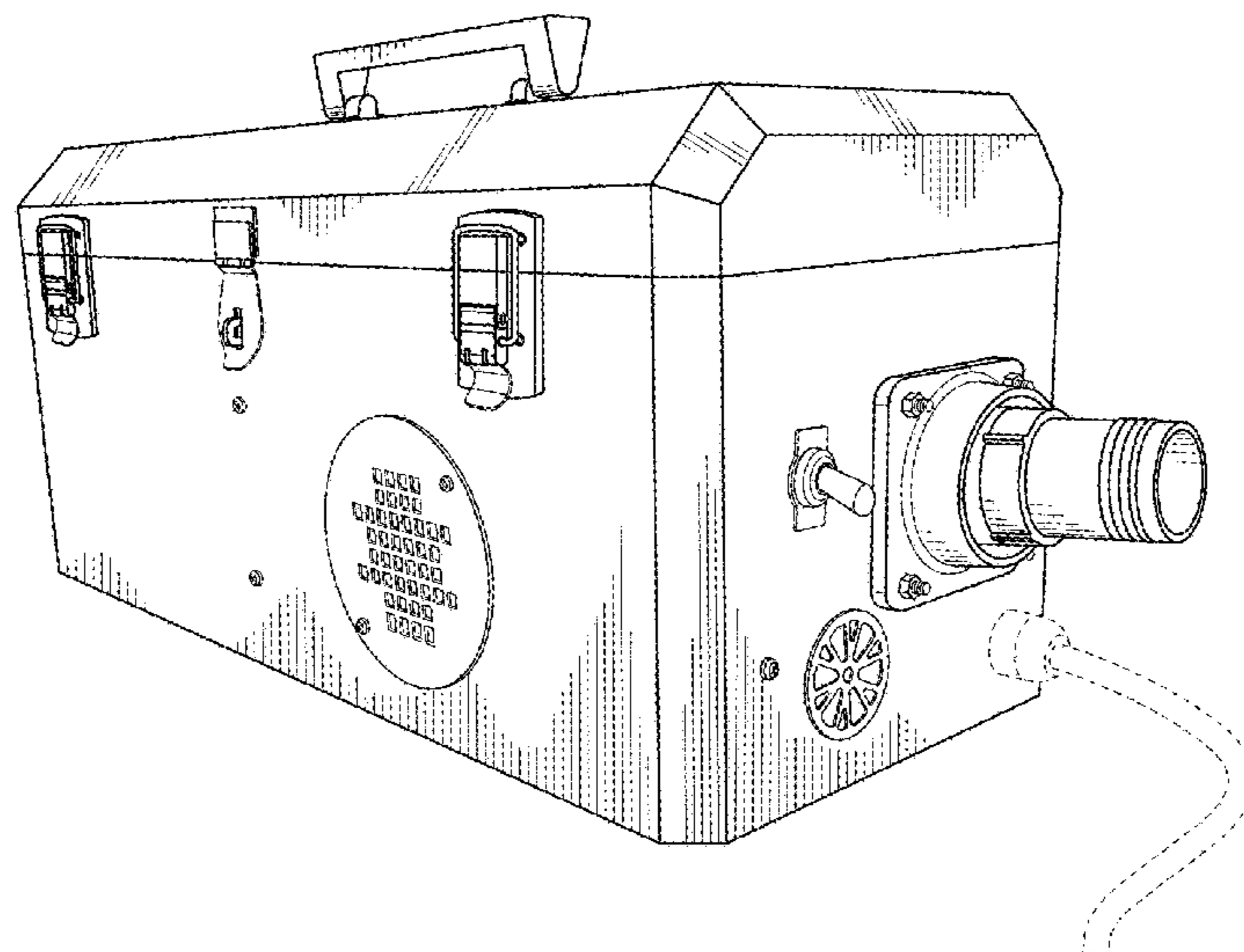
In FIG. 5, the broken line showing of the power outlet is for the purpose of illustrating portions of the pool blower device and forms no part of the claimed design.

(56) **References Cited**

U.S. PATENT DOCUMENTS

- 3,050,356 A * 8/1962 Messmer A01K 97/06
206/315.11
- D219,752 S * 1/1971 Gantz et al. D32/18
- D235,875 S * 7/1975 Osrow D23/385
- D235,924 S * 7/1975 Bright et al. D15/8
- D237,121 S * 10/1975 Metzner D3/284
- 3,969,043 A * 7/1976 Bright F04D 13/06
310/54
- D252,249 S * 7/1979 Cooper D32/18
- D268,390 S * 3/1983 Shaughnessy D14/168
- D293,735 S * 1/1988 Ault D3/291
- D306,096 S * 2/1990 Dickinson D3/281
- D321,433 S * 11/1991 Dickinson D3/281
- D325,672 S * 4/1992 Baker D3/274

1 Claim, 4 Drawing Sheets



(56)

References Cited

U.S. PATENT DOCUMENTS

D364,161	S	*	11/1995	Campbell	D14/168
D365,733	S	*	1/1996	Freedland	D14/168
D366,522	S	*	1/1996	Lagace	D23/370
D375,311	S	*	11/1996	Keseling	D14/168
D379,560	S	*	6/1997	Baker	D3/260
D379,561	S	*	6/1997	Watson	D3/260
D399,030	S	*	9/1998	Lopes	D32/21
5,985,156	A	*	11/1999	Henkin	E04H 4/1654 134/167 R
D420,909	S	*	2/2000	Tadayon	D3/905
D444,924	S	*	7/2001	Henning	D30/158
D455,240	S	*	4/2002	Paterson	D32/18
D465,378	S	*	11/2002	Hermansen	D7/332
D470,659	S	*	2/2003	Story	D3/281
D558,410	S	*	12/2007	Hill	D32/21
D563,064	S	*	2/2008	Vezina	D32/24
D663,952	S	*	7/2012	Crevling, Jr.	D3/274
D672,864	S	*	12/2012	Miyake	D23/385
D674,474	S	*	1/2013	Rentschler	D23/364
8,415,921	B1	*	4/2013	Young	H02J 7/0045 320/107
9,016,290	B2	*	4/2015	Kovarik	C02F 1/001 134/93

* cited by examiner

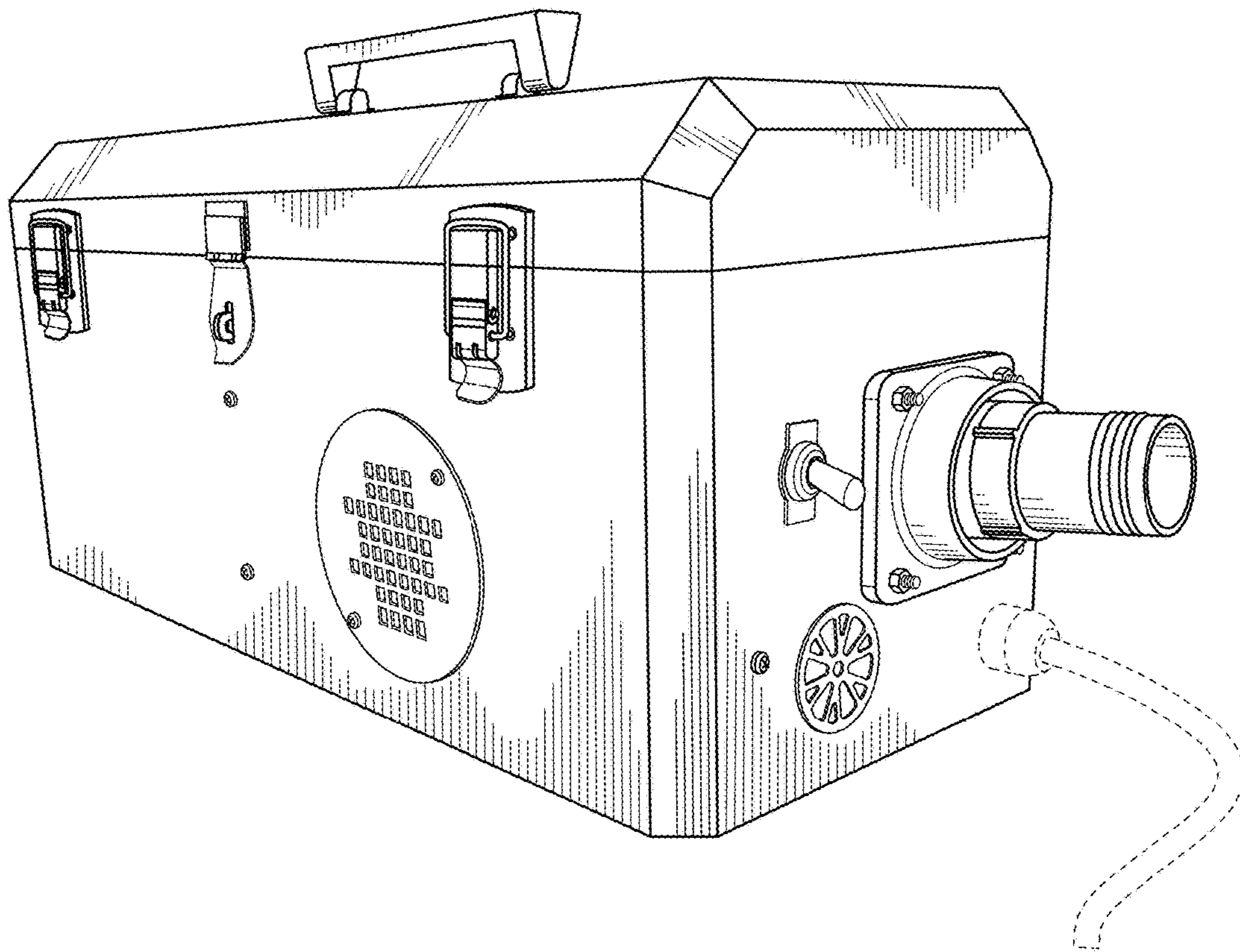


FIG. 1

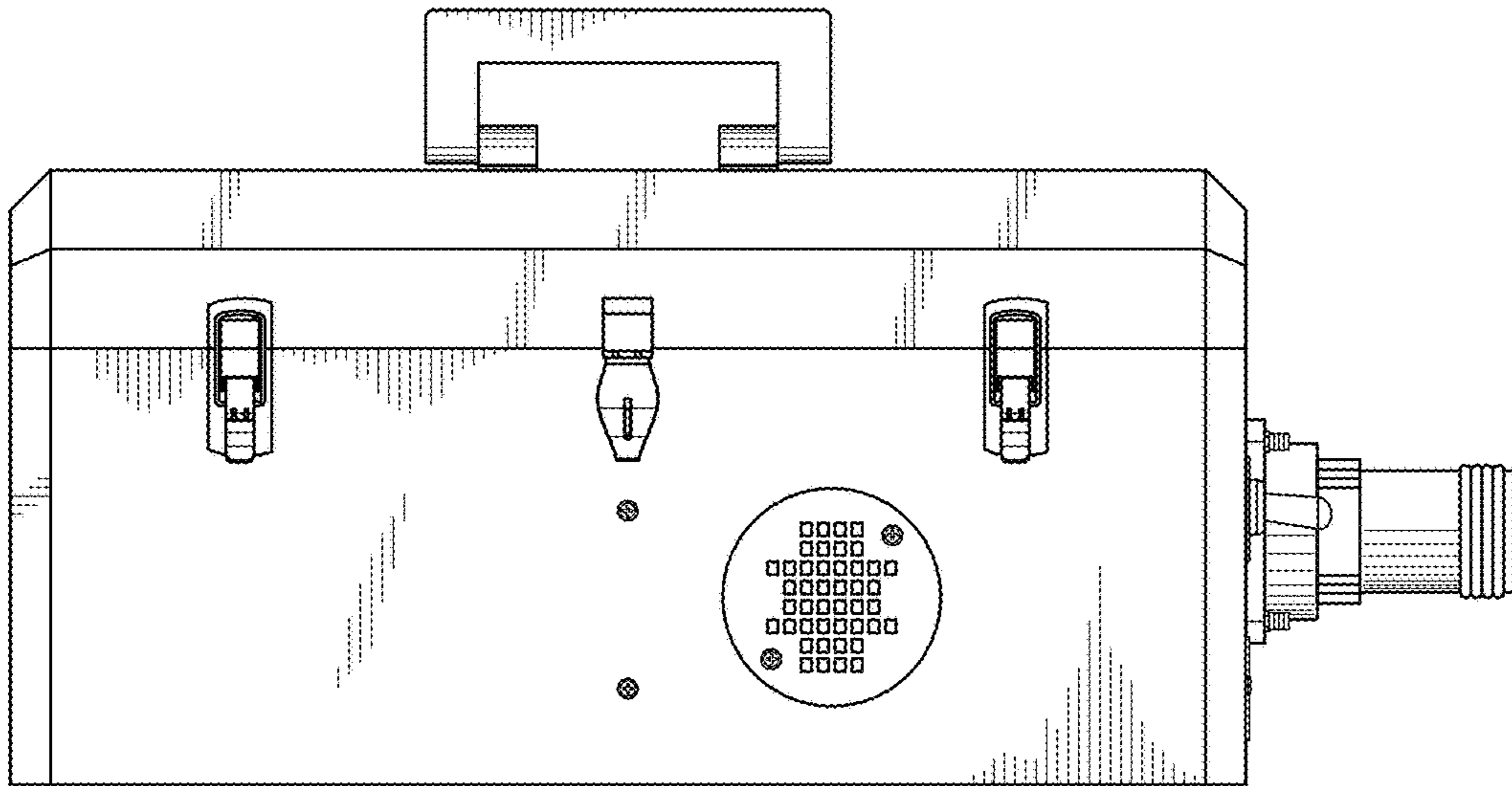


FIG. 2

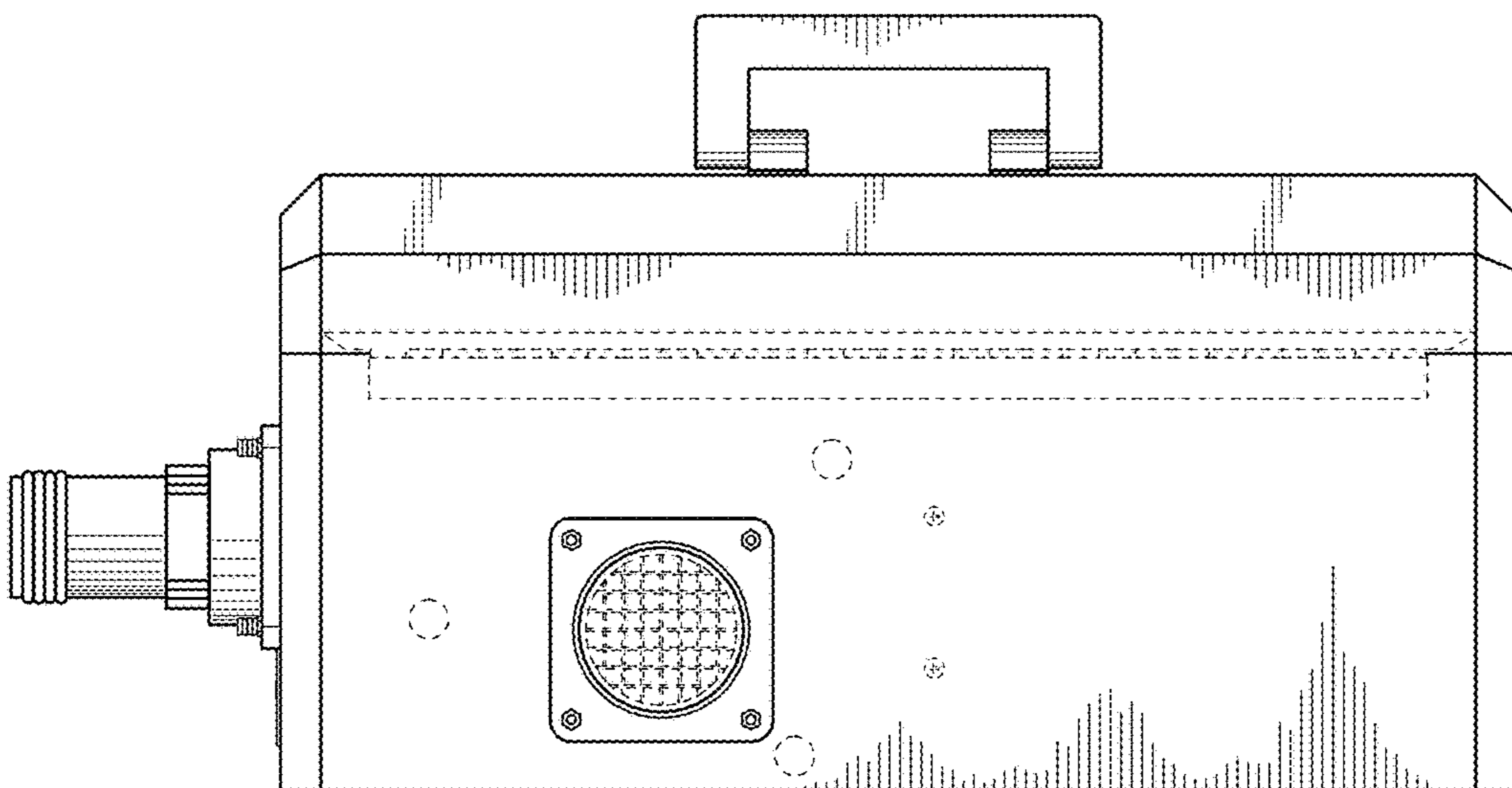


FIG. 3

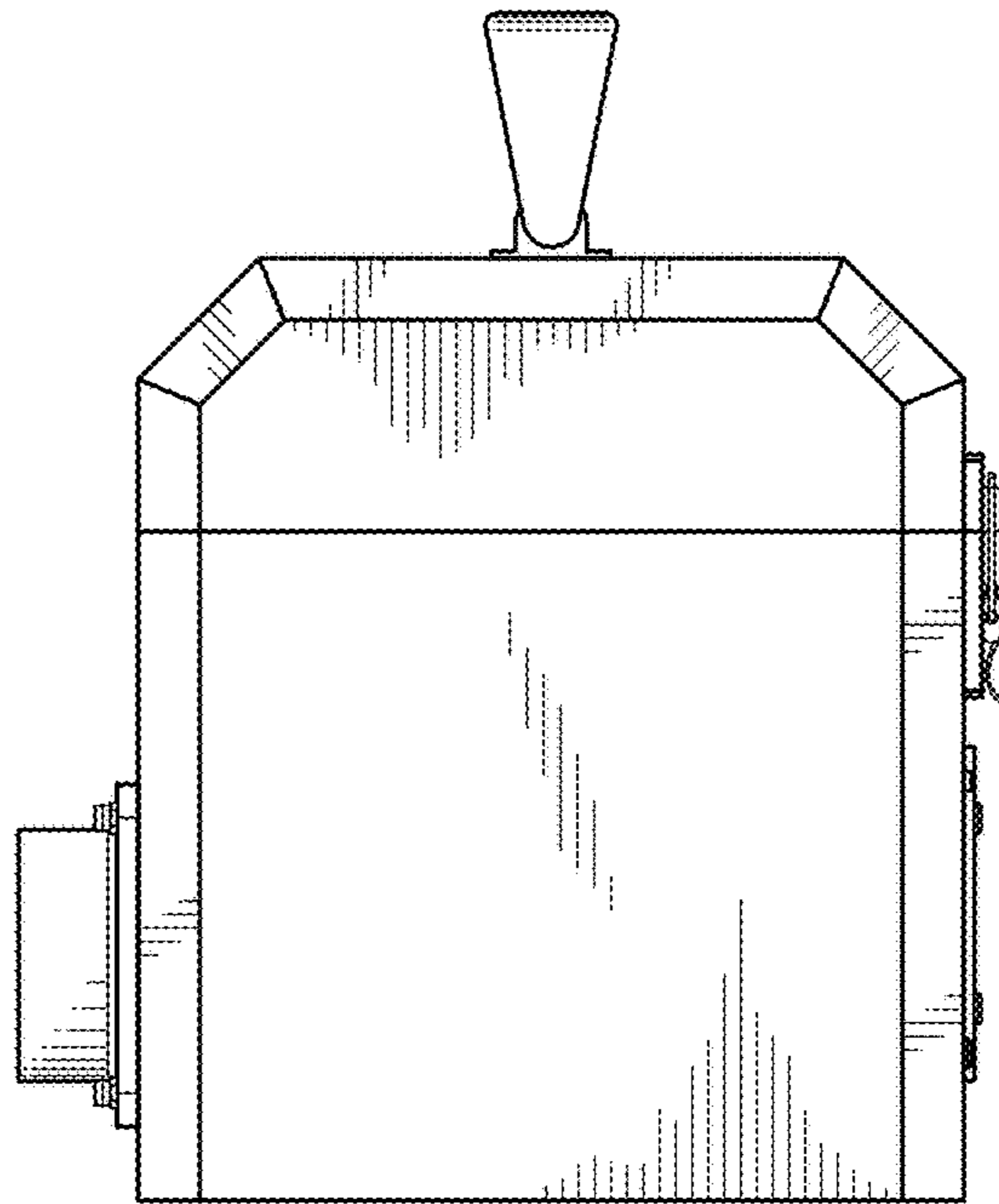


FIG. 4

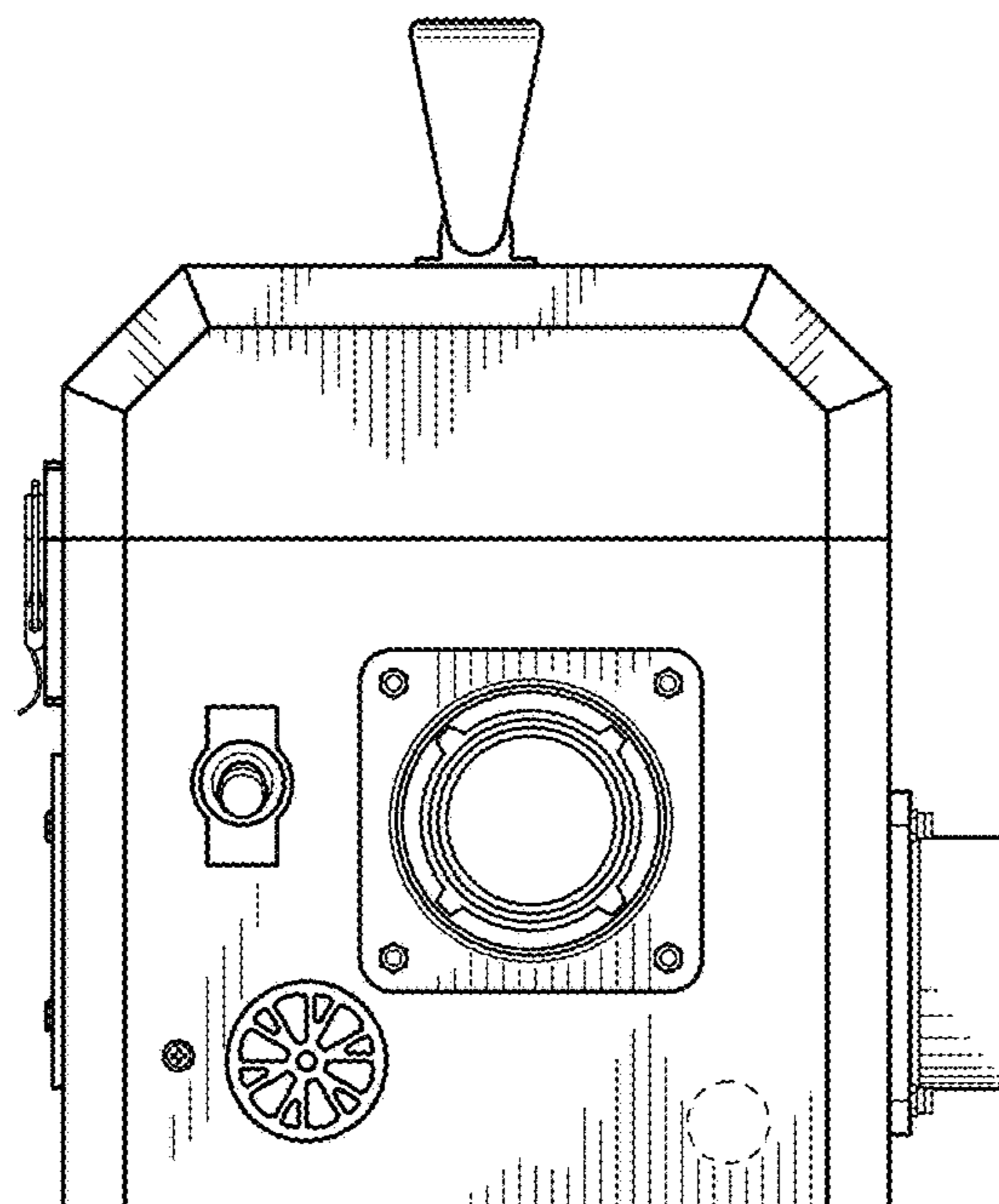


FIG. 5

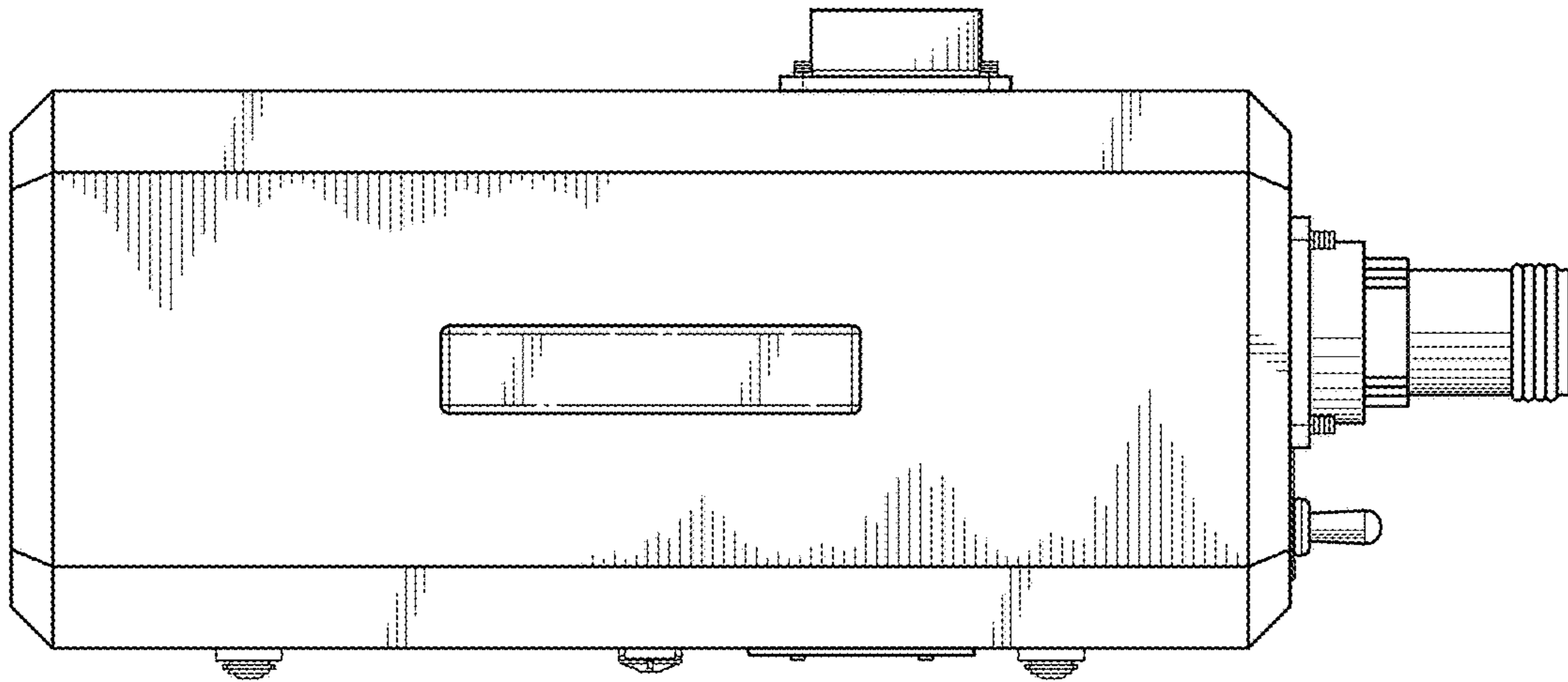


FIG. 6

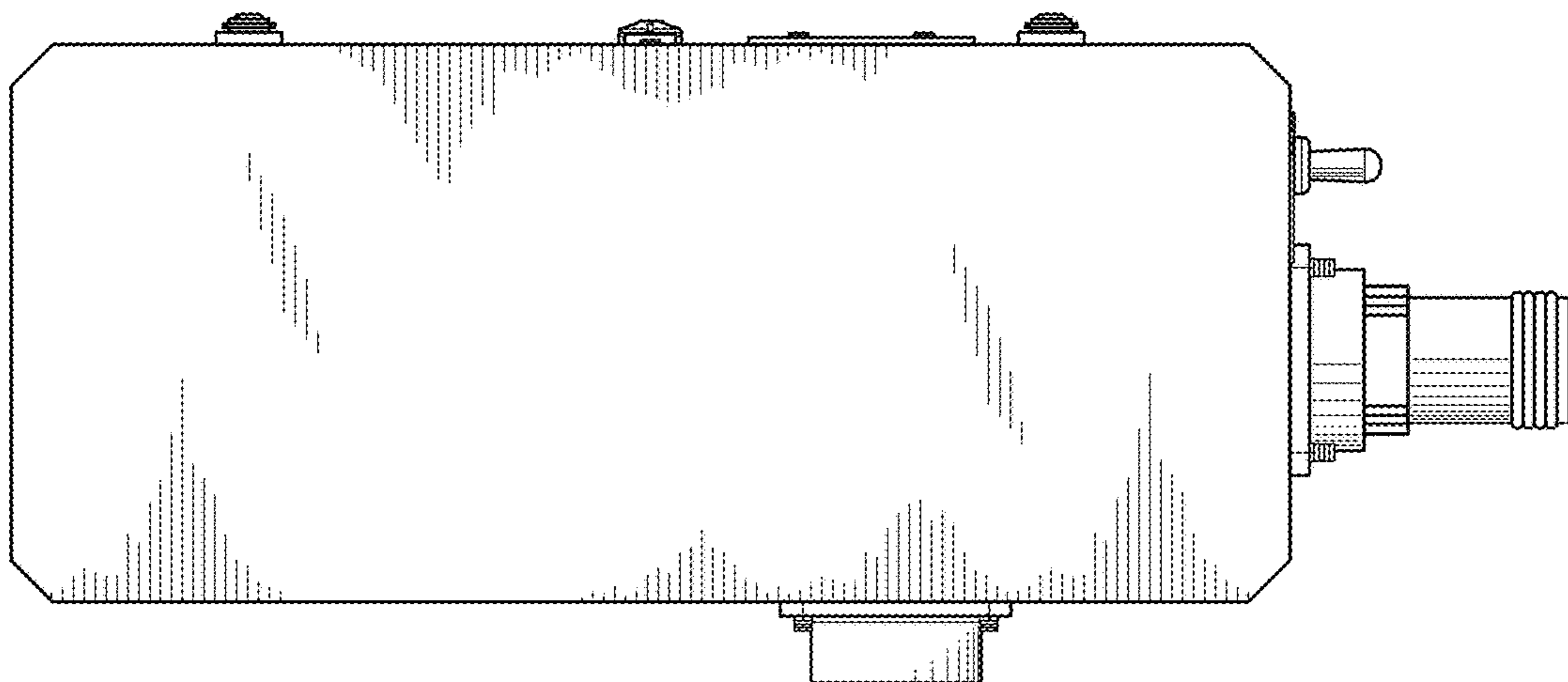


FIG. 7