



US00D790681S

(12) **United States Design Patent** (10) **Patent No.:** **US D790,681 S**
Poulton et al. (45) **Date of Patent:** **** Jun. 27, 2017**

(54) **FAN**

(71) Applicant: **Dyson Technology Limited**, Wiltshire (GB)

(72) Inventors: **Roy Edward Poulton**, Swindon (GB);
Ben Thomas Edmonds, Swindon (GB);
George Oram, Gloucester (GB);
Thomas Douglas Ridley, Bristol (GB);
Leanne Joyce Garner, Bristol (GB);
Adam James Bates, Oxford (GB);
Peter David Gammack, Gloucester (GB);
Michael Graham Love, Bristol (GB)

(73) Assignee: **Dyson Technology Limited**, Malmesbury, Wiltshire (GB)

(**) Term: **15 Years**

(21) Appl. No.: **29/567,897**

(22) Filed: **Jun. 13, 2016**

(51) **LOC (10) Cl.** **23-04**

(52) **U.S. Cl.**
 USPC **D23/370**

(58) **Field of Classification Search**
 USPC D23/370, 355, 385, 386, 342, 336, 337,
 D23/376, 378
 CPC F04D 29/703; F04D 29/403; F04D 3/00;
 F04D 17/00
 See application file for complete search history.

(56) **References Cited**

U.S. PATENT DOCUMENTS

D598,532 S	*	8/2009	Dyson	D23/370
D605,748 S	*	12/2009	Gammack	D23/370
D638,114 S		5/2011	Li et al.		
D672,023 S	*	12/2012	Wallace	D23/332
D705,415 S		5/2014	Lo		
D728,769 S		5/2015	Dyson et al.		

D728,770 S		5/2015	Dyson et al.		
D729,372 S		5/2015	McPherson et al.		
D746,425 S	*	12/2015	Dyson	D23/356
D746,966 S		1/2016	Dyson et al.		
D747,450 S		1/2016	Dyson et al.		
D749,231 S		2/2016	Dyson et al.		
D768,280 S		10/2016	Peet et al.		
D768,281 S		10/2016	Peet et al.		
D768,839 S		10/2016	Peet et al.		
D768,840 S		10/2016	Peet et al.		
D768,841 S		10/2016	Peet et al.		
D768,842 S	*	10/2016	Peet	D23/370
2012/0318393 A1		12/2012	Tsen		
2014/0210114 A1*		7/2014	Staniforth	F04D 25/08 261/30
2016/0238026 A1		8/2016	Barclay		
2016/0238037 A1		8/2016	Peet et al.		
2016/0238038 A1		8/2016	Hughes et al.		
2016/0238039 A1*		8/2016	Stewart	F04D 29/403

* cited by examiner

Primary Examiner — Susan Bennett Hattan
Assistant Examiner — Janice Hallmark
 (74) *Attorney, Agent, or Firm* — Morrison & Foerster LLP

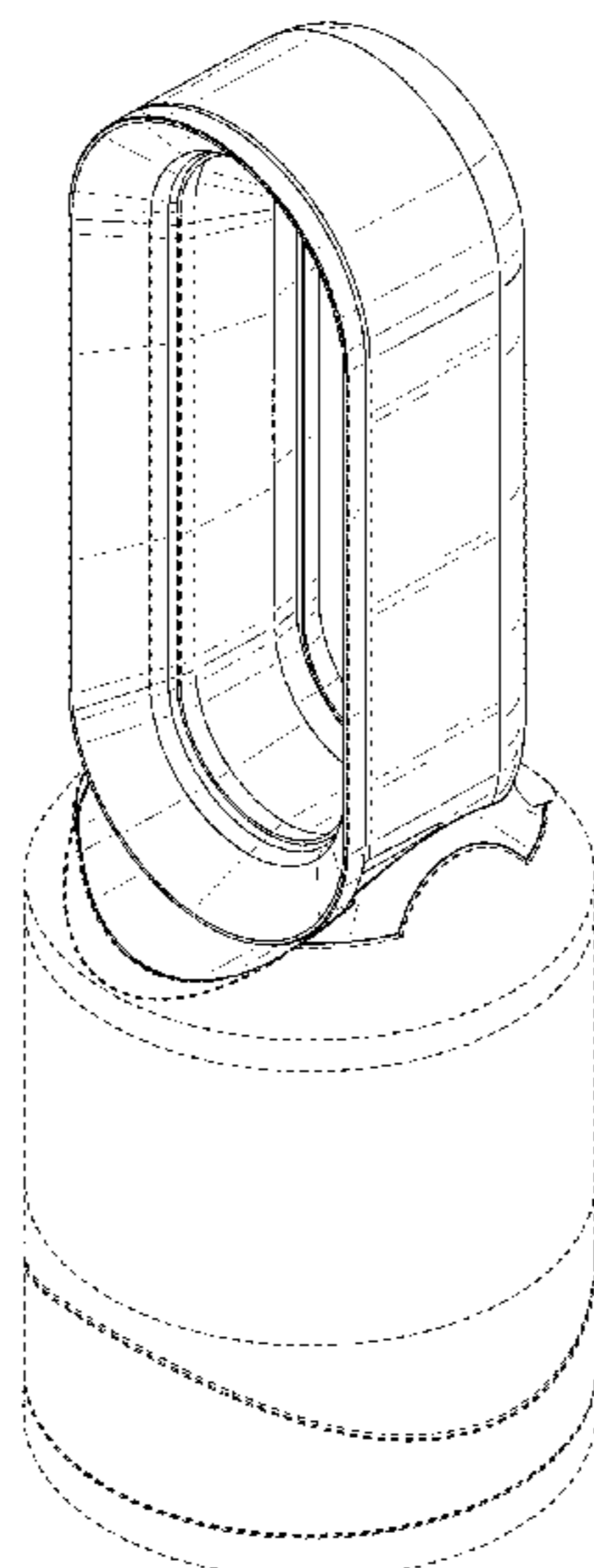
(57) **CLAIM**

We claim the ornamental design for a fan, as shown and described.

DESCRIPTION

FIG. 1 is a perspective view of a fan showing our new design;
 FIG. 2 is a front view thereof;
 FIG. 3 is a rear view thereof;
 FIG. 4 is a side view thereof;
 FIG. 5 is a side view of the opposite side of FIG. 4;
 FIG. 6 is a top view thereof; and,
 FIG. 7 is a bottom view thereof.
 The broken lines in the drawings depict parts of the fan that form no part of the claimed design.

1 Claim, 6 Drawing Sheets



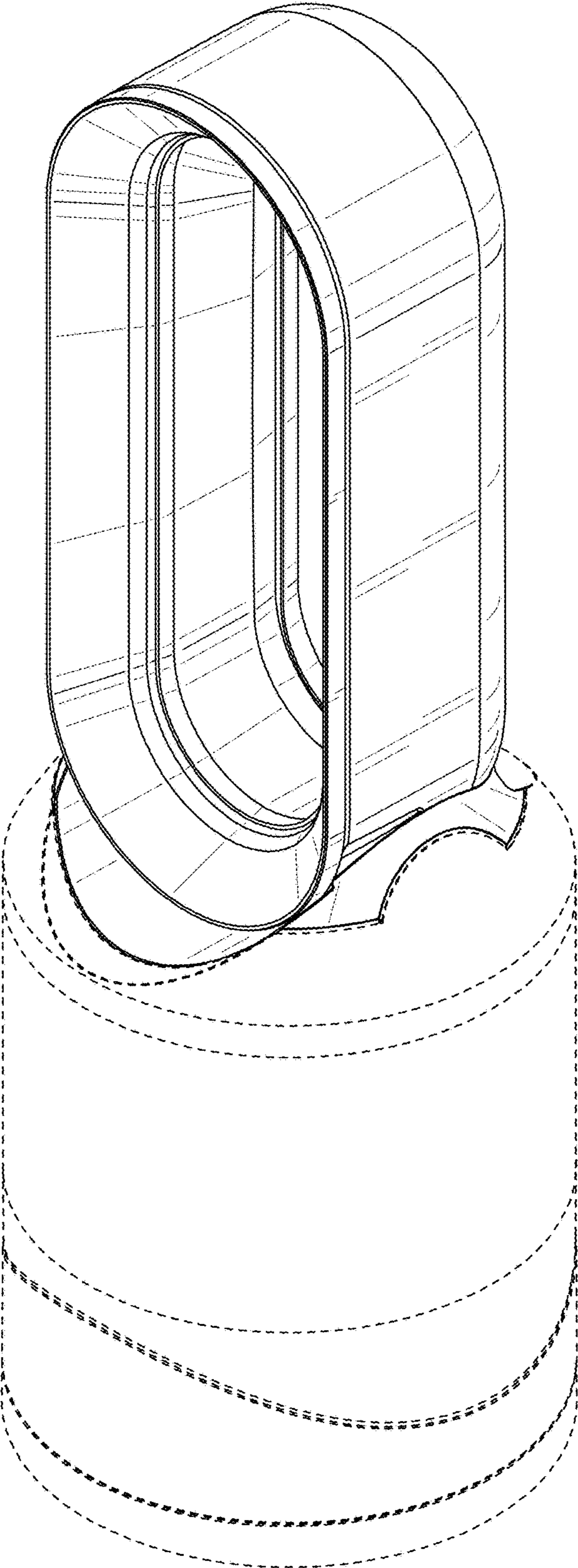


FIG. 1

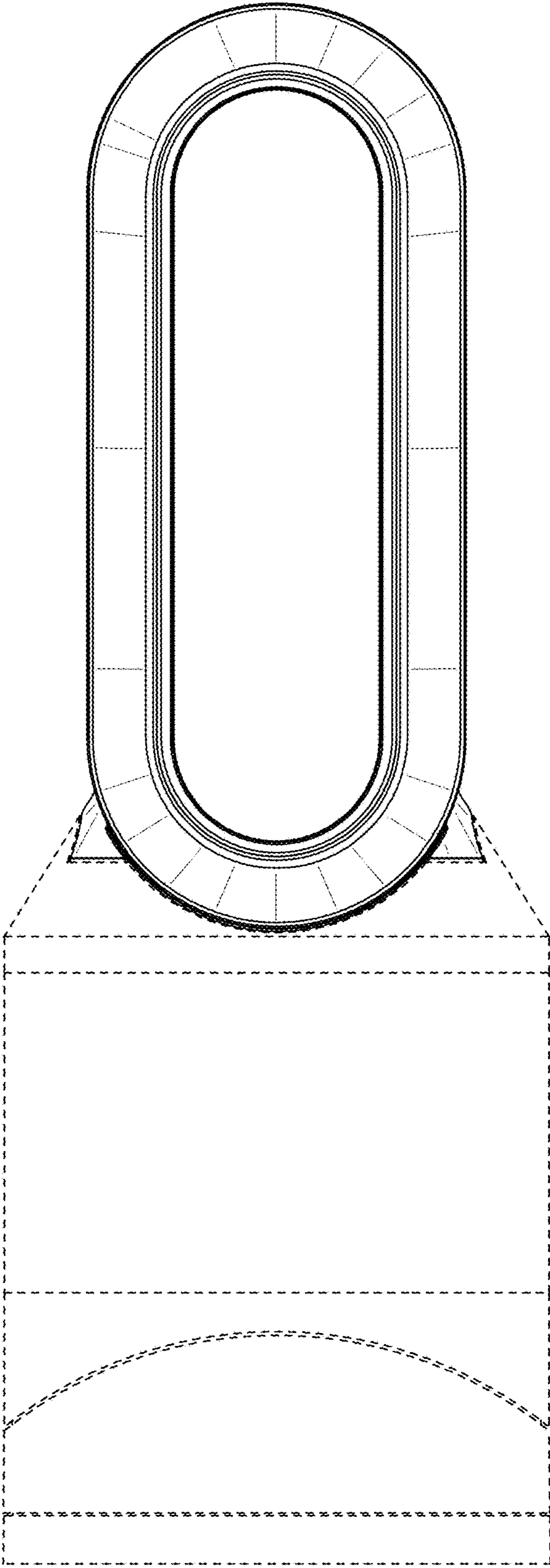


FIG. 2

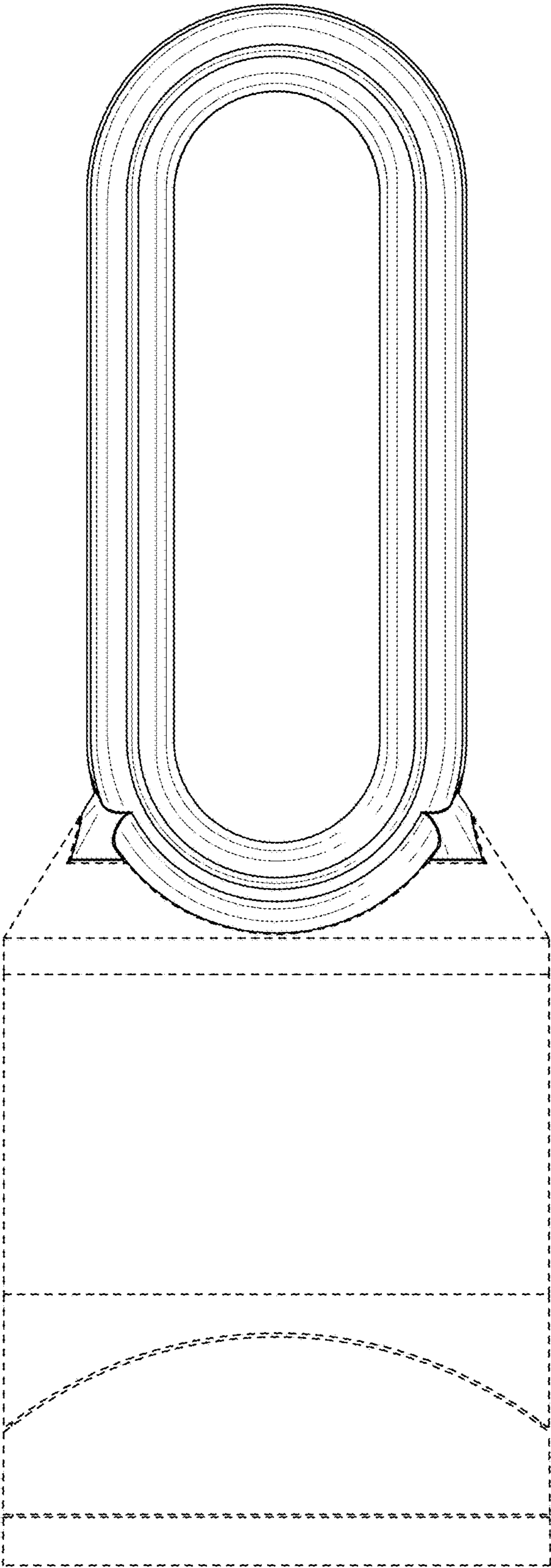


FIG. 3

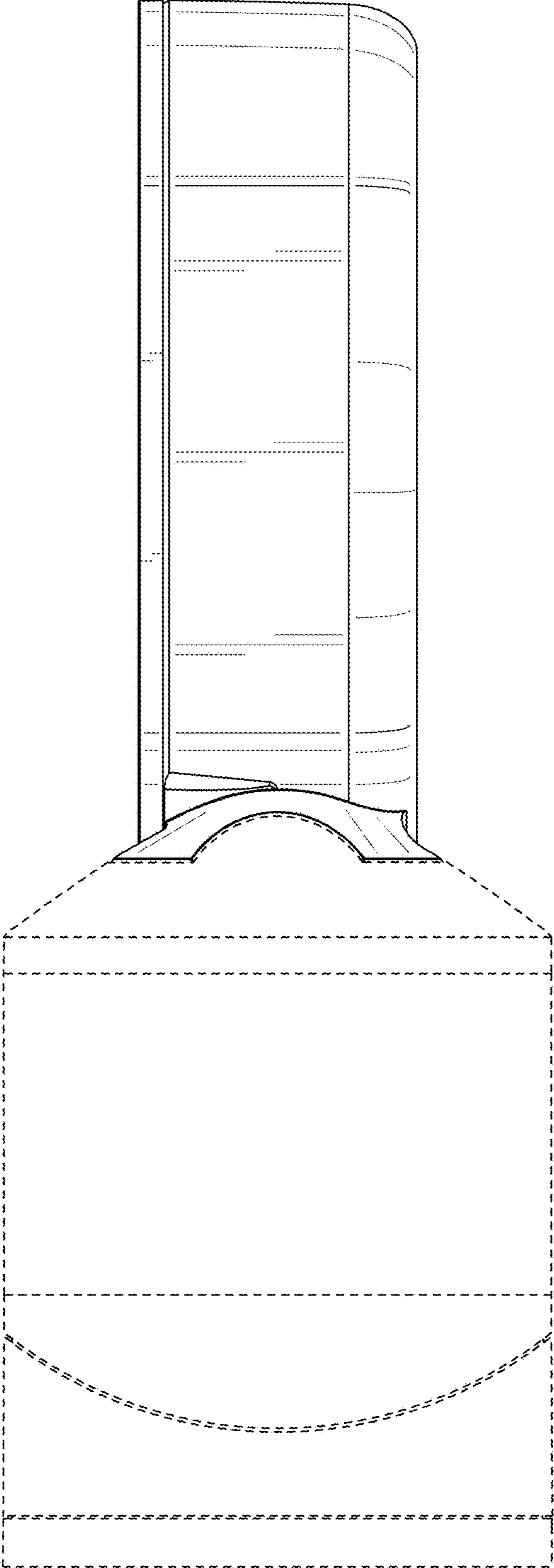


FIG. 4

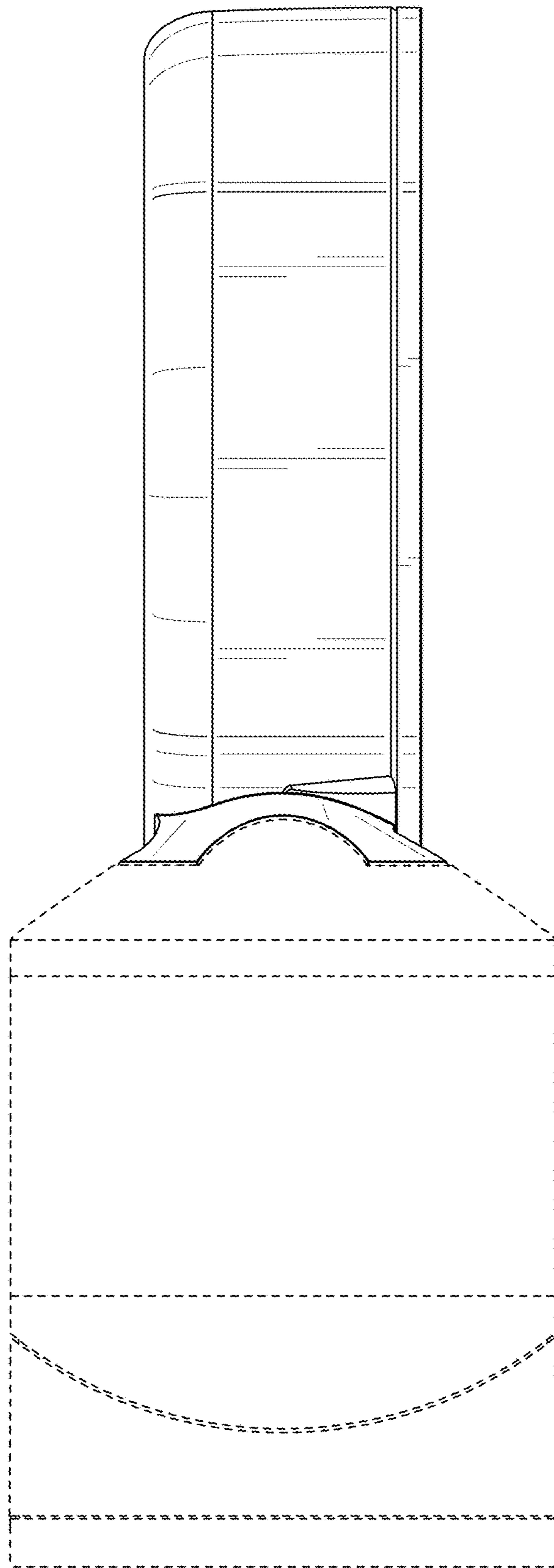


FIG. 5

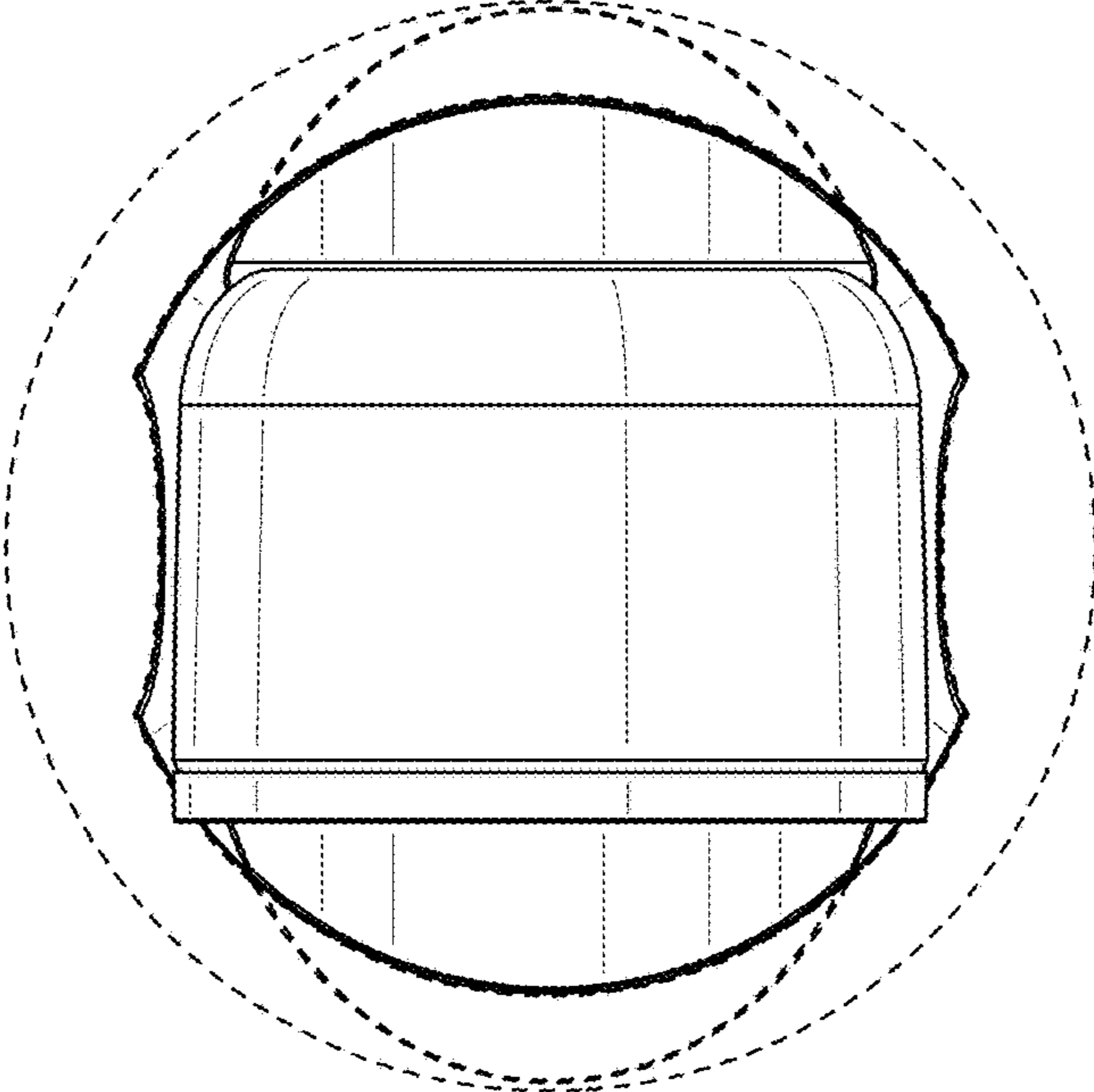


FIG. 6

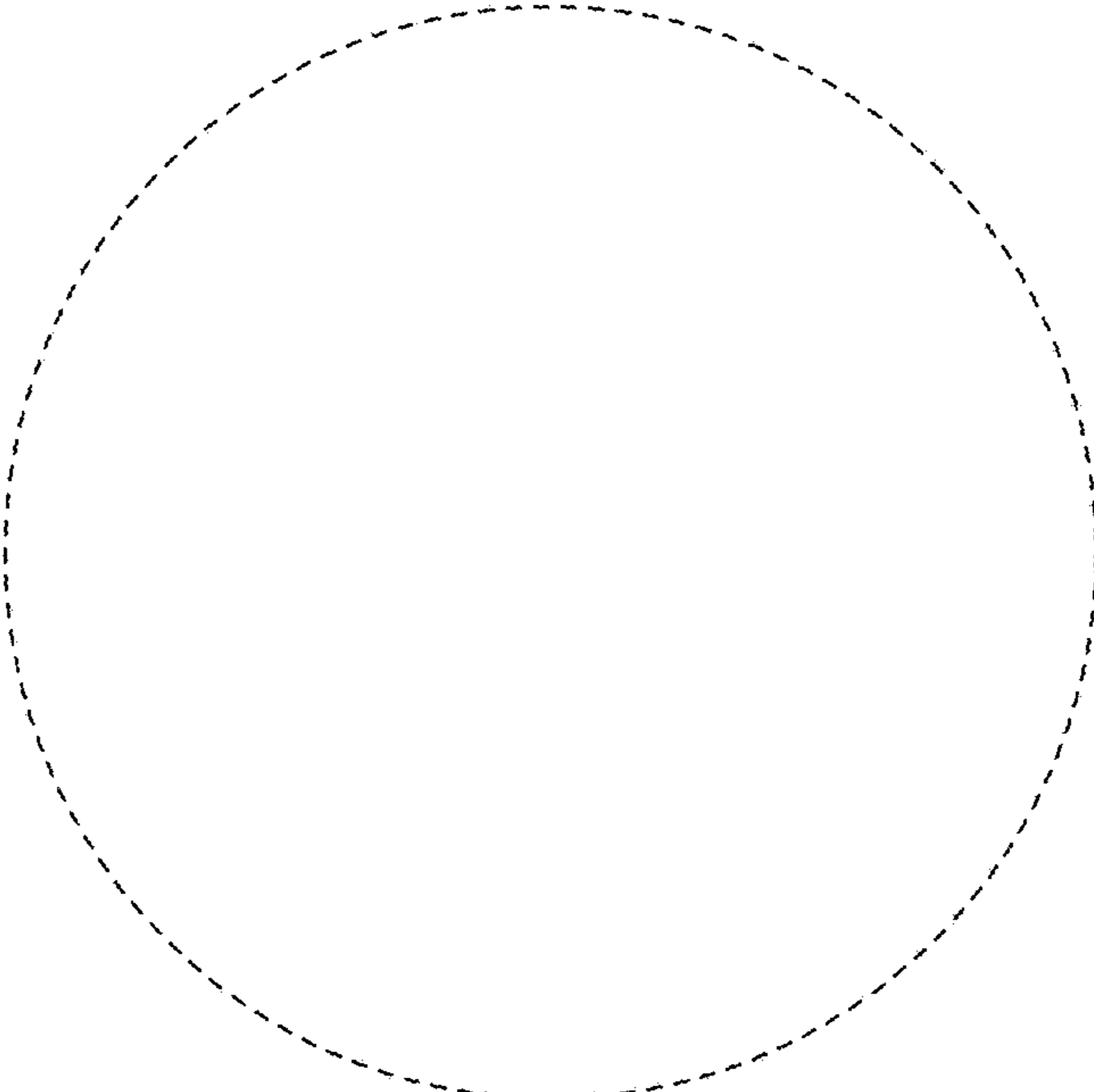


FIG. 7