



US00D790679S

(12) **United States Design Patent**  
**Miller et al.**

(10) **Patent No.:** **US D790,679 S**  
(45) **Date of Patent:** **\*\* Jun. 27, 2017**

(54) **HUMIDIFICATION APPARATUS FOR RESPIRATORY EQUIPMENT**

(71) Applicant: **Intersurgical AG**, Vaduz (LI)

(72) Inventors: **Andrew Neil Miller**, Wokingham (GB);  
**Christopher Edgerley Booth**,  
Wokingham (GB)

(73) Assignee: **Intersurgical AG**, Vaduz (LI)

(\*\*) Term: **15 Years**

(21) Appl. No.: **29/539,816**

(22) Filed: **Sep. 17, 2015**

(51) **LOC (10) Cl.** ..... **23-04**

(52) **U.S. Cl.**  
USPC ..... **D23/356**

(58) **Field of Classification Search**  
USPC ..... D23/364, 366, 333, 332, 355, 356, 359  
CPC ..... B01D 46/02; B01D 46/00  
See application file for complete search history.

(56) **References Cited**

U.S. PATENT DOCUMENTS

D400,661 S	*	11/1998	Ko	.....	D23/355
D437,038 S	*	1/2001	Chuan	.....	D23/364
D496,991 S	*	10/2004	Yang	.....	D23/355
D497,664 S	*	10/2004	Puri	.....	D23/364

D728,088 S 4/2015 Miller et al.  
2011/0100363 A1\* 5/2011 Barclay ..... A61M 16/0808  
128/203.26

2013/0247905 A1 9/2013 Miller et al.  
2014/0251322 A1 9/2014 Miller  
2017/0049984 A1\* 2/2017 Biener ..... A61M 16/0666

\* cited by examiner

*Primary Examiner* — Kevin Rudzinski

(74) *Attorney, Agent, or Firm* — LeClairRyan, a  
Professional Corporation

(57) **CLAIM**

The ornamental design for a humidification apparatus for respiratory equipment, as shown and described.

**DESCRIPTION**

FIG. 1 is a front elevational view of a humidification apparatus for respiratory equipment.

FIG. 2 is a rear elevational view of the humidification apparatus for respiratory equipment shown in FIG. 1.

FIG. 3 is a left elevational view of the humidification apparatus for respiratory equipment shown in FIG. 1.

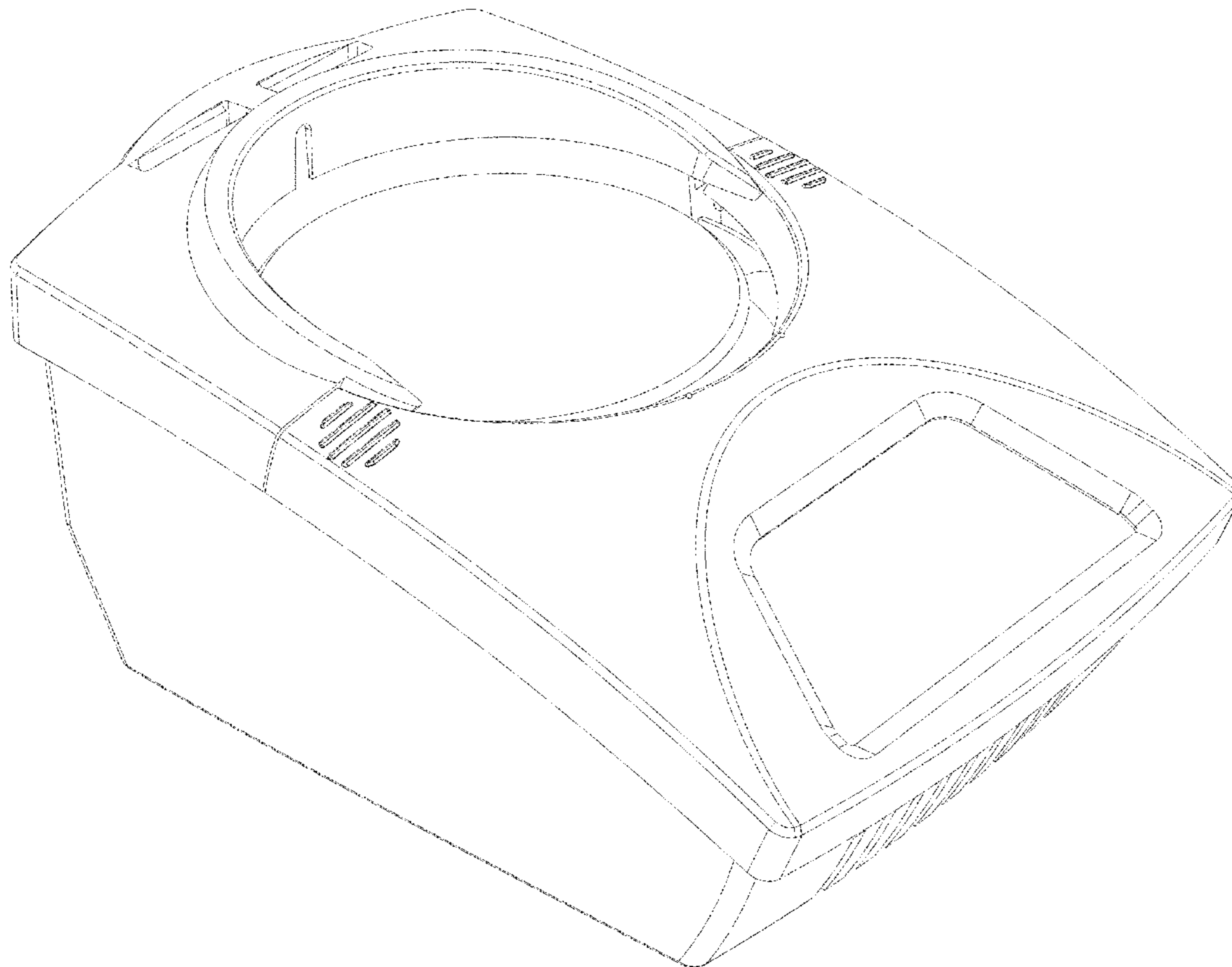
FIG. 4 is a right elevational view of the humidification apparatus for respiratory equipment shown in FIG. 1.

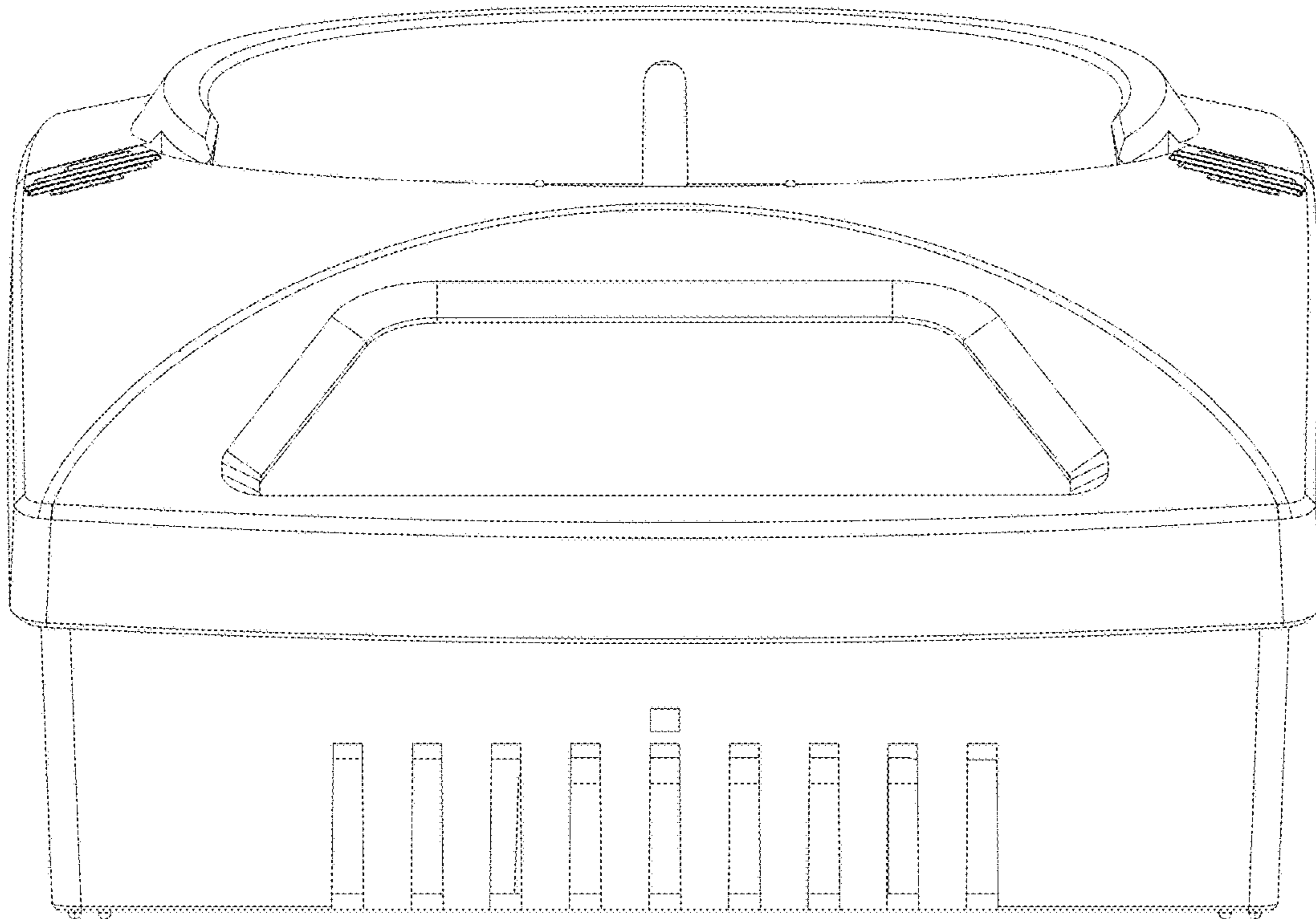
FIG. 5 is a top plan view of the humidification apparatus for respiratory equipment shown in FIG. 1.

FIG. 6 is a front left perspective view of the humidification apparatus for respiratory equipment shown in FIG. 1; and,

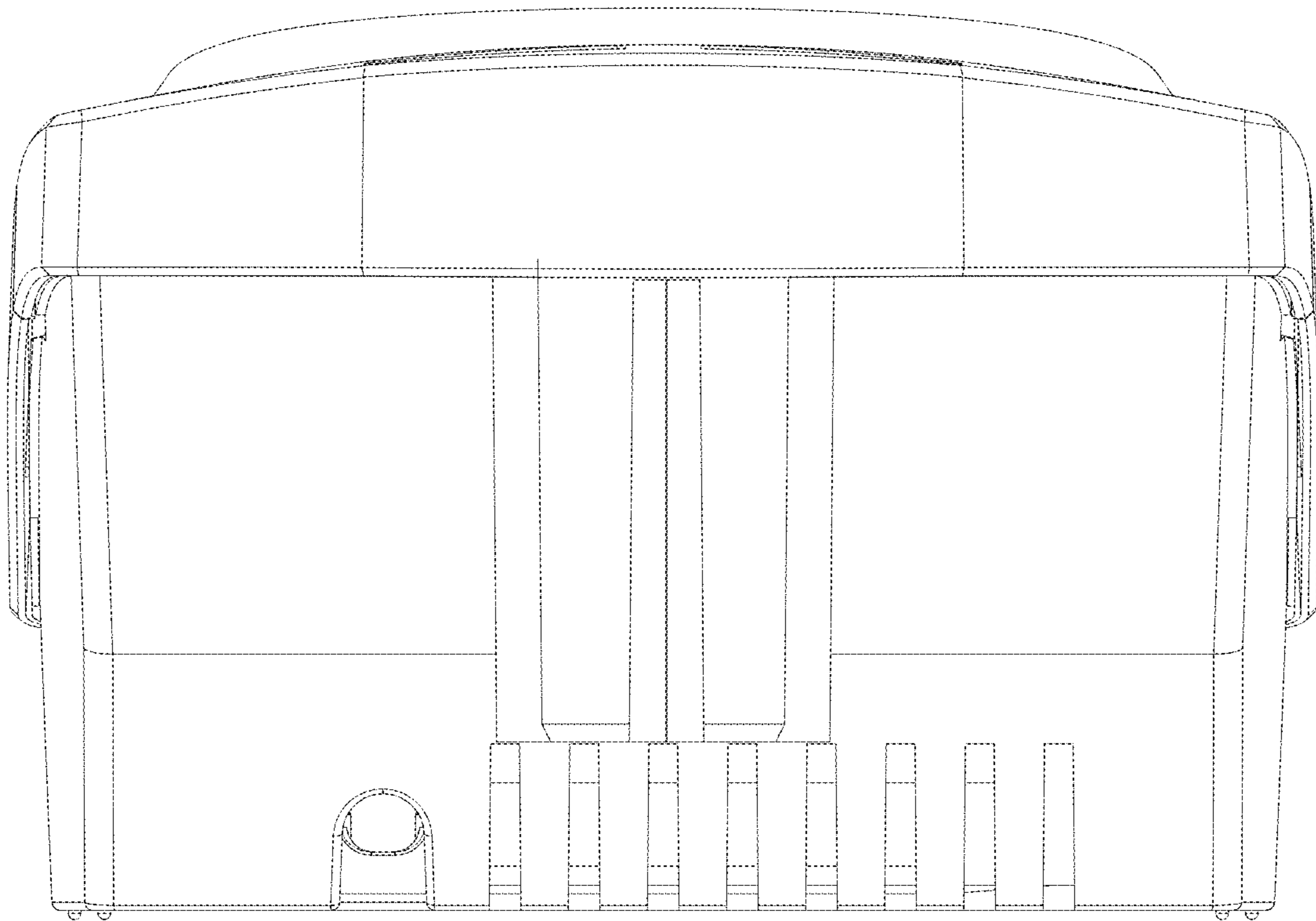
FIG. 7 is a rear right perspective view of the humidification apparatus for respiratory equipment shown in FIG. 1.

**1 Claim, 7 Drawing Sheets**

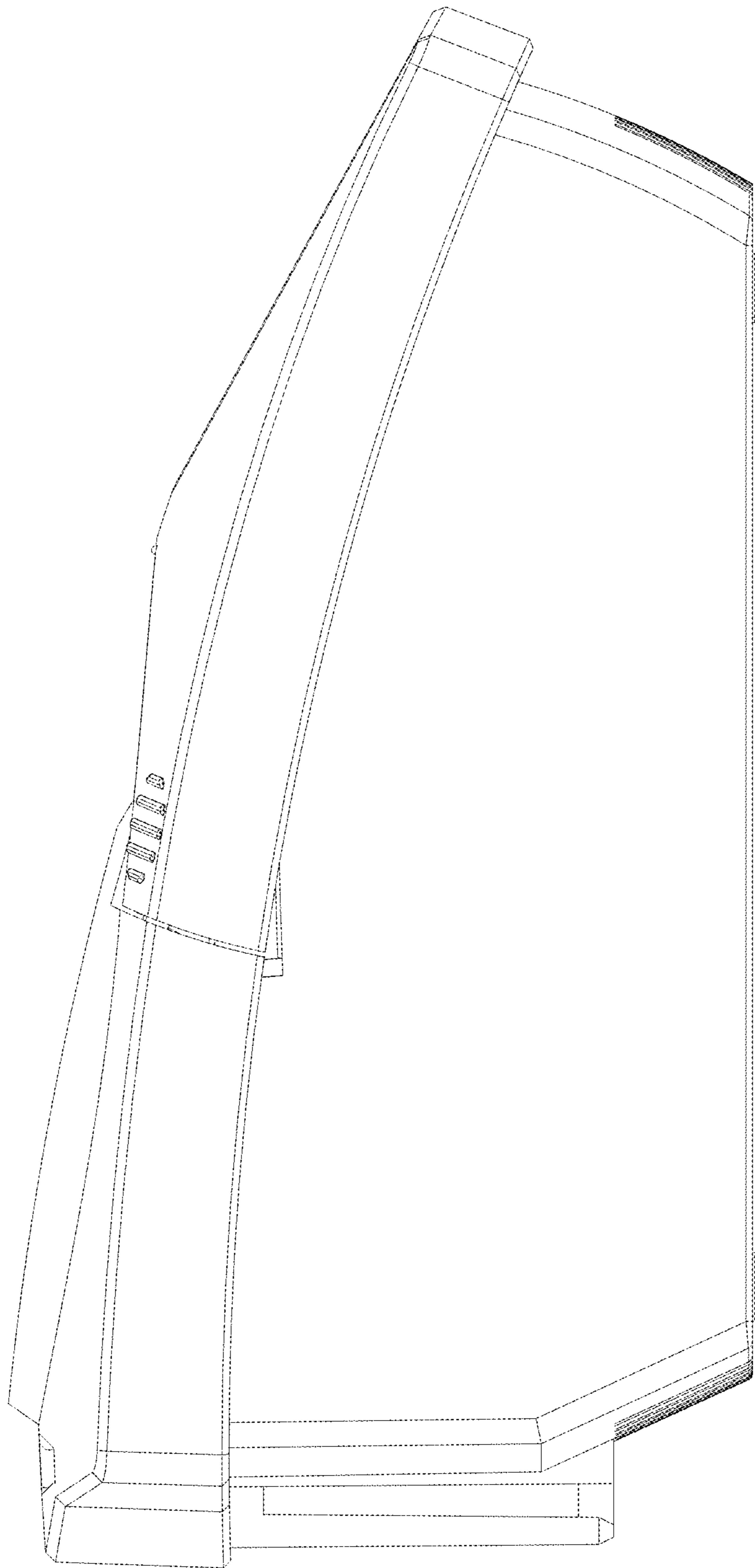




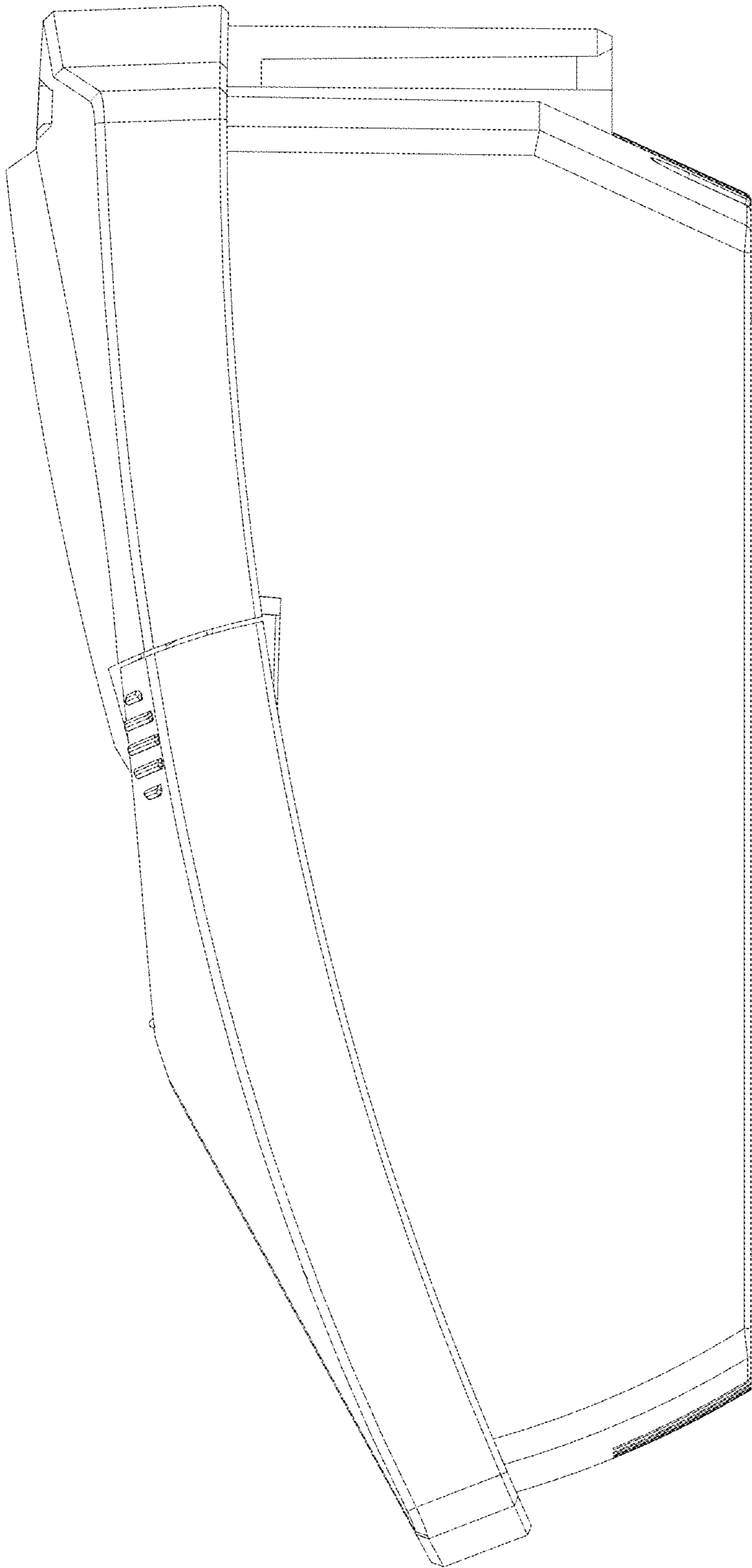
**FIG. 1**



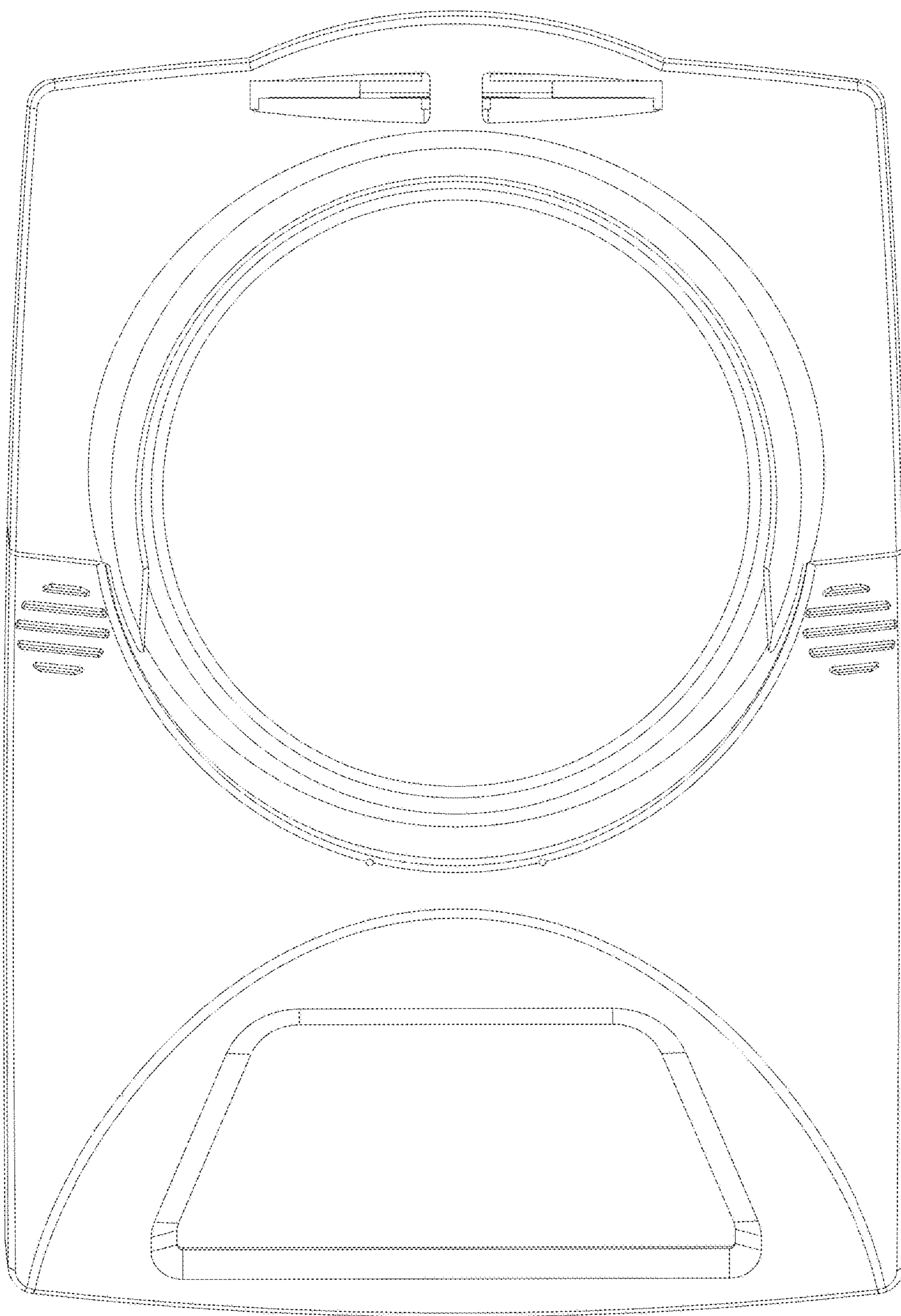
**FIG. 2**



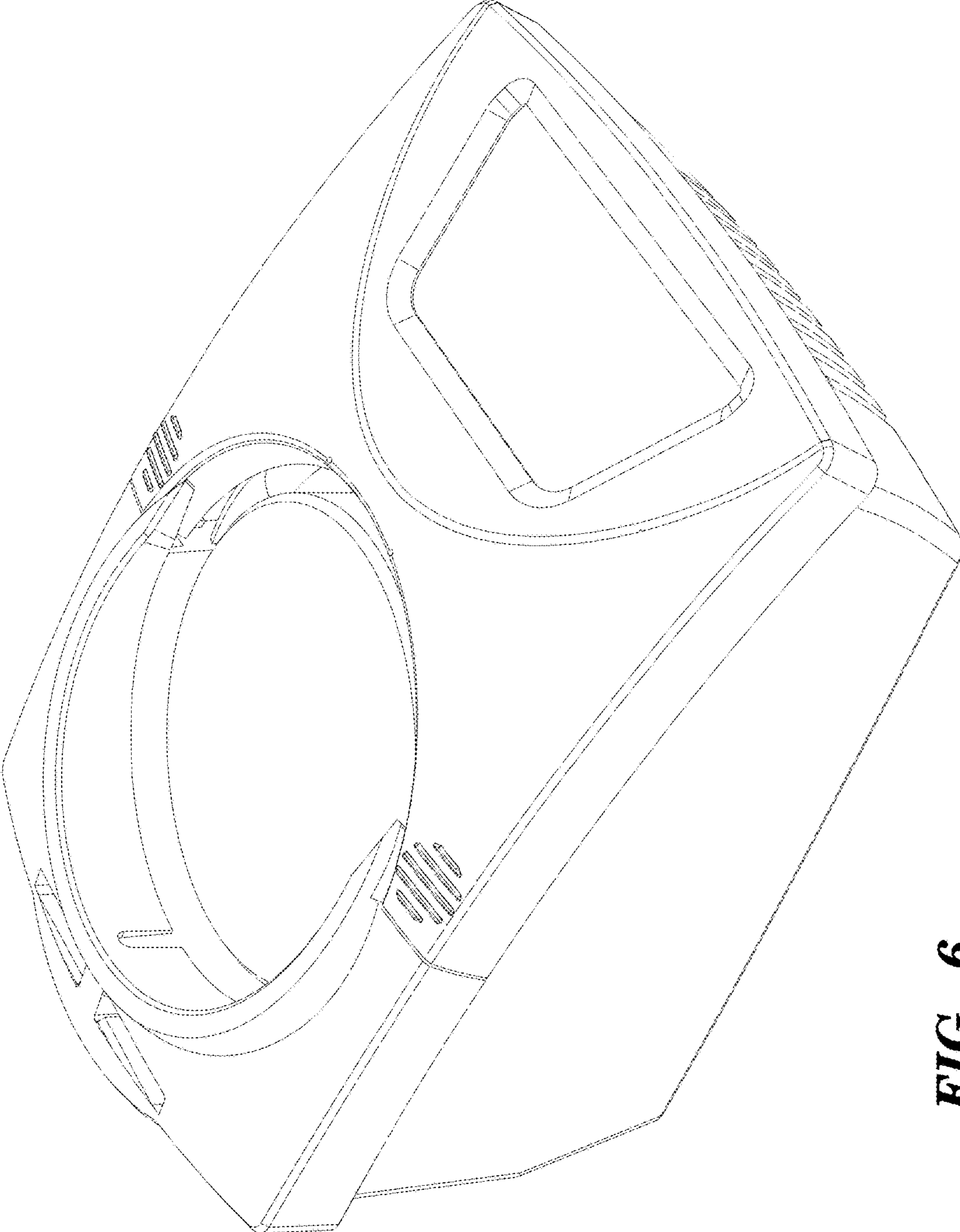
**FIG. 3**



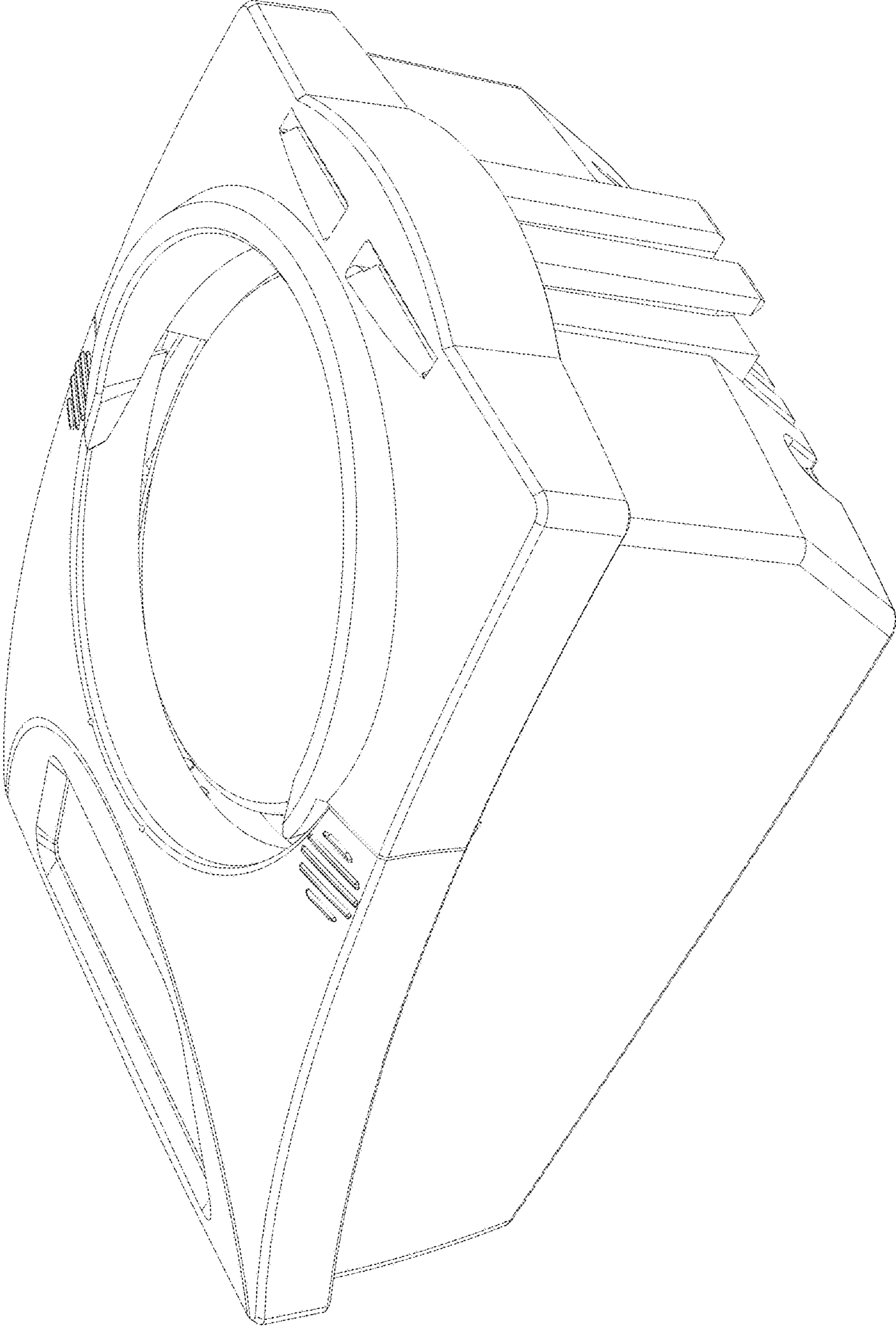
**FIG. 4**



**FIG. 5**



**FIG. 6**



**FIG. 7**