



US00D790678S

(12) **United States Design Patent**
Chang

(10) **Patent No.:** **US D790,678 S**
(45) **Date of Patent:** **** Jun. 27, 2017**

- (54) **INDOOR AIR CONDITIONER**
- (71) Applicant: **Ching-Ko Chang**, Tainan (TW)
- (72) Inventor: **Ching-Ko Chang**, Tainan (TW)
- (**) Term: **14 Years**
- (21) Appl. No.: **29/525,817**
- (22) Filed: **May 4, 2015**
- (51) **LOC (10) Cl.** **23-04**
- (52) **U.S. Cl.**
USPC **D23/351; D23/370**
- (58) **Field of Classification Search**
USPC D23/333, 335, 341, 342, 351, 353, 354,
D23/355, 356, 359, 364, 365, 370, 385,
D23/386, 388, 393
CPC F24F 1/00; F24F 1/0007; F24F 1/02; F24F
1/08; F24F 1/42; F24F 1/56; F24F 1/60;
F24F 3/044; F24F 3/048; F24F 3/16;
F24F 7/00; F24F 7/04; F24F 12/001;
F24F 12/006
See application file for complete search history.

(56) **References Cited**

U.S. PATENT DOCUMENTS

- D728,769 S * 5/2015 Dyson D23/342
- D728,770 S * 5/2015 Dyson D23/342
- D729,372 S * 5/2015 McPherson D23/370
- D729,373 S * 5/2015 Dos Reis D23/370
- D729,374 S * 5/2015 Dos Reis D23/370
- D729,375 S * 5/2015 Dos Reis D23/370

- D729,376 S * 5/2015 McPherson D23/370
- D729,925 S * 5/2015 McPherson D23/370
- D746,425 S * 12/2015 Dyson D23/356
- D749,231 S * 2/2016 Dyson D24/206
- 2013/0028766 A1* 1/2013 Staniforth F04F 5/16
417/423.14
- 2015/0354835 A1* 12/2015 Chang F24F 1/025
62/125

* cited by examiner

Primary Examiner — George D. Kirschbaum

Assistant Examiner — Natasha Vujcic

(74) *Attorney, Agent, or Firm* — Rosenberg, Klein & Lee

(57) **CLAIM**

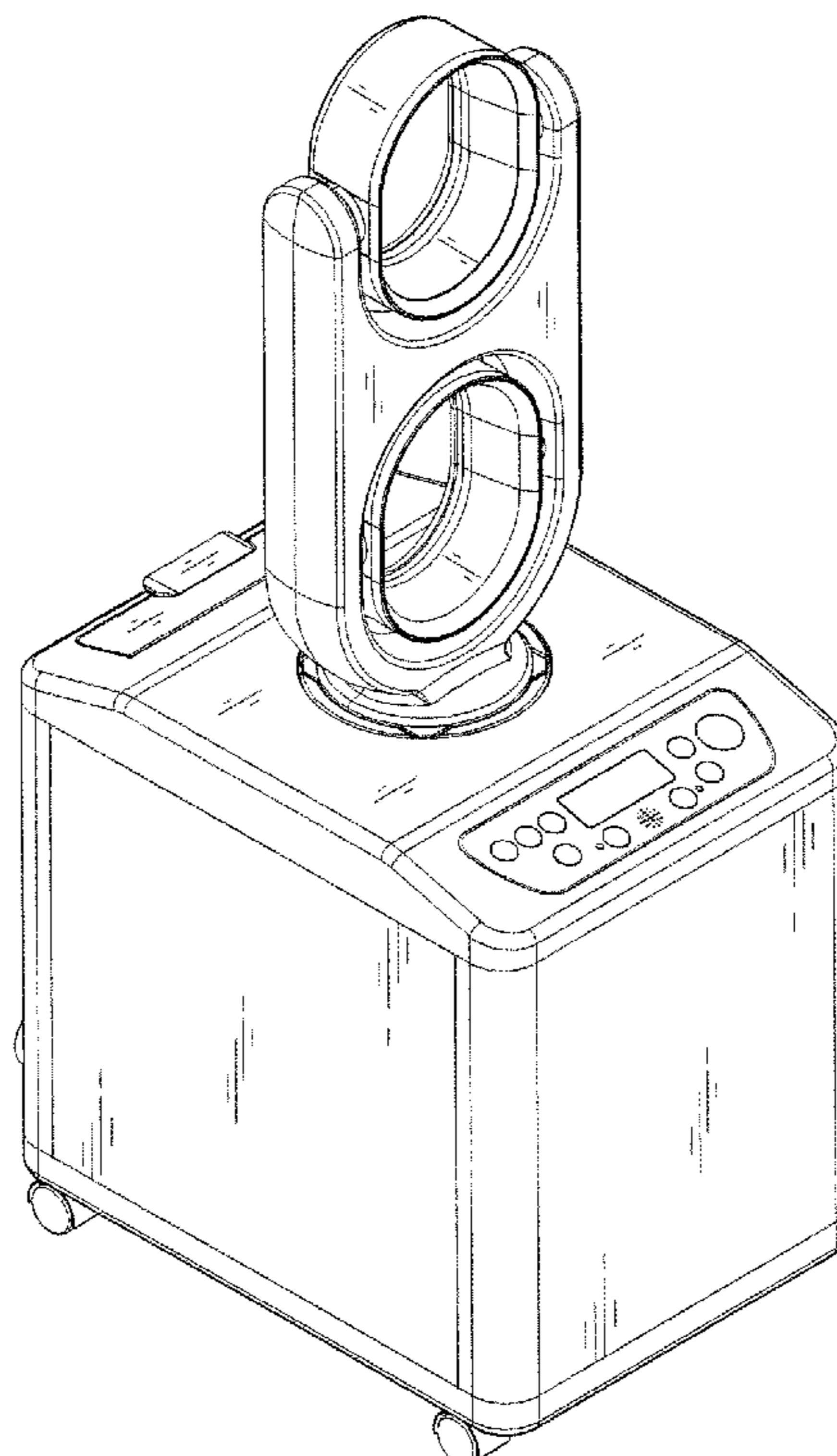
The ornamental design for an indoor air conditioner, as shown and described.

DESCRIPTION

FIG. 1 is a perspective view of an indoor air conditioner showing my new design;
 FIG. 2 is another perspective view of an indoor air conditioner thereof from a different angle of view;
 FIG. 3 is a front elevation view thereof;
 FIG. 4 is a rear elevation view thereof;
 FIG. 5 is a left side elevation view thereof;
 FIG. 6 is a right side elevation view thereof;
 FIG. 7 is a top plan view thereof; and,
 FIG. 8 is a bottom plan view thereof.

The broken lines in the drawings illustrate portions of the indoor air conditioner and form no part of the claimed design.

1 Claim, 7 Drawing Sheets



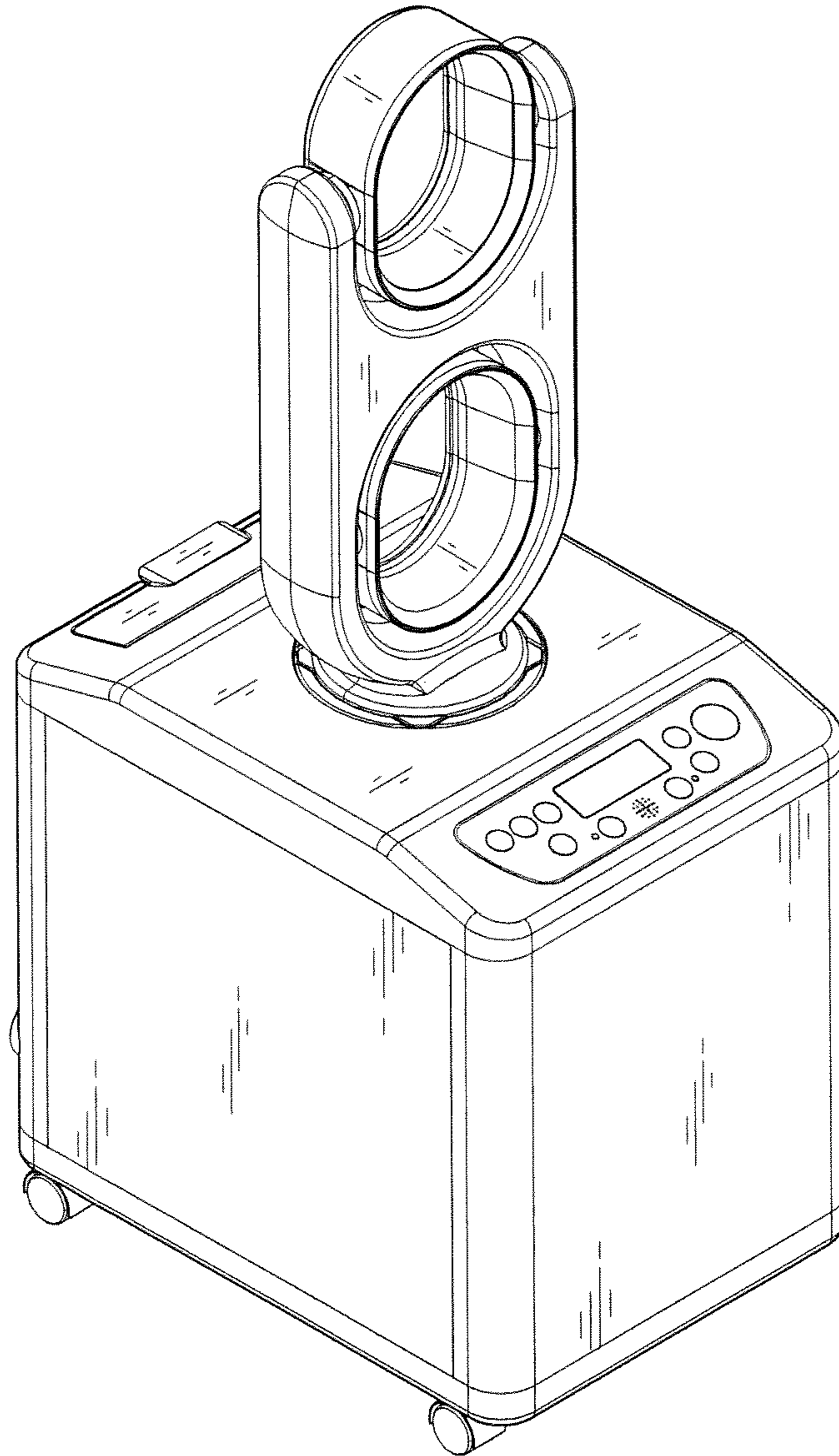


FIG.1

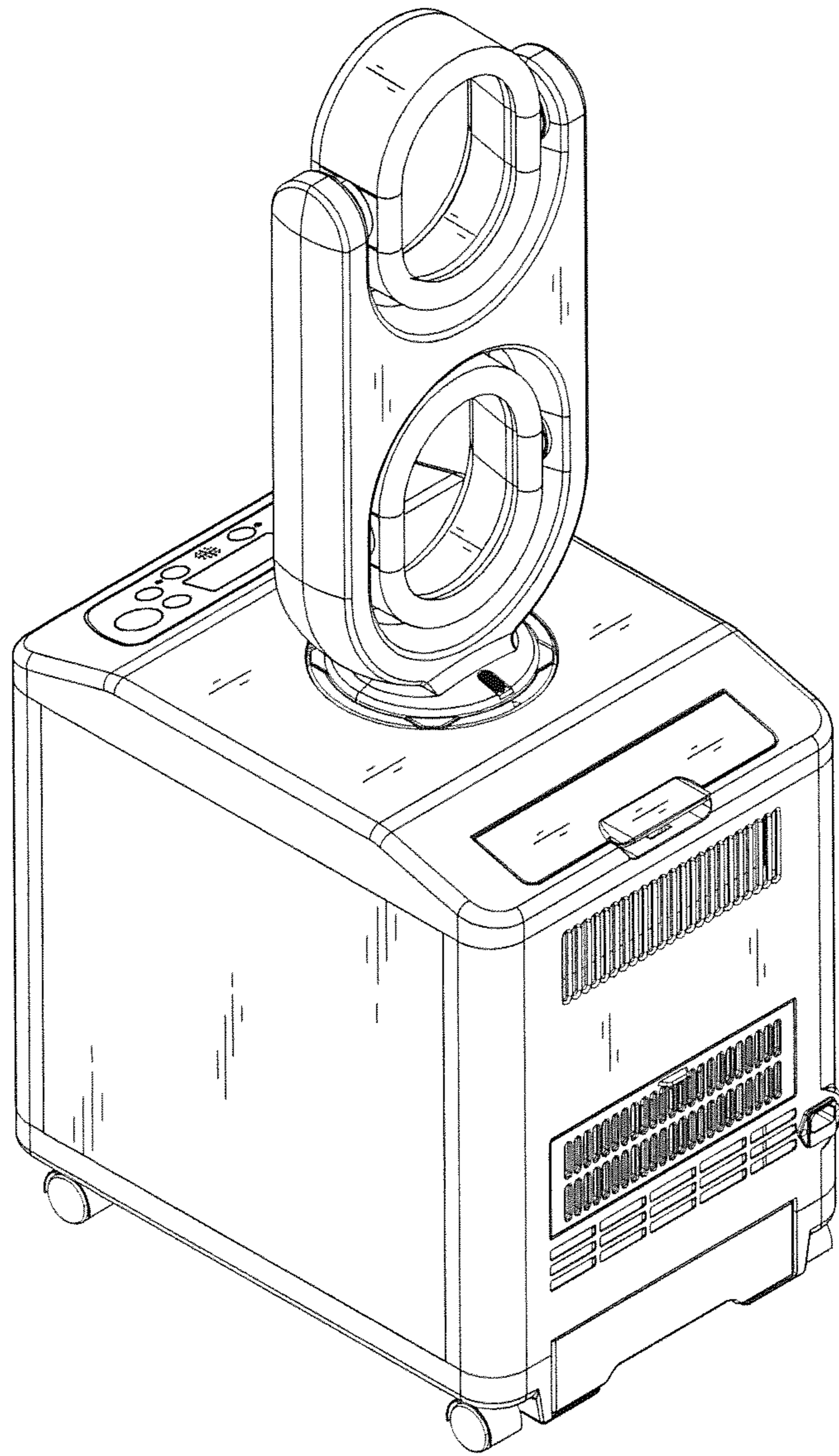


FIG.2

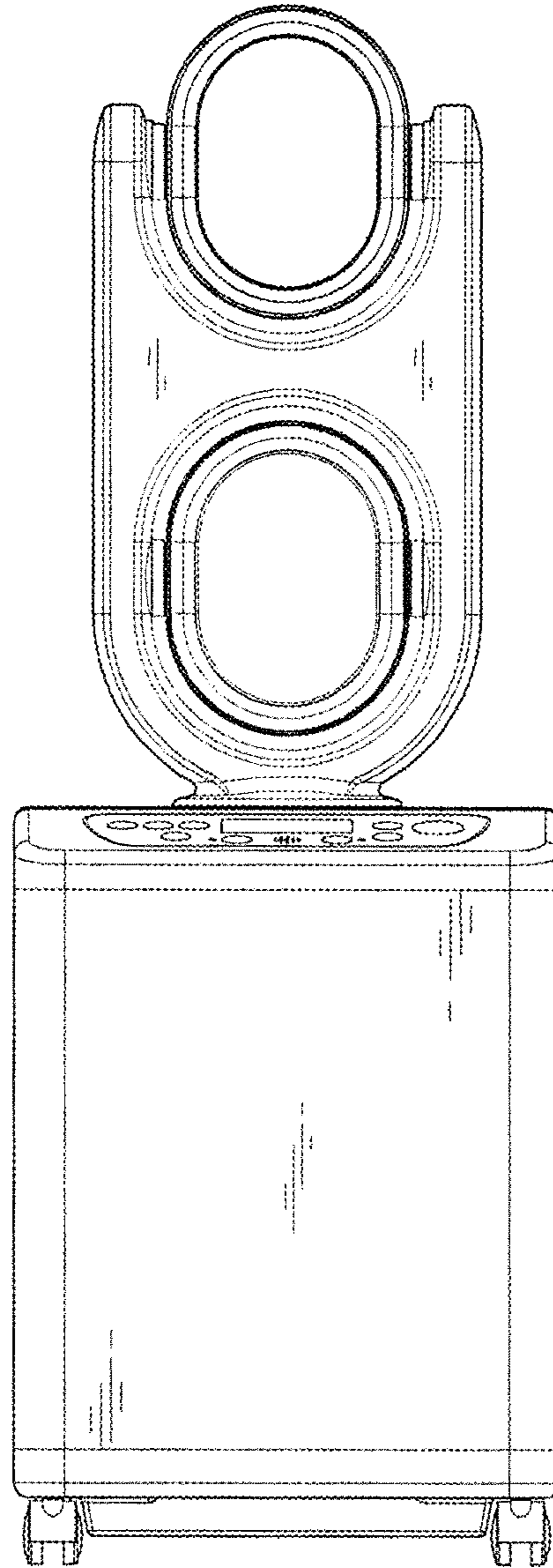


FIG.3

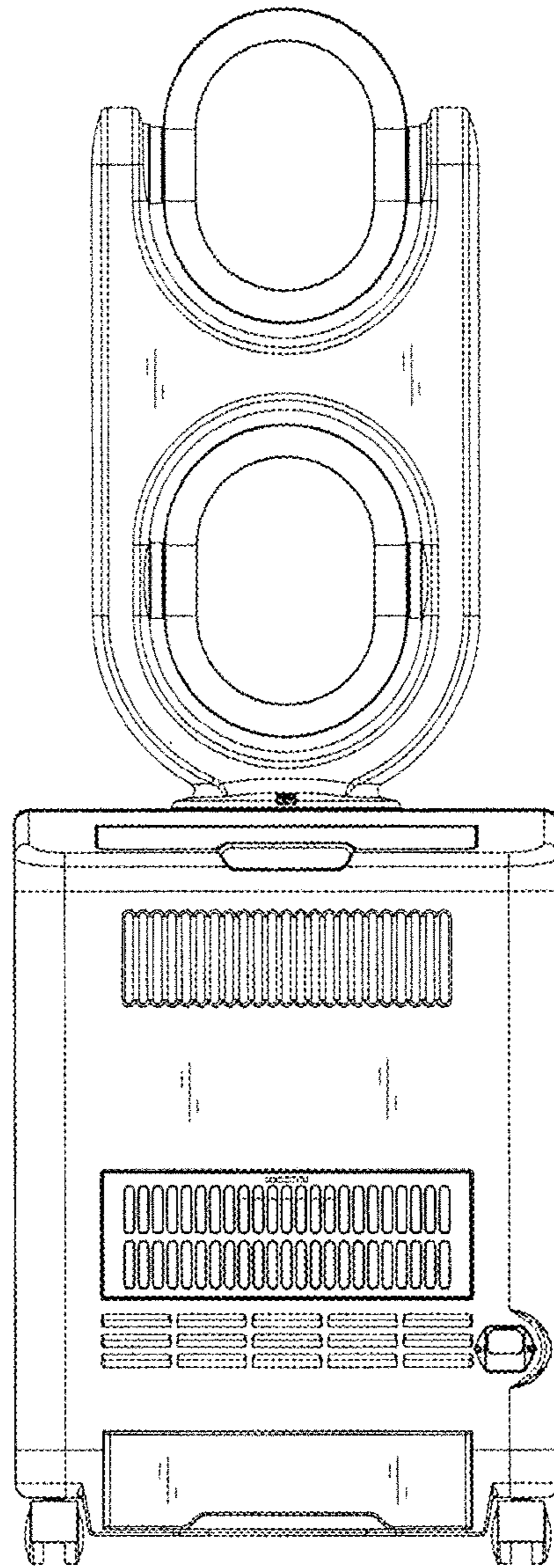


FIG.4

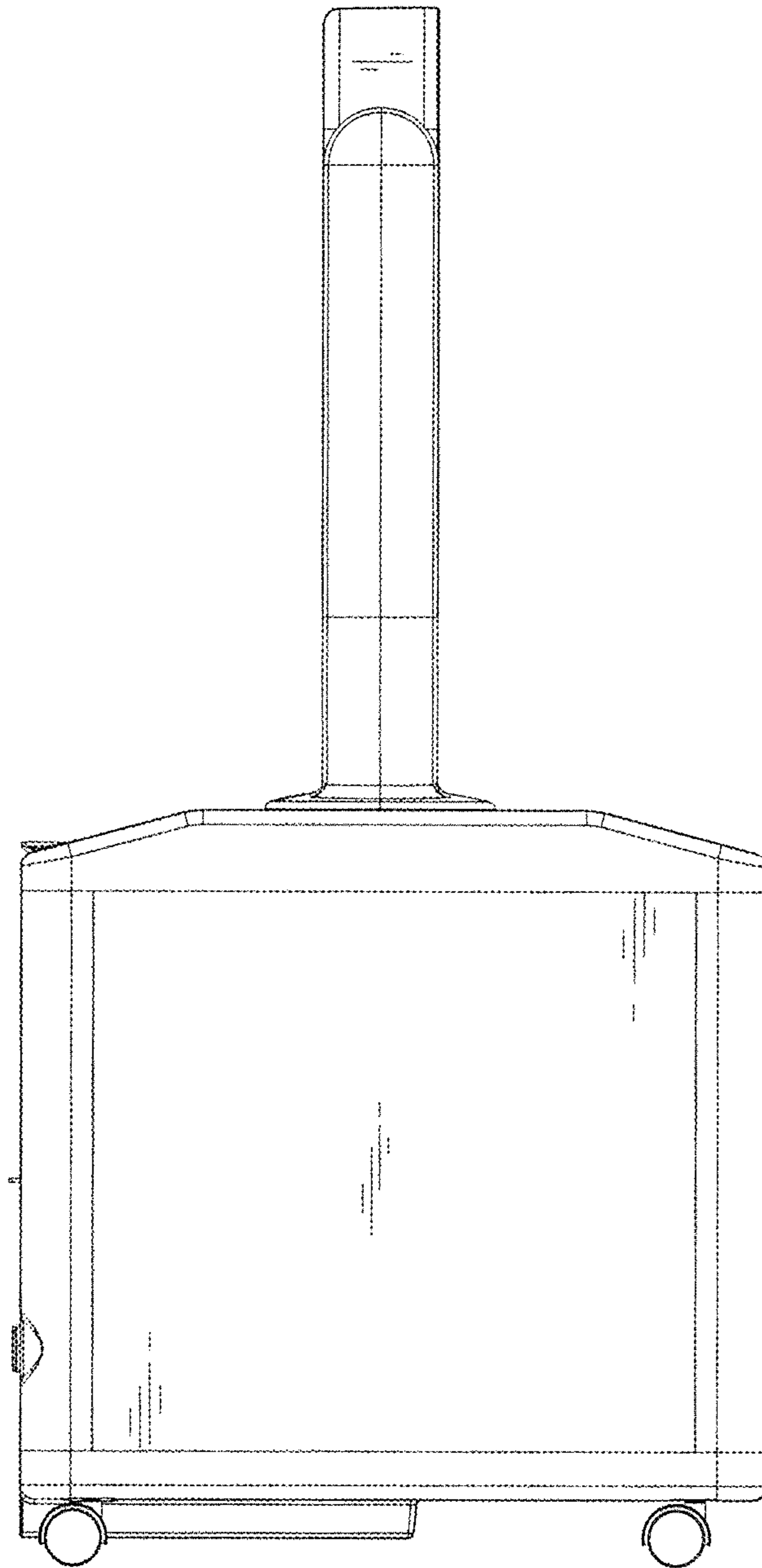


FIG.5

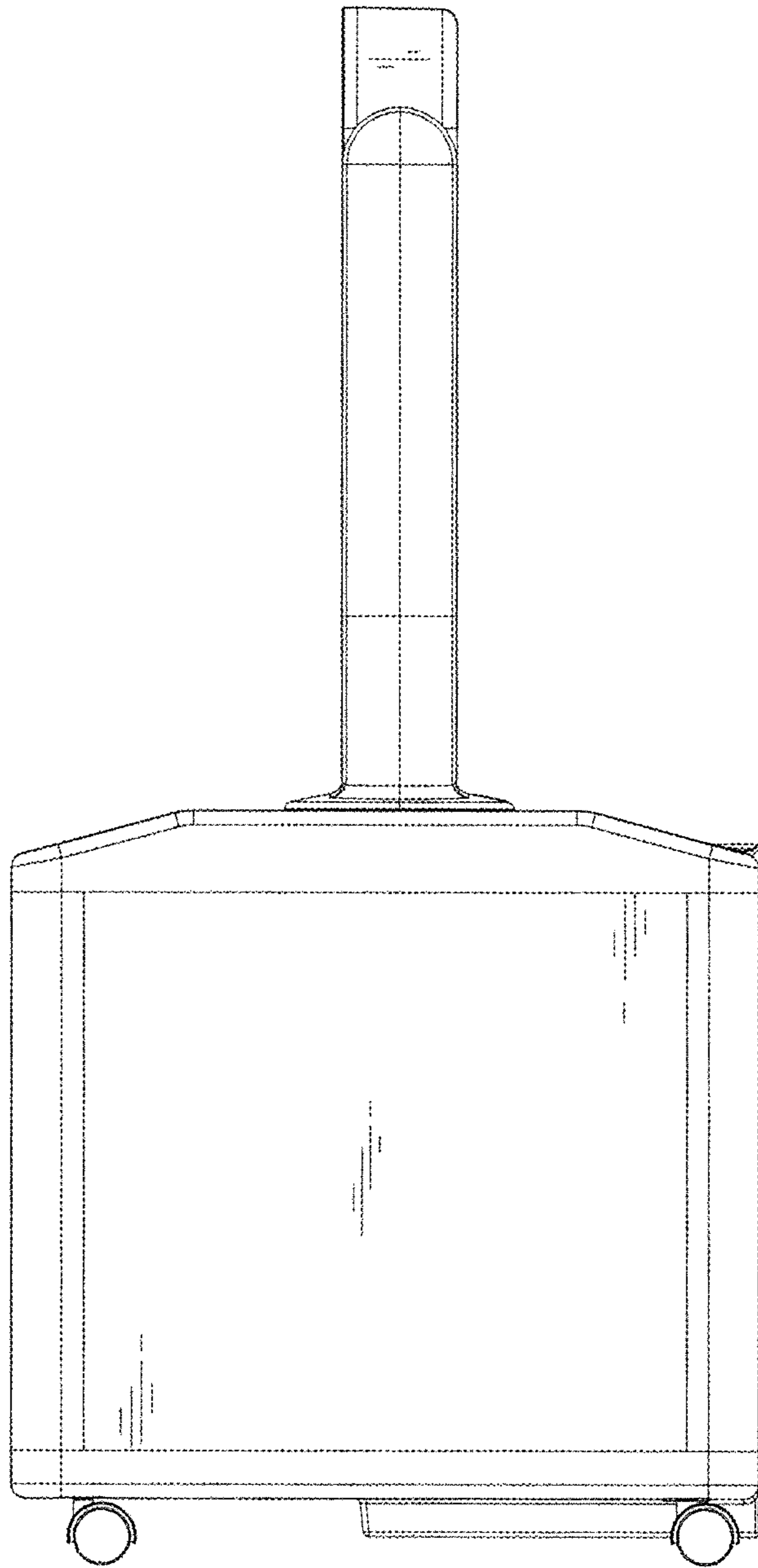


FIG.6

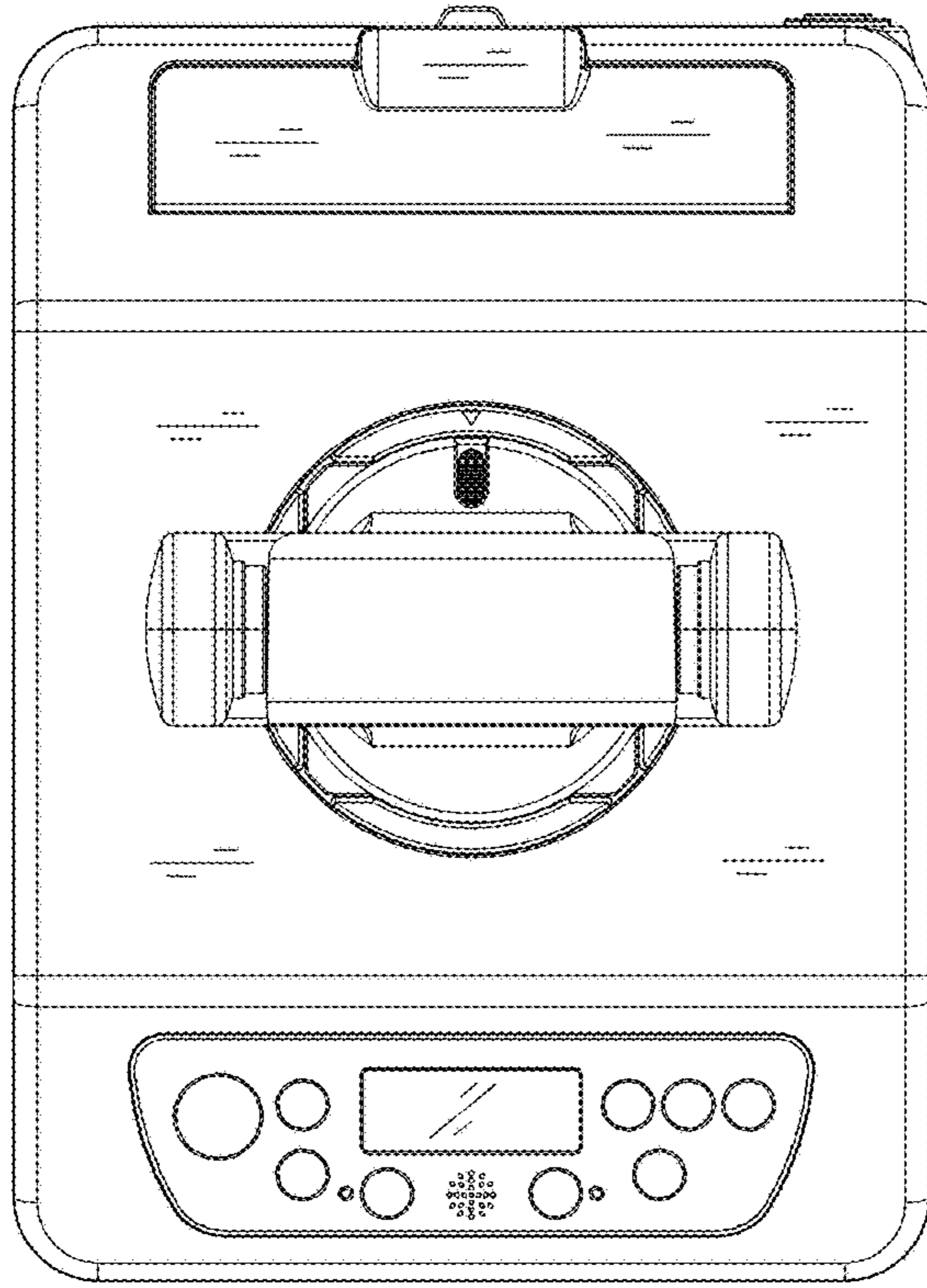


FIG.7

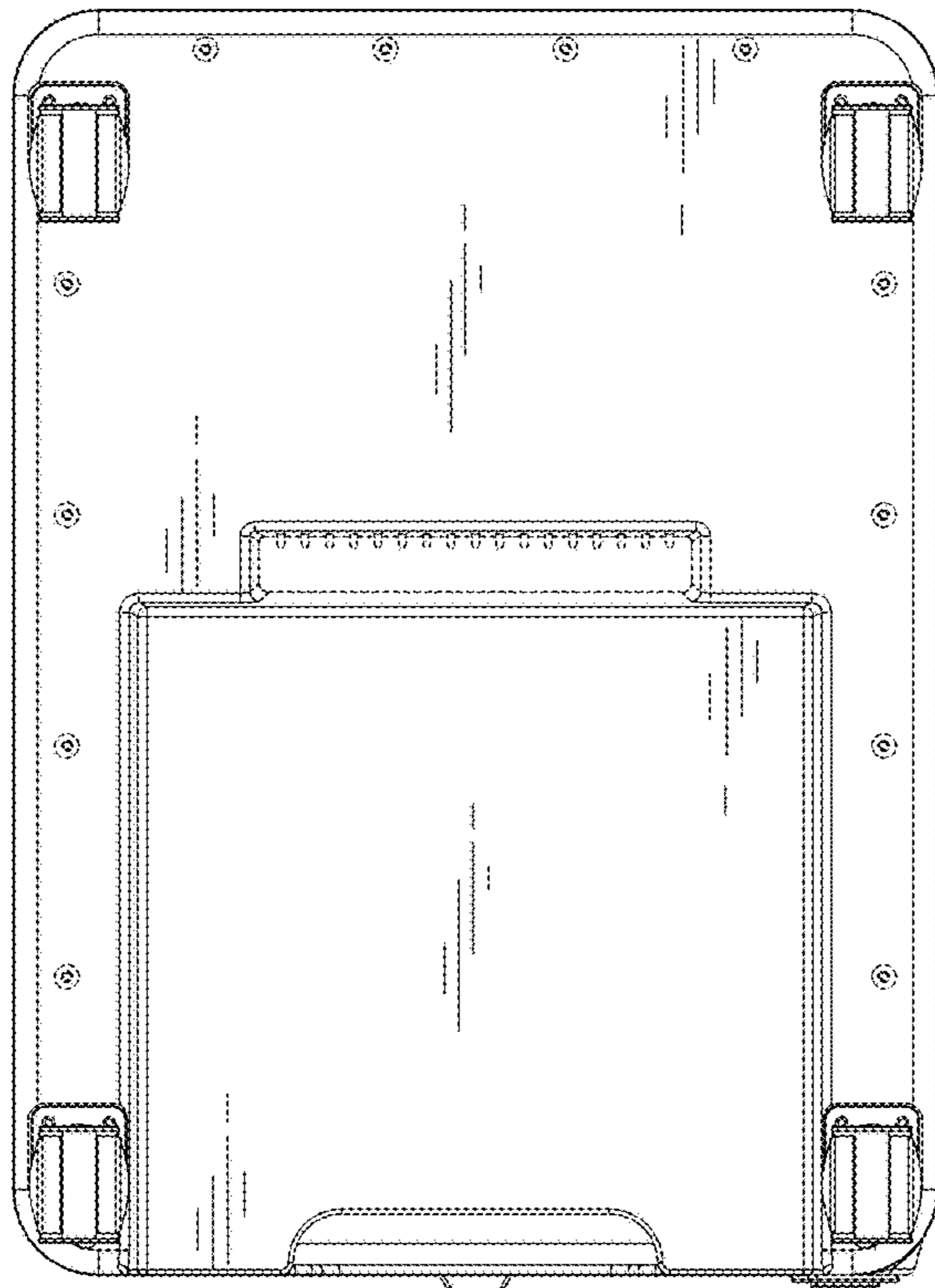


FIG.8