



US00D790677S

(12) **United States Design Patent**
Horsfield

(10) **Patent No.:** **US D790,677 S**

(45) **Date of Patent:** **** Jun. 27, 2017**

(54) **FIRE PIT WITH HEIGHT-ADJUSTABLE LEGS**

D780,896 S * 3/2017 Weng D23/332
D780,897 S * 3/2017 Weng D23/332
2016/0123598 A1* 5/2016 Baccarella F24B 1/181
126/144

(71) Applicant: **Global Outdoors, Inc.**, Narragansett, RI (US)

* cited by examiner

(72) Inventor: **Michael Robert Horsfield**, Wakefield, RI (US)

Primary Examiner — T. Chase Nelson

Assistant Examiner — Ania Aman

(73) Assignee: **GLOBAL OUTDOORS, INC.**, Narragansett, RI (US)

(74) *Attorney, Agent, or Firm* — One3 IP Management, P.C.; Justin G. Sanders; Peter D. Weinstein

(**) Term: **15 Years**

(21) Appl. No.: **29/573,110**

(57) **CLAIM**

(22) Filed: **Aug. 2, 2016**

The ornamental design for a fire pit with height-adjustable legs, as shown and described.

(51) **LOC (10) Cl.** **23-03**

(52) **U.S. Cl.**
USPC **D23/343**

(58) **Field of Classification Search**
USPC D23/332, 314, 343, 348, 350, 346;
D7/332–337, 402–405, 352
CPC F24C 1/16; F24C 5/00; A47J 33/00; A47J 37/0763; A47J 37/07; F24B 1/18; F24B 1/182; F24B 1/1808; F24B 1/181; F24B 1/195; F24B 1/191
See application file for complete search history.

DESCRIPTION

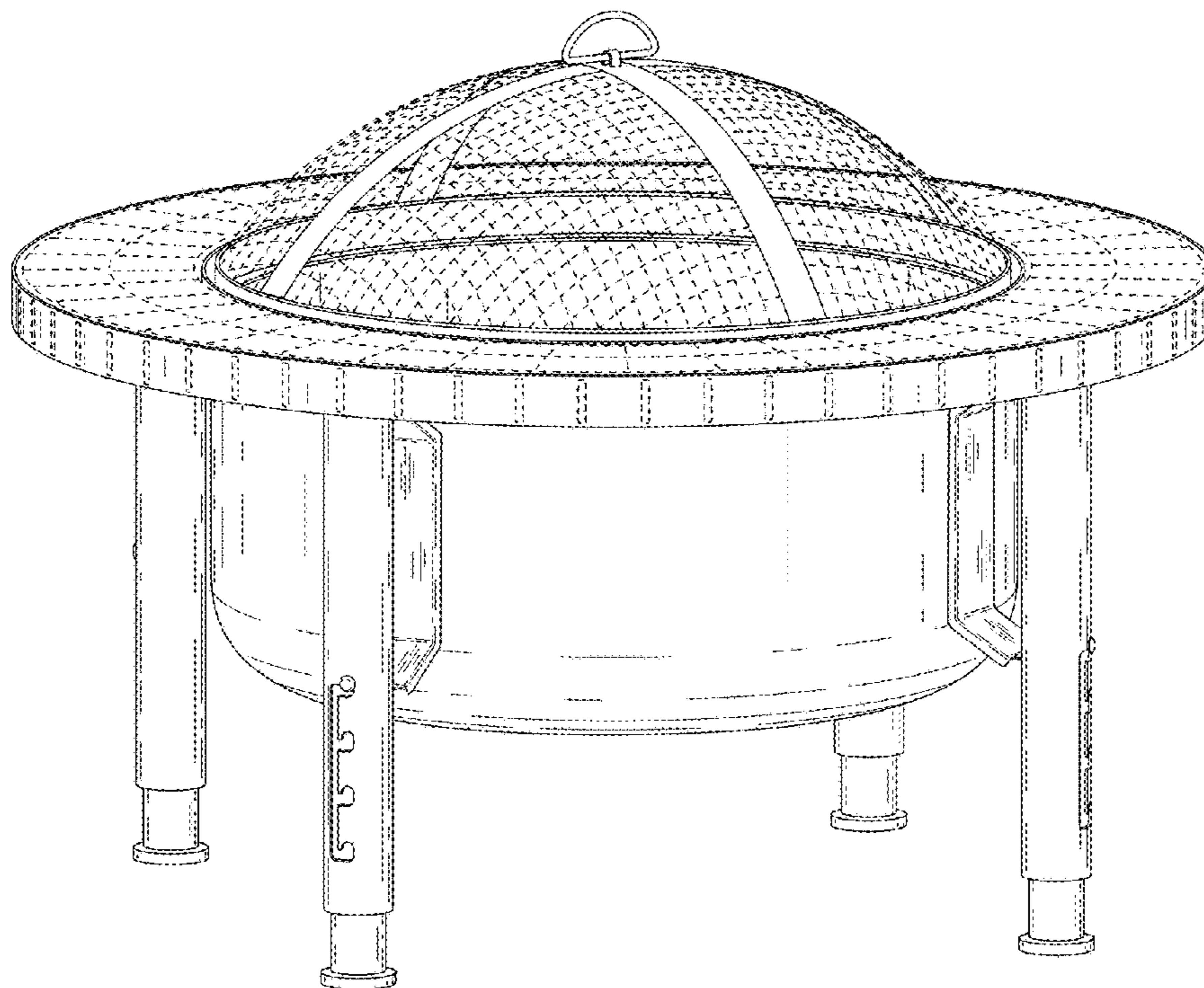
FIG. 1 is a perspective view of my new fire pit with height-adjustable legs design;
FIG. 2 is a front view thereof, the rear view being identical thereto;
FIG. 3 is a side view thereof;
FIG. 4 is a top view thereof;
FIG. 5 is a bottom view thereof; and,
FIG. 6 is a partially exploded view thereof.
In the drawings, the broken lines depict environmental subject matter only that forms no part of the claimed design.

(56) **References Cited**

U.S. PATENT DOCUMENTS

D633,995 S * 3/2011 Chiang D23/332
D765,231 S * 8/2016 Horsfield D23/343

1 Claim, 6 Drawing Sheets



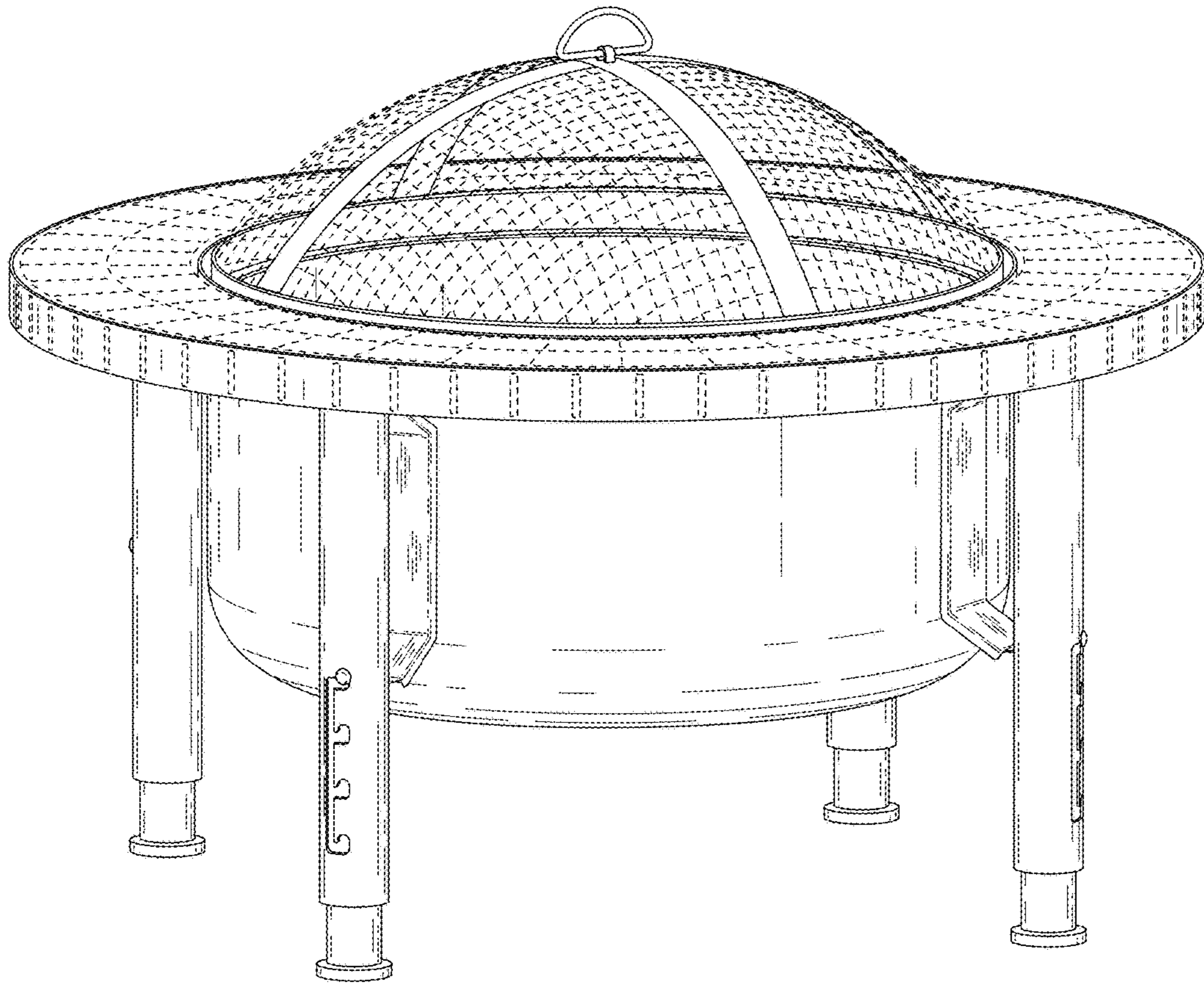


Fig. 1

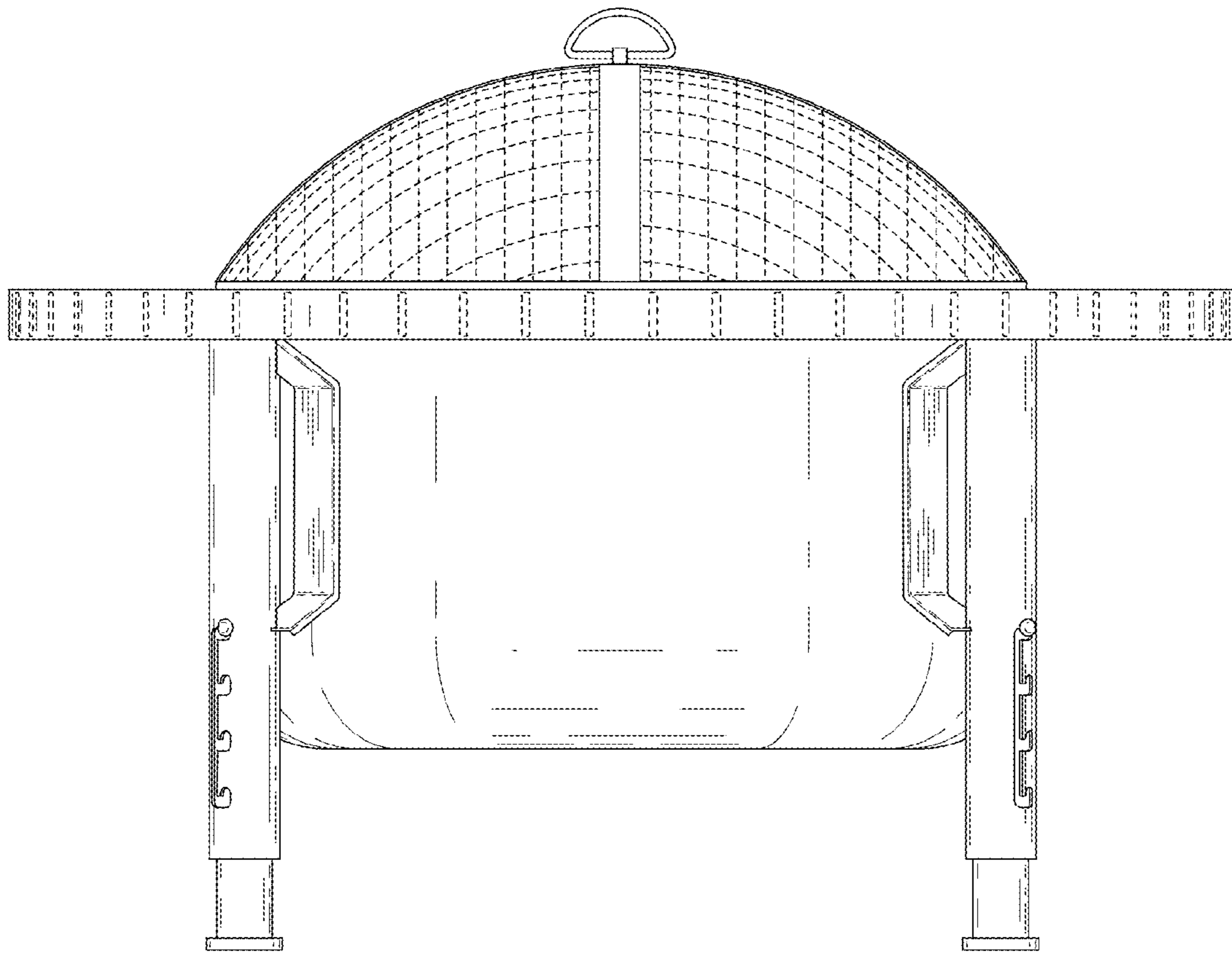


Fig. 2

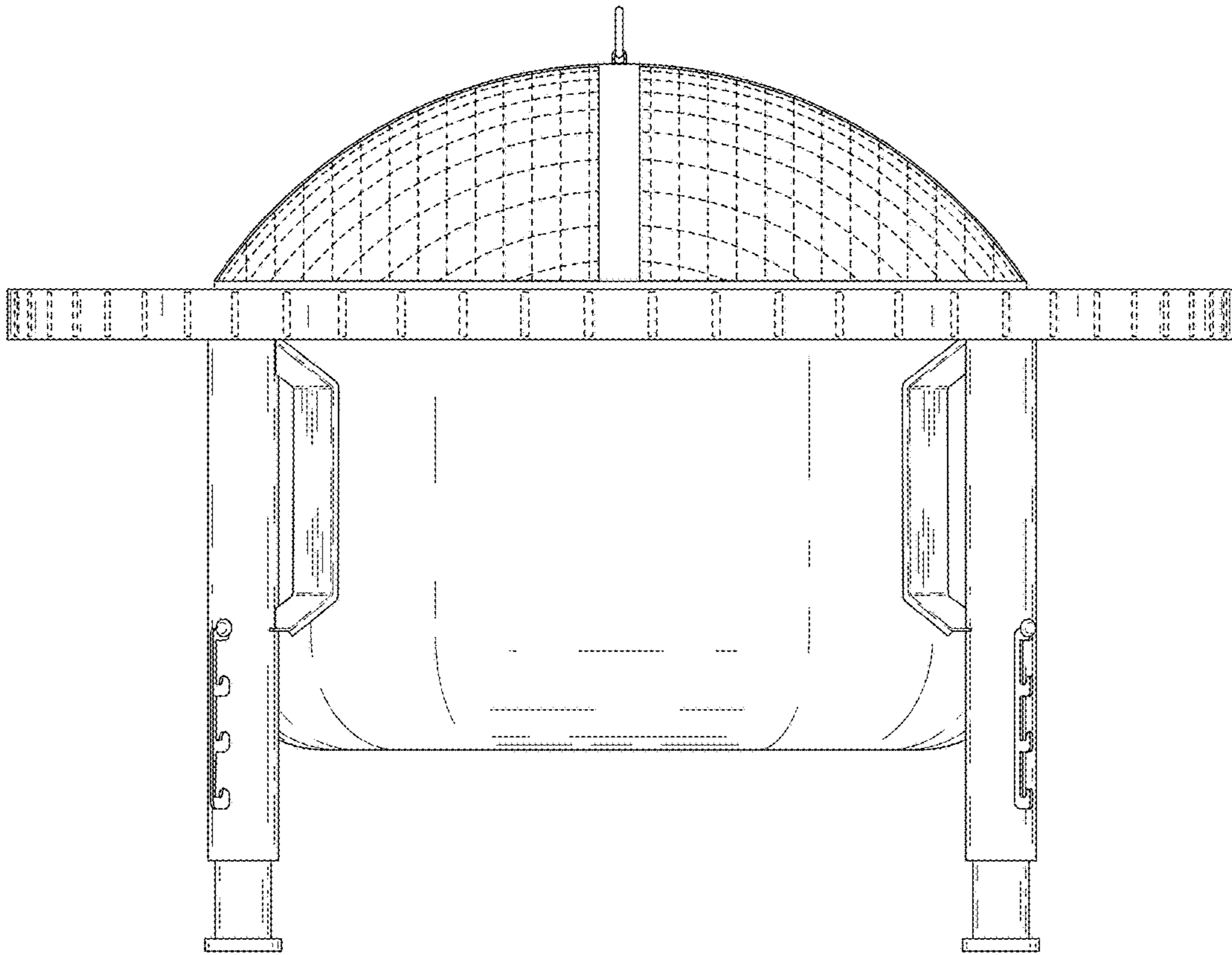


Fig. 3

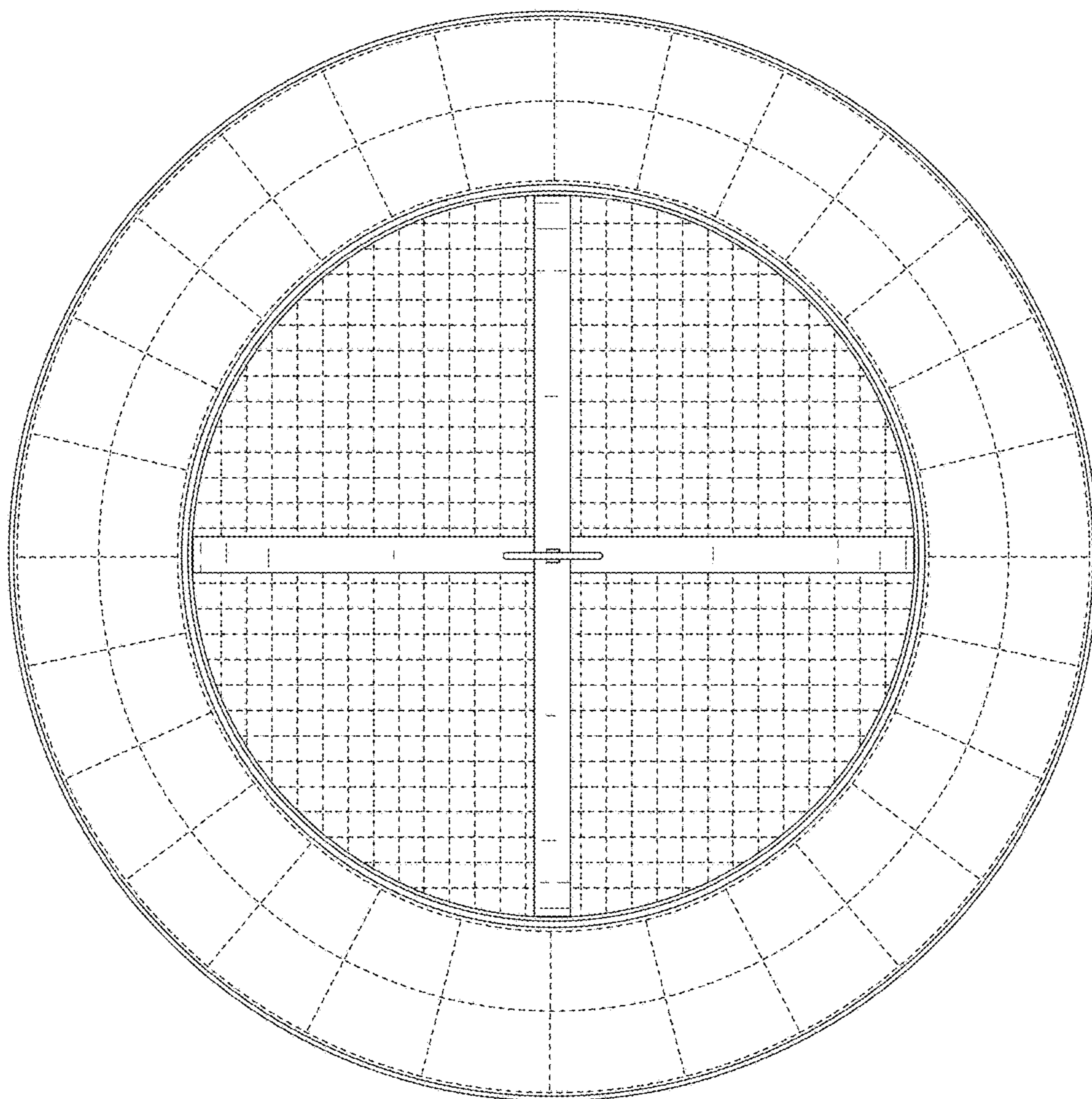


Fig. 4

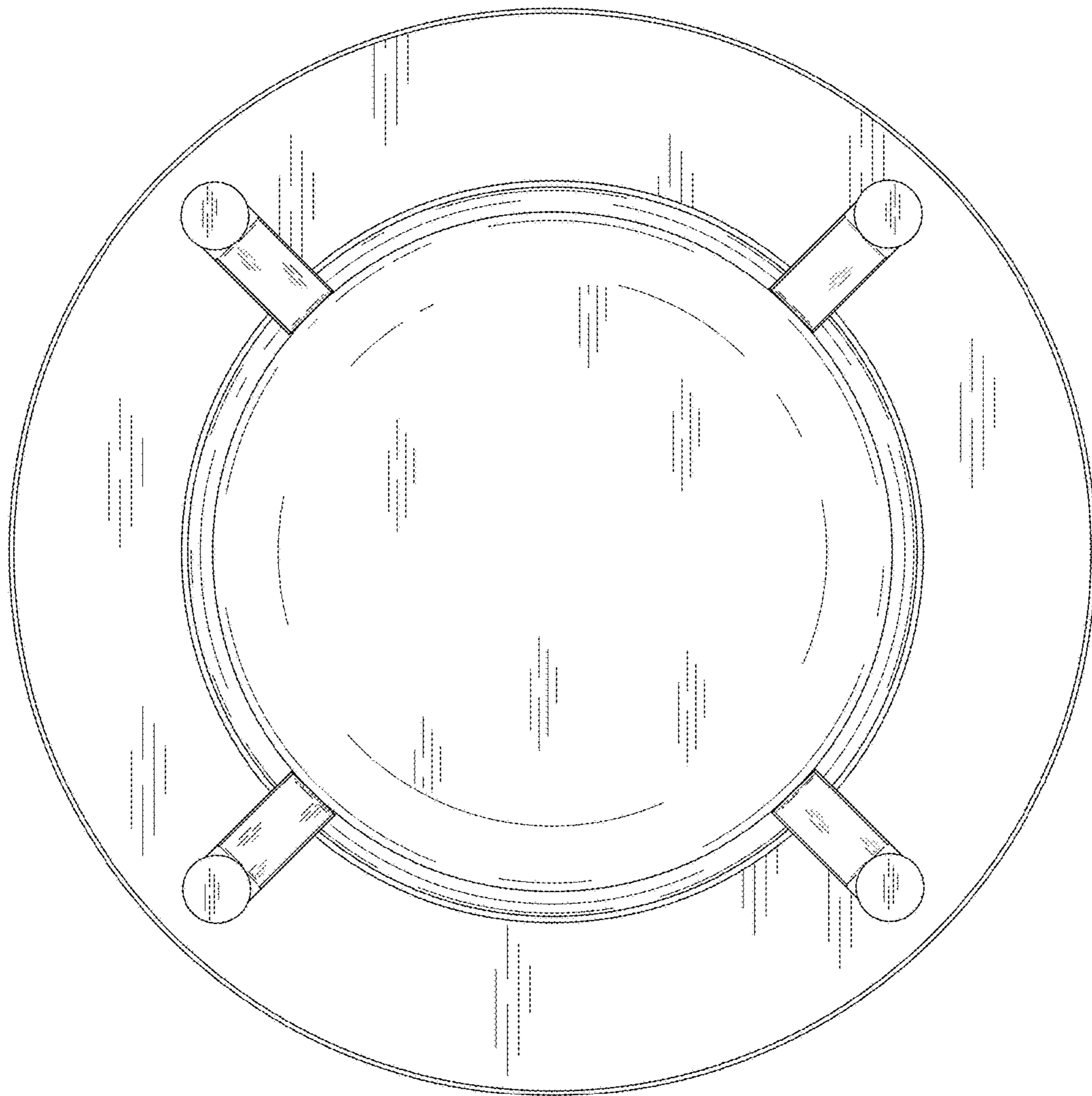


Fig. 5

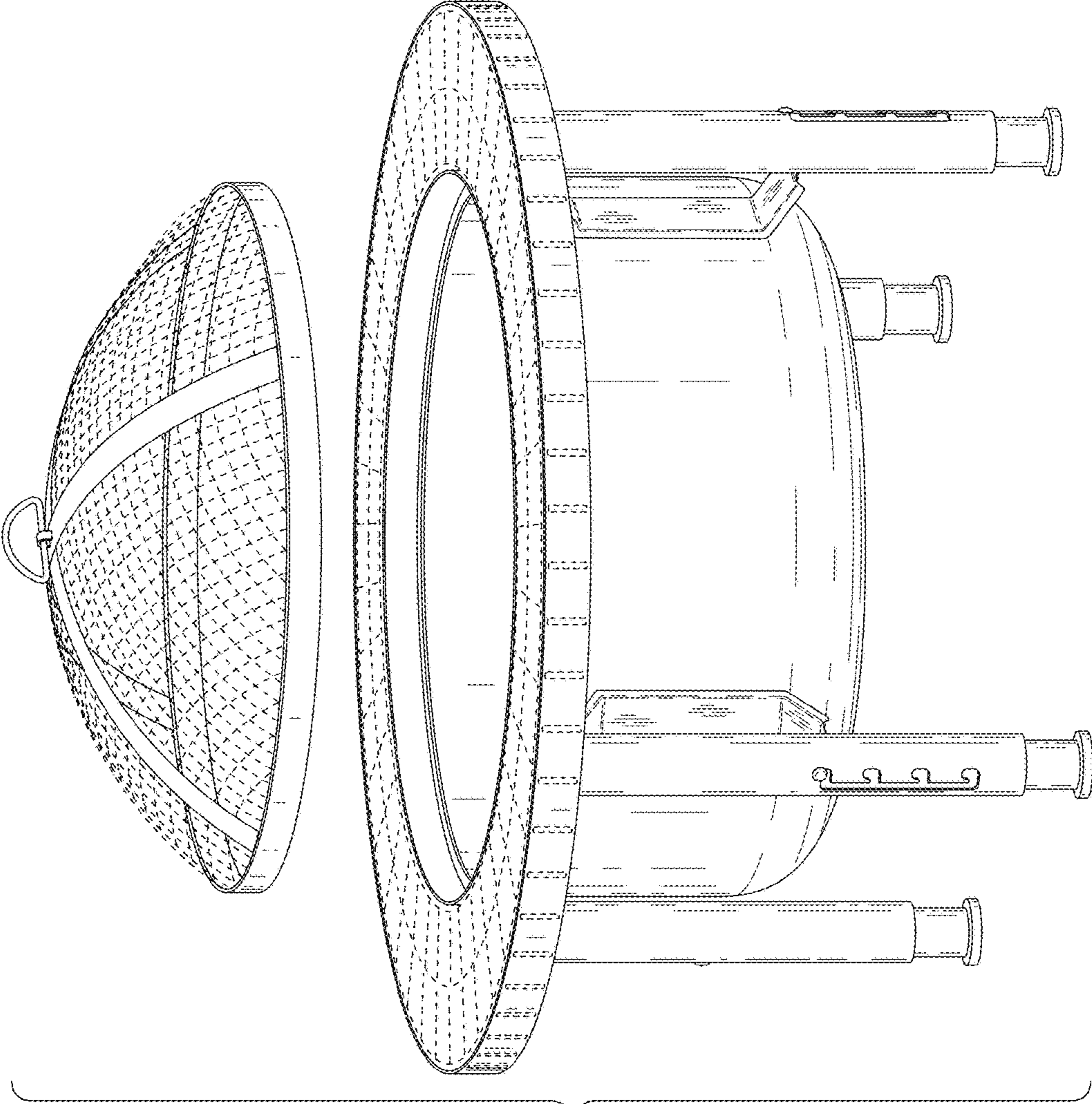


Fig. 6