

US00D790675S

(12) **United States Design Patent**
Baker

(10) **Patent No.:** **US D790,675 S**

(45) **Date of Patent:** **** Jun. 27, 2017**

(54) **TOILET SEAT WITH HANDLE**

(71) Applicant: **Robert Baker**, New Cumberland, PA
(US)

(72) Inventor: **Robert Baker**, New Cumberland, PA
(US)

(**) Term: **15 Years**

(21) Appl. No.: **29/567,178**

(22) Filed: **Jun. 6, 2016**

(51) **LOC (10) Cl.** **23-02**

(52) **U.S. Cl.**
USPC **D23/311**

(58) **Field of Classification Search**
USPC D23/311, 309, 303; D8/307
CPC A47K 13/00; A47K 13/005; A47K 13/02;
A47K 13/06
See application file for complete search history.

(56) **References Cited**

U.S. PATENT DOCUMENTS

5,765,236	A	6/1998	Bethanis	
D423,655	S *	4/2000	Otte	D23/311
D435,638	S *	12/2000	Merry	D23/311
D451,177	S *	11/2001	Scholpp	D23/311
6,449,780	B1 *	9/2002	Merry	A47K 13/06 4/235
D471,966	S *	3/2003	Hatakenaka	D23/311
6,842,916	B1	1/2005	Gunn et al.	

D594,537	S *	6/2009	Driedger	D23/311
D706,402	S *	6/2014	Yeung	D23/311
2004/0107486	A1	6/2004	Yoo	
2005/0262623	A1	12/2005	Holloway et al.	

* cited by examiner

Primary Examiner — Robert Delehanty

(74) *Attorney, Agent, or Firm* — Cheryl R. Figlin, Esq.;
Michael J. Feigin, Esq.; Feigin & Fridman

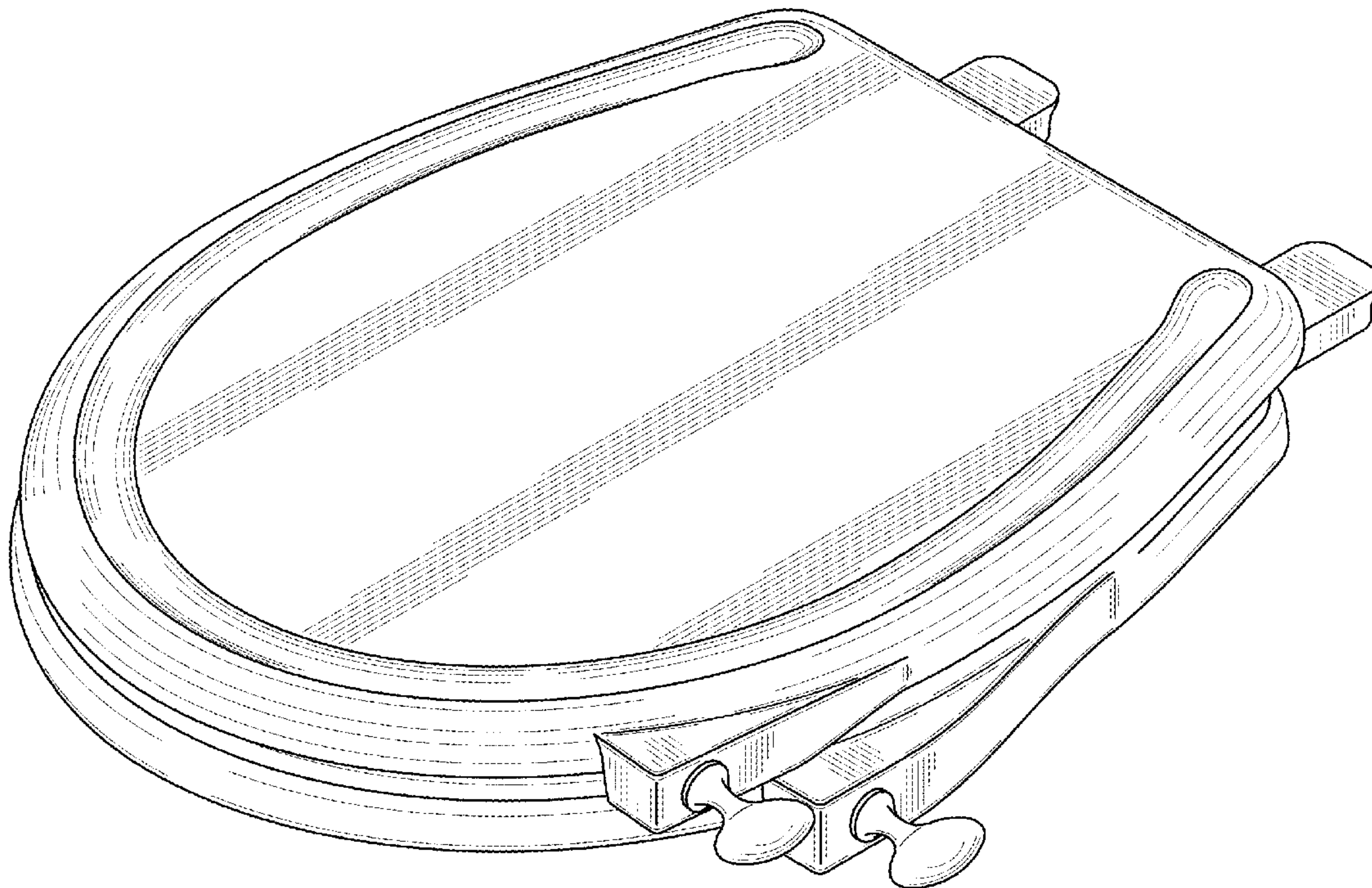
(57) **CLAIM**

The ornamental design for a toilet seat with handle, as shown and described.

DESCRIPTION

FIG. 1 shows a top perspective view of the toilet seat with handle in a closed position.
 FIG. 2 shows a top plain view of the toilet seat with handle in a closed position.
 FIG. 3 shows a bottom plain view of the toilet seat with handle in a closed position.
 FIG. 4 shows a left side plain view of the toilet seat with handle in a closed position.
 FIG. 5 shows a right side plain view of the toilet seat with handle in a closed position.
 FIG. 6 shows a front plain view of the toilet seat with handle in a closed position.
 FIG. 7 is a back plain view of the toilet seat with handle in a closed position; and,
 FIG. 8 is a top perspective view of the toilet seat with handle in an open position.

1 Claim, 6 Drawing Sheets



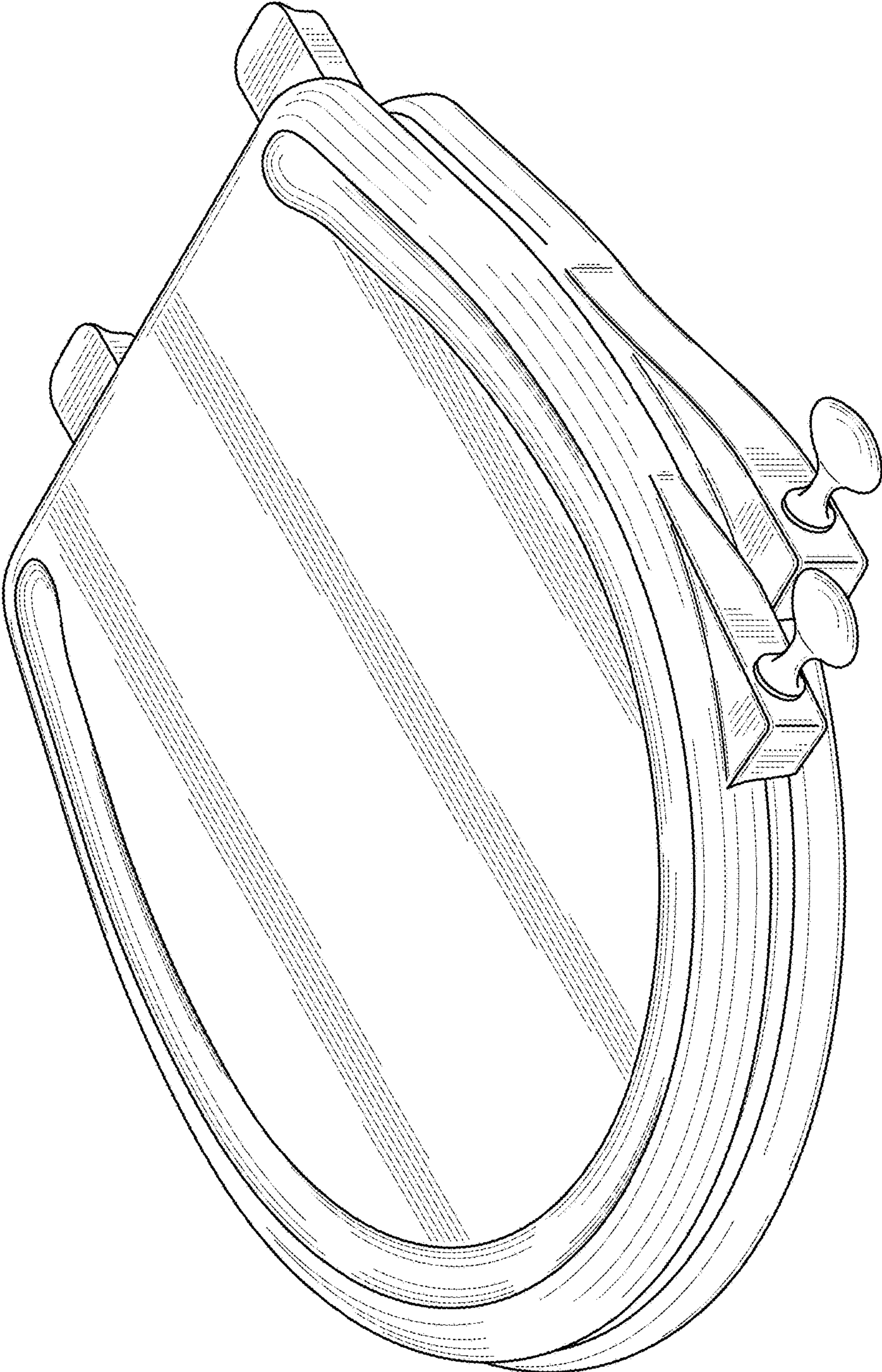


FIG. 1

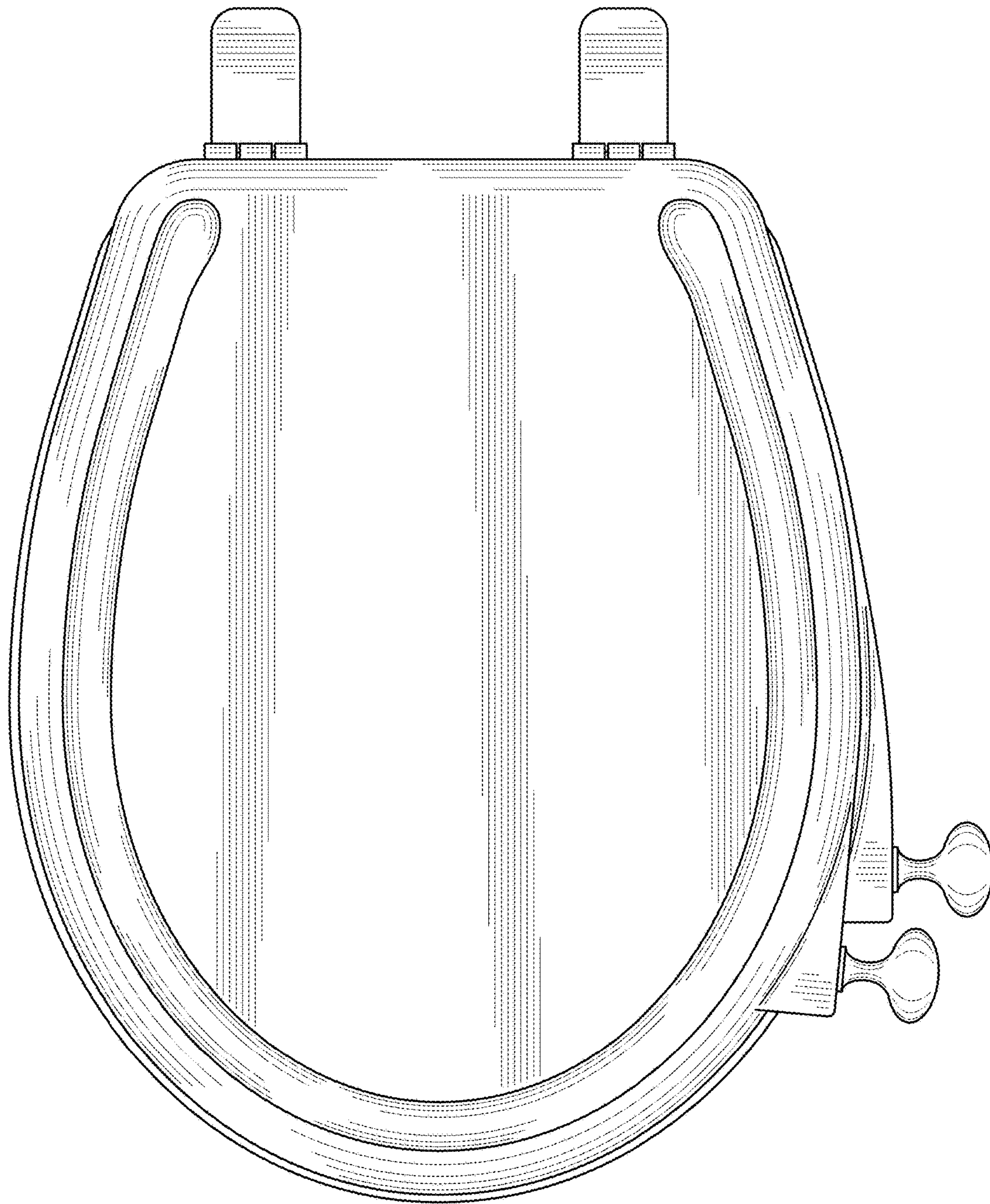


FIG. 2

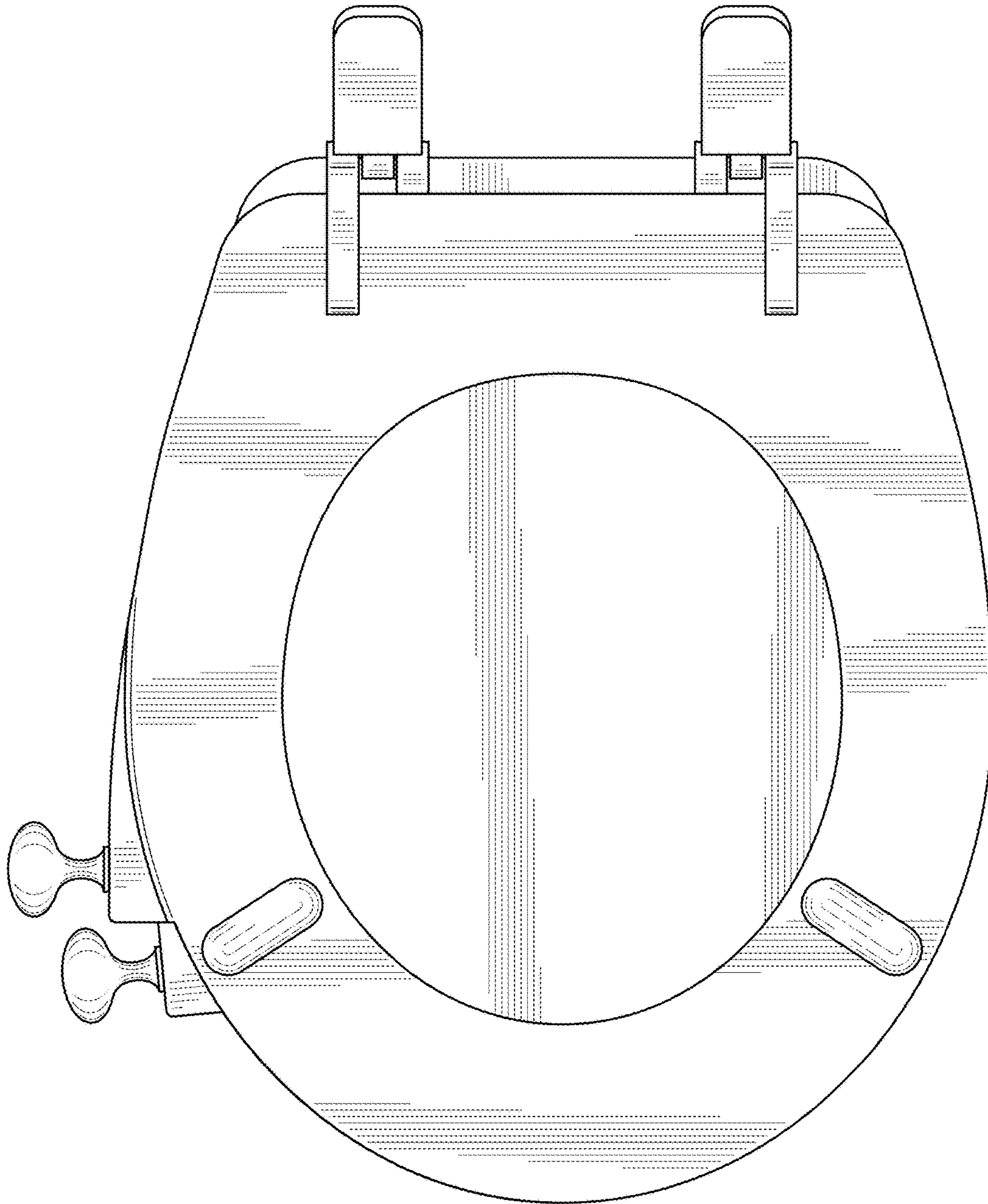


FIG. 3

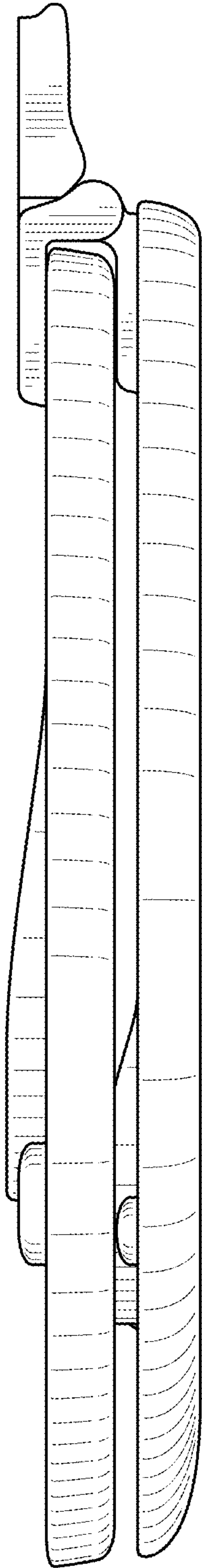


FIG. 4

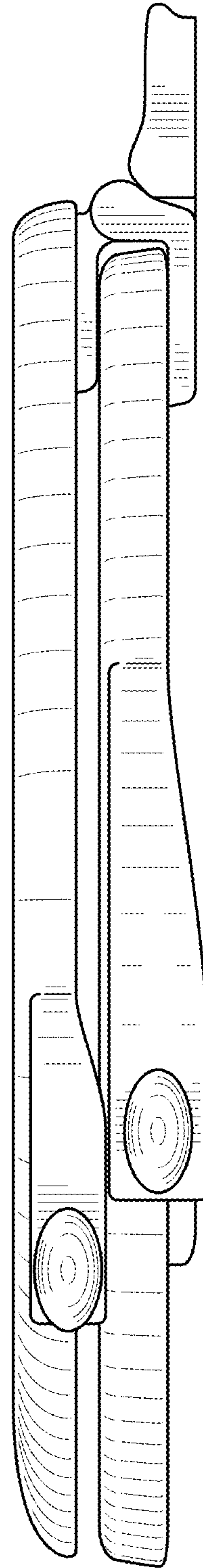


FIG. 5

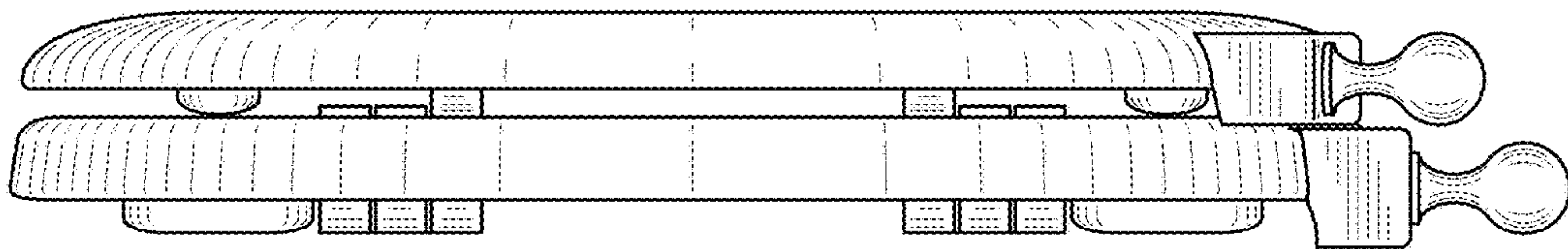


FIG. 6

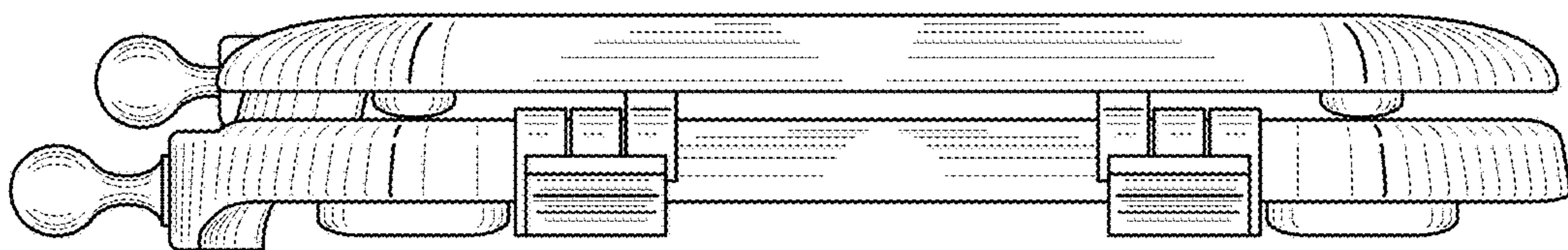


FIG. 7

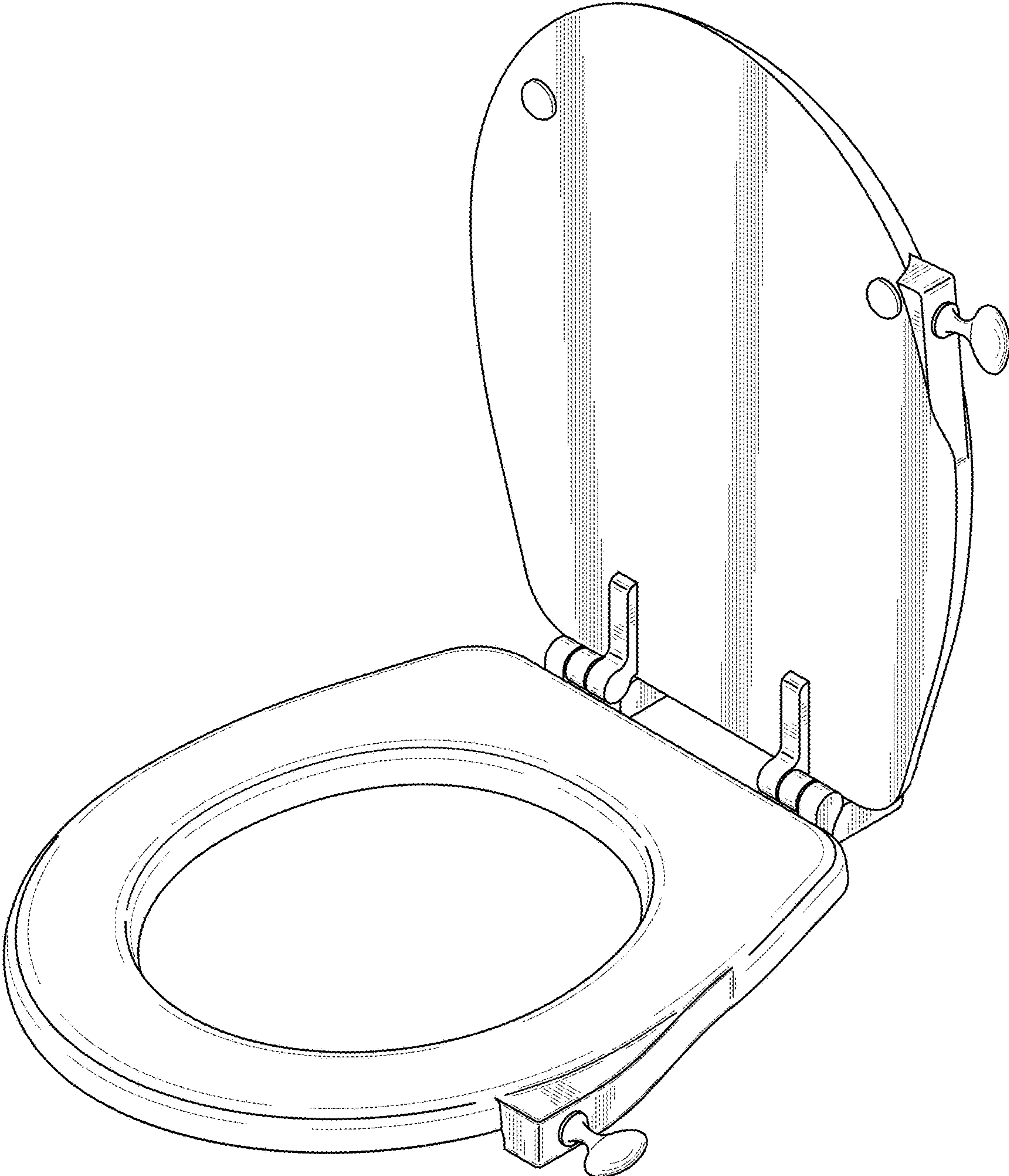


FIG. 8