



US00D790674S

(12) **United States Design Patent** (10) **Patent No.:** **US D790,674 S**
Santos (45) **Date of Patent:** **** *Jun. 27, 2017**

- (54) **DRAIN GREASE CONTAINER**
- (71) Applicant: **Shawn Alan Santos**, Honolulu, HI (US)
- (72) Inventor: **Shawn Alan Santos**, Honolulu, HI (US)
- (*) Notice: This patent is subject to a terminal disclaimer.
- (**) Term: **15 Years**
- (21) Appl. No.: **29/568,338**
- (22) Filed: **Jun. 16, 2016**

- D728,077 S * 4/2015 Luo D23/260
- D739,209 S * 9/2015 Lohmann D8/351
- D743,501 S * 11/2015 Pedersen D22/107
- D761,942 S * 7/2016 Santos D23/261

* cited by examiner

Primary Examiner — Sandra Snapp

(57) **CLAIM**

The ornamental design for a drain grease container, as shown and described.

DESCRIPTION

FIG. 1 is a perspective view of my new design for a drain grease container.

FIG. 2 is a quarter-rotated side view, of which a three-quarter-rotated side view is a mirror image thereof, of the container body in FIG. 1.

FIG. 3 is a frontal side view, of which a half-rotated side view is a mirror image thereof, of the container body in FIG. 1.

FIG. 4 is a top view of the container body in FIG. 1.

FIG. 5 is a bottom view of the of the container body in FIG. 1.

FIG. 6 is a front perspective view of the container body in FIG. 1.

FIG. 7 is a side cross-sectional view of the container body of FIG. 1 in an intended environment of use with absorbent material (shown in broken lines) positioned in the container, the view is taken along line 7-7 in FIG. 6; and,

FIG. 8 is an overhead perspective view showing the container body of FIG. 1 in another intended environment of use installed in a kitchen sink.

The broken line representations of the body of the drain grease container do not form any part of the claimed design.

The broken line representations of absorbent material and kitchen sink shown in the figures depict environmental subject matter and form no part of the claimed design.

1 Claim, 4 Drawing Sheets

Related U.S. Application Data

(63) Continuation of application No. 29/474,236, filed on Jul. 18, 2014, now Pat. No. Des. 761,942.

(51) **LOC (10) Cl.** **23-01**

(52) **U.S. Cl.**
USPC **D23/261**

(58) **Field of Classification Search**
USPC D23/259–263, 266–269, 233; 251/215, 251/216; 285/369, 372, 373, 417, 133.11, 285/133.3, 133.21, 133.4, 133.5, 133.6; 137/247, 247.41, 247.51

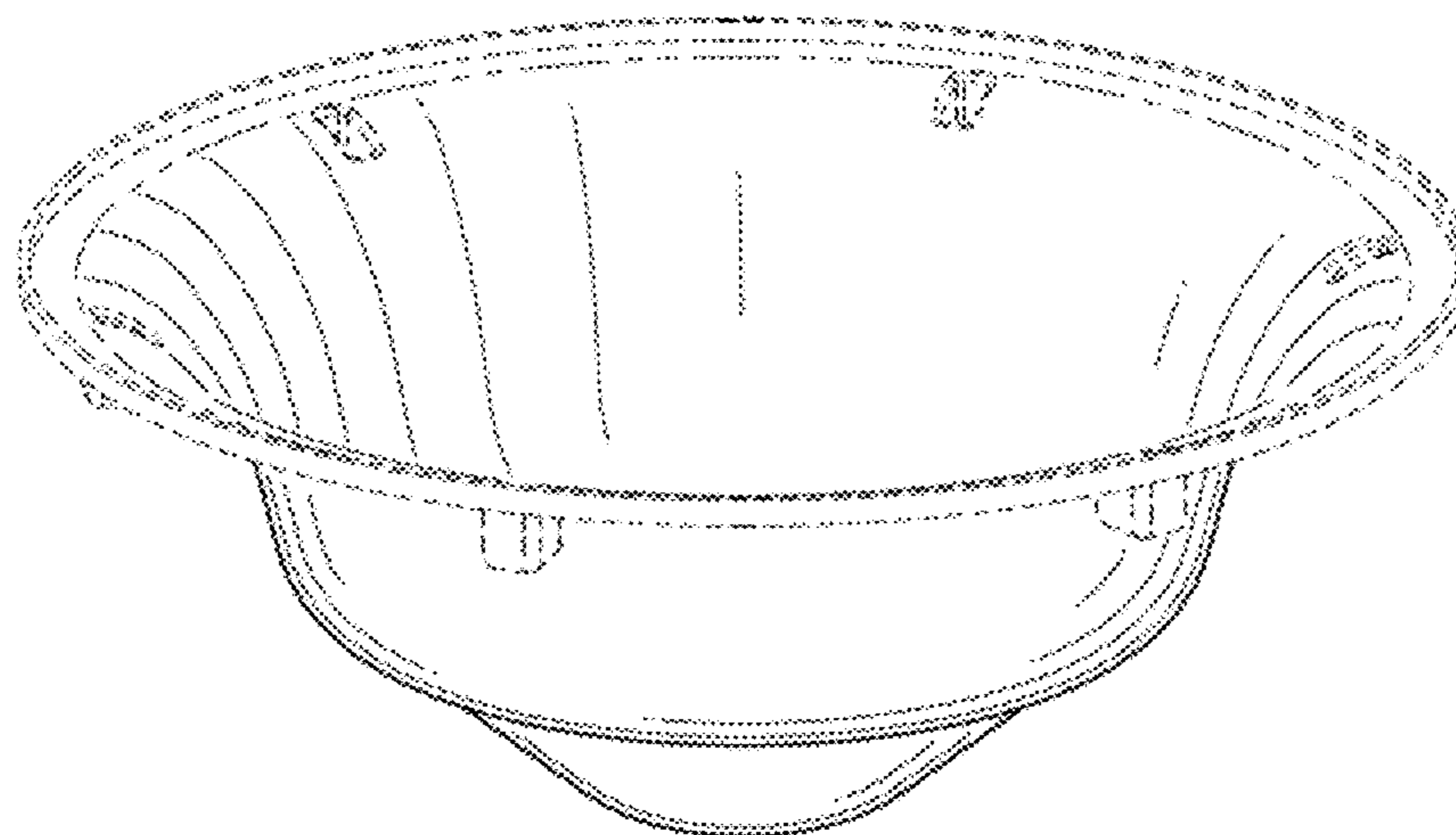
CPC F16L 11/00; F16L 37/252; F16L 41/007; E03C 1/26; E03C 1/262; E03C 1/28; E03F 5/04; A61B 5/00; A61M 25/09016

See application file for complete search history.

(56) **References Cited**

U.S. PATENT DOCUMENTS

- D599,444 S * 9/2009 Jones D23/261
- D672,438 S * 12/2012 Noel D23/261
- D673,246 S * 12/2012 Lee D23/260
- D677,764 S * 3/2013 Laera D23/260
- D680,628 S * 4/2013 Houck D23/260



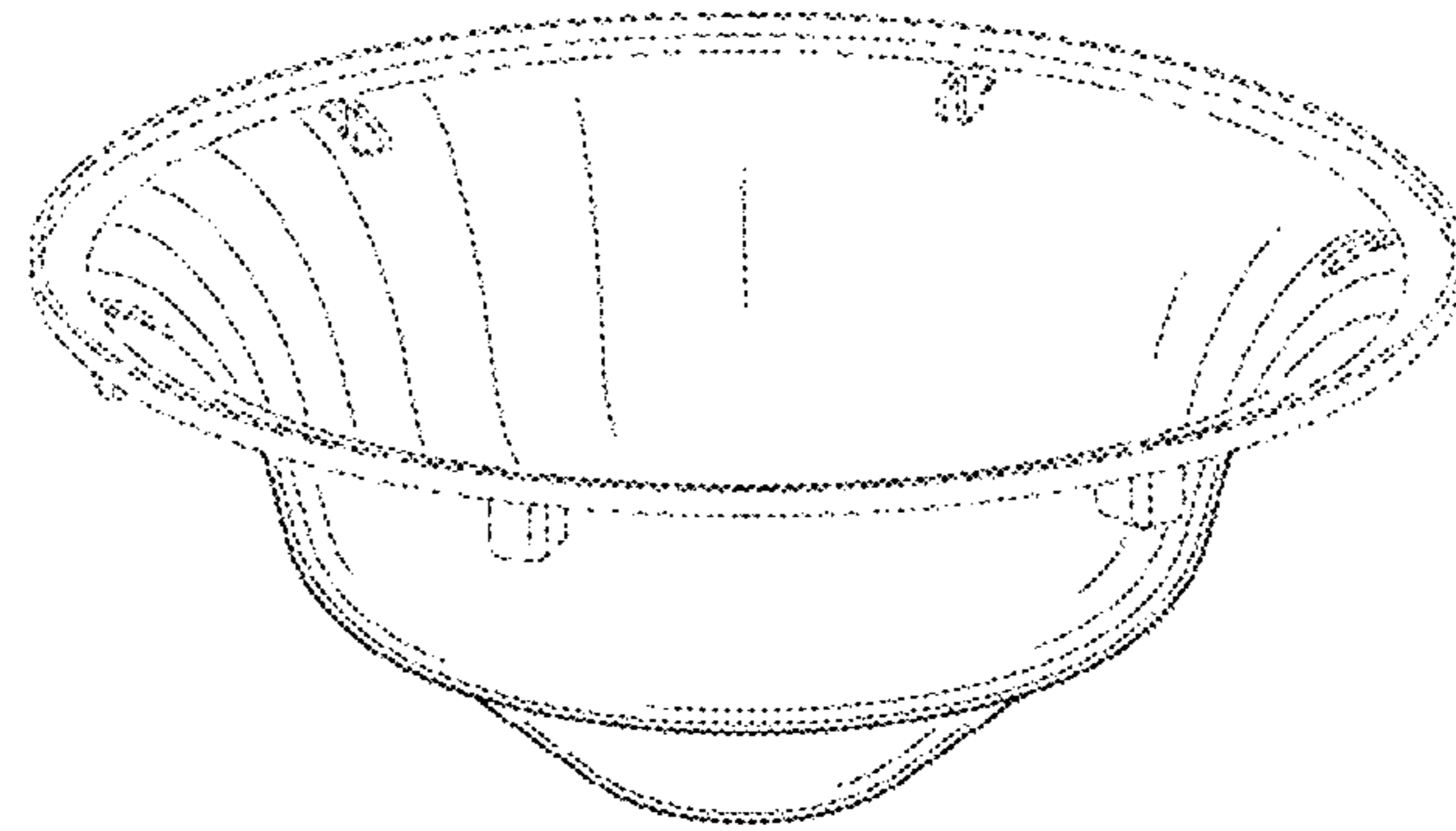


Fig. 1

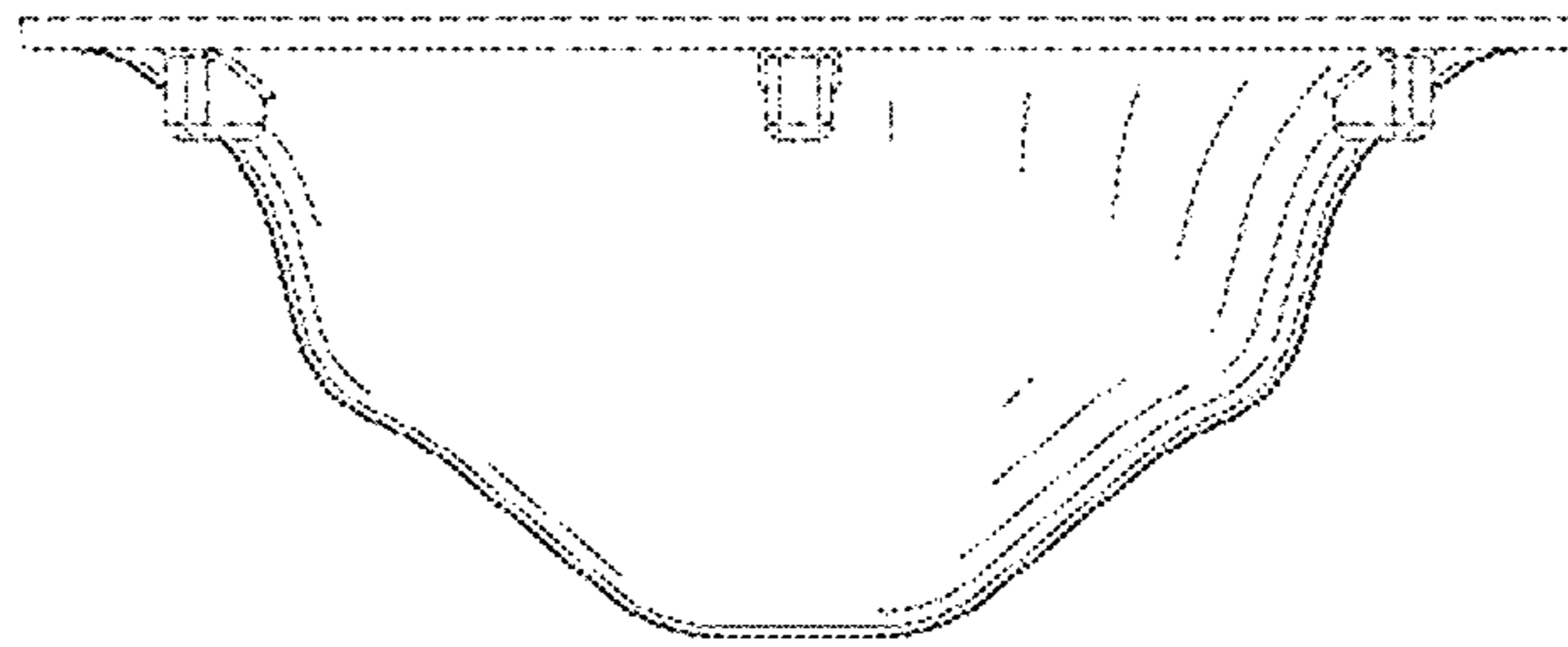


Fig. 2

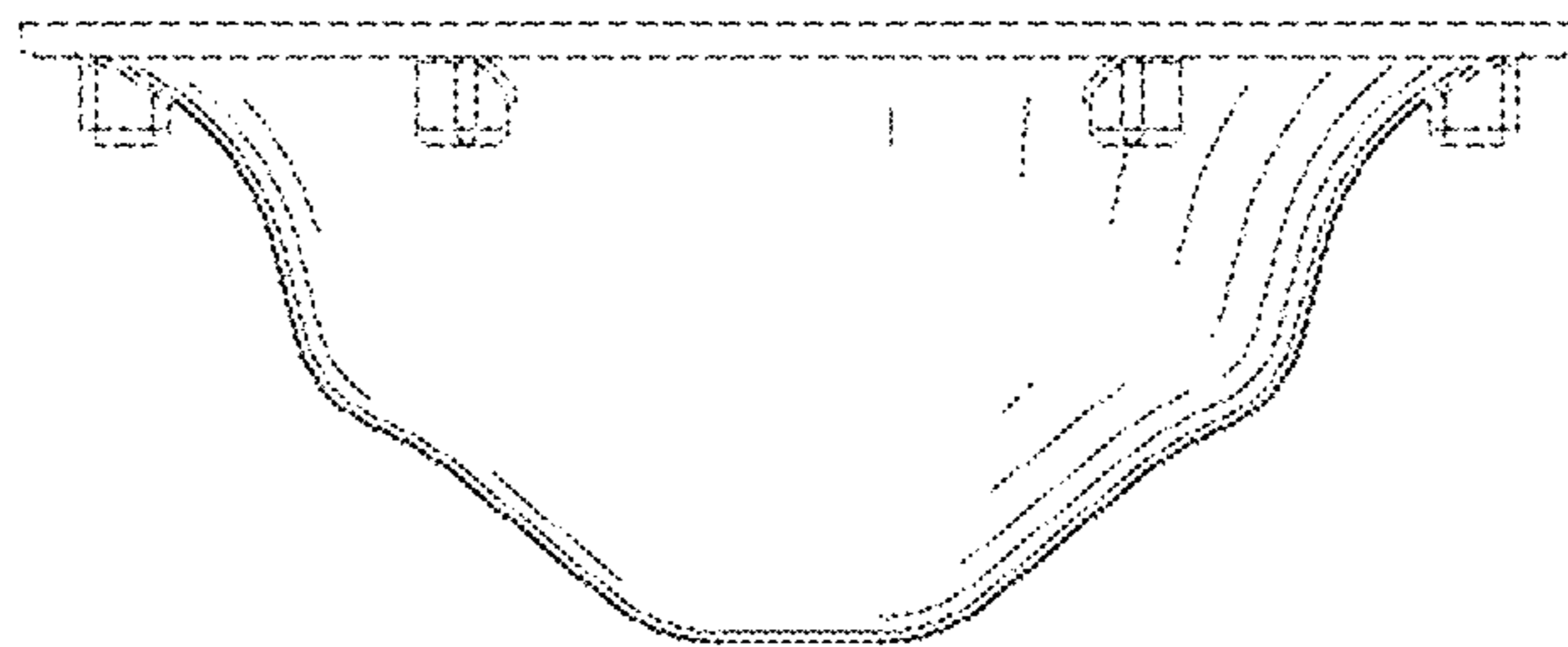


Fig. 3



FIG. 4

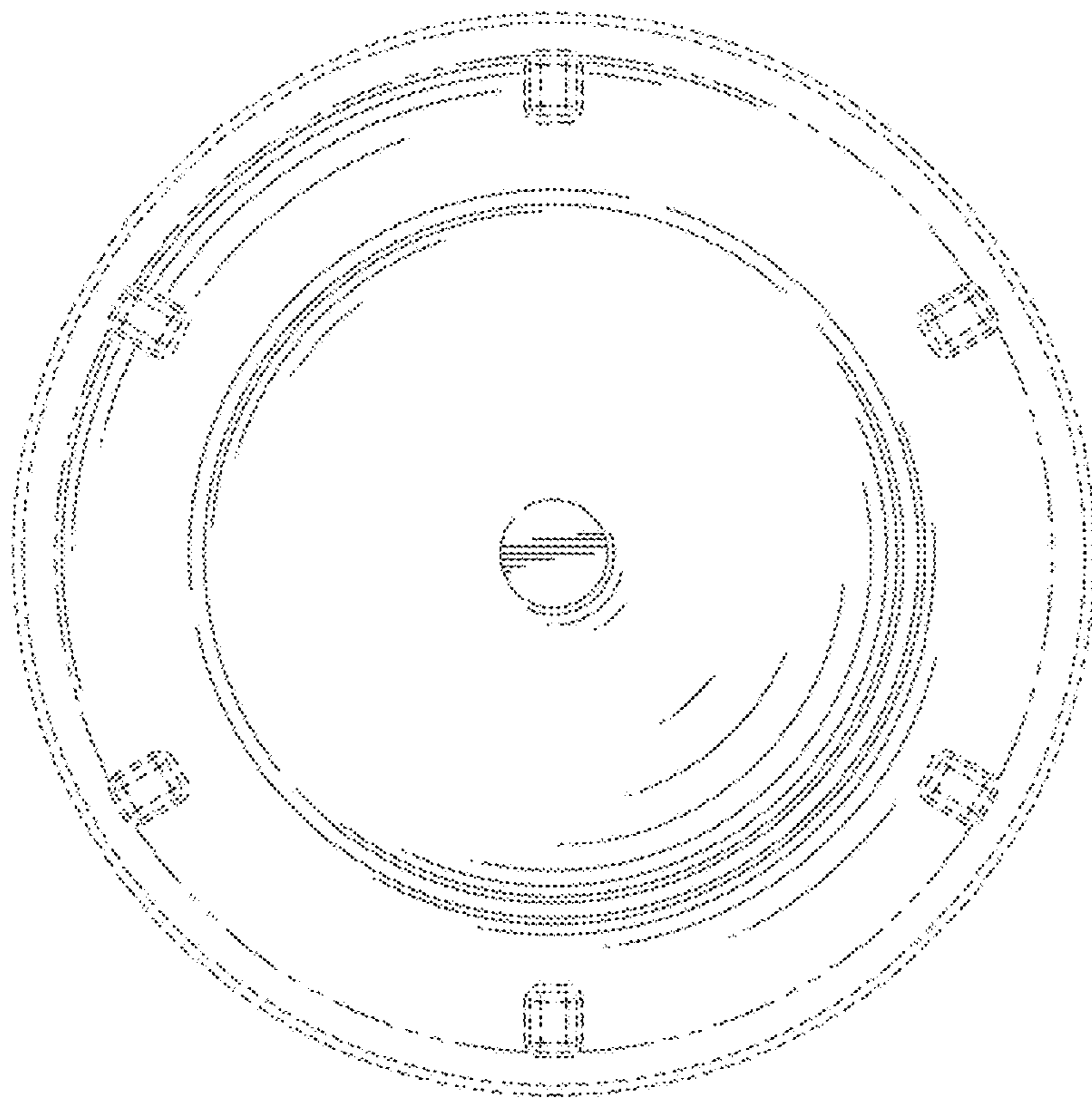


FIG. 5

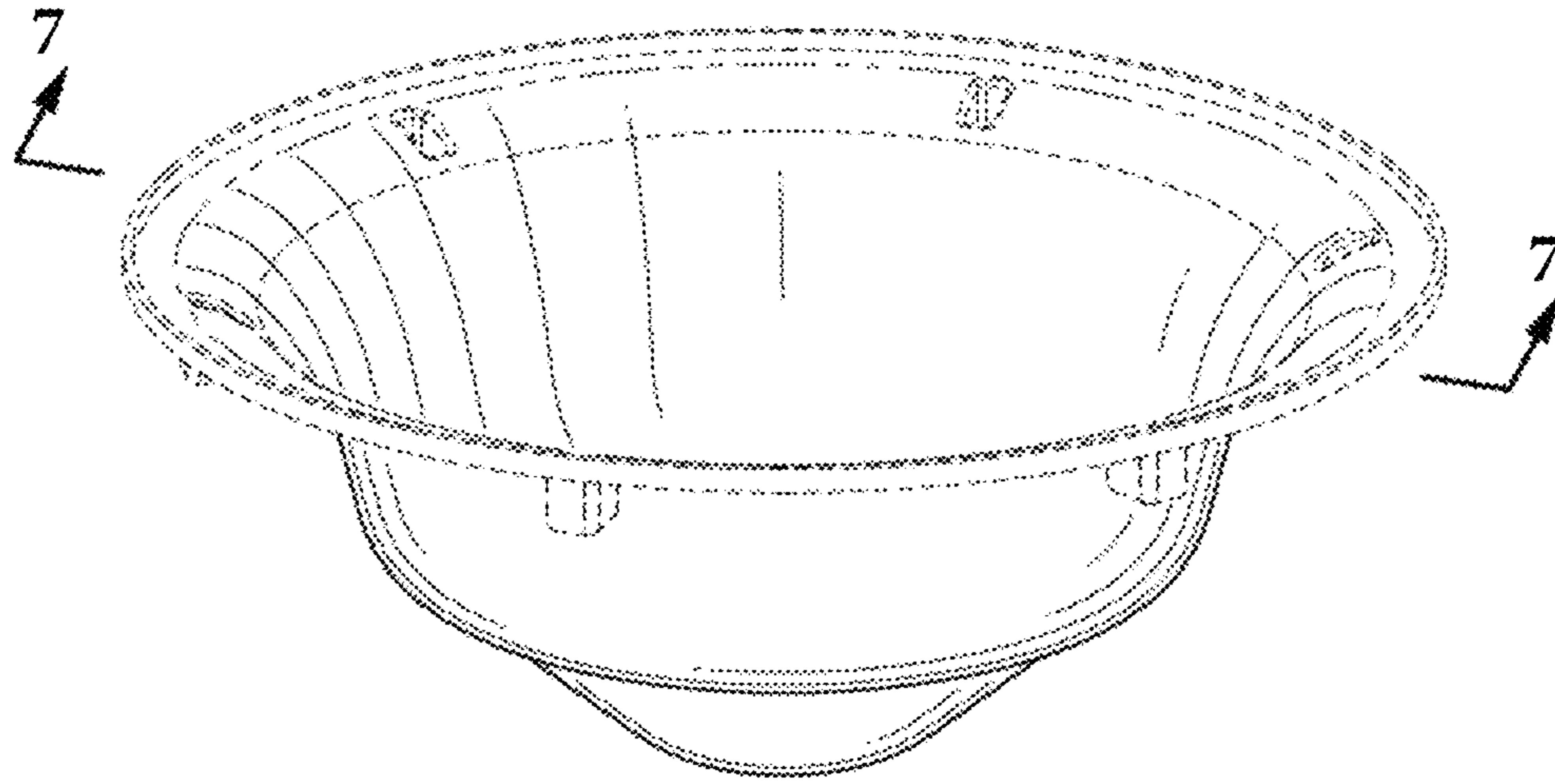


FIG. 6

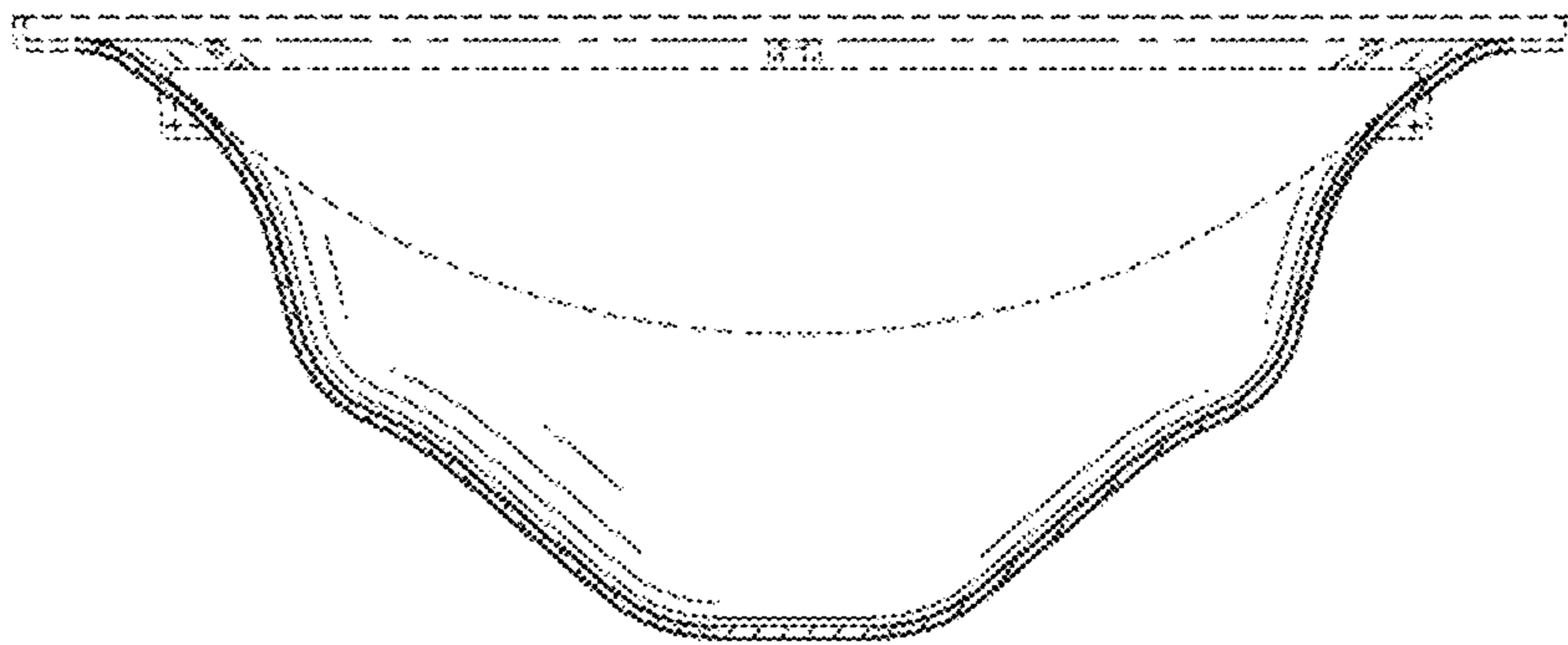


FIG. 7

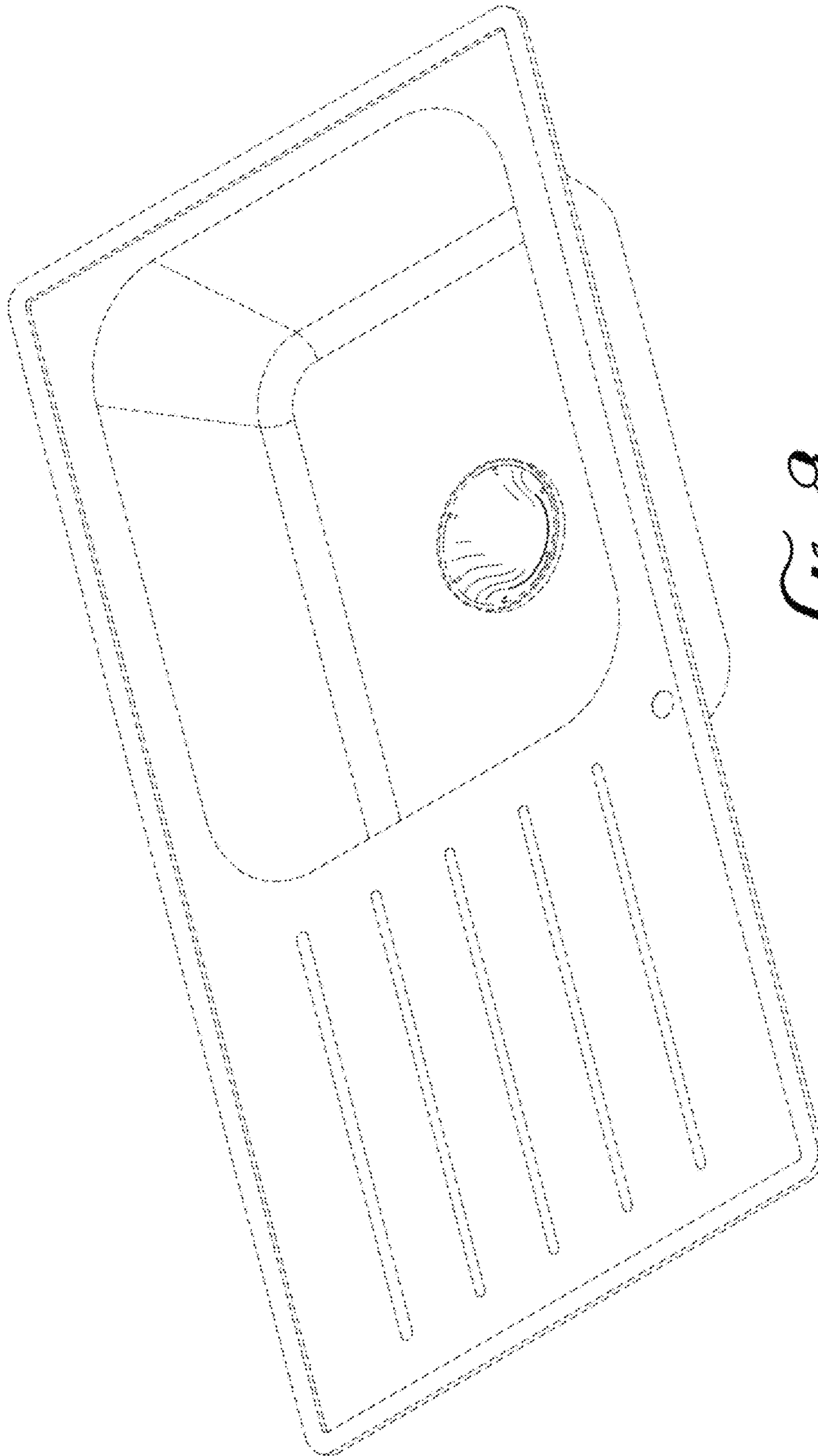


Fig. 8