



US00D790673S

(12) **United States Design Patent**
Santos

(10) **Patent No.:** **US D790,673 S**
(45) **Date of Patent:** **** Jun. 27, 2017**

- (54) **DRAIN GREASE CONTAINER**
- (71) Applicant: **Shawn Alan Santos**, Honolulu, HI (US)
- (72) Inventor: **Shawn Alan Santos**, Honolulu, HI (US)
- (**) Term: **15 Years**
- (21) Appl. No.: **29/568,336**
- (22) Filed: **Jun. 16, 2016**

- 7,832,027 B2 * 11/2010 Escobar E03C 1/262
4/286
- D630,306 S * 1/2011 Seehoff D23/261
- 7,992,236 B2 * 8/2011 DeGooyer E03F 5/0408
4/287
- 8,112,827 B2 * 2/2012 DeGooyer E03C 1/20
4/288
- D672,438 S * 12/2012 Noel D23/261
- D673,246 S * 12/2012 Lee D23/260
- D728,077 S * 4/2015 Luo D23/260
- D739,209 S * 9/2015 Lohmann D8/351
- 9,366,017 B2 * 6/2016 Cook E03F 5/0408
- D761,942 S * 7/2016 Santos D23/261

Related U.S. Application Data

- (63) Continuation of application No. 29/474,236, filed on Jul. 28, 2014, now Pat. No. Des. 761,942.
- (51) **LOC (10) Cl.** **23-01**
- (52) **U.S. Cl.**
USPC **D23/261**
- (58) **Field of Classification Search**
USPC D23/259–263, 266–269, 233; 251/215,
251/216; 285/369, 372, 373, 417, 133.11,
285/133.3, 133.21, 133.4, 133.5, 133.6;
137/247, 247.41, 247.51
CPC F16L 11/00; F16L 37/252; F16L 41/007;
E03C 1/26; E03C 1/262; E03C 1/28;
E03F 5/04; A61B 5/00; A61M 25/09016
See application file for complete search history.

(56) **References Cited**

U.S. PATENT DOCUMENTS

- 2,783,852 A * 3/1957 Sisk E03F 5/0408
210/165
- 4,067,072 A * 1/1978 Izzi E03F 5/0407
285/12
- 4,910,811 A * 3/1990 Izzi, Sr. E03F 5/0407
210/163
- D599,444 S * 9/2009 Jones D23/261

* cited by examiner

Primary Examiner — Sandra Snapp

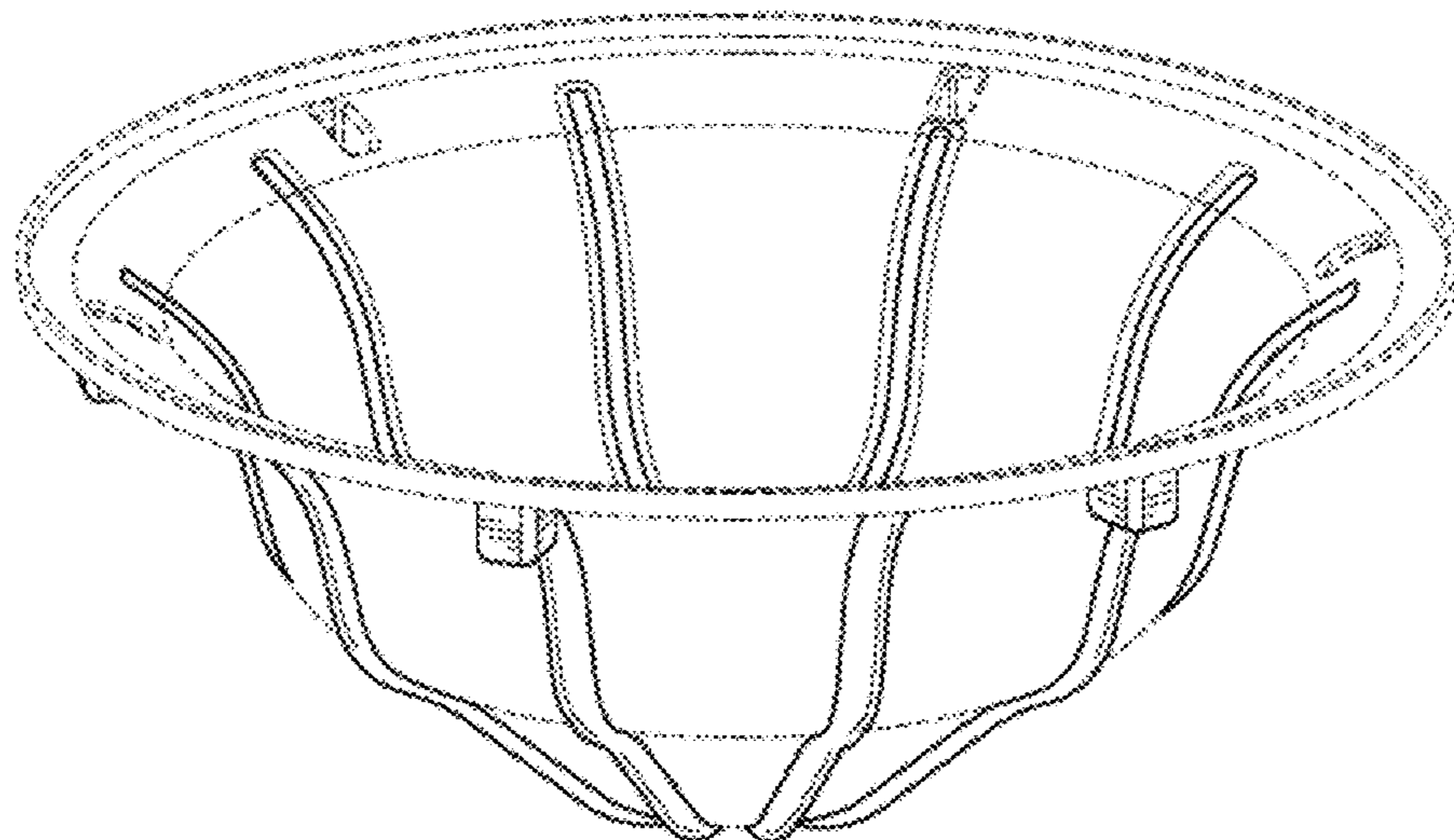
(57) **CLAIM**

The ornamental design for the drain grease container, as shown and described.

DESCRIPTION

FIG. 1 is a perspective view of my new design for a drain grease container;
 FIG. 2 is a quarter-rotated side view of the drain grease container, the three-quarter-rotated side view is a mirror image thereof;
 FIG. 3 is a front view thereof, the half-rotated side view is a mirror imager thereof;
 FIG. 4 is a top plan view of the drain grease container;
 FIG. 5 is a bottom plan view thereof; and,
 FIG. 6 is a front perspective view of the drain grease container in an intended environment of use with absorbent material (shown in broken lines) positioned in the drain grease container.
 The broken lines depict portions of the drain grease container and form no part of the claimed design.

1 Claim, 3 Drawing Sheets



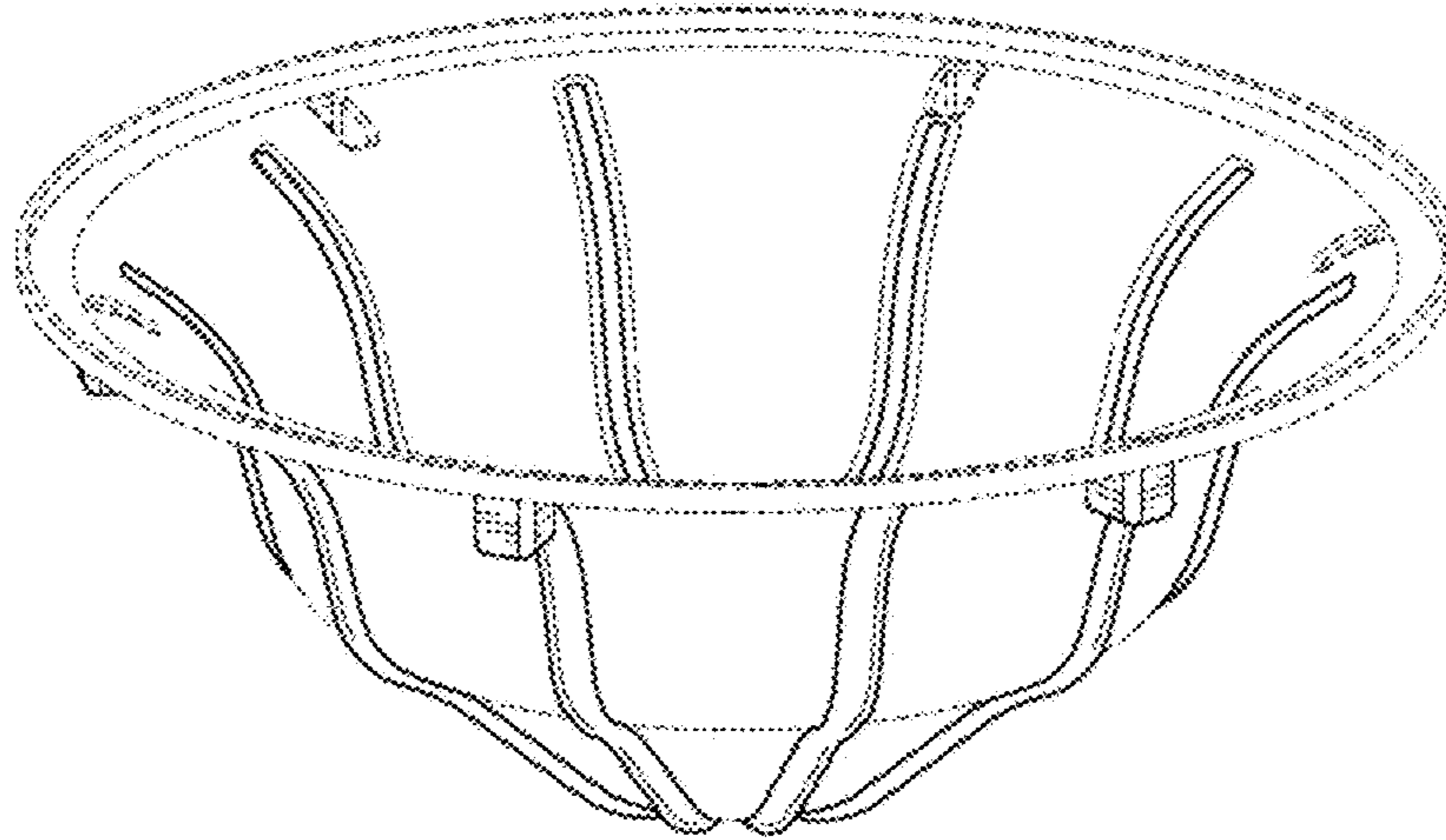


FIG. 1

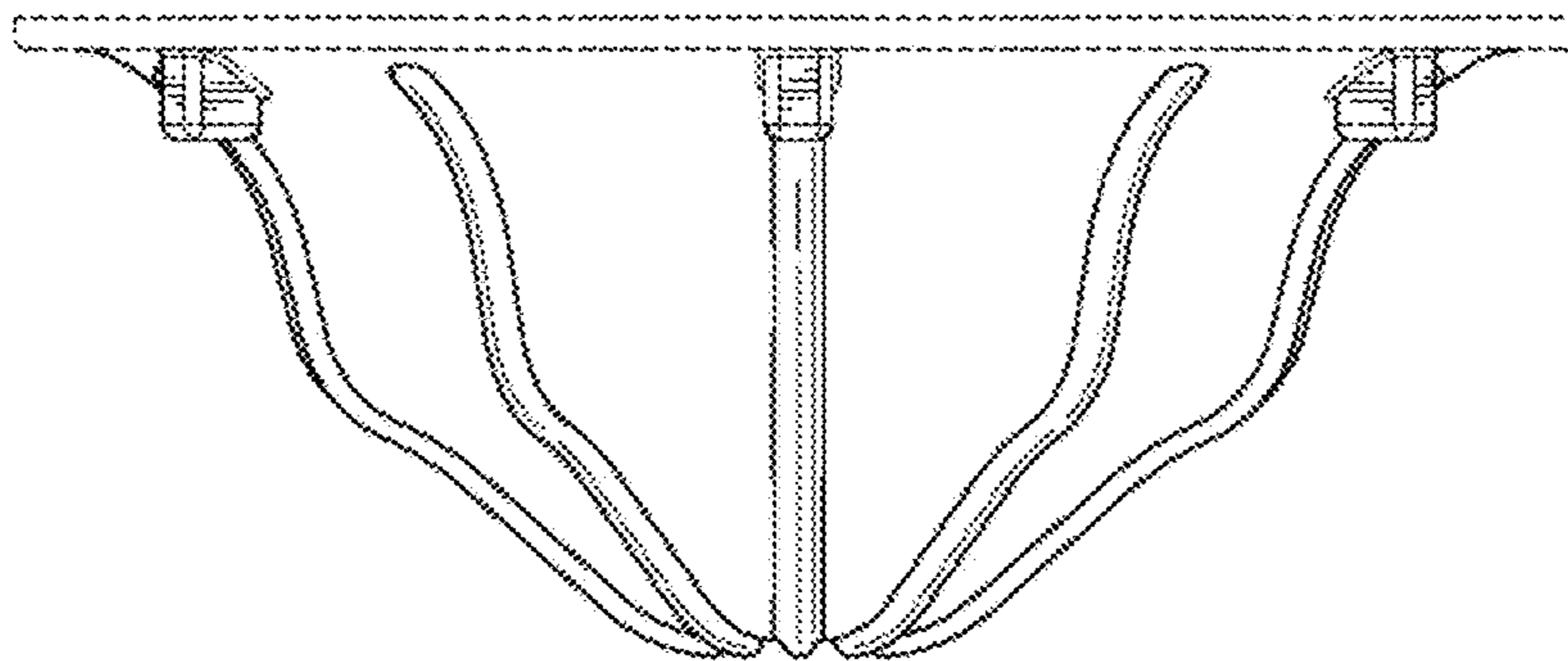


FIG. 2

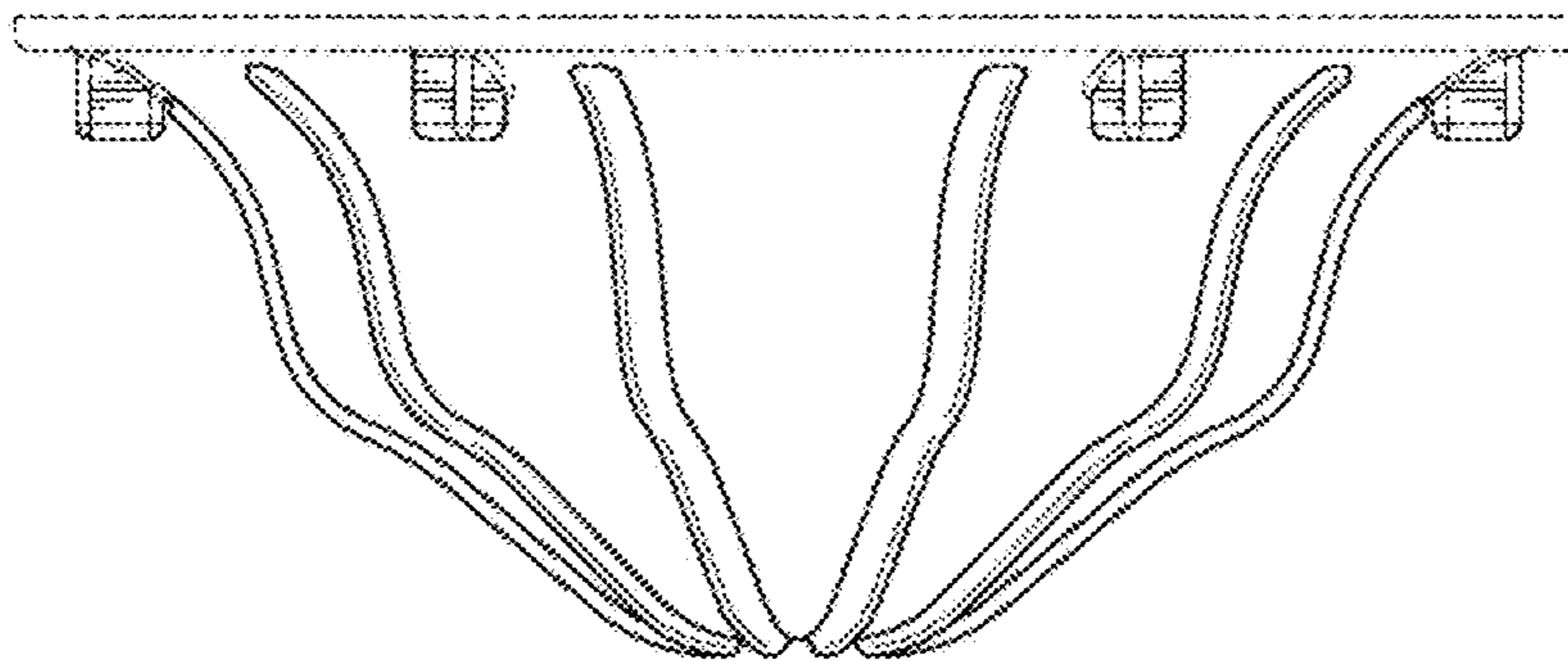


FIG. 3

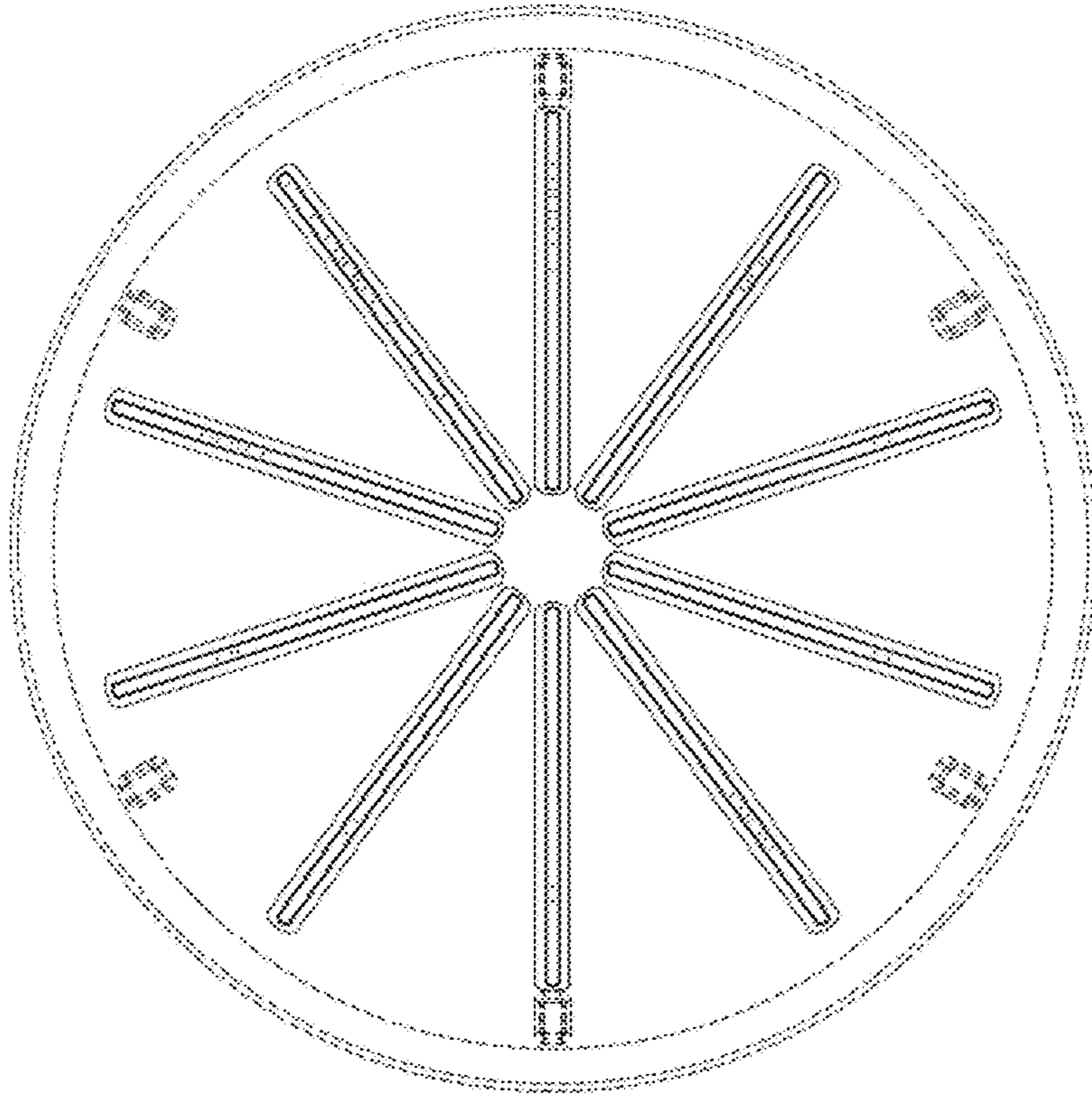


FIG. 4

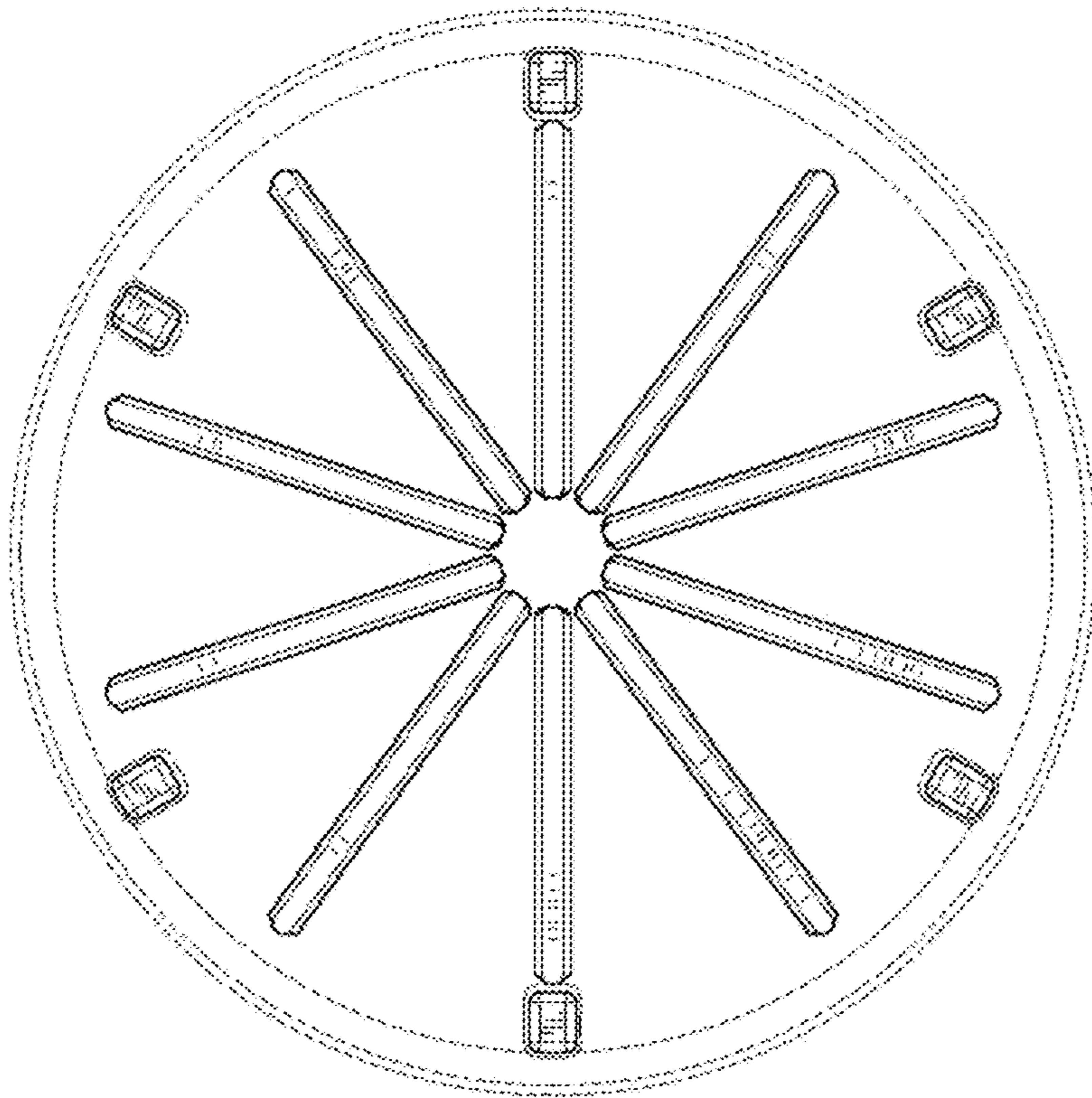


FIG. 5

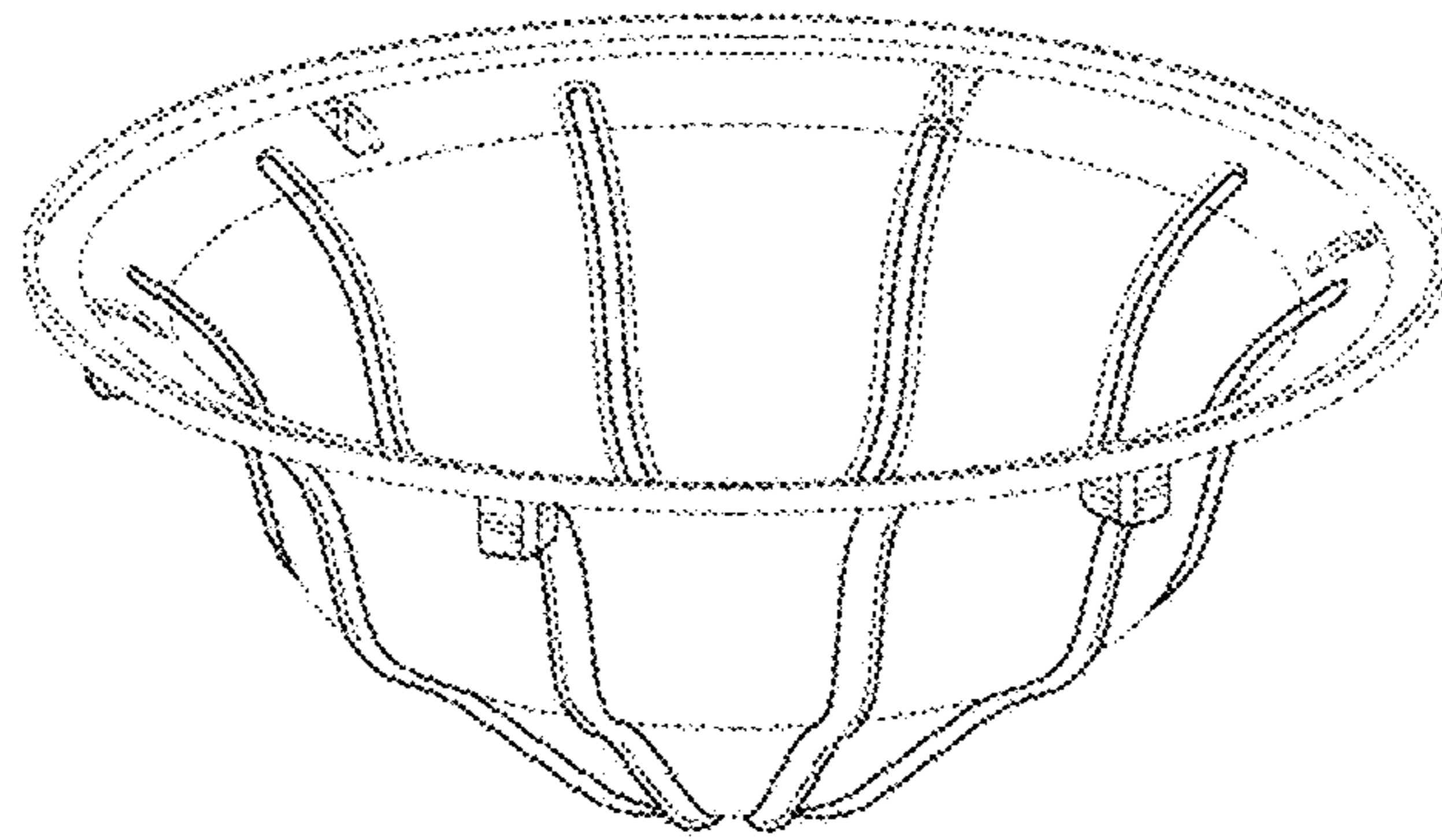


FIG. 6