



US00D790672S

(12) **United States Design Patent**  
**Elliott**

(10) **Patent No.:** **US D790,672 S**

(45) **Date of Patent:** **\*\* Jun. 27, 2017**

(54) **DRAINAGE CUFF**

(71) Applicant: **EURAMAX INTERNATIONAL, INC.**, Norcross, GA (US)

(72) Inventor: **Benjamin R. Elliott**, Chattanooga, TN (US)

(73) Assignee: **OMNIMAX INTERNATIONAL, INC.**, Norcross, GA (US)

(\*\*) Term: **15 Years**

(21) Appl. No.: **29/540,919**

(22) Filed: **Sep. 29, 2015**

(51) **LOC (10) Cl.** ..... **23-01**

(52) **U.S. Cl.**  
USPC ..... **D23/261**

(58) **Field of Classification Search**  
USPC ..... D23/259-262, 265-269, 393; 285/42, 285/356

(Continued)

(56) **References Cited**

**U.S. PATENT DOCUMENTS**

D596,272 S \* 7/2009 Price ..... D23/259  
7,964,095 B1 \* 6/2011 Graybeal ..... E03F 5/04  
210/164

(Continued)

*Primary Examiner* — Eric Goodman  
*Assistant Examiner* — Amy Wierenga

(57) **CLAIM**

The ornamental design for a drainage cuff, as shown and described.

**DESCRIPTION**

FIG. 1 is a top perspective view of a drainage cuff showing my new design in an environment of a cap for a drainage pipe;

FIG. 2 is a bottom perspective view of the drainage cuff of FIG. 1;

FIG. 3 is a front elevational view of the drainage cuff of FIG. 1;

FIG. 4 is a rear elevational view of the drainage cuff of FIG. 1;

FIG. 5 is a right side elevational view of the drainage cuff of FIG. 1;

FIG. 6 is a left side elevational view of the drainage cuff of FIG. 1;

FIG. 7 is a top plan view of the drainage cuff of FIG. 1;

FIG. 8 is a bottom plan view of the drainage cuff of FIG. 1;

FIG. 9 is a top perspective view of a drainage cuff showing my new design in an environment of a drainage pipe cap with a pop-up emitter;

FIG. 10 is a bottom perspective view of the drainage cuff of FIG. 9;

FIG. 11 is a front elevational view of the drainage cuff of FIG. 9, the right side, left side, and rear side elevational views being mirror images thereof;

FIG. 12 is a top plan view of the drainage cuff of FIG. 9;

FIG. 13 is a bottom plan view of the drainage cuff of FIG. 9;

FIG. 14 is a top perspective view of a drainage cuff showing my new design in an environment of an adaptor for drainage pipes;

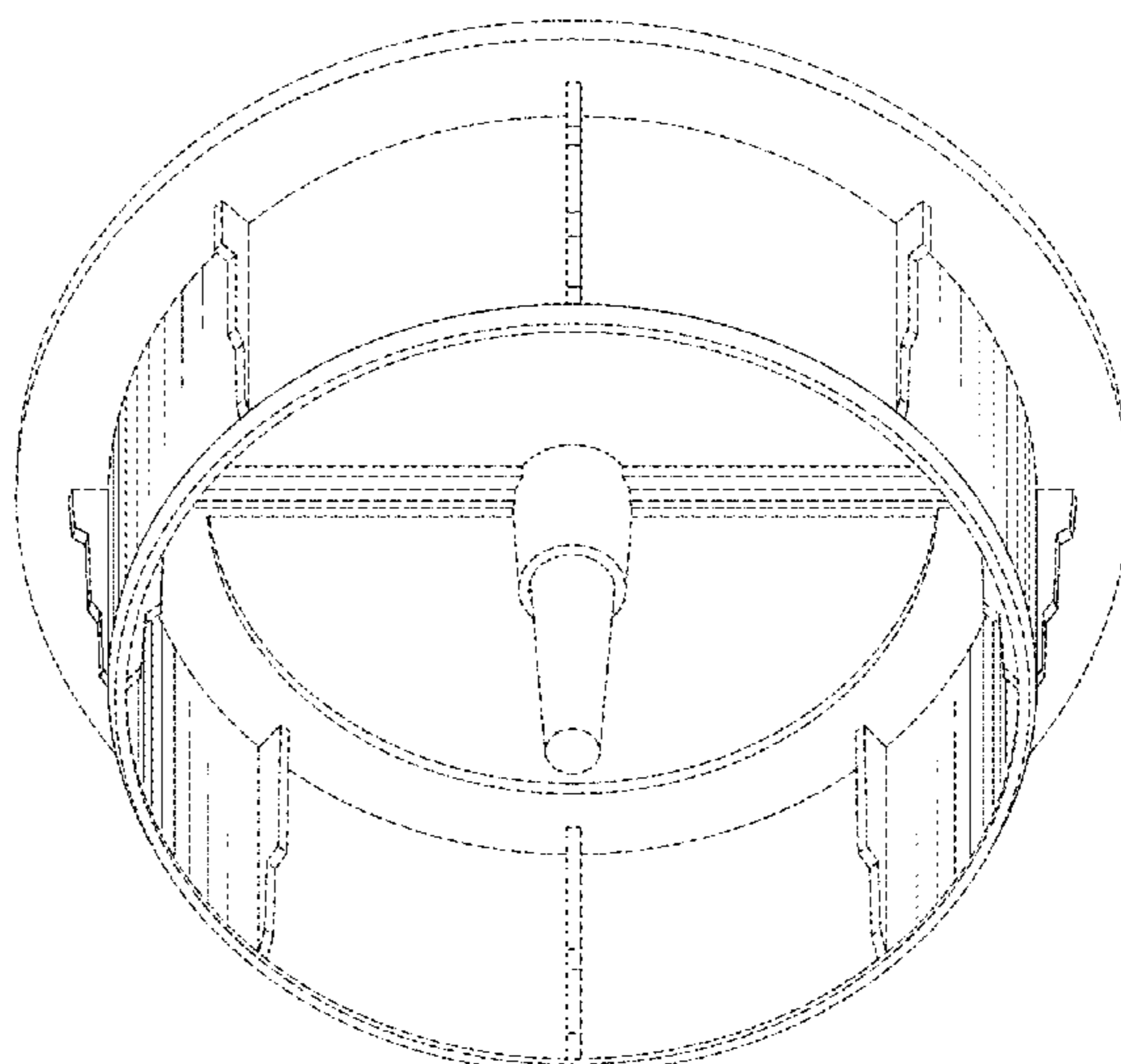
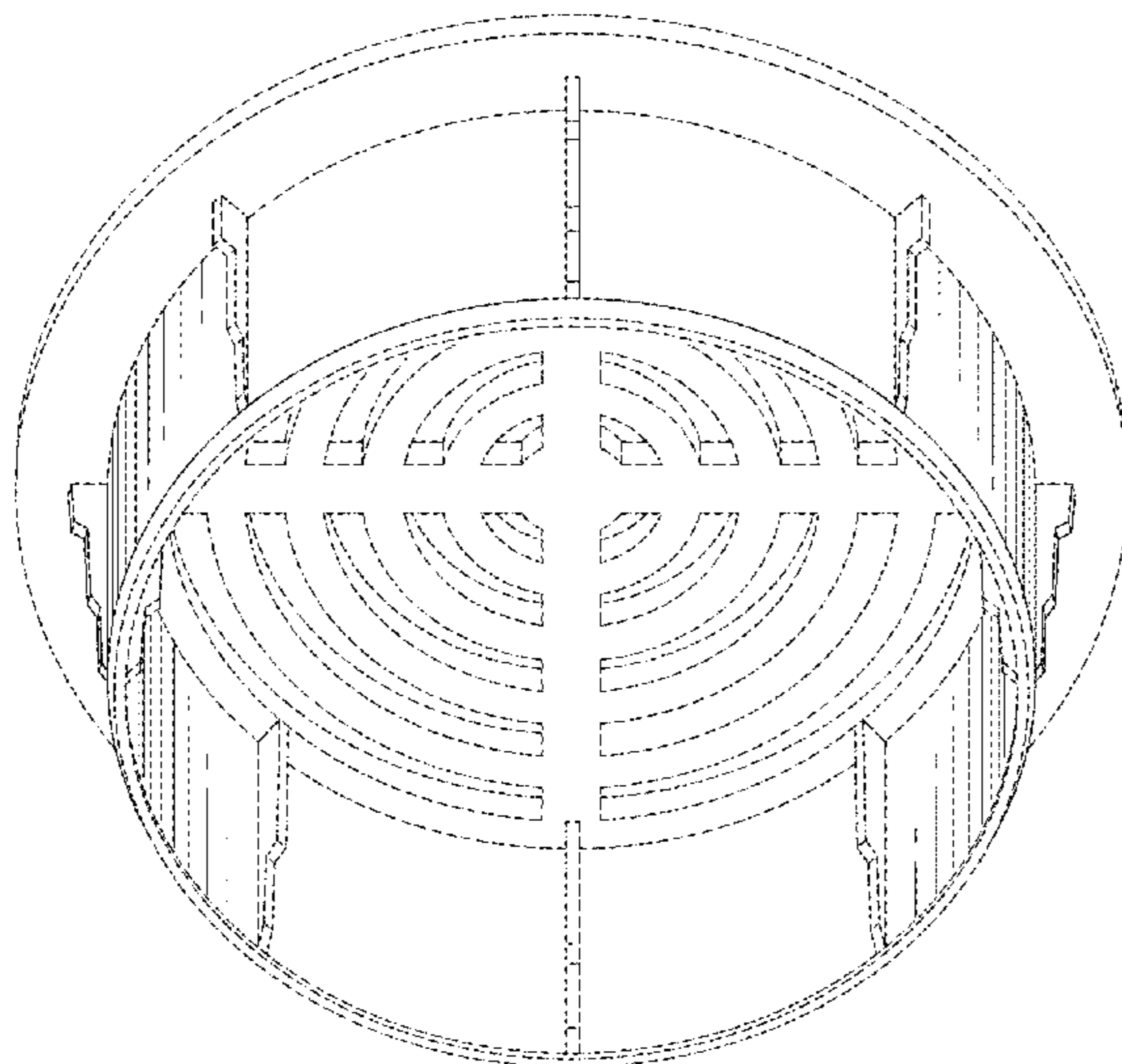
FIG. 15 is a bottom perspective view of the drainage cuff of FIG. 14;

FIG. 16 is a front elevational view of the drainage cuff of FIG. 14, the right side, left side, and rear side elevational views being mirror images thereof;

FIG. 17 is a bottom plan view of the drainage cuff of FIG. 14; and,

FIG. 18 is a top plan view of the drainage cuff of FIG. 14. The dashed broken lines depict environment only and form no part of the claimed design. The dot-dash broken lines depict bounds of the claimed design and form no part thereof.

**1 Claim, 11 Drawing Sheets**



(58) **Field of Classification Search**

CPC .... E03C 1/12; E03F 5/04; E03F 5/041; F16L  
11/15; F16L 25/14

See application file for complete search history.

(56) **References Cited**

U.S. PATENT DOCUMENTS

D702,903 S *	4/2014	Nhem .....	D32/31
D703,893 S *	4/2014	Nhem .....	D32/31
D703,894 S *	4/2014	Nhem .....	D32/31
D733,264 S *	6/2015	Fain .....	D23/262
D749,706 S *	2/2016	Johansen .....	D23/260
2016/0090727 A1 *	3/2016	Elliott .....	E03F 5/041 285/42

\* cited by examiner

FIG. 1

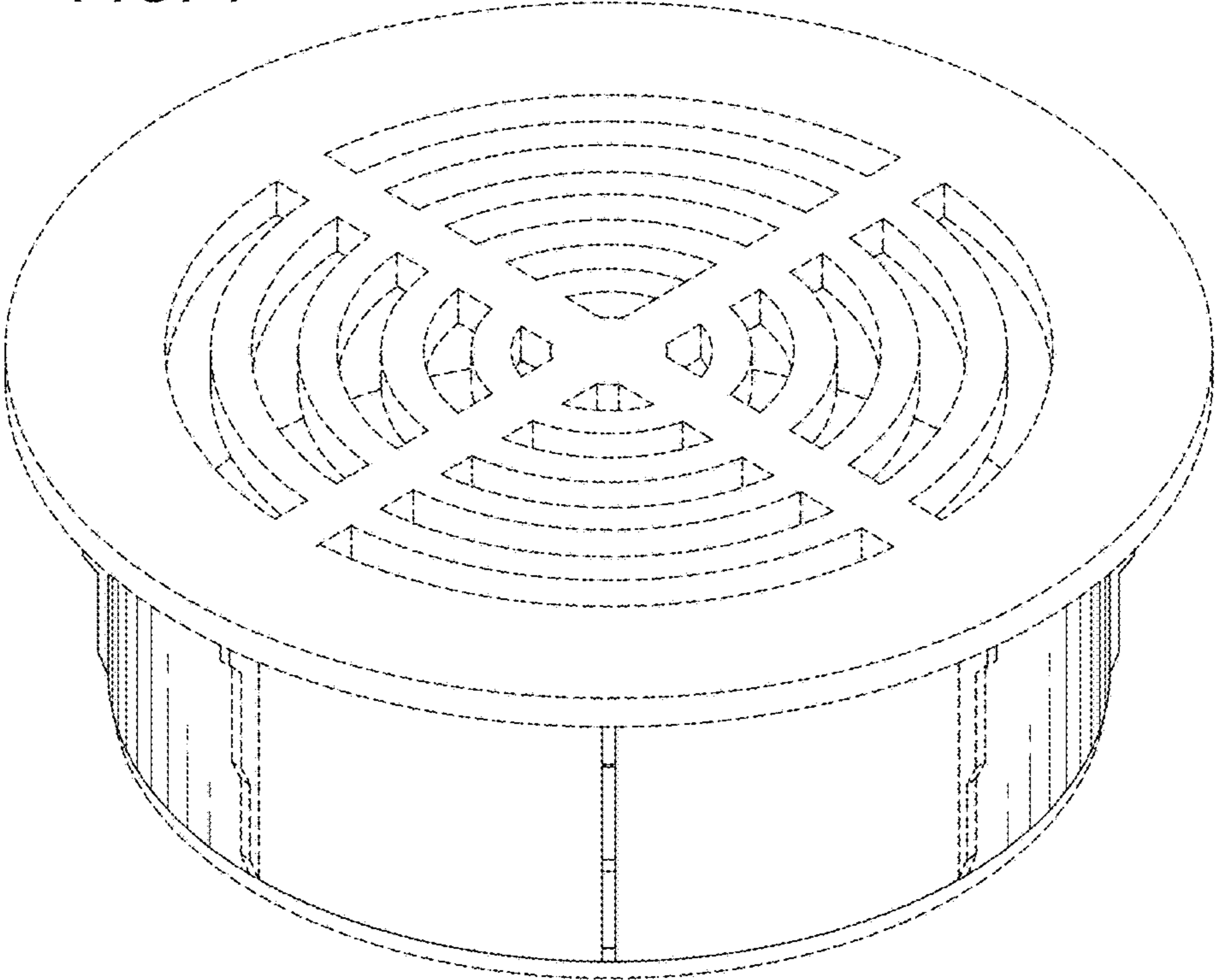


FIG. 2

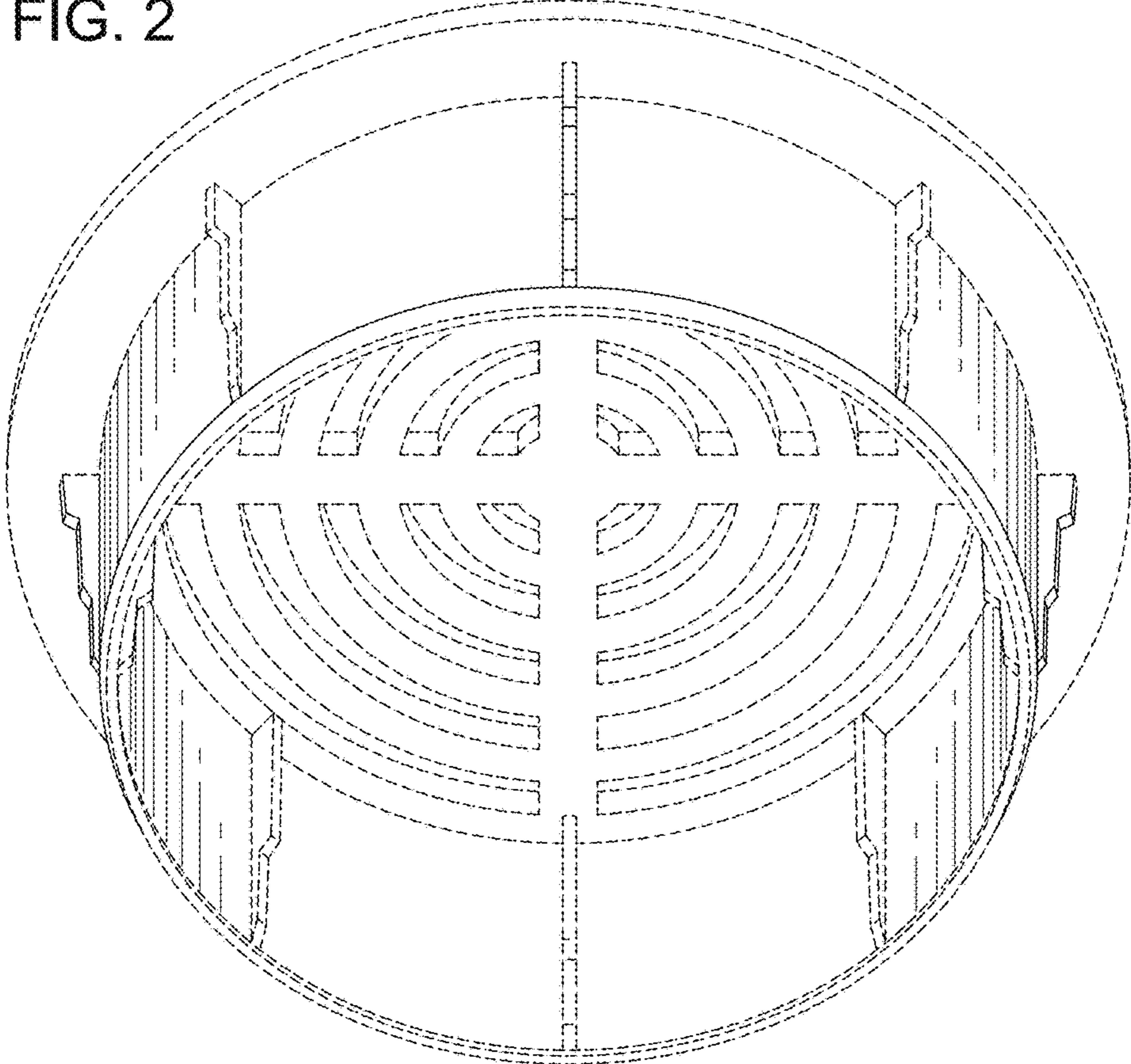


FIG. 3

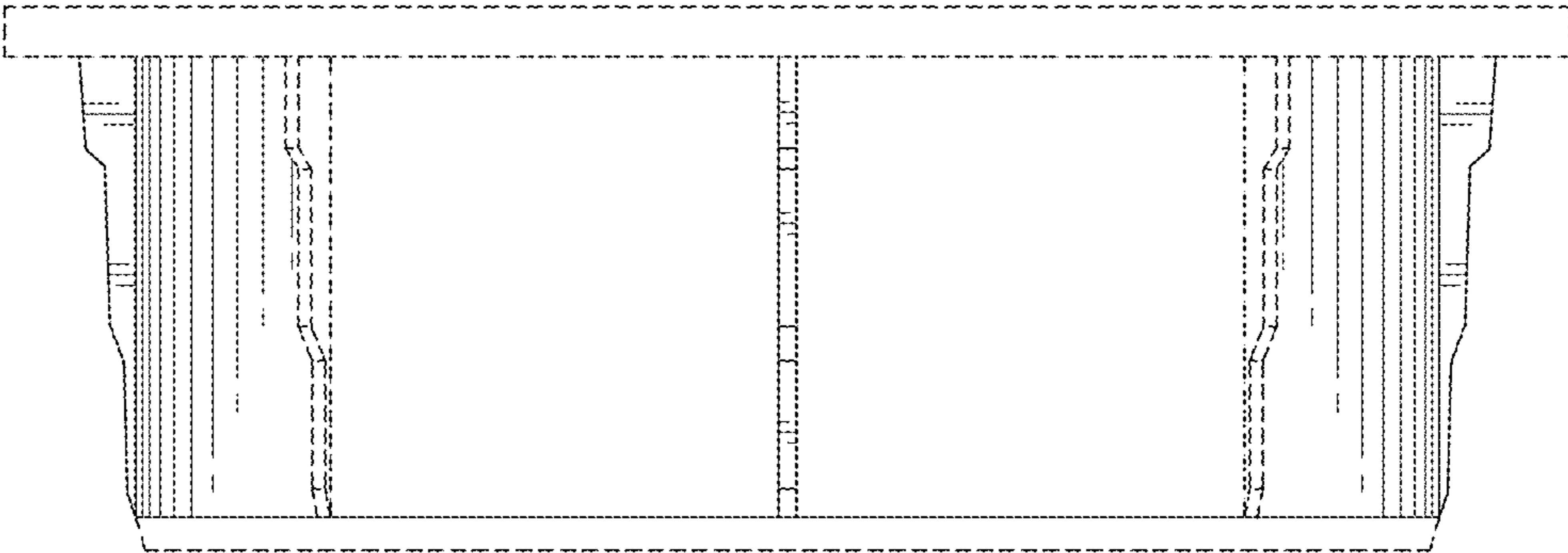


FIG. 4

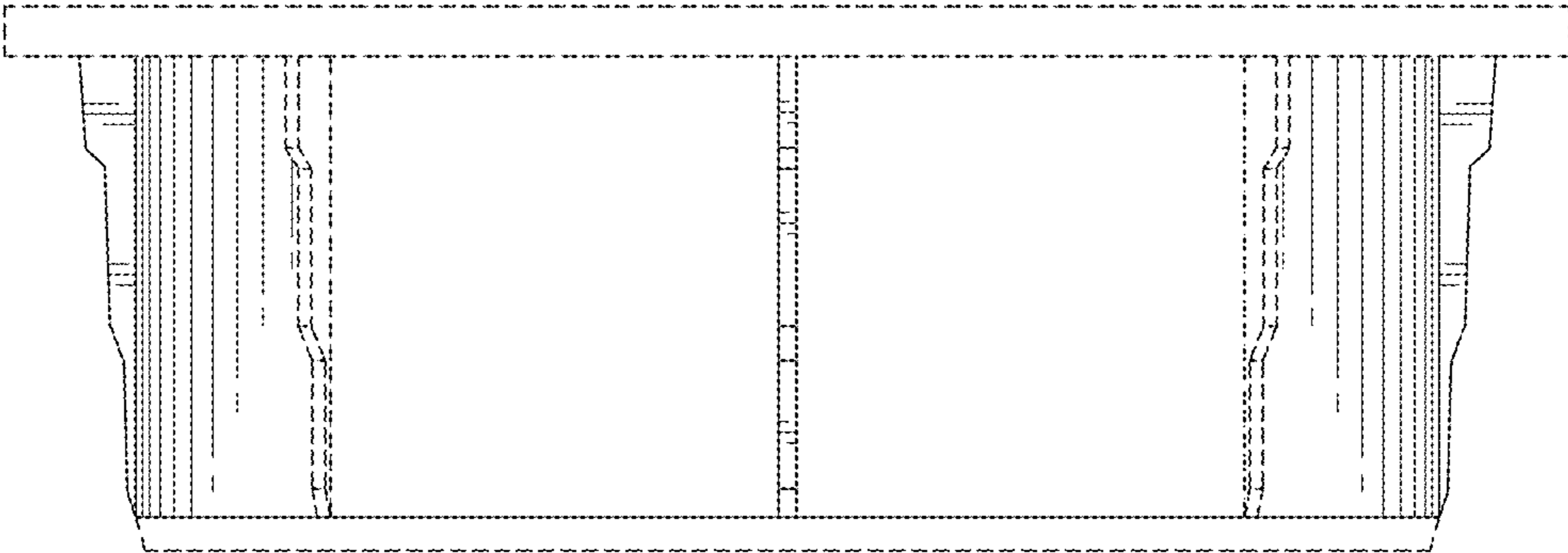


FIG. 5

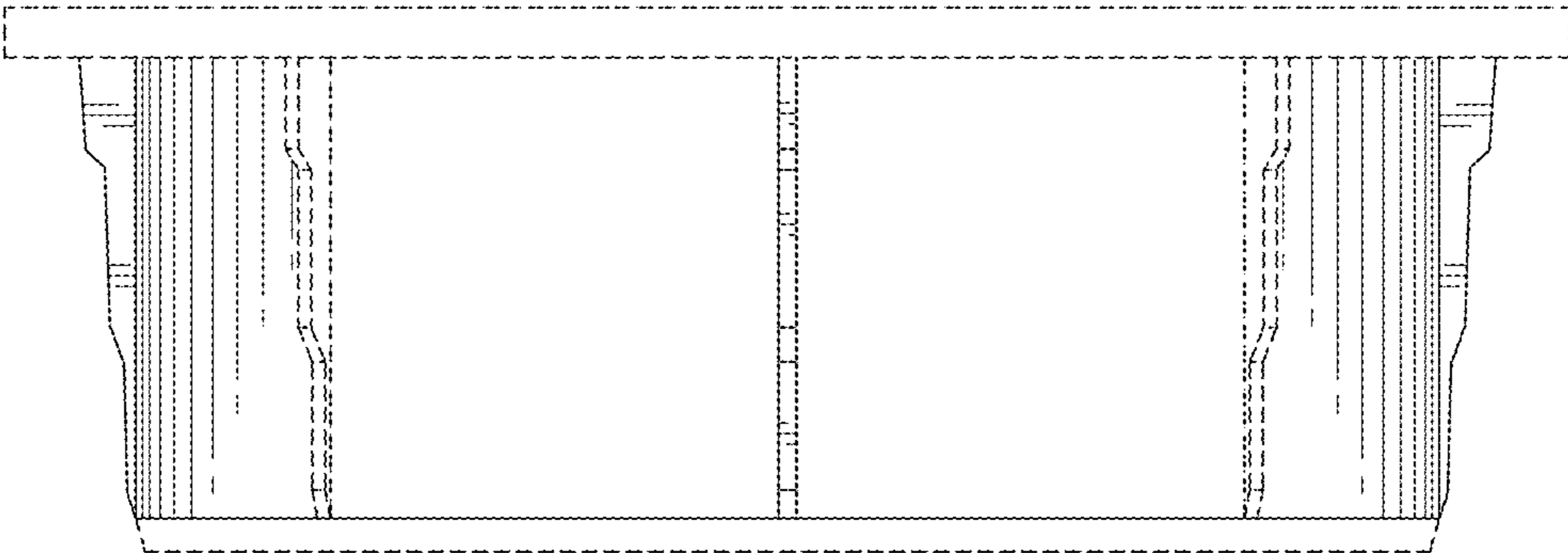


FIG. 6

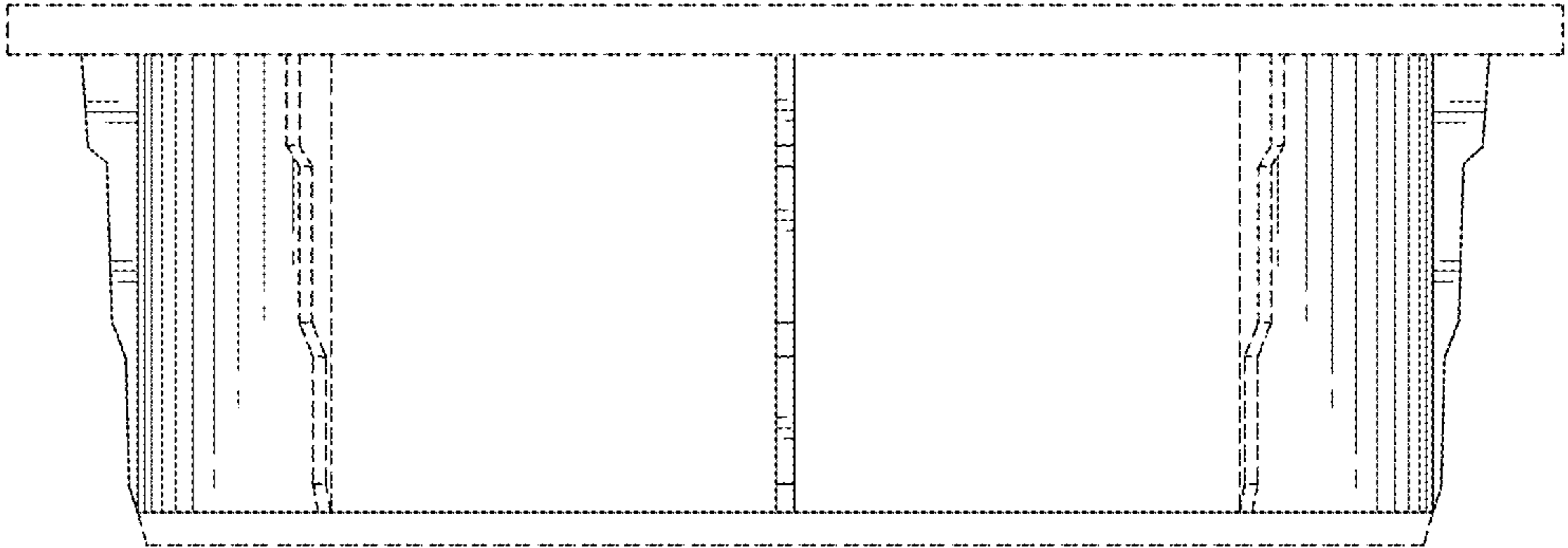


FIG. 7

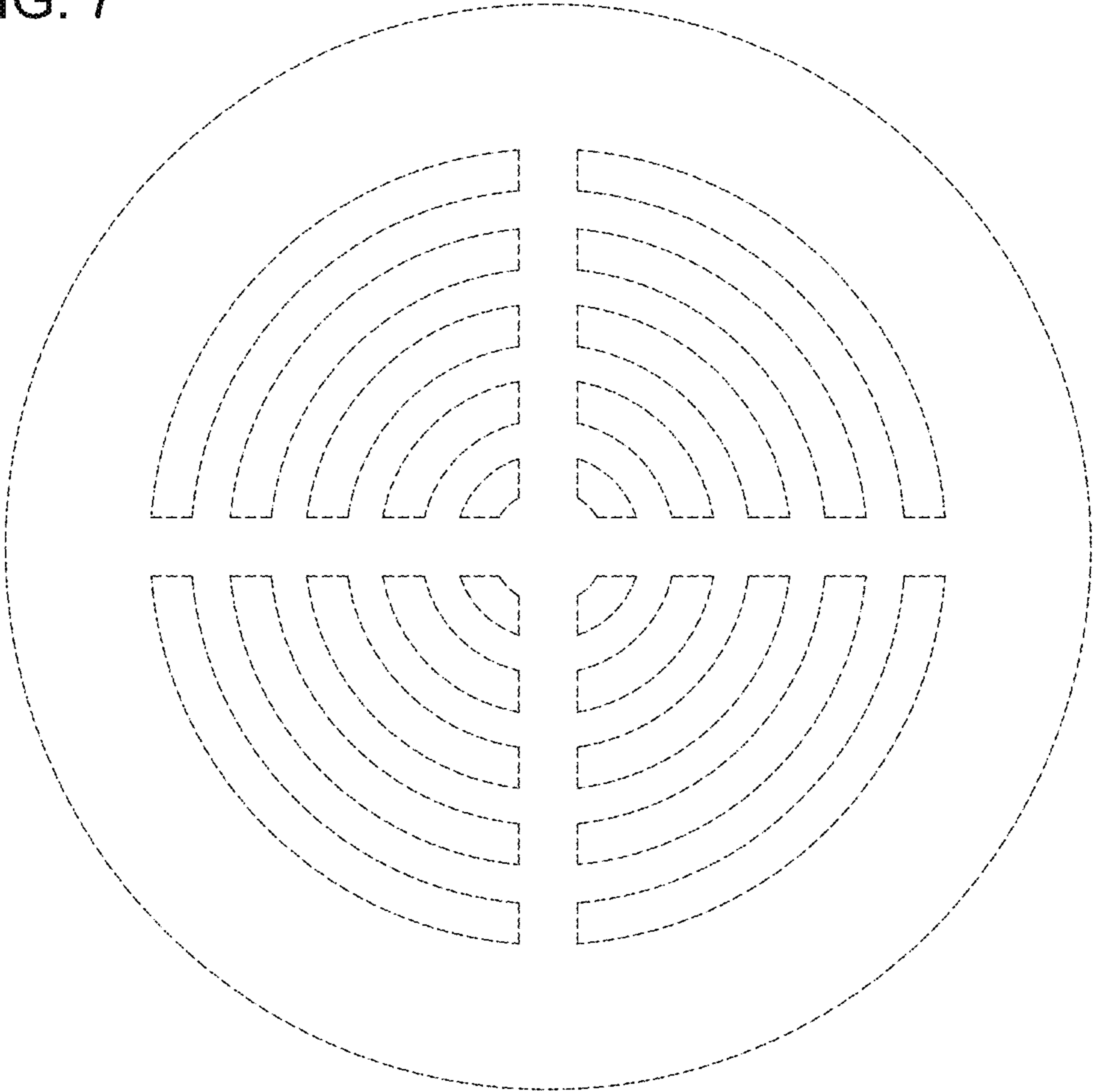


FIG. 8

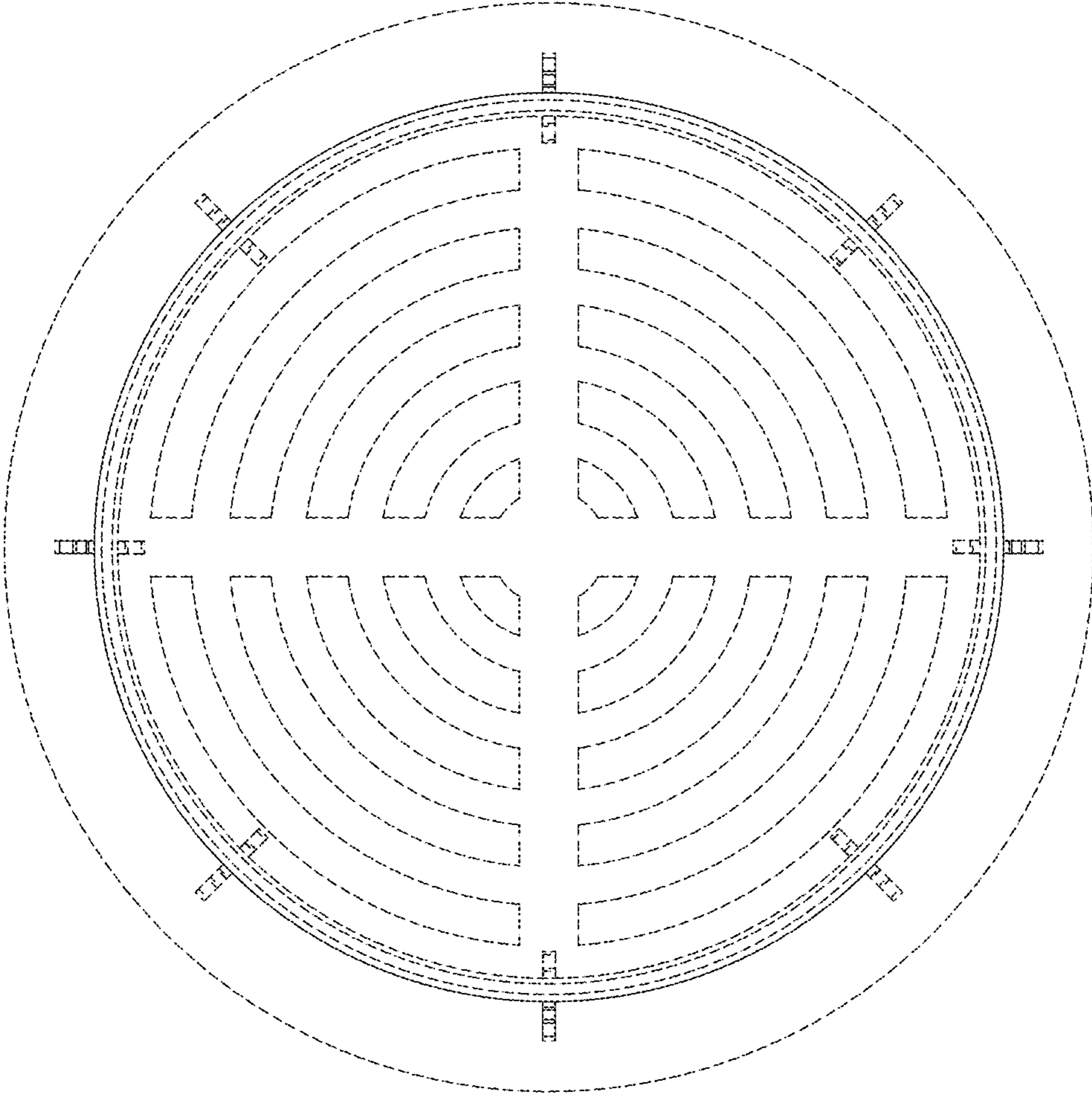


FIG. 9

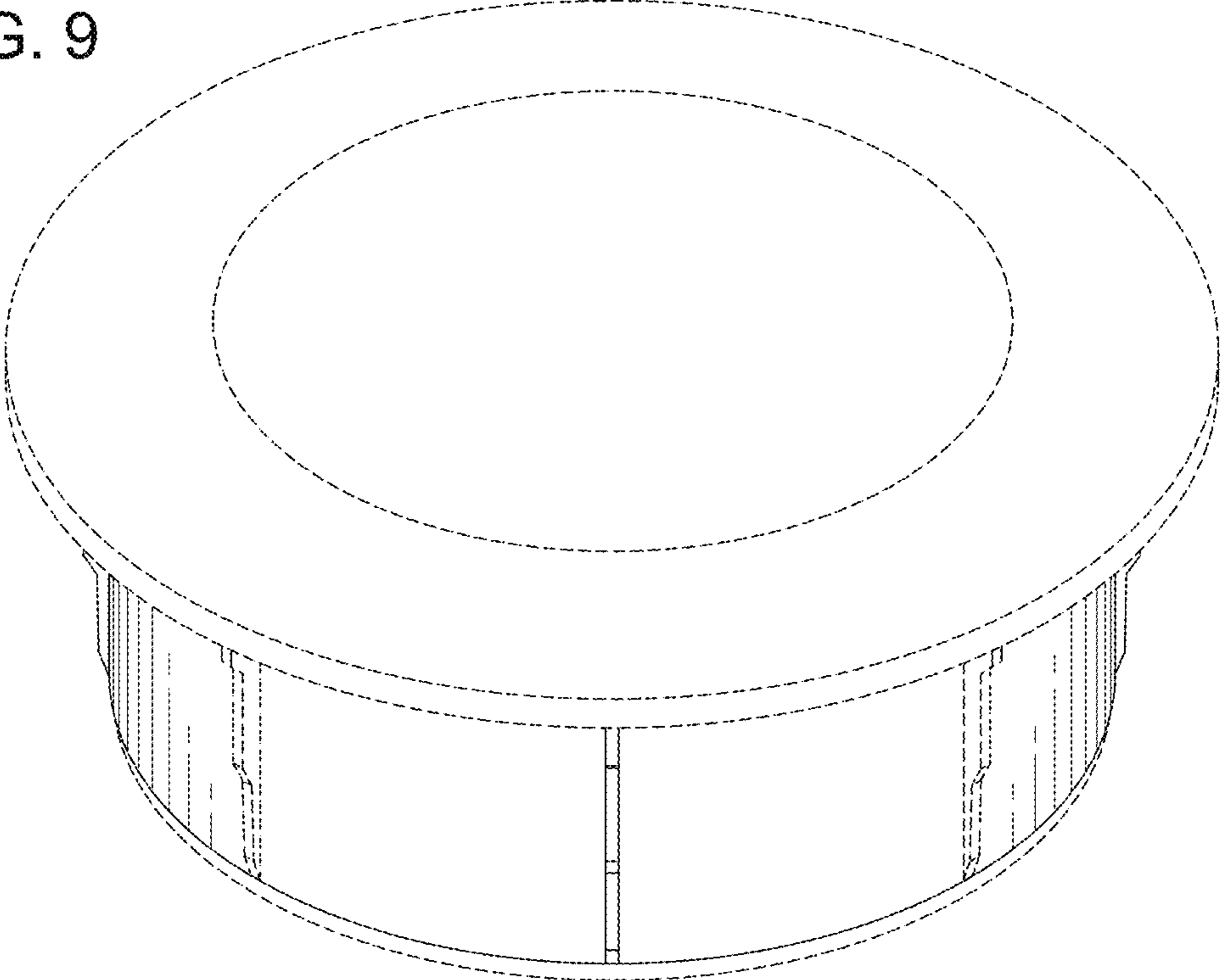


FIG. 10

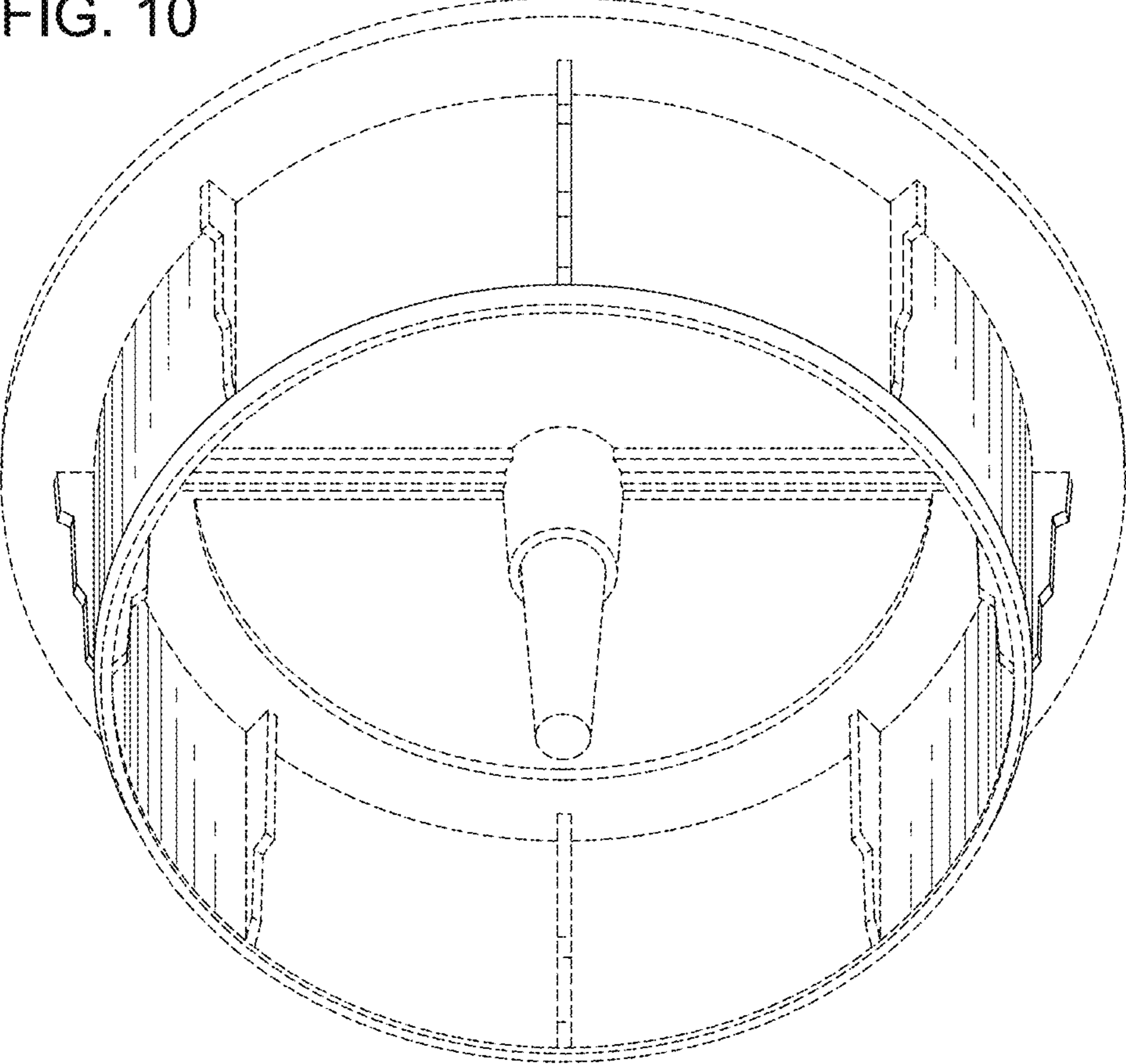


FIG. 11

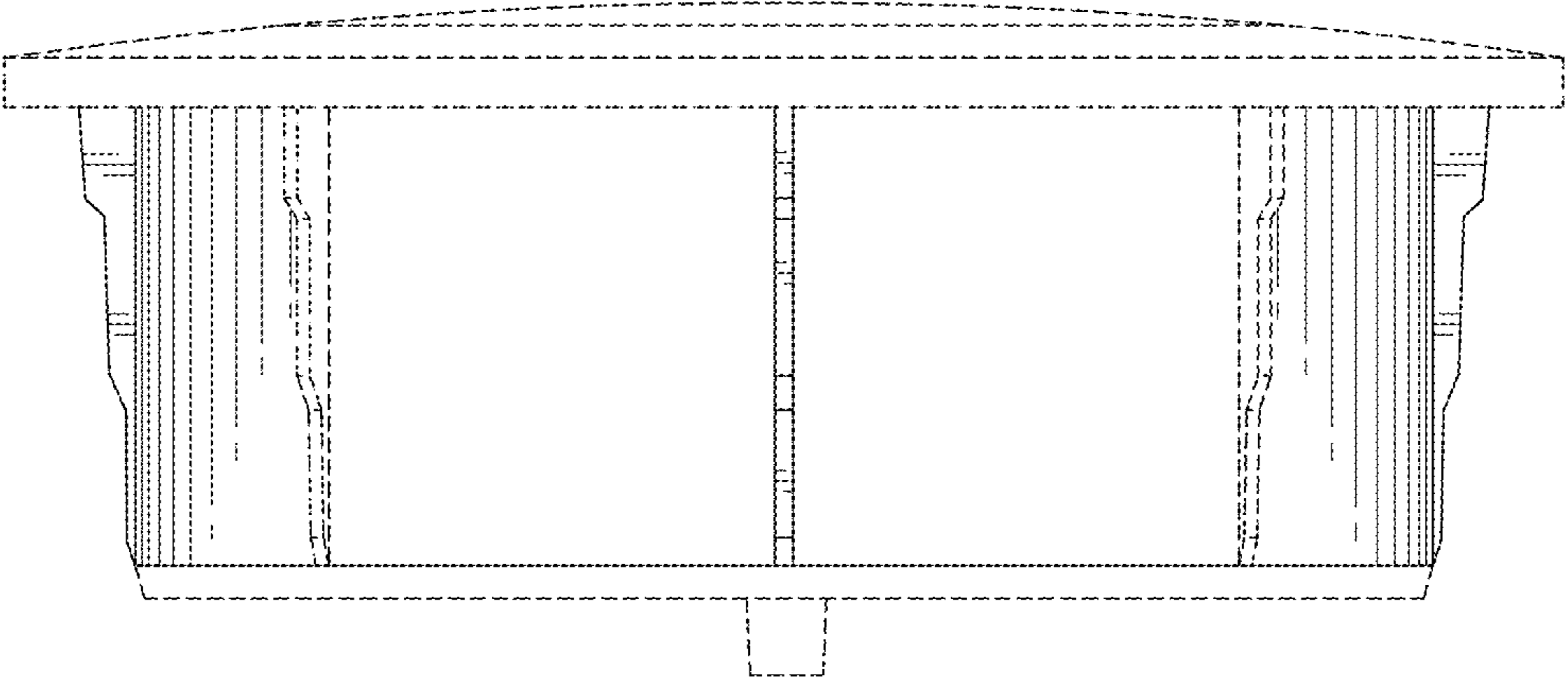


FIG. 12

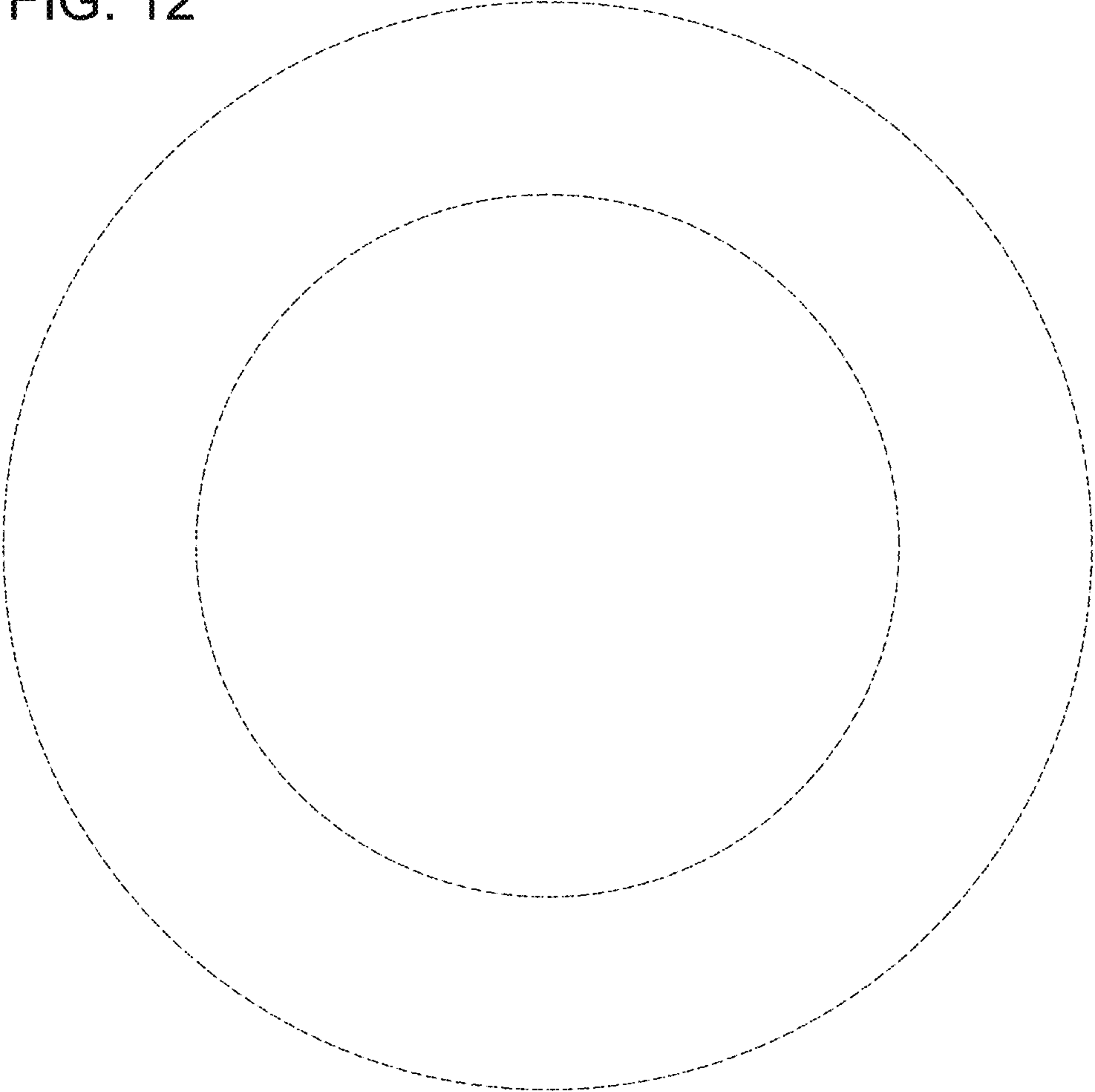




FIG. 13

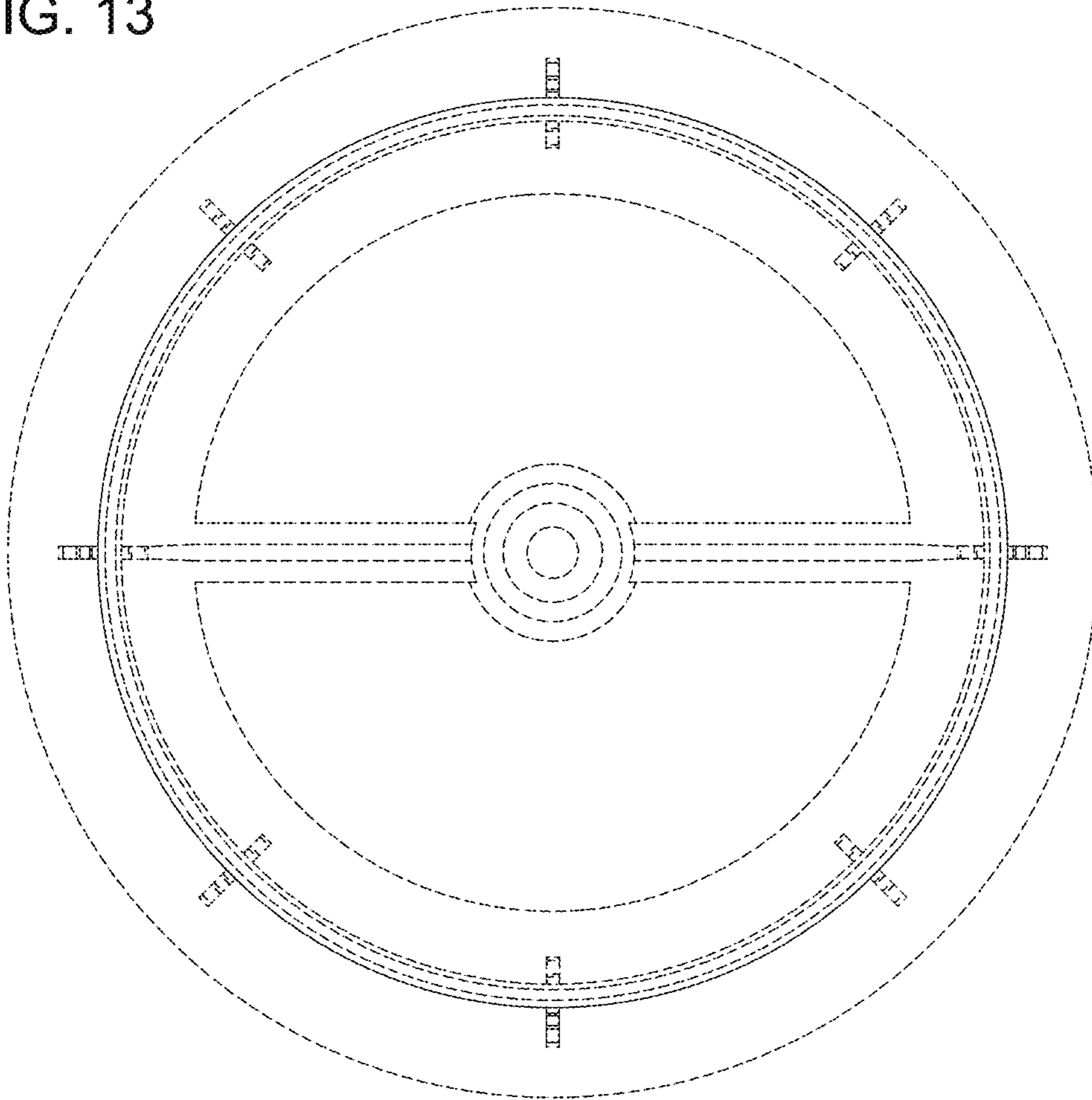


FIG. 14

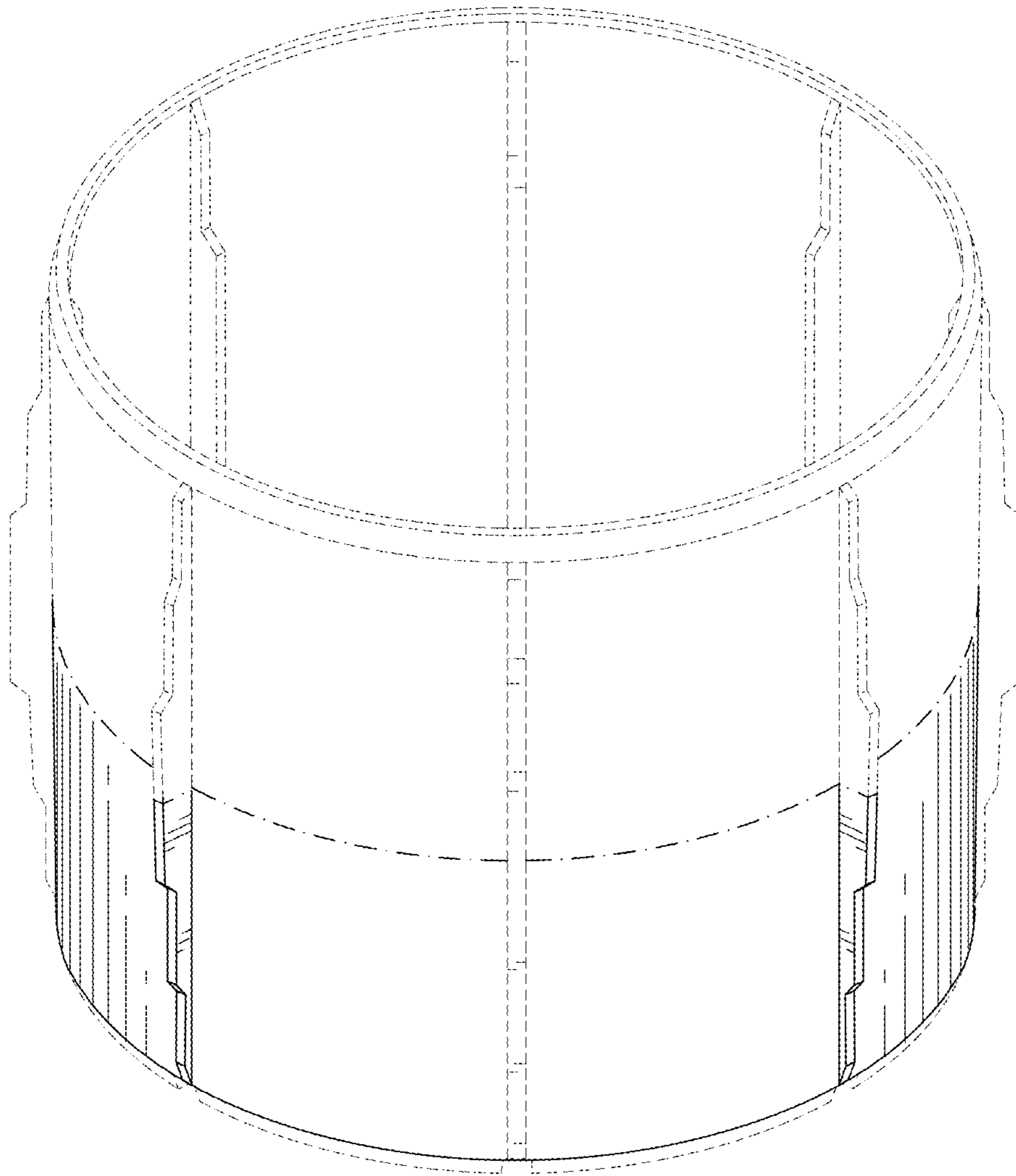


FIG. 15

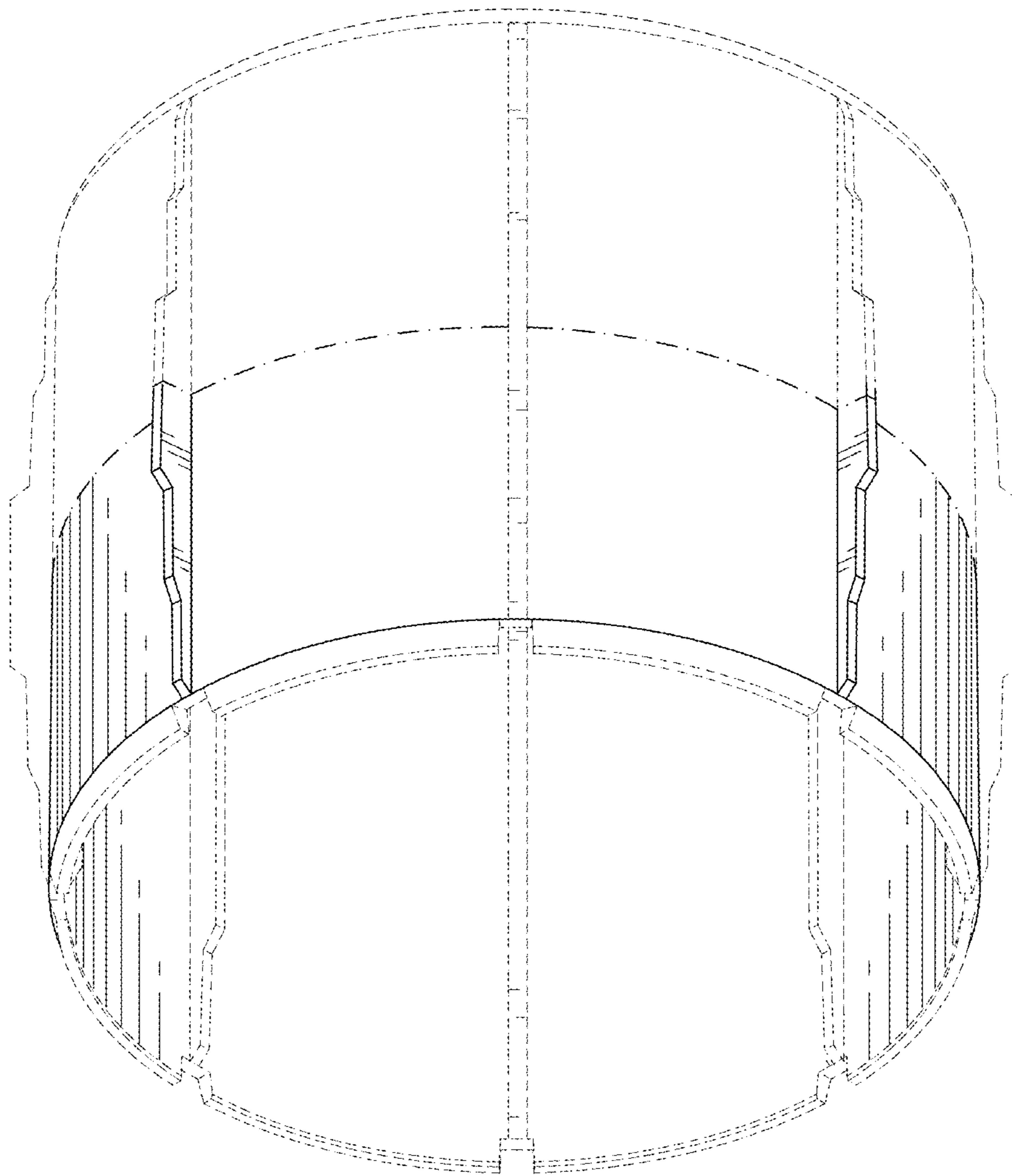


FIG. 16

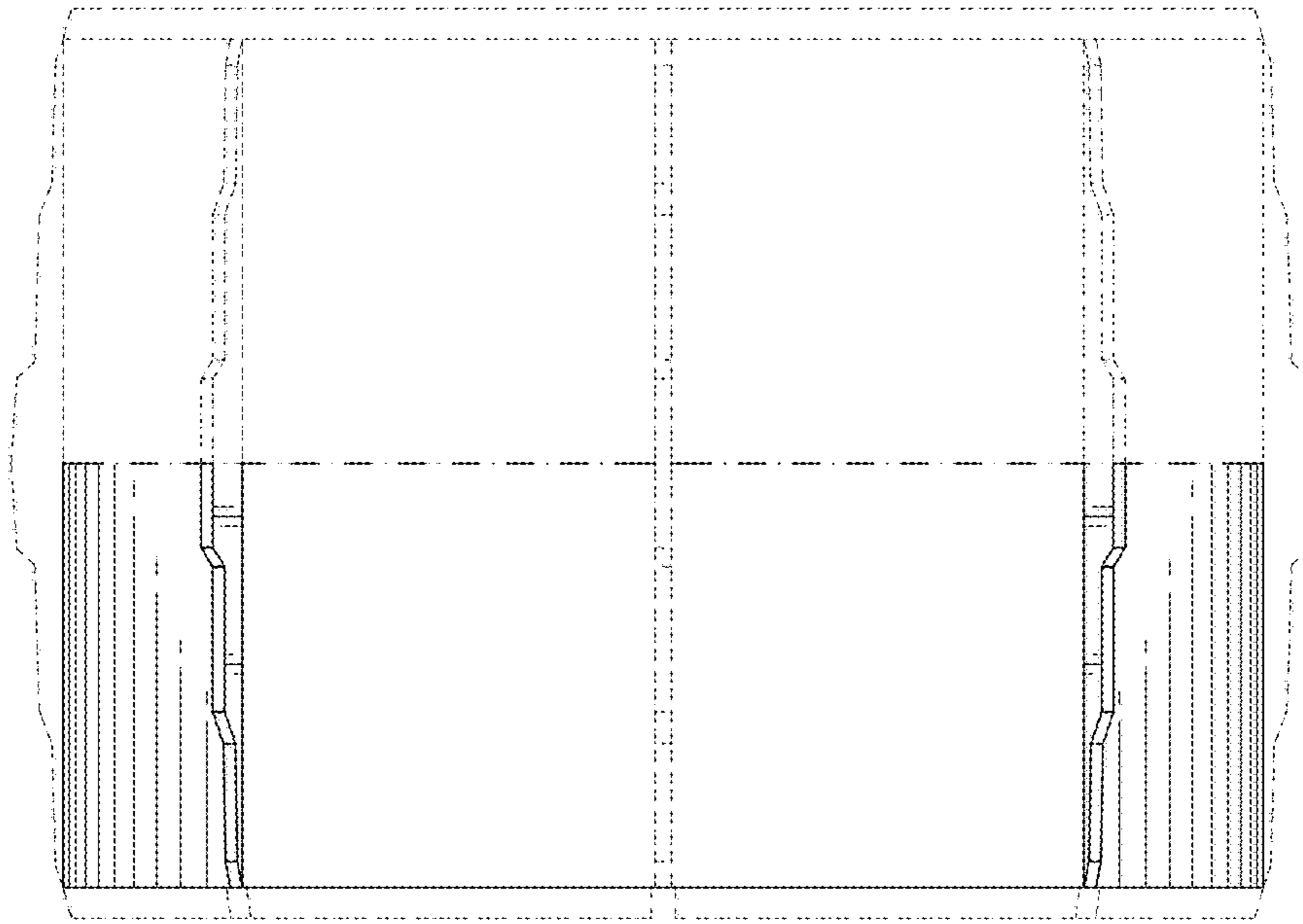


FIG. 17

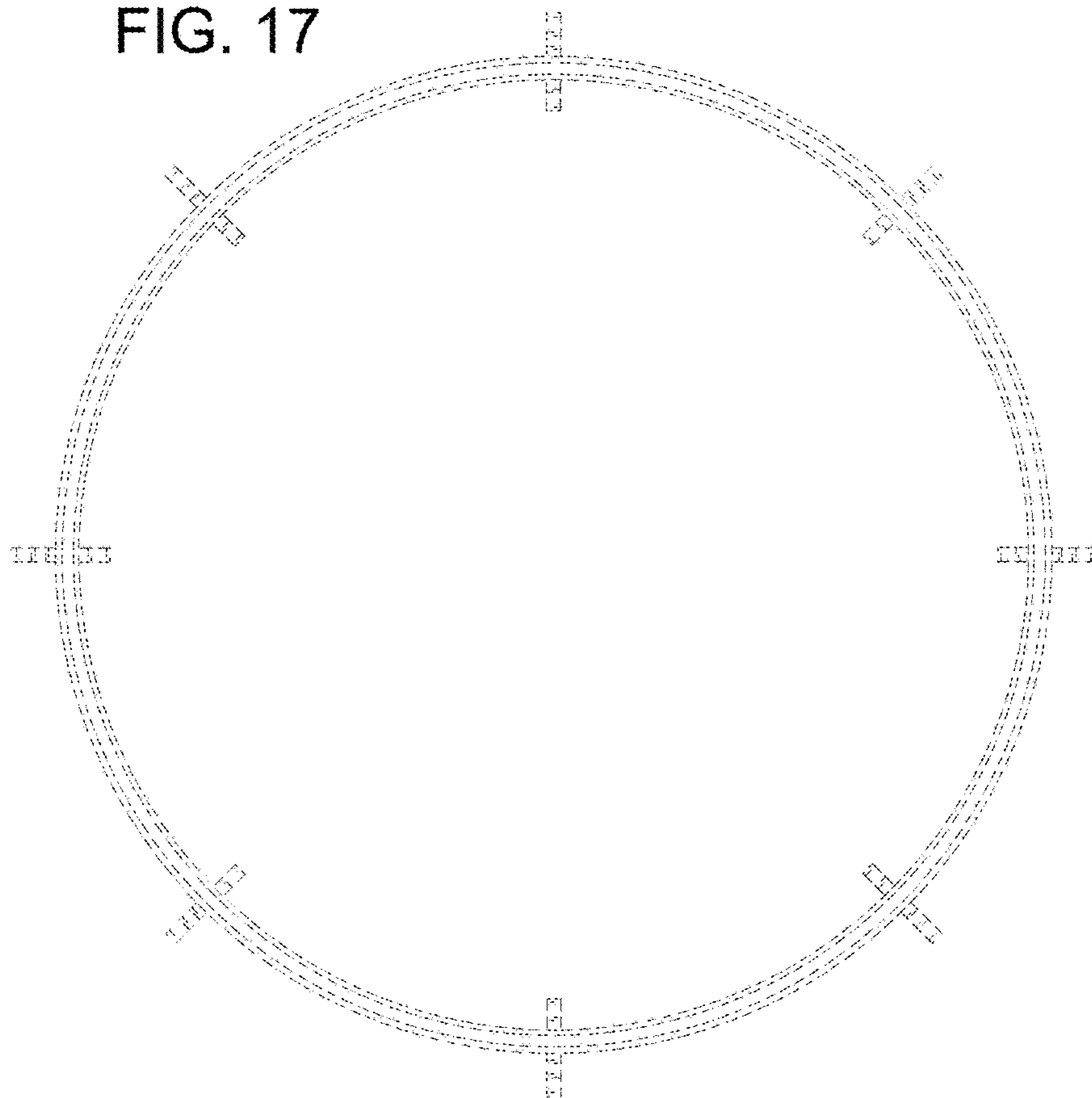


FIG. 18

