



US00D790670S

(12) **United States Design Patent**  
**Downey**

(10) **Patent No.:** **US D790,670 S**  
(45) **Date of Patent:** **\*\* Jun. 27, 2017**

- (54) **FAUCET**
- (71) Applicant: **Spectrum Brands, Inc.**, Middleton, WI (US)
- (72) Inventor: **David Downey**, Mission Viejo, CA (US)
- (73) Assignee: **Spectrum Brands, Inc.**, Middleton, WI (US)
- (\*\*) Term: **15 Years**
- (21) Appl. No.: **29/558,308**
- (22) Filed: **Mar. 16, 2016**
- (51) **LOC (10) Cl.** ..... **23-01**
- (52) **U.S. Cl.**  
USPC ..... **D23/255**
- (58) **Field of Classification Search**  
USPC ..... D23/238-243, 249, 255, 257  
CPC ..... E03C 1/04; E03C 1/0401; E03C 1/0402;  
E03C 1/0404  
See application file for complete search history.

- D673,651 S \* 1/2013 Uhl ..... D23/238
- D680,195 S 4/2013 Lord
- D684,667 S 6/2013 Yu
- D684,668 S \* 6/2013 Yu ..... D23/242
- D685,060 S \* 6/2013 Yu ..... D23/238
- D687,523 S 8/2013 Garland
- D689,986 S 9/2013 Lord
- D723,138 S 2/2015 Ke

\* cited by examiner

*Primary Examiner* — Robert Delehanty  
(74) *Attorney, Agent, or Firm* — Banner & Witcoff, Ltd.

(57) **CLAIM**

The ornamental design for a faucet, as shown and described.

**DESCRIPTION**

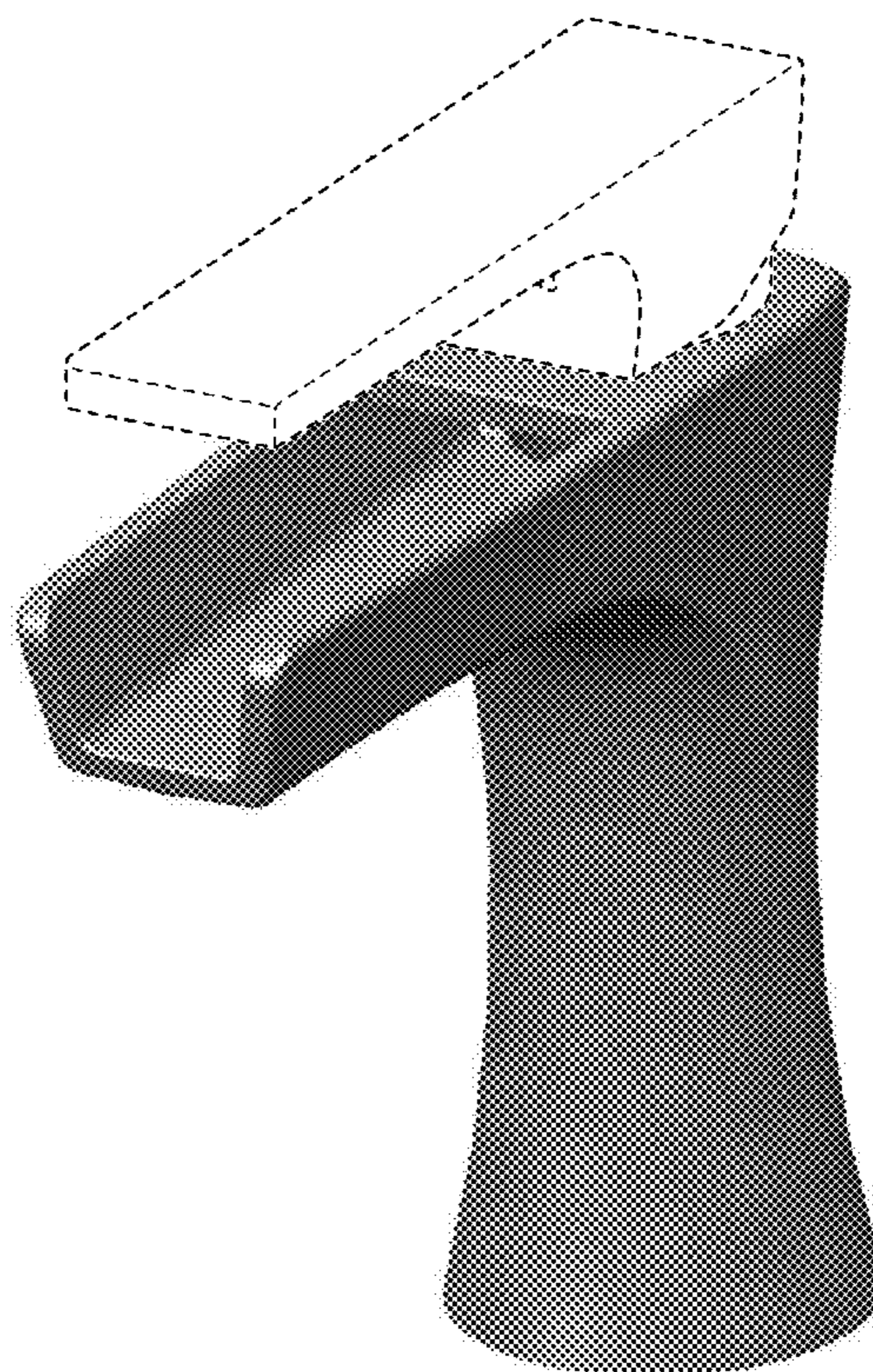
FIG. 1 is a front perspective view of a faucet showing my new design;  
 FIG. 2 is a front view thereof;  
 FIG. 3 is a rear view thereof;  
 FIG. 4 is a right side view thereof;  
 FIG. 5 is a left side view thereof;  
 FIG. 6 is a top view thereof;  
 FIG. 7 is a bottom view thereof; and,  
 FIG. 8 is a cross-sectional view taken through line 8-8 of FIG. 4.  
 The broken line showing of the interior portion of the base in FIG. 7, the circular channel in FIG. 8, and the lever in FIGS. 1-6 is for environmental purposes only and forms no part of the claimed design.

**1 Claim, 6 Drawing Sheets**

(56) **References Cited**

U.S. PATENT DOCUMENTS

- D326,504 S \* 5/1992 Robbins ..... D23/255
- D594,532 S 6/2009 Schoenherr et al.
- D661,781 S \* 6/2012 McClure ..... D23/249



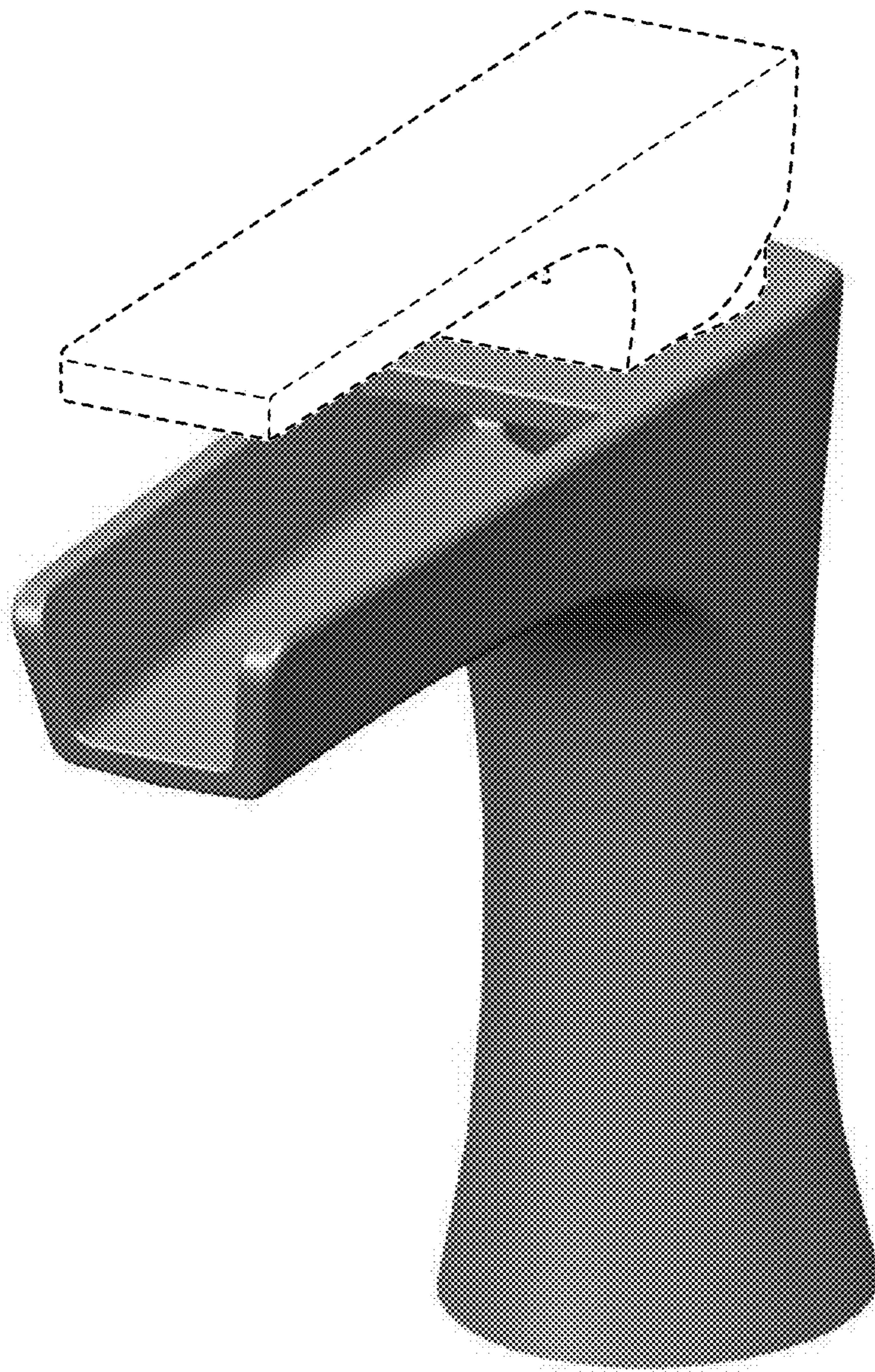


FIG. 1

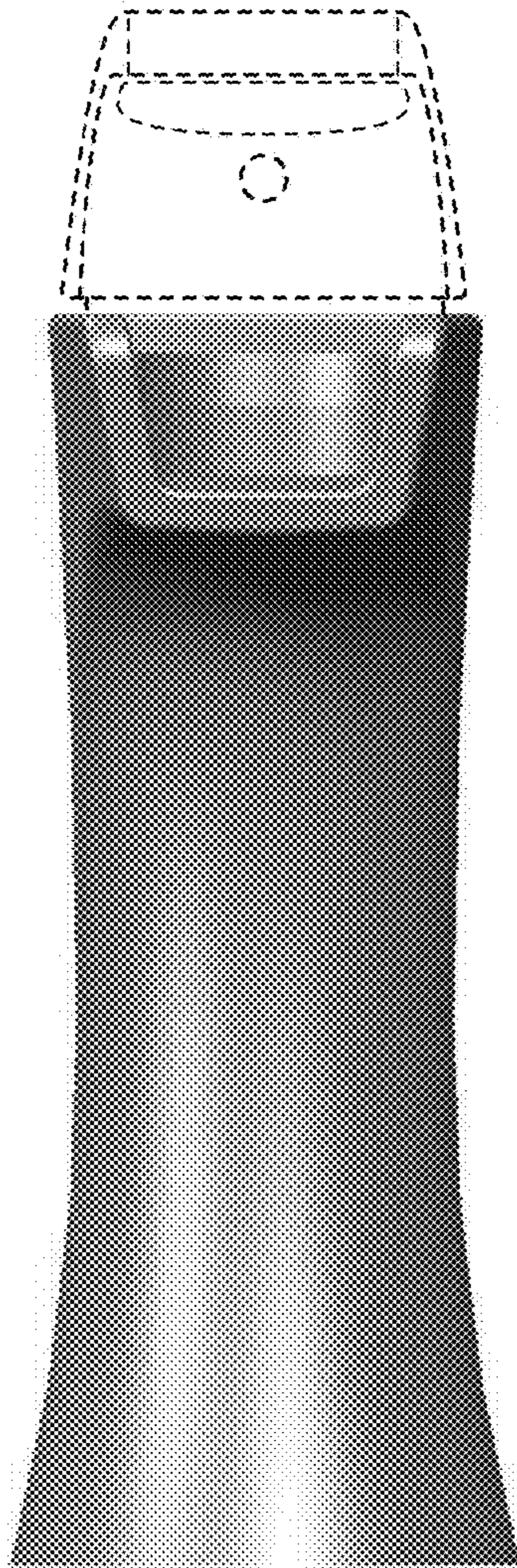


FIG. 2

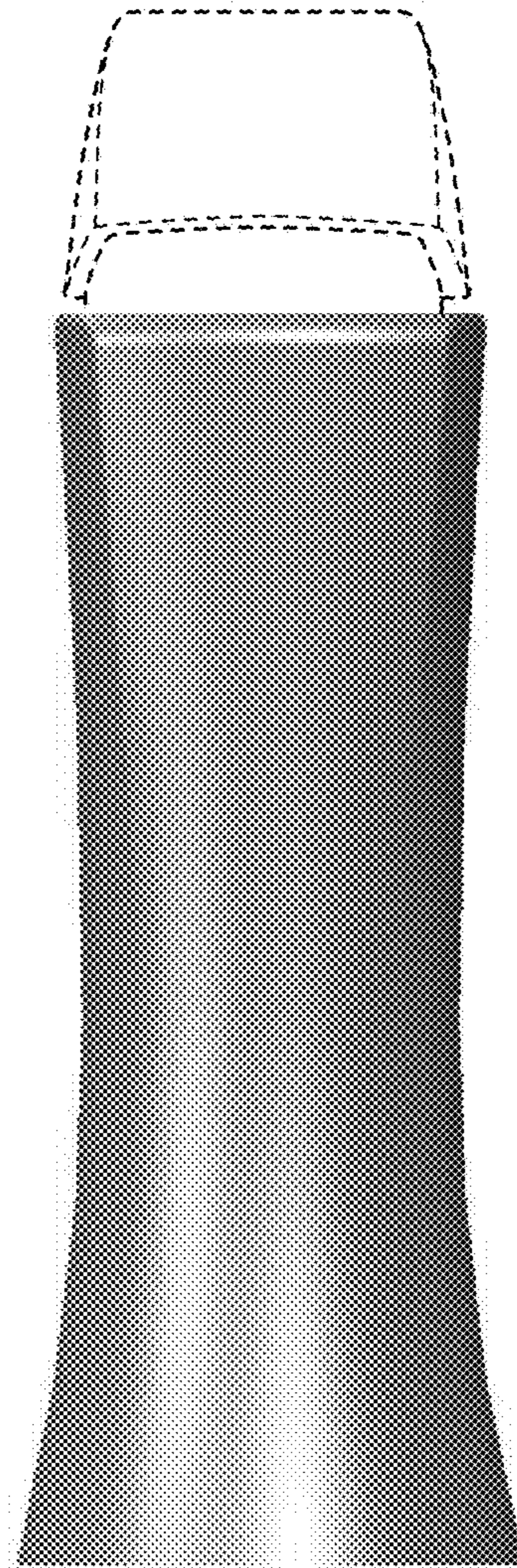


FIG. 3

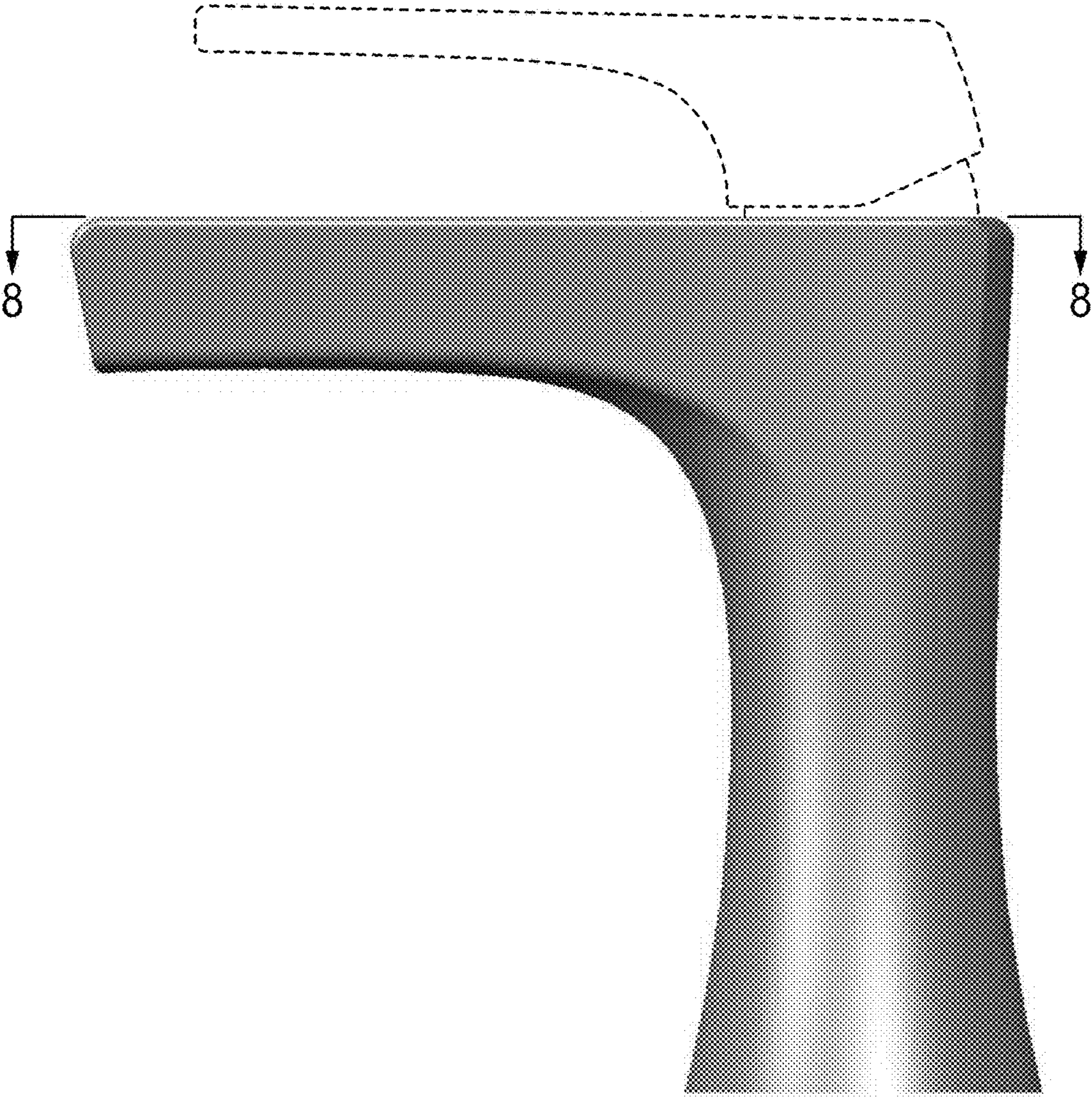


FIG. 4

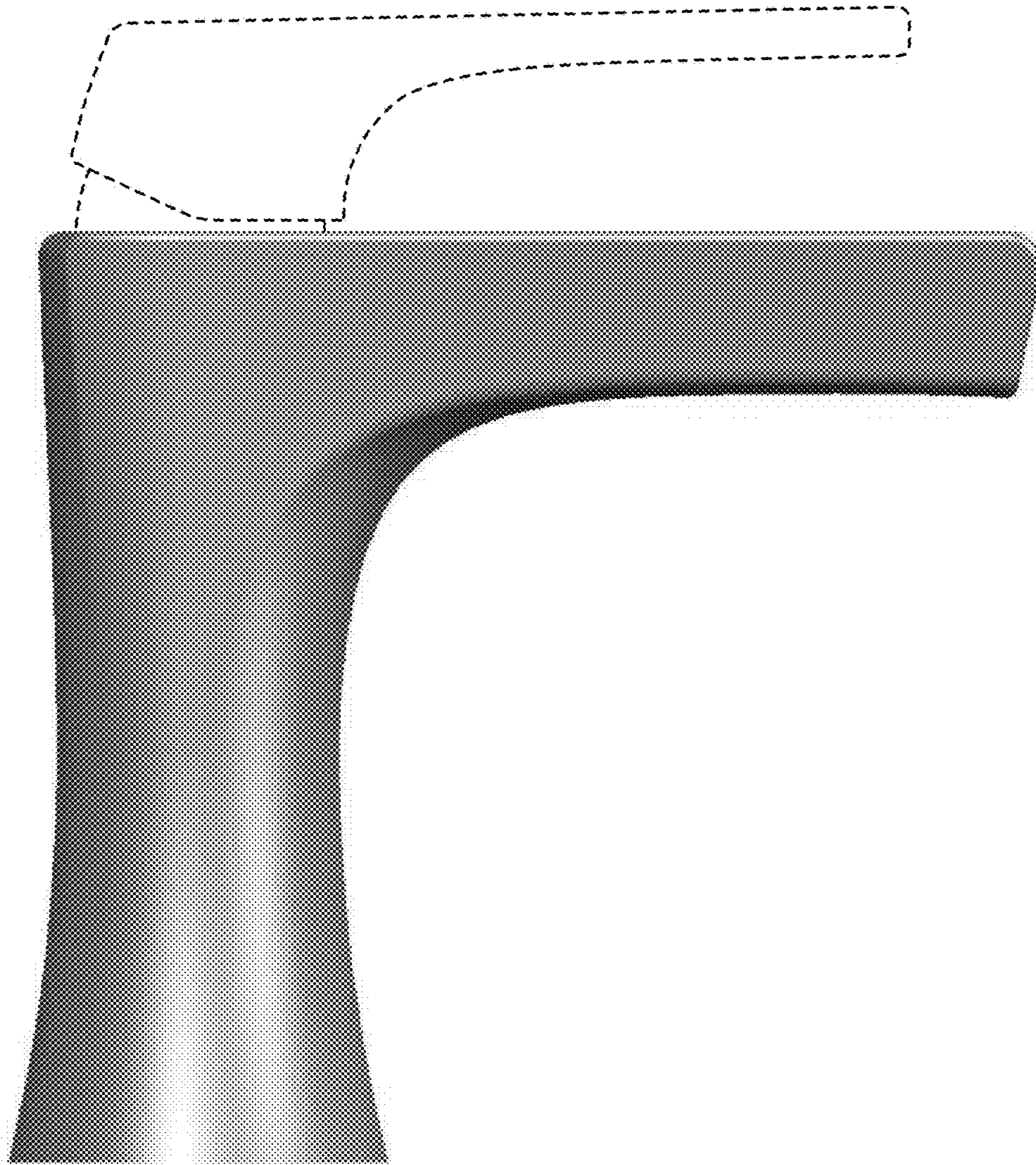


FIG. 5

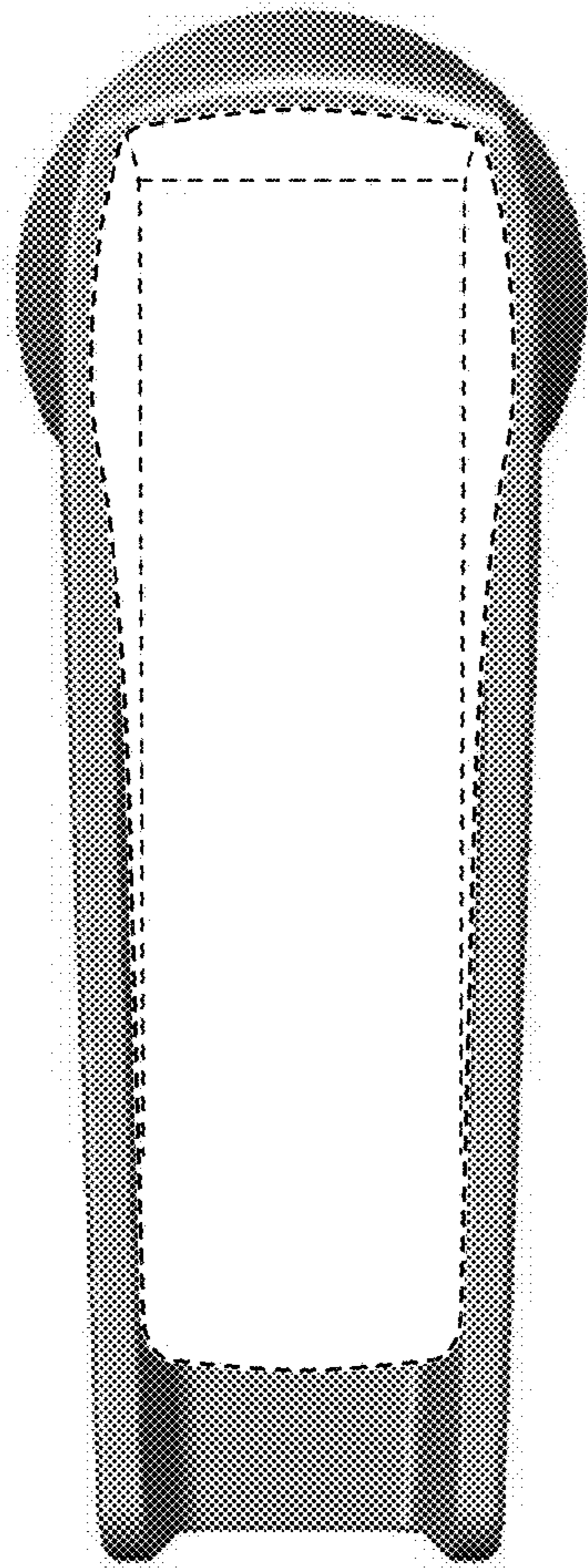


FIG. 6

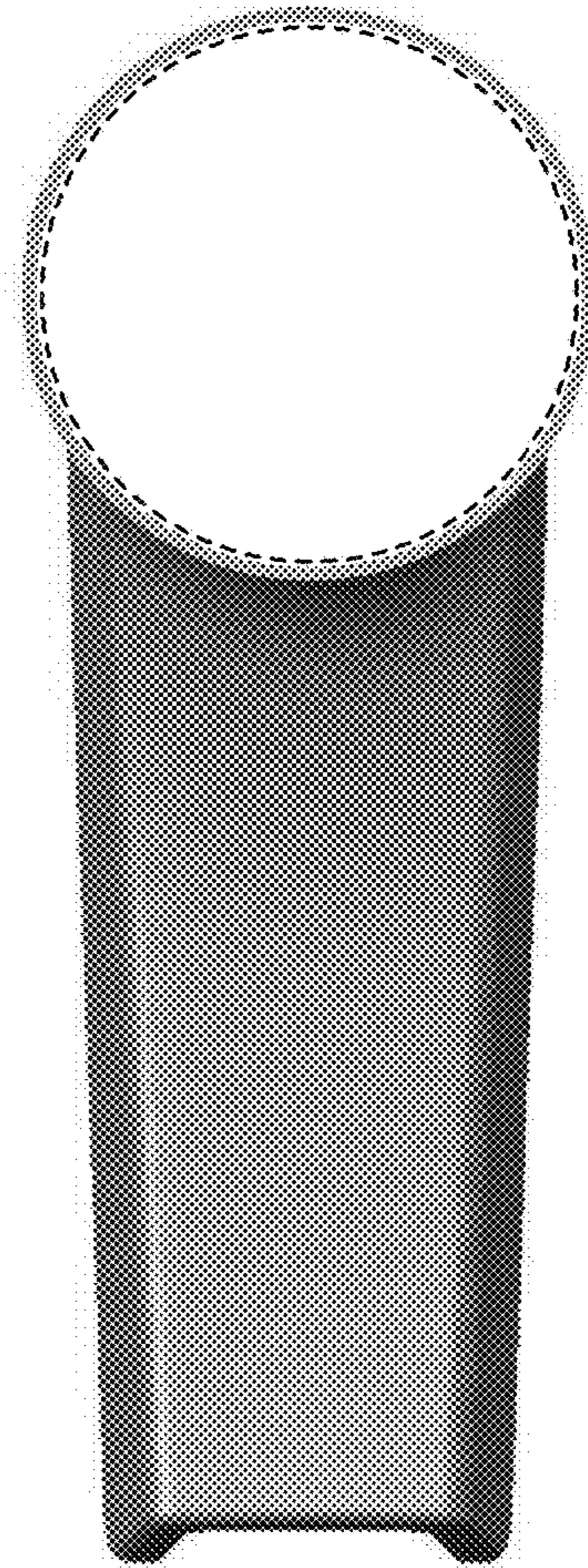


FIG. 7

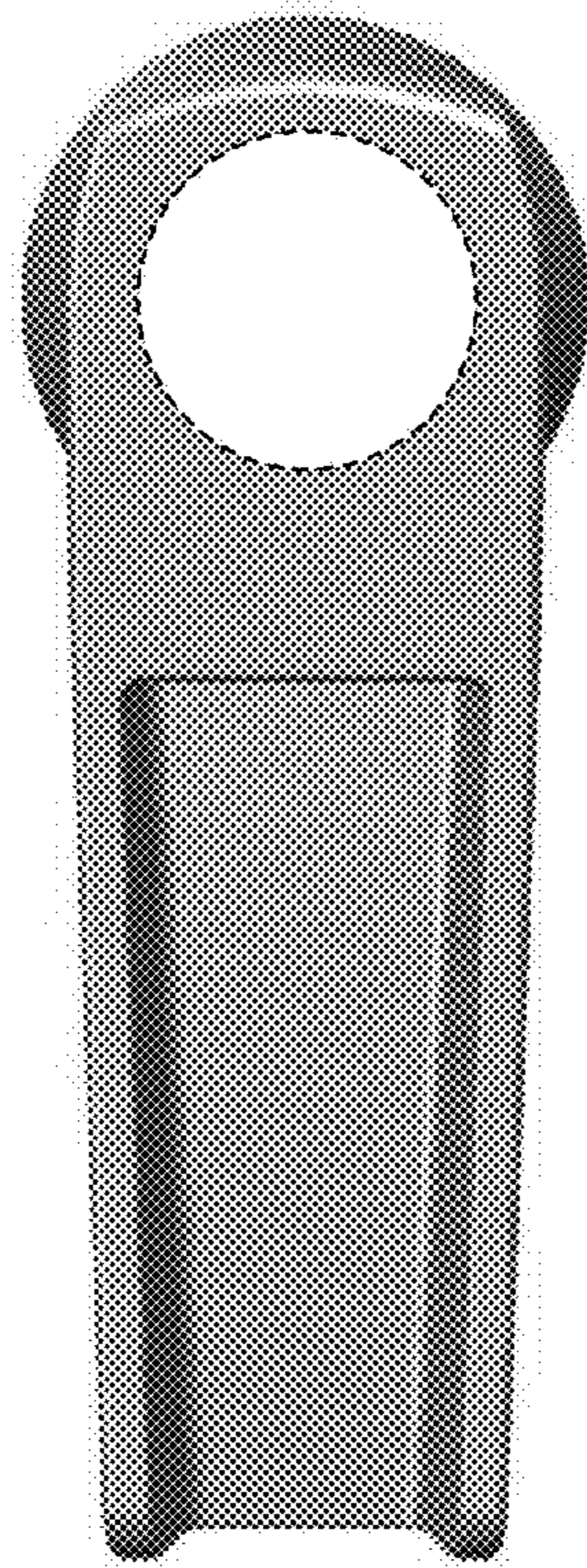


FIG. 8