



US00D790669S

(12) **United States Design Patent** (10) **Patent No.:** **US D790,669 S**
Potter et al. (45) **Date of Patent:** **** Jun. 27, 2017**

(54) **FAUCET SPOUT**

(71) Applicant: **Spectrum Brands, Inc.**, Middleton, WI (US)

(72) Inventors: **Cameron Potter**, Fullerton, CA (US); **Tony Zhang**, Xiamen (CN); **David Downey**, Mission Viejo, CA (US)

(73) Assignee: **Spectrum Brands, Inc.**, Middleton, WI (US)

(**) Term: **15 Years**

(21) Appl. No.: **29/546,524**

(22) Filed: **Nov. 23, 2015**

(51) **LOC (10) Cl.** **23-01**

(52) **U.S. Cl.**
USPC **D23/255**

(58) **Field of Classification Search**
USPC D23/238–243, 249, 255, 257
CPC E03C 1/04; E03C 1/0401; E03C 1/0402; E03C 1/0404
See application file for complete search history.

(56) **References Cited**

U.S. PATENT DOCUMENTS

D401,673 S	11/1998	Steffes	
D520,116 S	5/2006	Koury et al.	
D577,422 S	9/2008	Williams	
D579,082 S	10/2008	Yuan	
D582,013 S	12/2008	Yuan	
D587,786 S	3/2009	Williams	
D607,975 S	1/2010	Schoenherr et al.	
D608,859 S	1/2010	Schoenherr et al.	
D609,788 S	2/2010	Schoenherr et al.	
D618,311 S *	6/2010	Gao	D23/255
D622,817 S	8/2010	Painter	
D625,392 S	10/2010	Kulig	

D681,169 S *	4/2013	Liao	D23/242
D732,144 S *	6/2015	Bahler	D23/257
D755,933 S *	5/2016	Lord	D23/255
D773,615 S *	12/2016	Potter	D23/242

FOREIGN PATENT DOCUMENTS

CA	107220	12/2005
CA	106783 S	8/2007
CA	114806 S	3/2008
CA	135283	12/2010
CA	140426 S	12/2011
CA	145103 S	11/2012
CA	145107 S	11/2012
CA	146185 S	4/2013
CA	146186 S	4/2013
CA	146187 S	4/2013
CA	147463 S	4/2013
CA	145776 S	6/2013
CA	157407 S	2/2015

(Continued)

Primary Examiner — Robert Delehanty

(74) *Attorney, Agent, or Firm* — Banner & Witcoff, Ltd.

(57) **CLAIM**

The ornamental design for a faucet spout, as shown and described.

DESCRIPTION

FIG. 1 is a front perspective view of a faucet spout showing our new design;

FIG. 2 is a front view thereof;

FIG. 3 is a rear view thereof;

FIG. 4 is a right side view thereof;

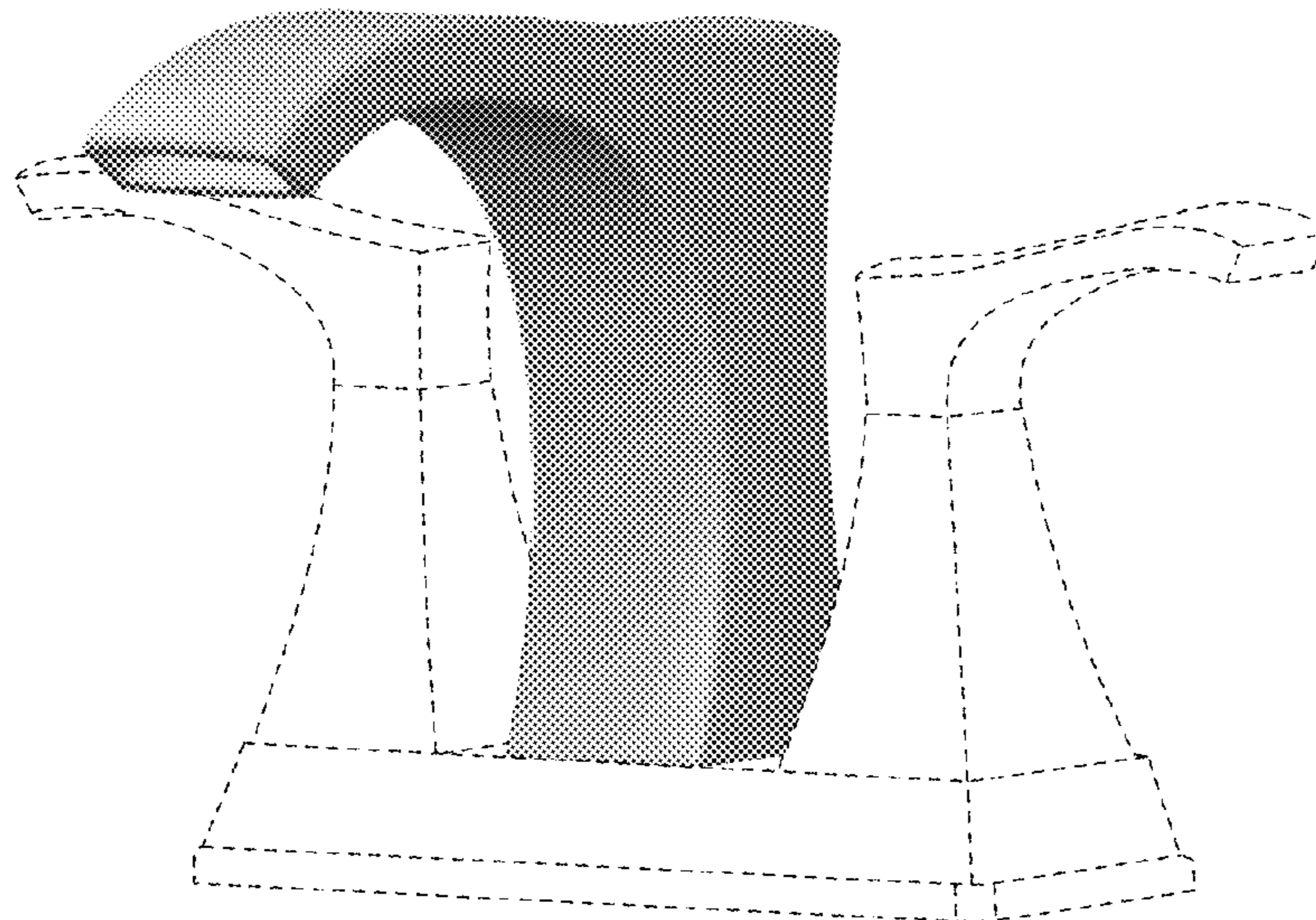
FIG. 5 is a left side view thereof;

FIG. 6 is a top view thereof; and,

FIG. 7 is a bottom view thereof.

The broken line showing of the remainder of the faucet is for environmental purposes only and forms no part of the claimed design.

1 Claim, 4 Drawing Sheets



(56)

References Cited

FOREIGN PATENT DOCUMENTS

CA	158257 S	4/2015
CA	158262 S	4/2015
CA	158401 S	4/2015
CA	157658 S	7/2015
CA	158725 S	8/2015
EM	001625252-0001	10/2009
EM	001273031-0115	4/2011
EM	001336481-0075	7/2012
EM	001336481-0095	7/2012
EM	001336481-0092	9/2012
EM	001387799-0002	10/2013

* cited by examiner

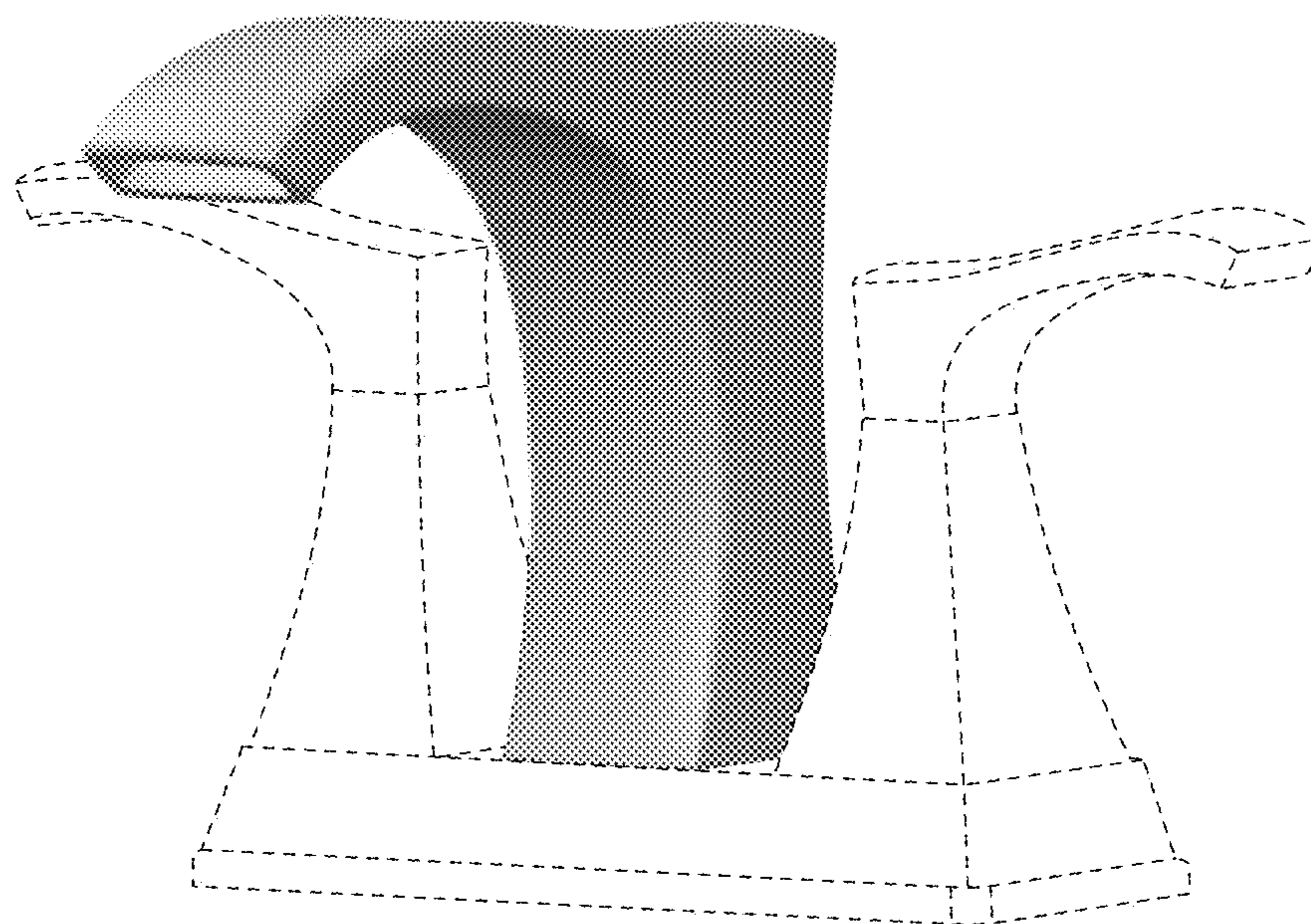


FIG. 1

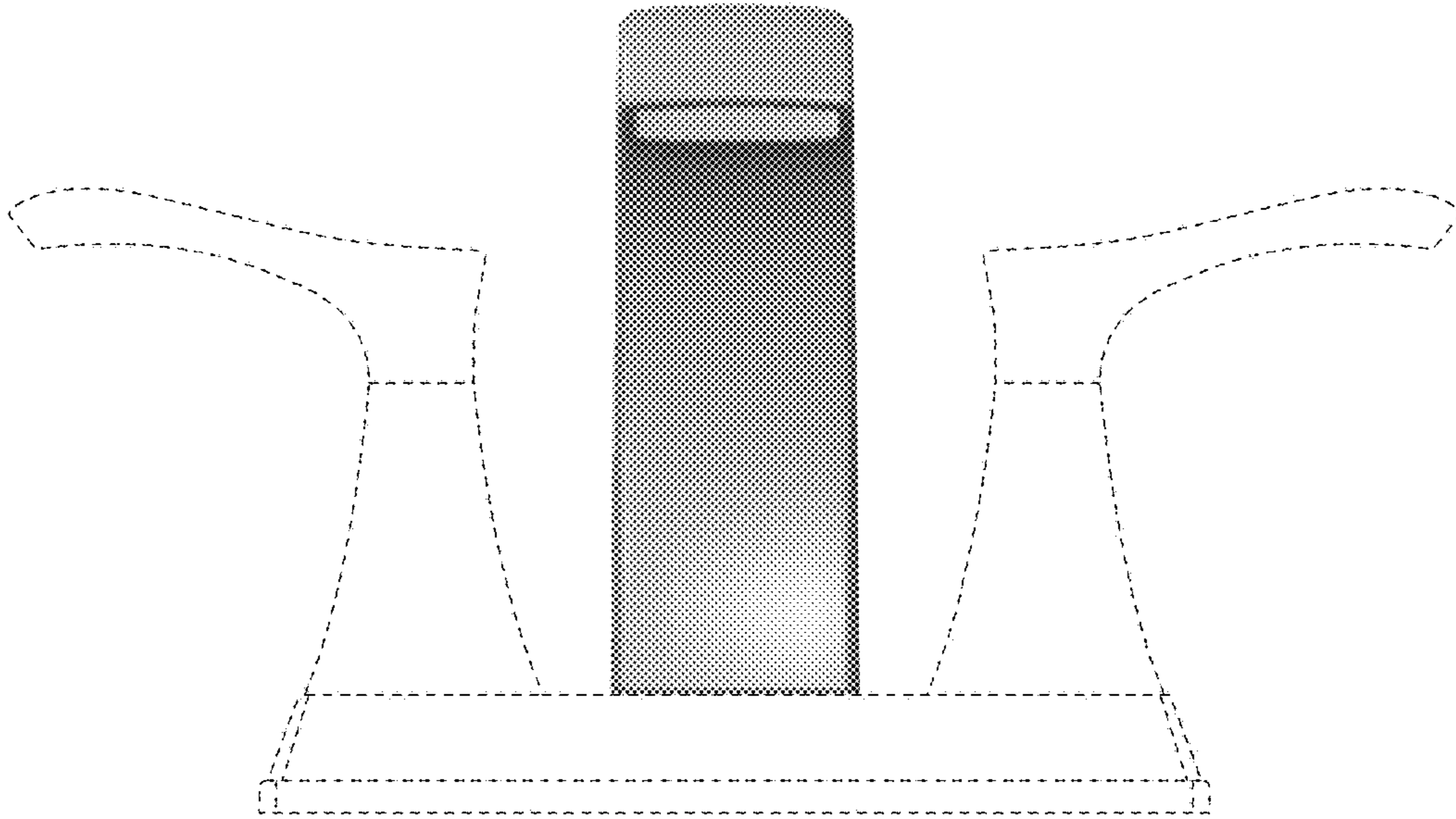


FIG. 2

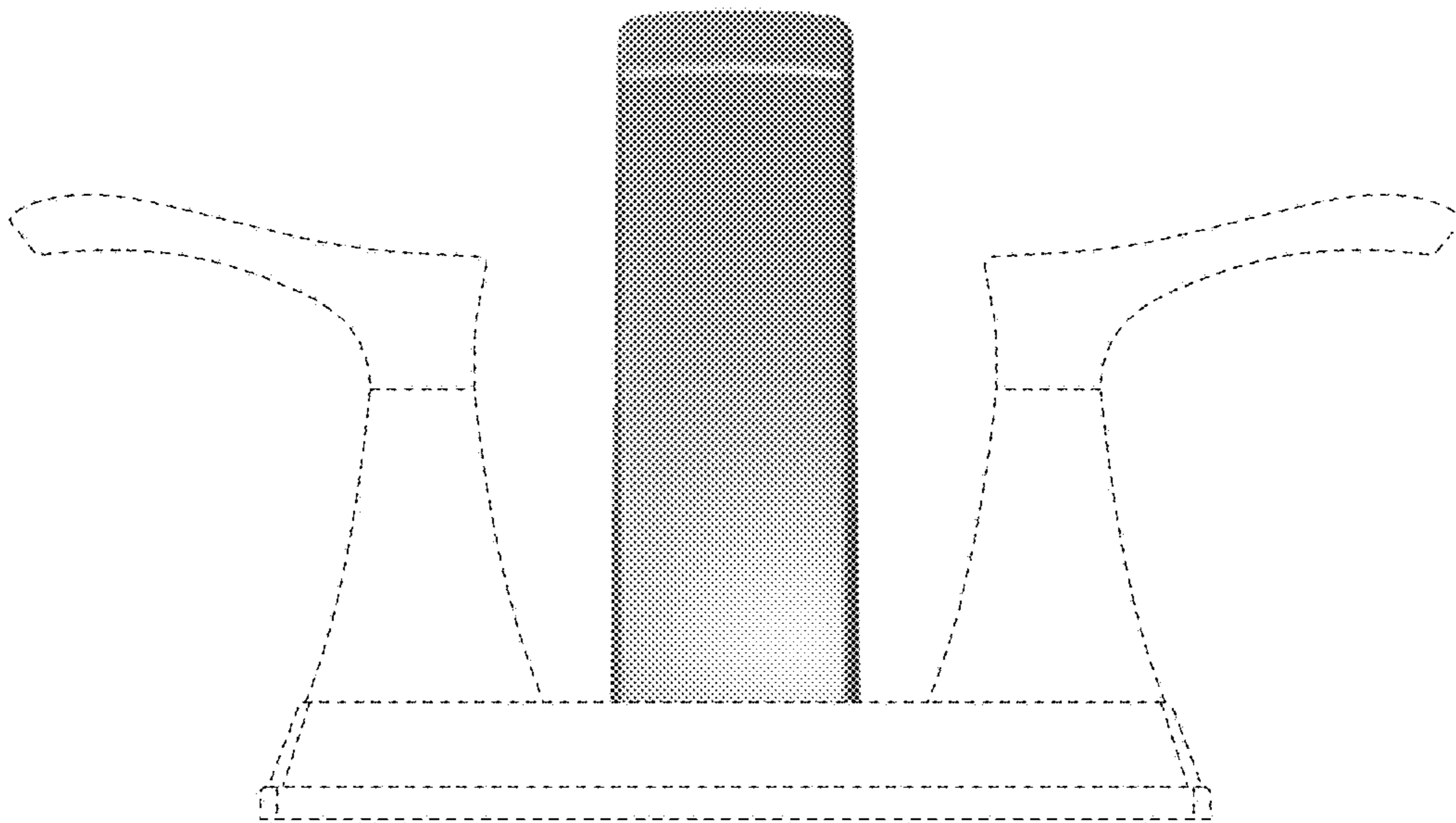


FIG. 3

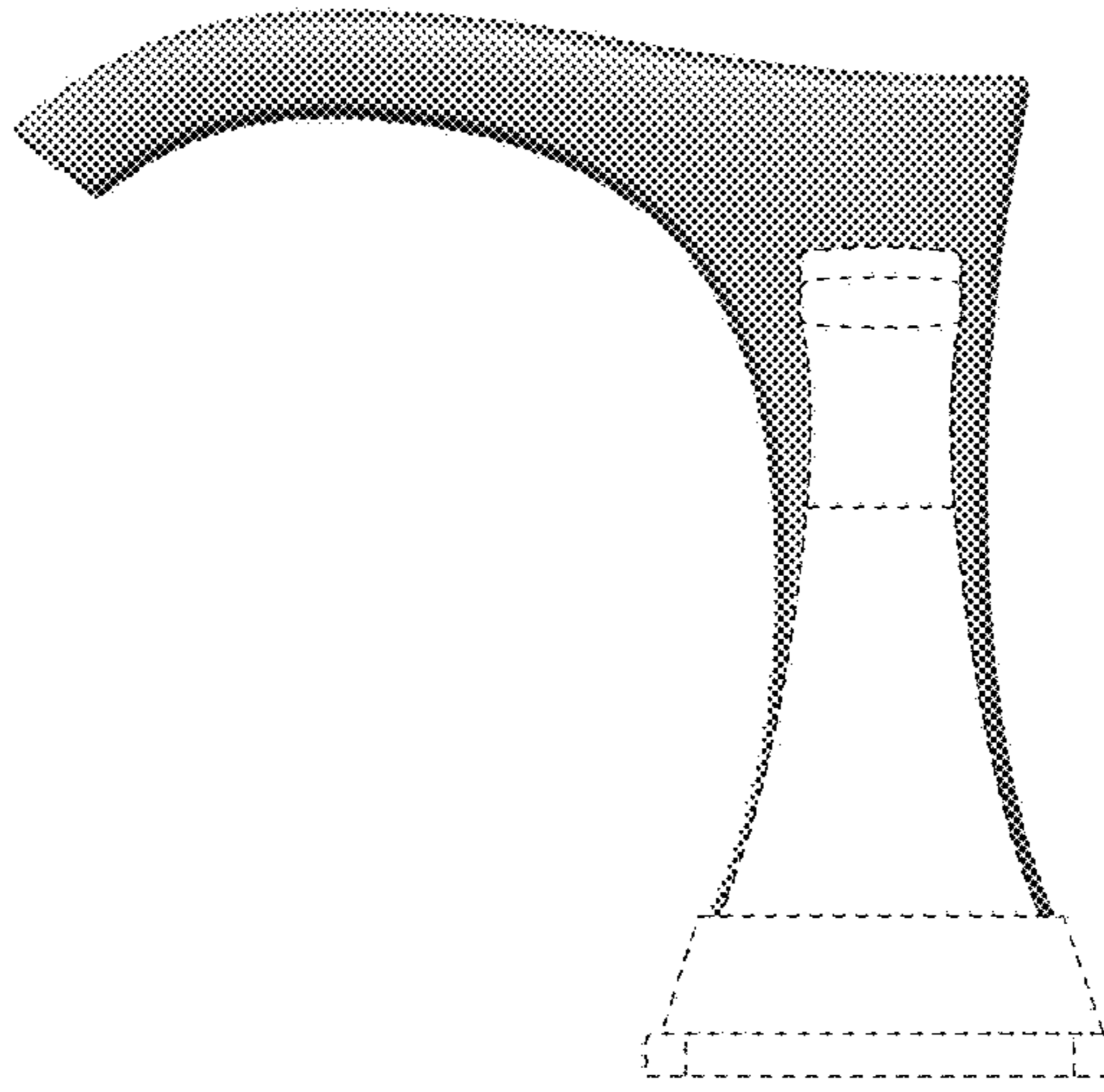


FIG. 4

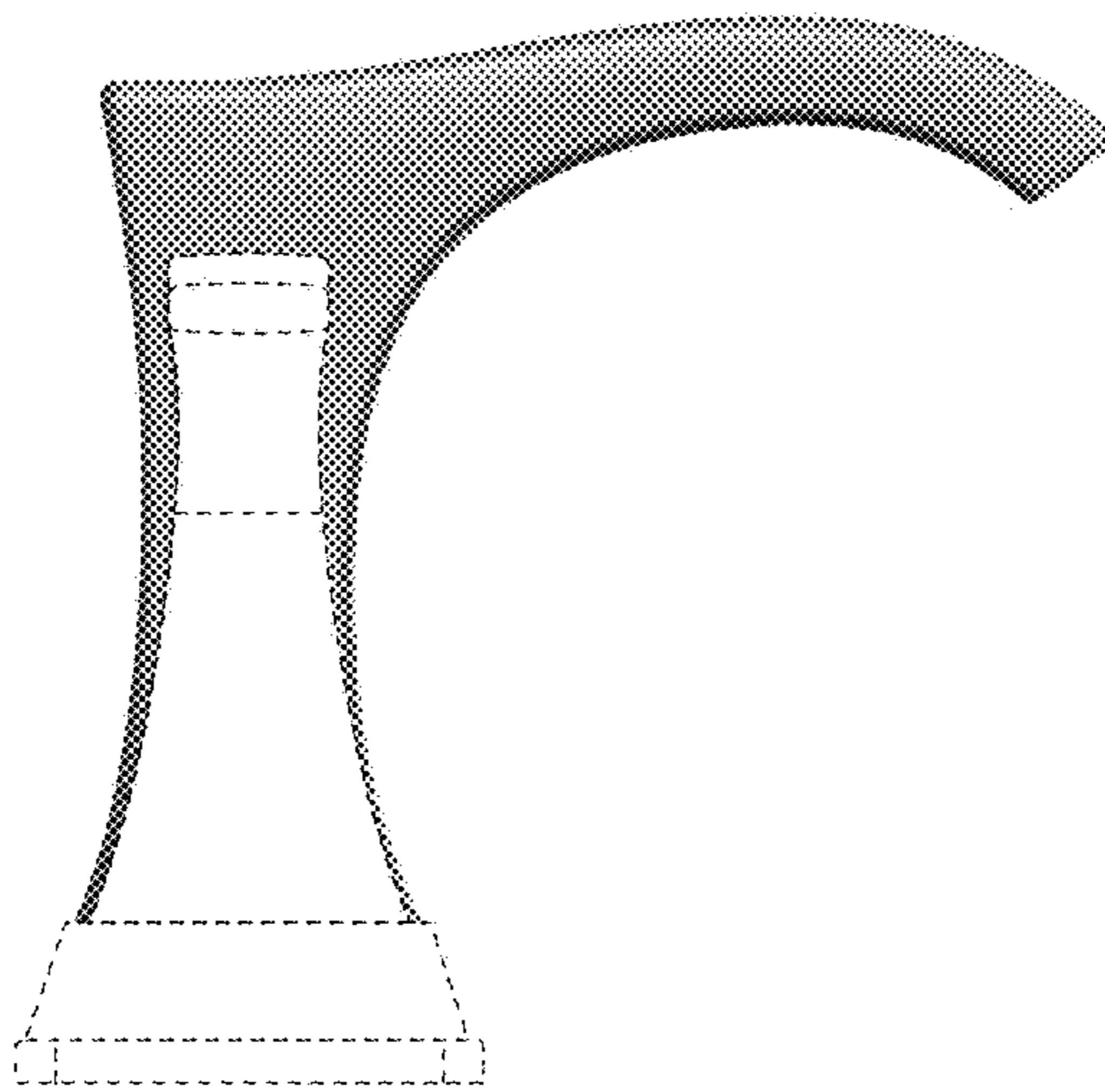


FIG. 5

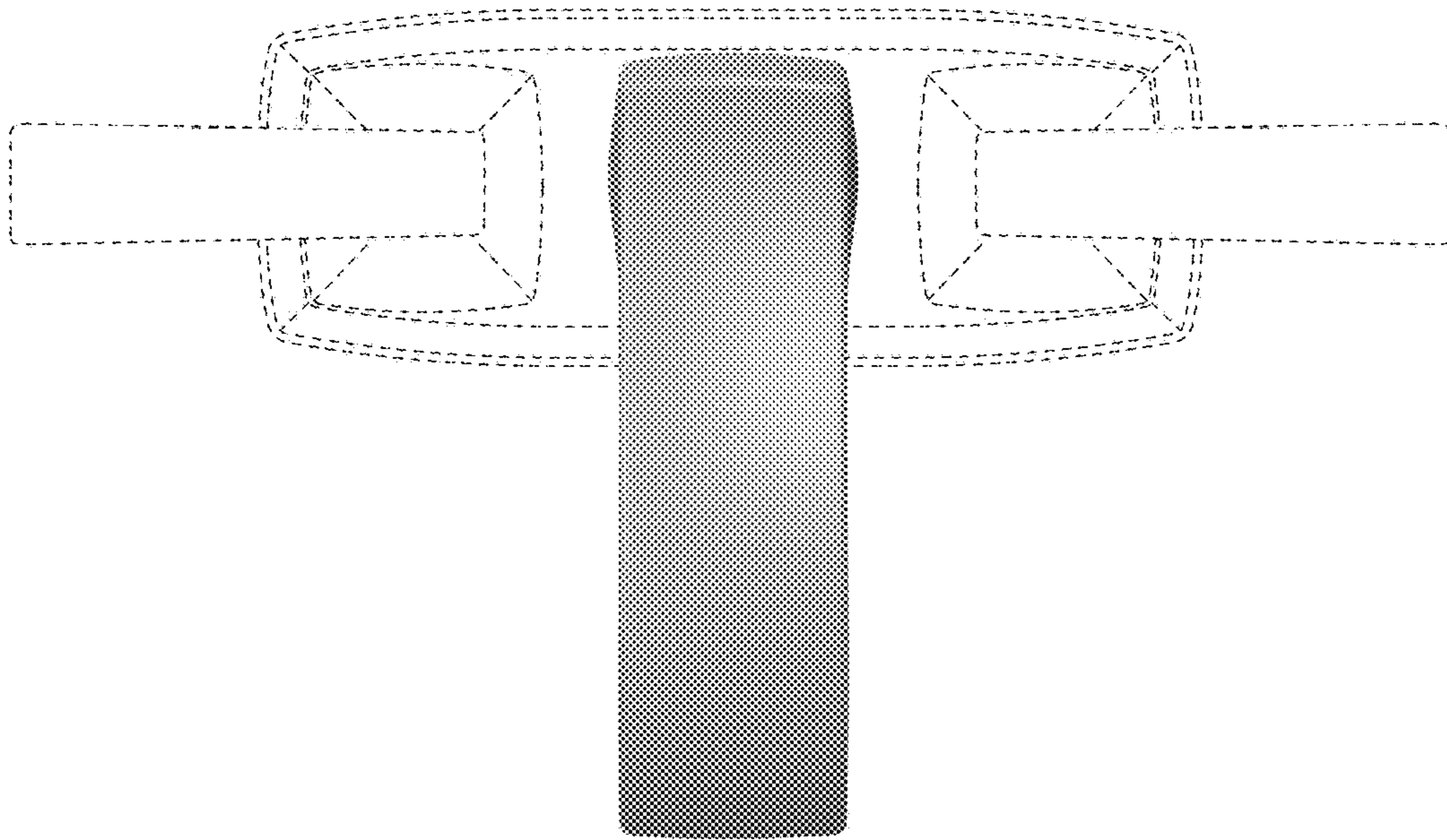


FIG. 6

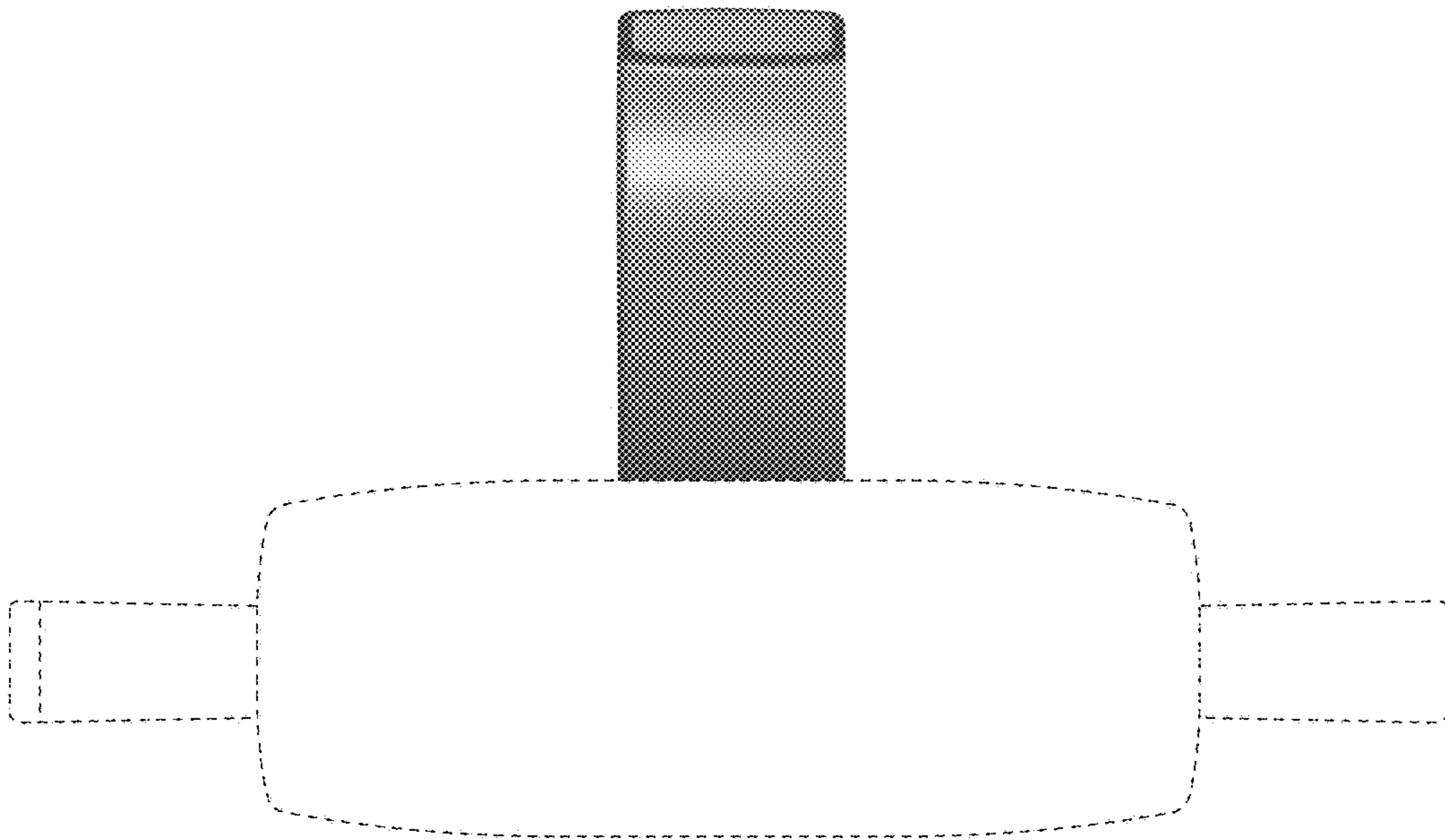


FIG. 7