

US00D790665S

(12) **United States Design Patent** (10) **Patent No.:** **US D790,665 S**
Spangler (45) **Date of Patent:** **** Jun. 27, 2017**

(54) **SHOWER SYSTEM**

(56) **References Cited**

(71) Applicant: **DELTA FAUCET COMPANY**,
Indianapolis, IN (US)

U.S. PATENT DOCUMENTS

(72) Inventor: **Anthony Spangler**, Indianapolis, IN
(US)

D540,925 S *	4/2007	Garner	D23/304
D615,623 S *	5/2010	Krause	D23/239
D643,908 S *	8/2011	Sieger	D23/238
D648,825 S *	11/2011	Ando	D23/228

(73) Assignee: **DELTA FAUCET COMPANY**,
Indianapolis, IN (US)

* cited by examiner

(**) Term: **15 Years**

Primary Examiner — Robert Delehanty

(21) Appl. No.: **29/555,551**

(74) *Attorney, Agent, or Firm* — Edgar A. Zarins; Nirav D. Parikh

(22) Filed: **Feb. 23, 2016**

(57) **CLAIM**

(51) **LOC (10) Cl.** **23-01**

The ornamental design for a shower system, as shown and described.

(52) **U.S. Cl.**

DESCRIPTION

USPC **D23/238**; D23/239

(58) **Field of Classification Search**

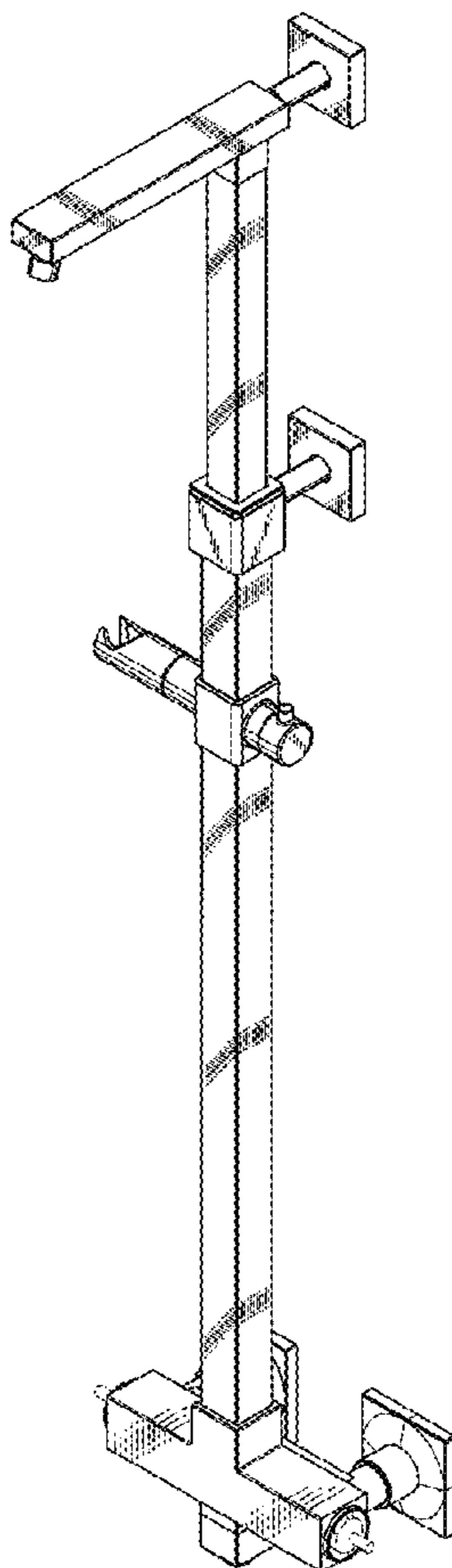
USPC D23/238–243, 249–250, 252, 254, 255,
D23/257, 213, 223

CPC E03C 1/04; E03C 1/0401; E03C 1/0402;
E03C 1/0404

FIG. 1 is a perspective view of a shower system showing my new design;
 FIG. 2 is a front elevational view thereof;
 FIG. 3 is a left side view thereof;
 FIG. 4 is a right view thereof;
 FIG. 5 is a top plan view thereof;
 FIG. 6 is a bottom view thereof; and,
 FIG. 7 is a rear view thereof.

See application file for complete search history.

1 Claim, 3 Drawing Sheets



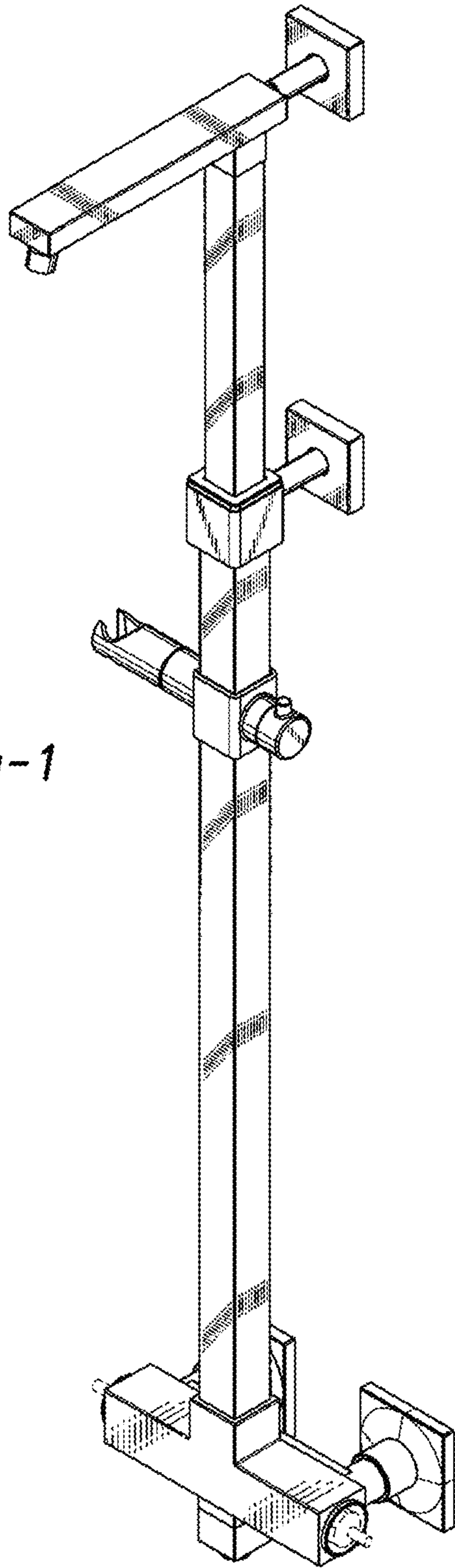


Fig-1

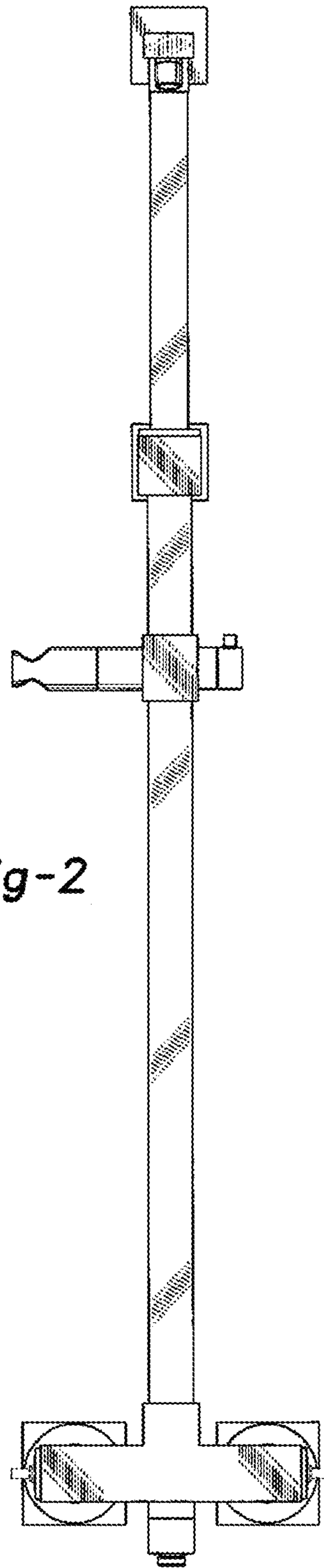


Fig-2

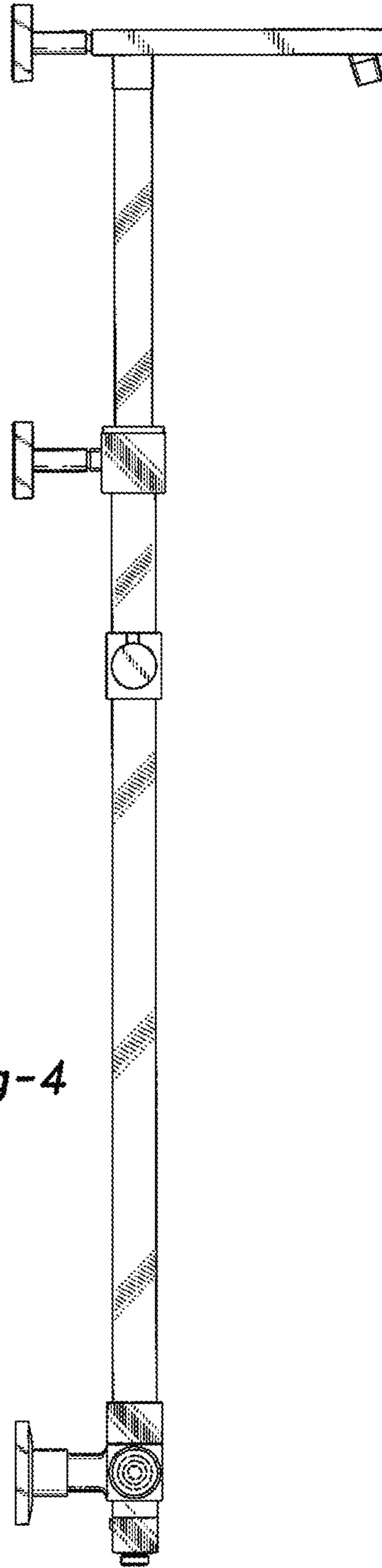
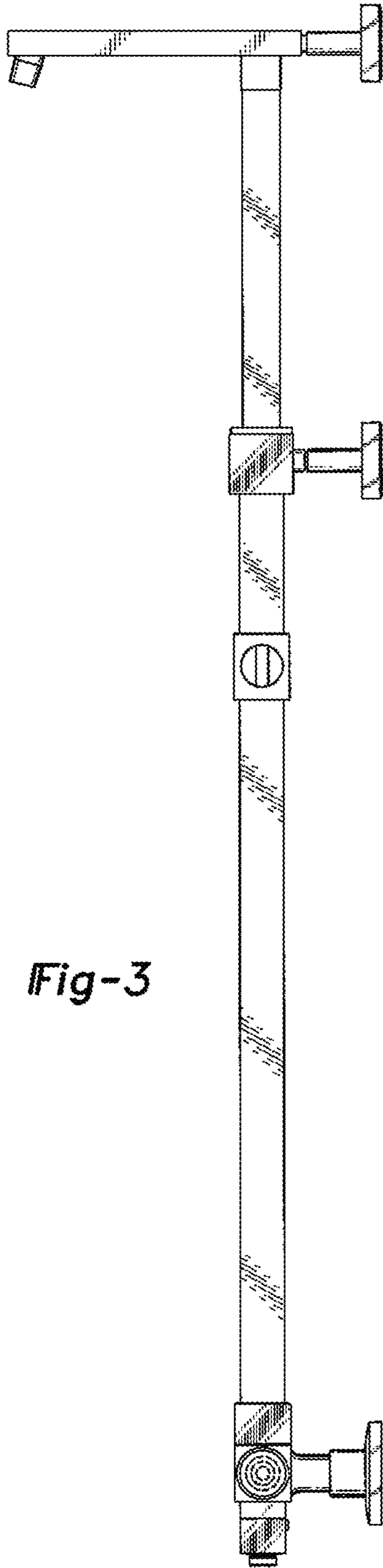


Fig-5

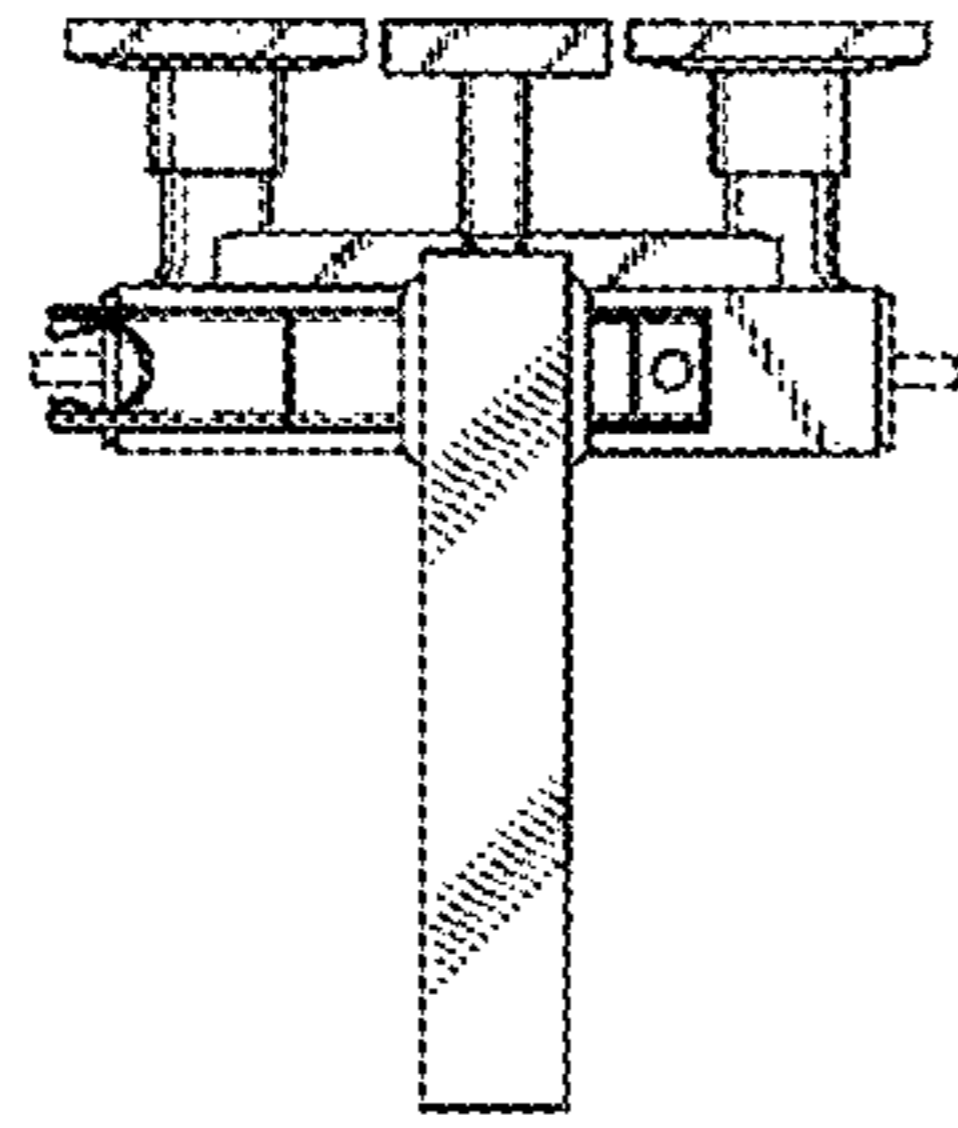


Fig-7

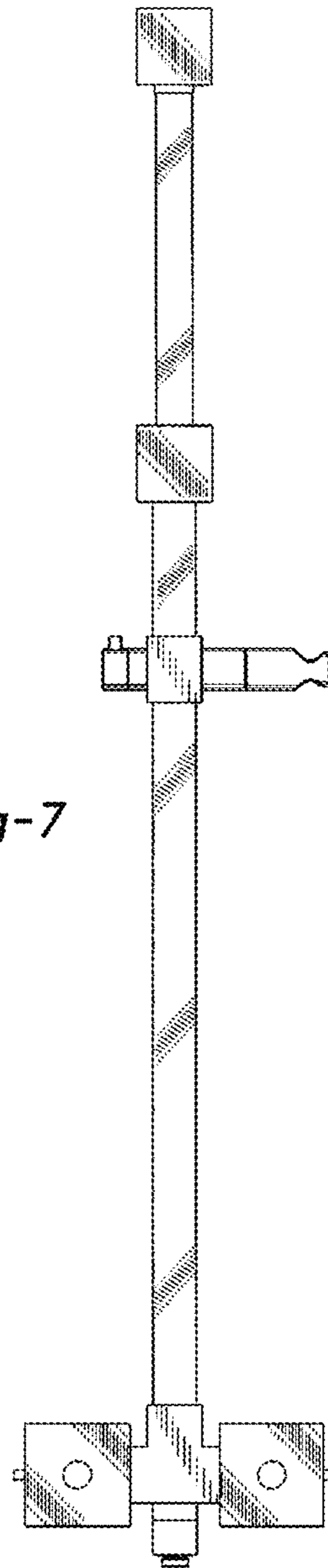


Fig-6

