



US00D790664S

(12) **United States Design Patent** (10) **Patent No.:** **US D790,664 S**  
**Eads** (45) **Date of Patent:** **\*\* Jun. 27, 2017**

(54) **TUB FILLER**

(56) **References Cited**

(71) Applicant: **DELTA FAUCET COMPANY,**  
Indianapolis, IN (US)  
(72) Inventor: **Thad Eads,** North Manchester, IN (US)  
(73) Assignee: **DELTA FAUCET COMPANY,**  
Indianapolis, IN (US)

U.S. PATENT DOCUMENTS

D583,907 S \* 12/2008 Citterio ..... D23/238  
D615,623 S \* 5/2010 Krause ..... D23/239  
D769,418 S \* 10/2016 Eads ..... D23/238

(\*\*) Term: **15 Years**

\* cited by examiner

*Primary Examiner* — Robert Delehanty  
(74) *Attorney, Agent, or Firm* — Edgar A. Zarins; Nirav D. Parikh

(21) Appl. No.: **29/551,094**

(57) **CLAIM**

The ornamental design for a tub filler, as shown and described.

(22) Filed: **Jan. 11, 2016**

(51) **LOC (10) Cl.** ..... **23-01**

**DESCRIPTION**

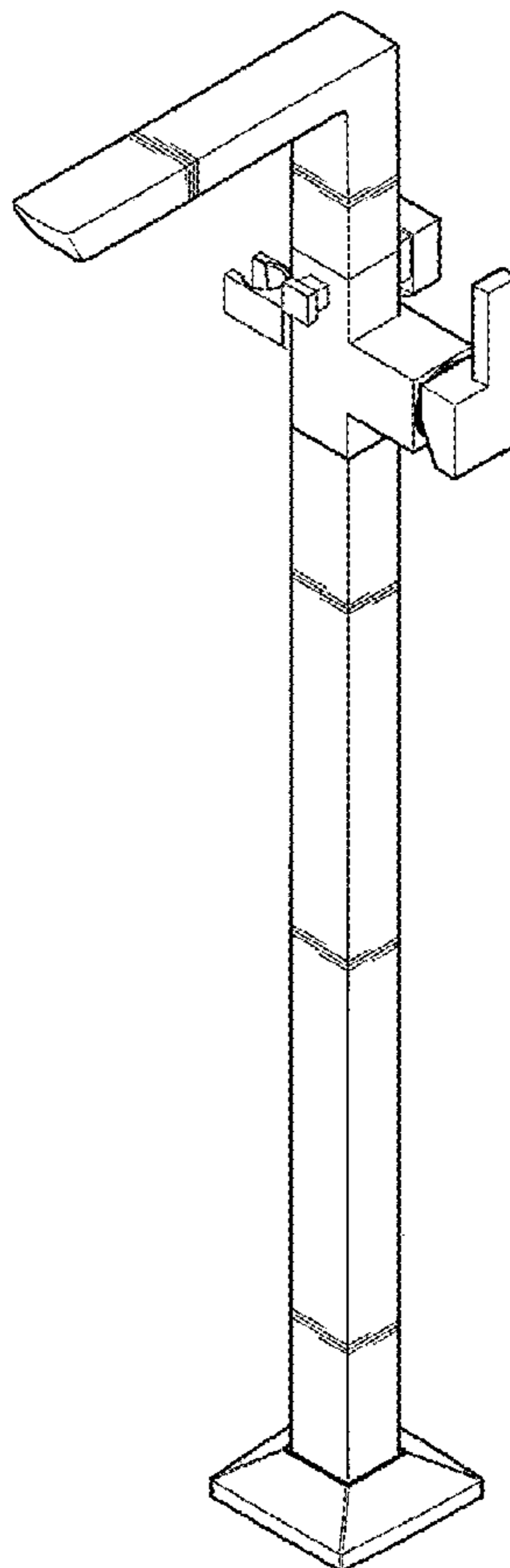
(52) **U.S. Cl.**  
USPC ..... **D23/238; D23/239**

FIG. 1 is a perspective view of a tub filler showing my new design;  
FIG. 2 is a front elevational view thereof;  
FIG. 3 is a rear view thereof;  
FIG. 4 is a right side view thereof;  
FIG. 5 is a left side view thereof;  
FIG. 6 is a top plan view thereof; and,  
FIG. 7 is a bottom view thereof.

(58) **Field of Classification Search**  
USPC ..... D23/238–243, 249, 255, 257  
CPC ..... E03C 1/04; E03C 1/0401; E03C 1/0402;  
E03C 1/0404

See application file for complete search history.

**1 Claim, 3 Drawing Sheets**



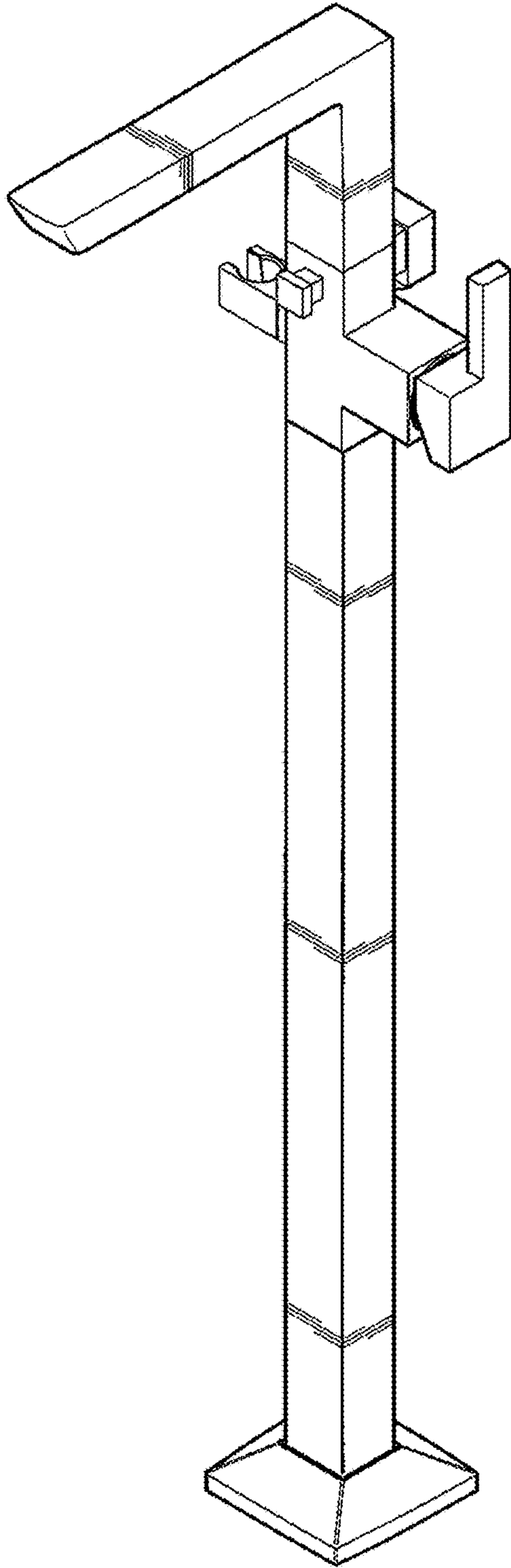


Fig-1

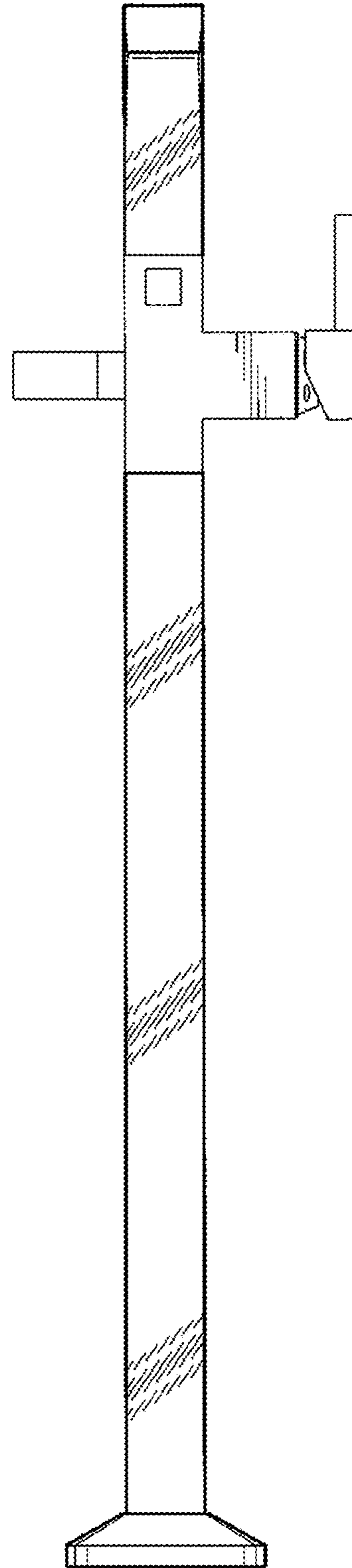
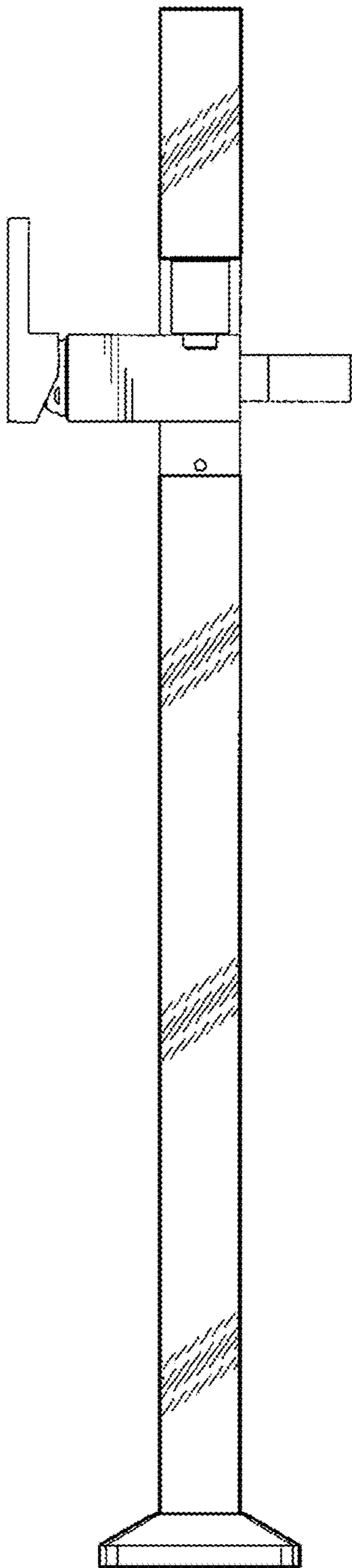
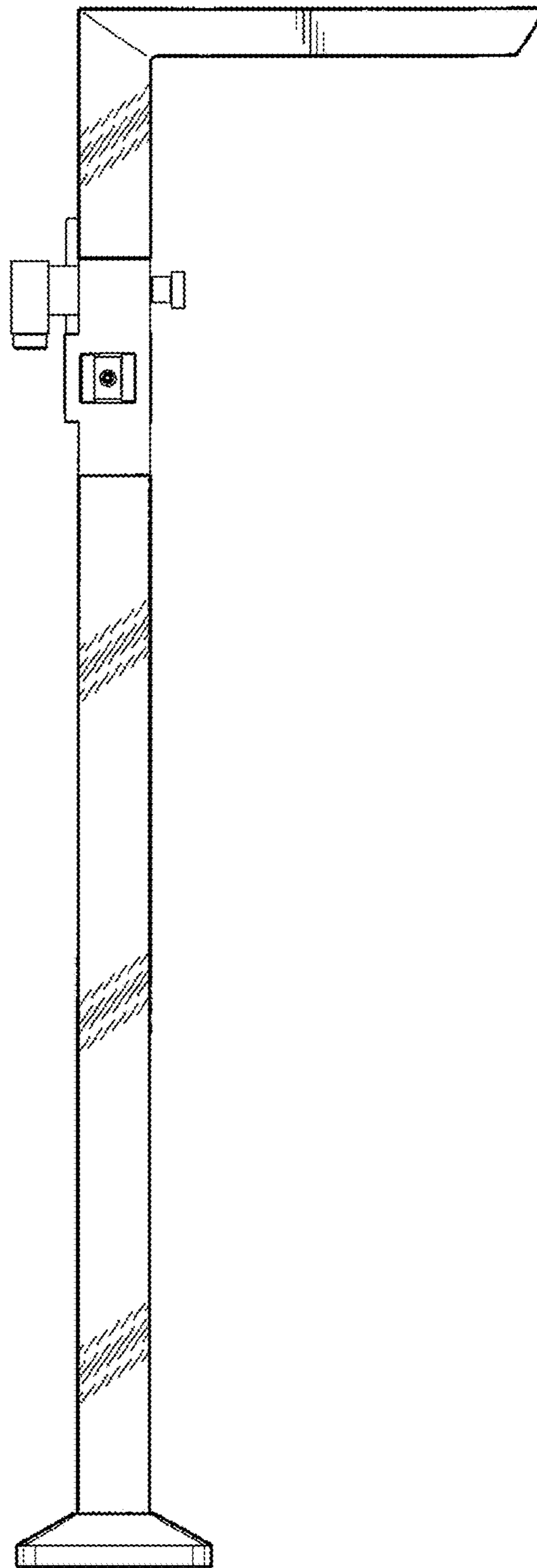


Fig-2



*Fig-3*



*Fig-4*

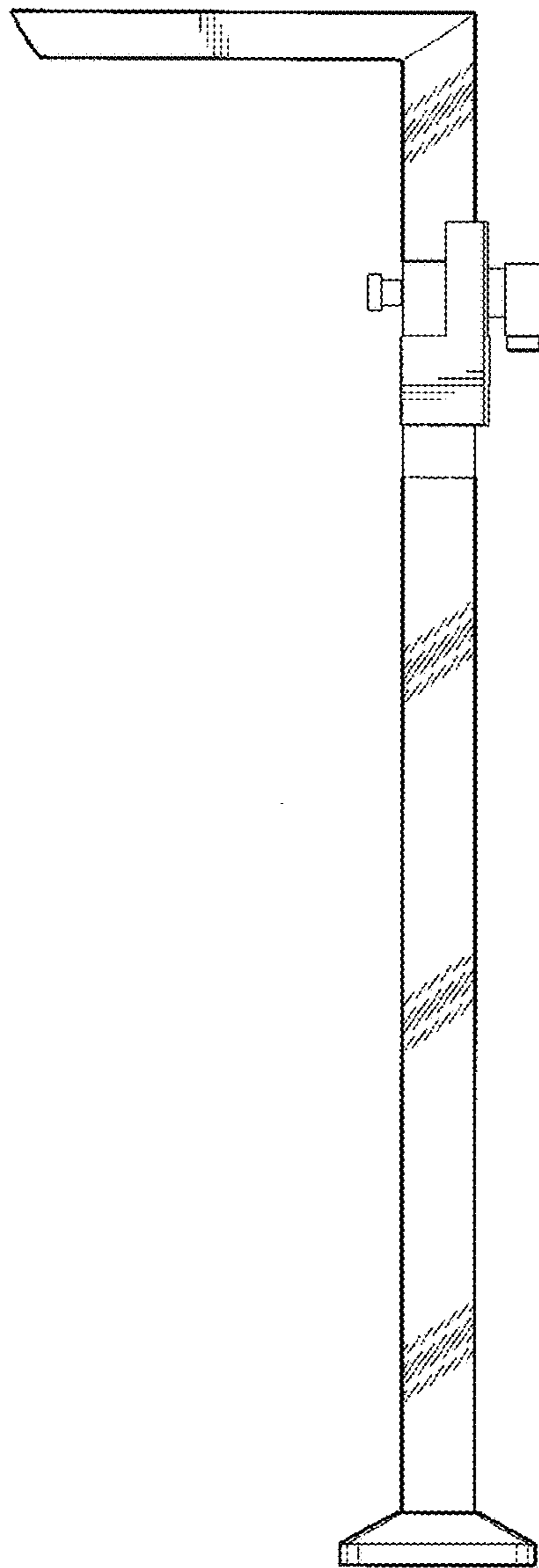


Fig-5

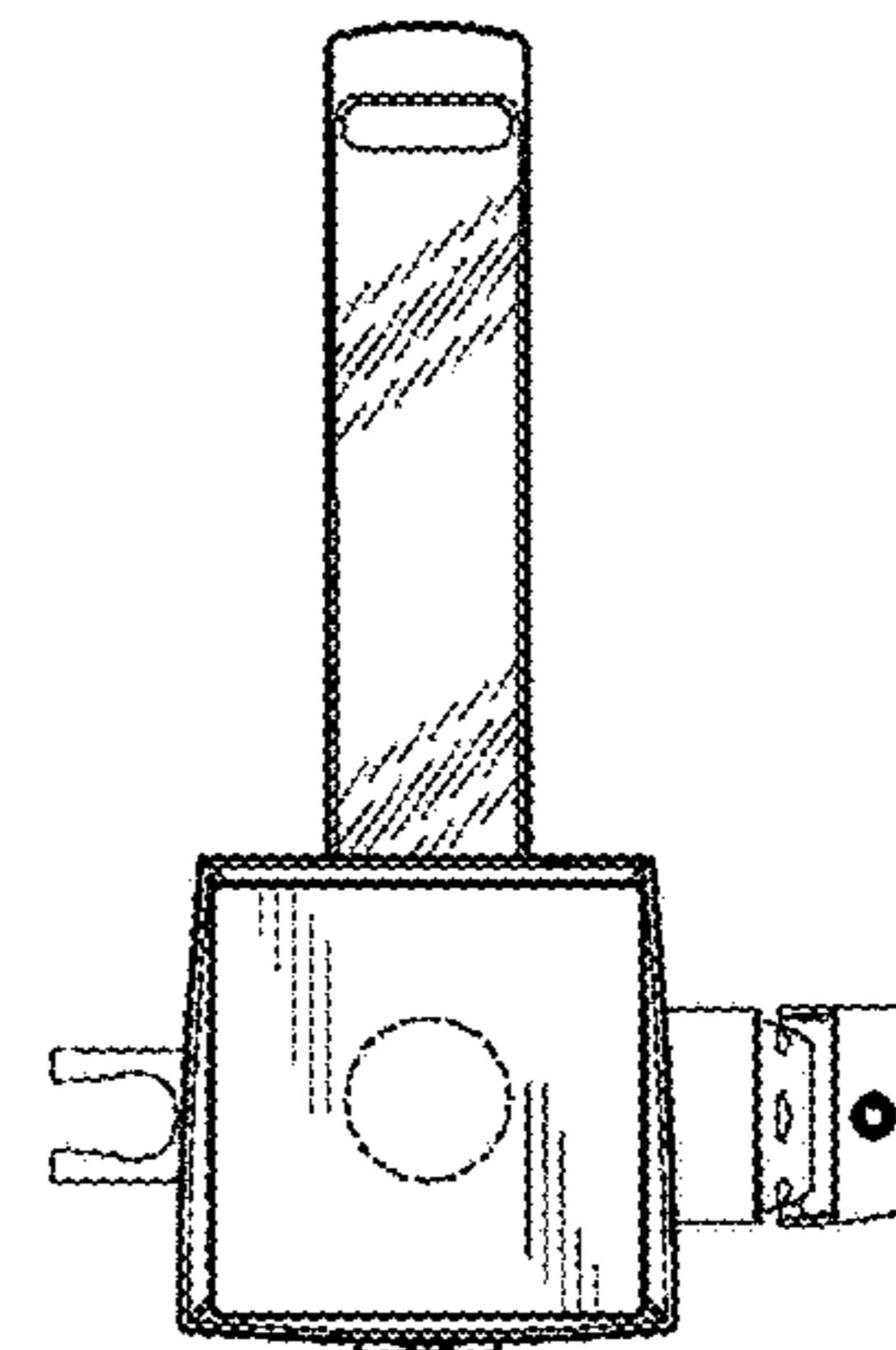
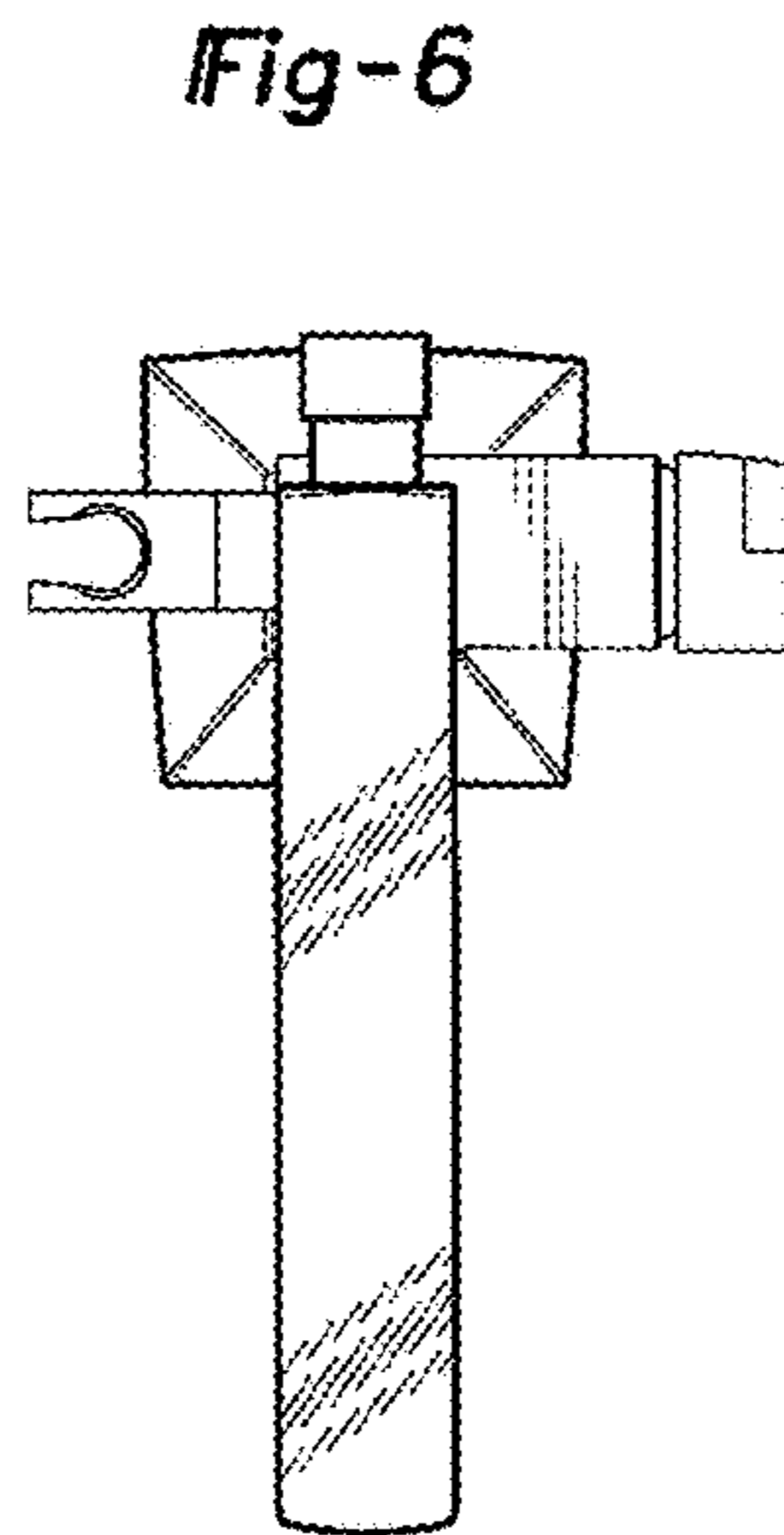


Fig-7