



US00D790663S

(12) **United States Design Patent** (10) **Patent No.:** **US D790,663 S**  
**Petersen et al.** (45) **Date of Patent:** **\*\* Jun. 27, 2017**

(54) **VALVE**

(56) **References Cited**

(71) Applicant: **Danfoss A/S**, Nordborg (DK)

U.S. PATENT DOCUMENTS

(72) Inventors: **Hans Kurt Petersen**, Egtved (DK);  
**Mikkel Frank**, Gesten (DK)

D639,392 S *	6/2011	Yamada	.....	D23/233
D646,753 S *	10/2011	Juul	.....	D23/233
D667,930 S *	9/2012	Yamada	.....	D23/233
D677,363 S *	3/2013	Norlander	.....	D23/233
D686,699 S *	7/2013	Evans, Jr.	.....	D23/233
D692,983 S *	11/2013	Nissen	.....	D23/233
D697,587 S *	1/2014	Nissen	.....	D23/233
D732,143 S *	6/2015	Roden	.....	D23/233
D736,896 S *	8/2015	Nishimura	.....	D23/233
D737,408 S *	8/2015	Roden	.....	D23/233
D738,463 S *	9/2015	Yoshida	.....	D23/233
D738,465 S *	9/2015	Yoshida	.....	D23/233
D750,744 S *	3/2016	Liljeqvist	.....	D23/233
D754,290 S *	4/2016	Roden	.....	D23/233

(73) Assignee: **Danfoss A/S**, Nordborg (DK)

(\*\*) Term: **15 Years**

(21) Appl. No.: **29/561,340**

(22) Filed: **Apr. 15, 2016**

(30) **Foreign Application Priority Data**

Oct. 27, 2015 (EM) ..... 002838177-0001

(51) **LOC (10) Cl.** ..... **23-01**

(52) **U.S. Cl.**  
USPC ..... **D23/234**

(58) **Field of Classification Search**  
USPC ..... D23/233, 234, 235, 236, 237, 238, 239,  
D23/240, 241, 242, 243, 24, 245, 246,  
D23/247, 248, 249, 250, 259, 255;  
D15/7, 199; 4/249, 255.03, 300, 305,  
4/319, 323, 325, 378, 392-396, 420, 427,  
4/431-435, 437, 438, 440-442, 661;  
137/1, 50, 57, 61, 61.1, 357, 115.23,  
137/596.14, 599.07, 487.5, 271, 269,  
137/625.64, 343, 882, 557; 251/331, 291,  
251/15, 129.04, 129.15, 129.01, 30.04,  
251/25, 38, 28, 41, 172; 239/585.1  
CPC ..... F16K 31/0675; F16K 13/02; F16K 15/02;  
F16K 15/063; F16K 17/003; F15B  
13/0817; F15B 13/0828; F15B 13/0839;  
F15B 13/0846; F15B 13/0857; F15B  
13/0875; F15B 20/00; F15B 13/0814;  
F15B 13/0821; F15B 13/0832; F16L  
29/00; F24F 11/04; F24F 13/10

See application file for complete search history.

(Continued)

*Primary Examiner* — Cynthia Ramirez

*Assistant Examiner* — Michael Maharajh

(74) *Attorney, Agent, or Firm* — McCormick, Paulding & Huber LLP

(57) **CLAIM**

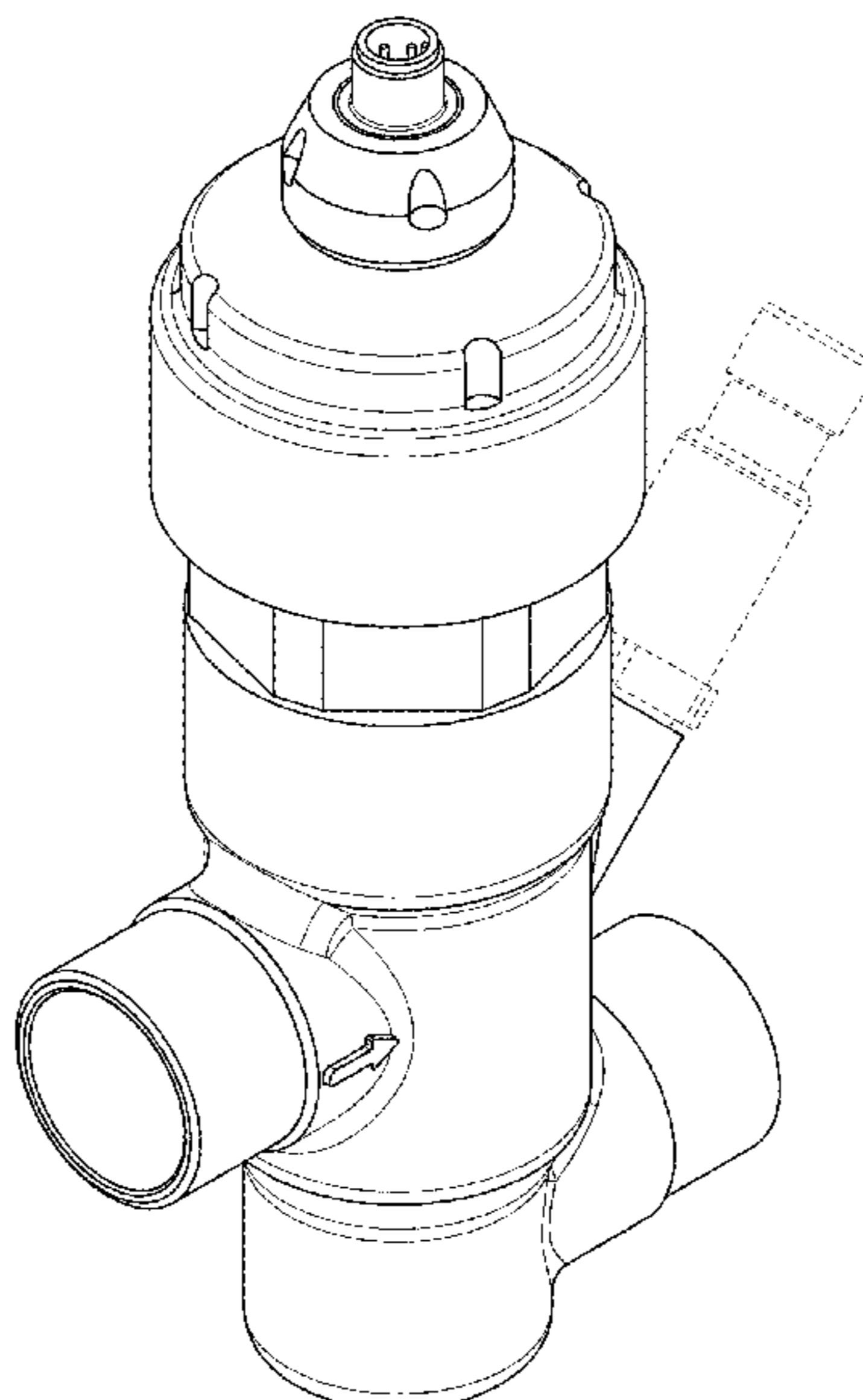
The ornamental design for a valve, as shown and described.

**DESCRIPTION**

FIG. 1 is a right, top and rear perspective view of a valve comprising a new, original and ornamental design;  
FIG. 2 is a front view thereof;  
FIG. 3 is a rear view thereof;  
FIG. 4 is a left side view thereof;  
FIG. 5 is a right side view thereof;  
FIG. 6 is a top view thereof; and,  
FIG. 7 is a bottom view thereof.

The broken lines shown in the figures are for the purpose of illustrating portions of the valve and form no part of the claimed design.

**1 Claim, 7 Drawing Sheets**



(56)

**References Cited**

U.S. PATENT DOCUMENTS

D768,823 S \* 10/2016 Harck ..... D23/233  
2014/0021384 A1 \* 1/2014 Kabel ..... F16K 11/044  
251/129.01

\* cited by examiner

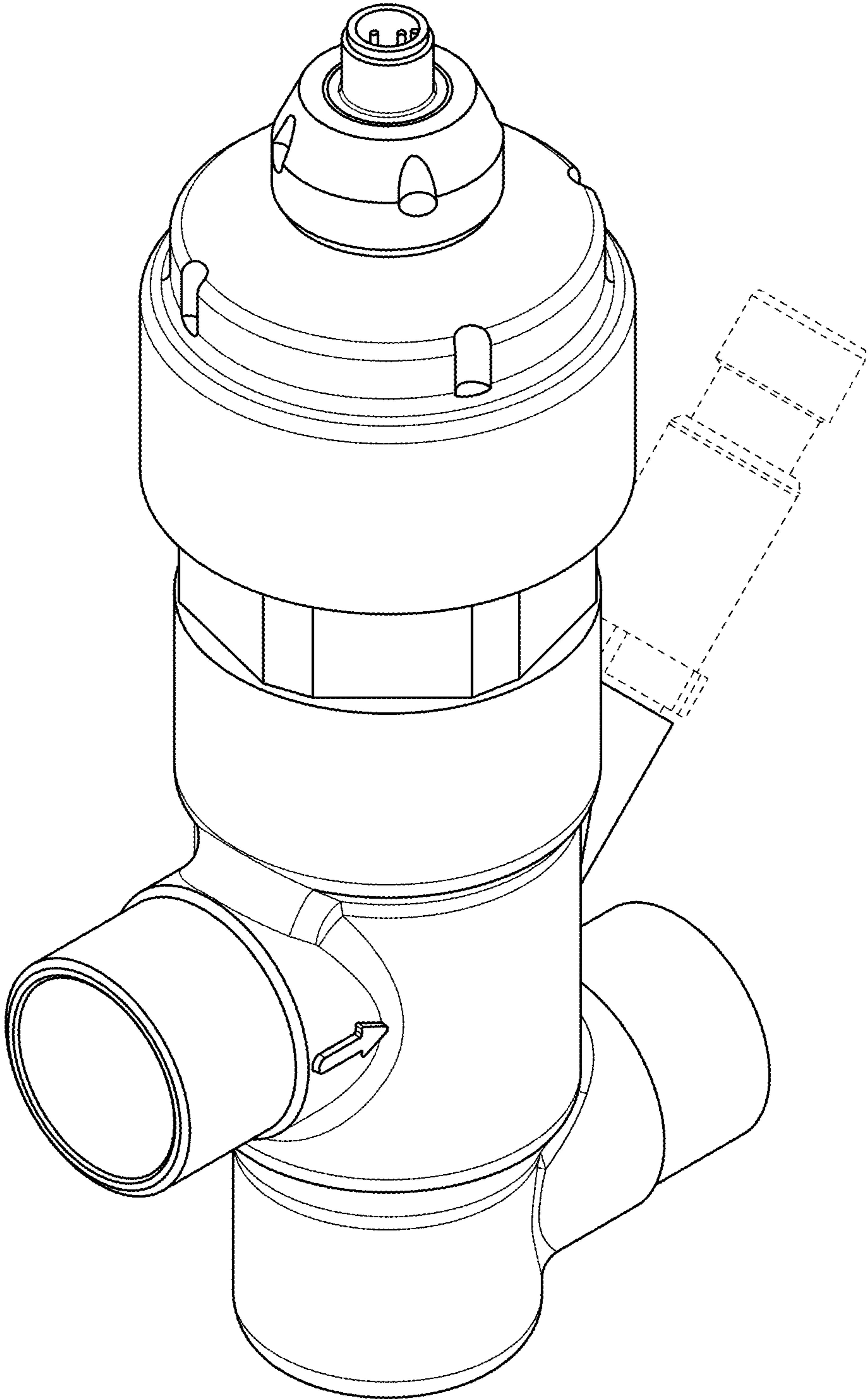


FIG. 1

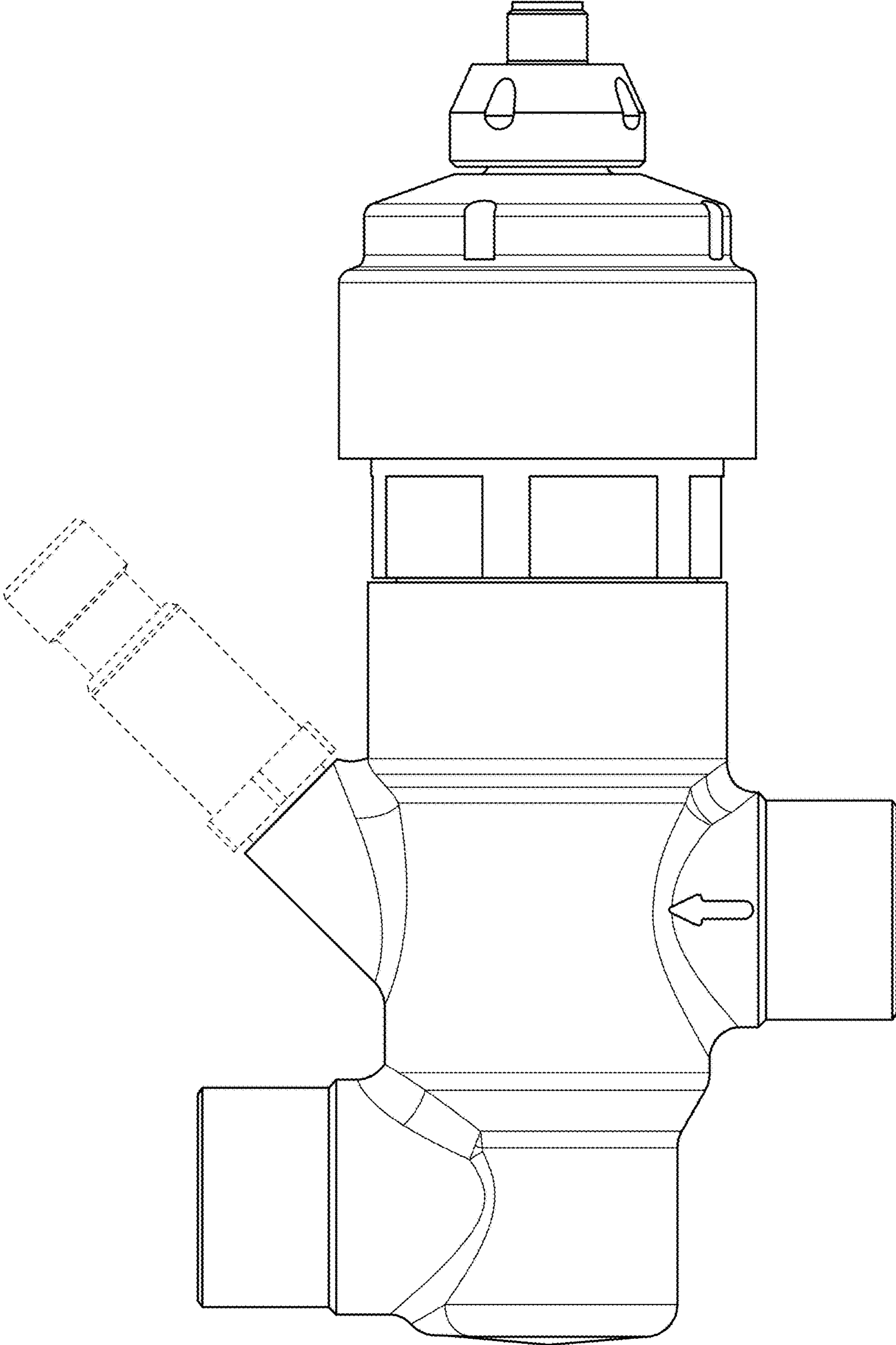


FIG. 2

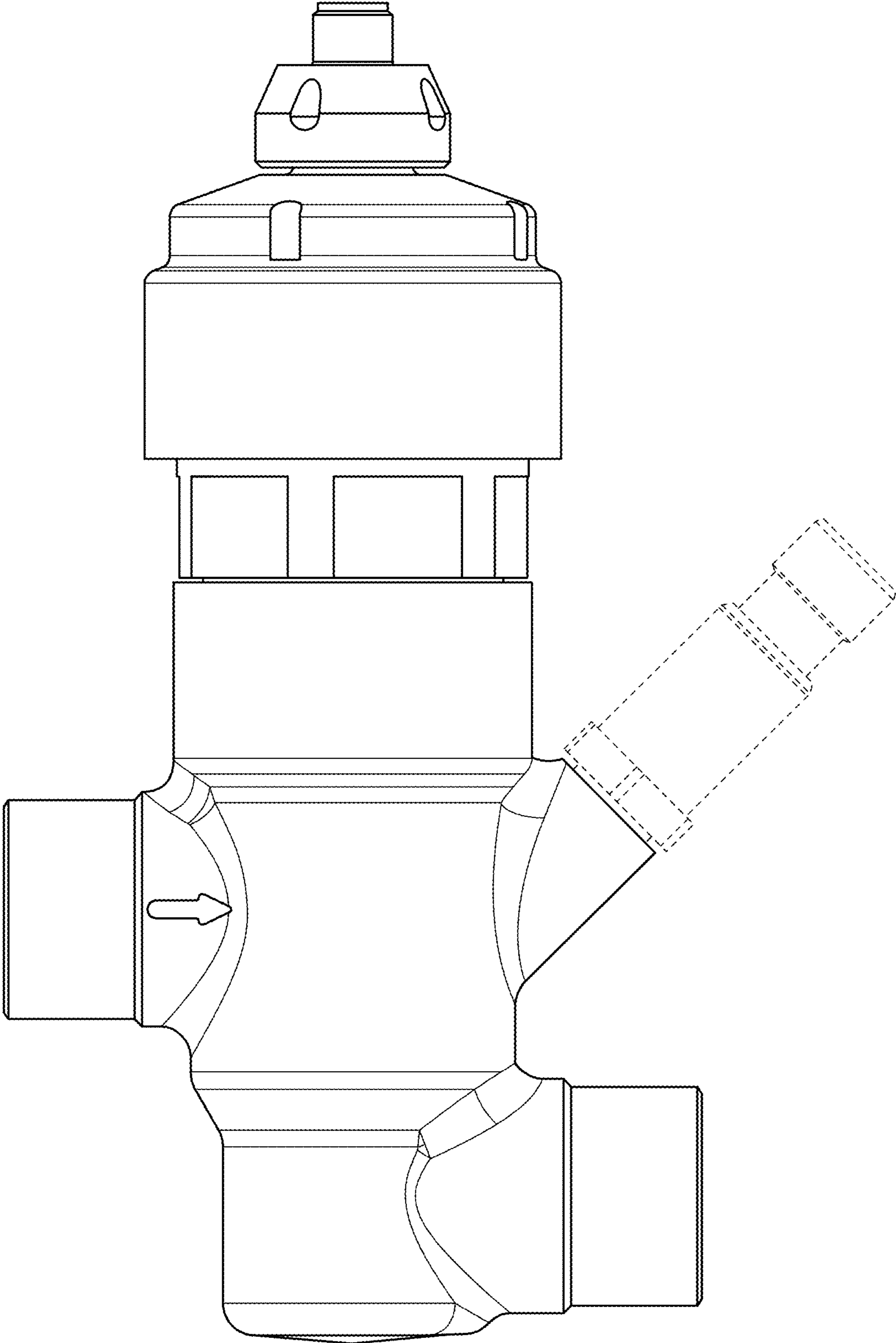


FIG. 3

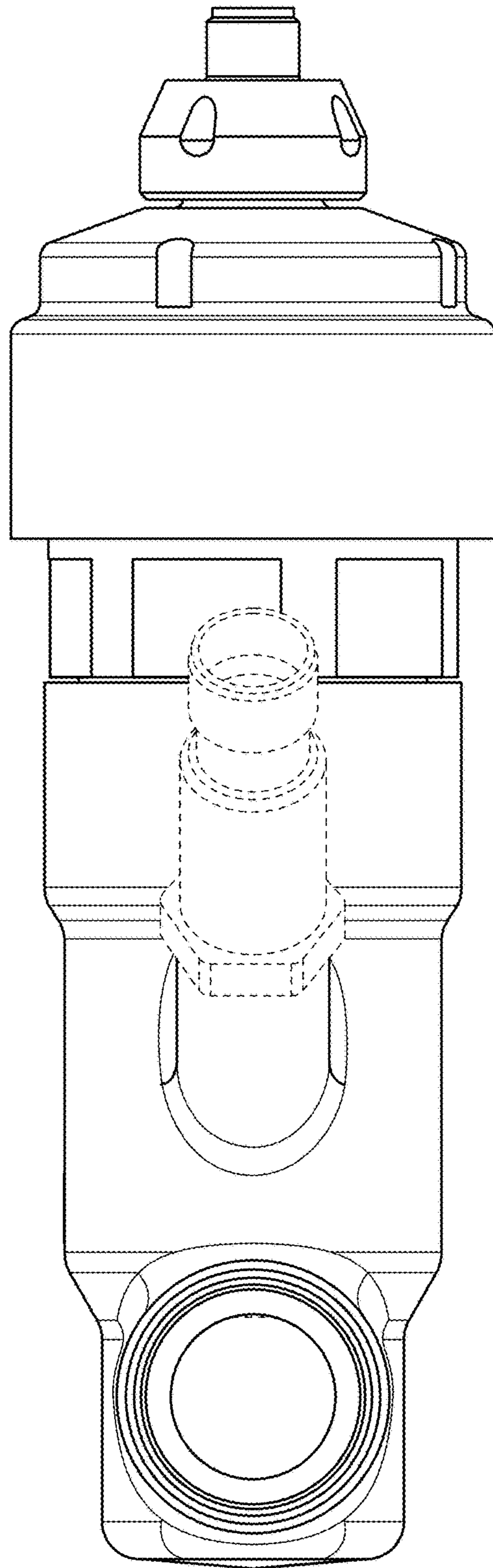


FIG. 4

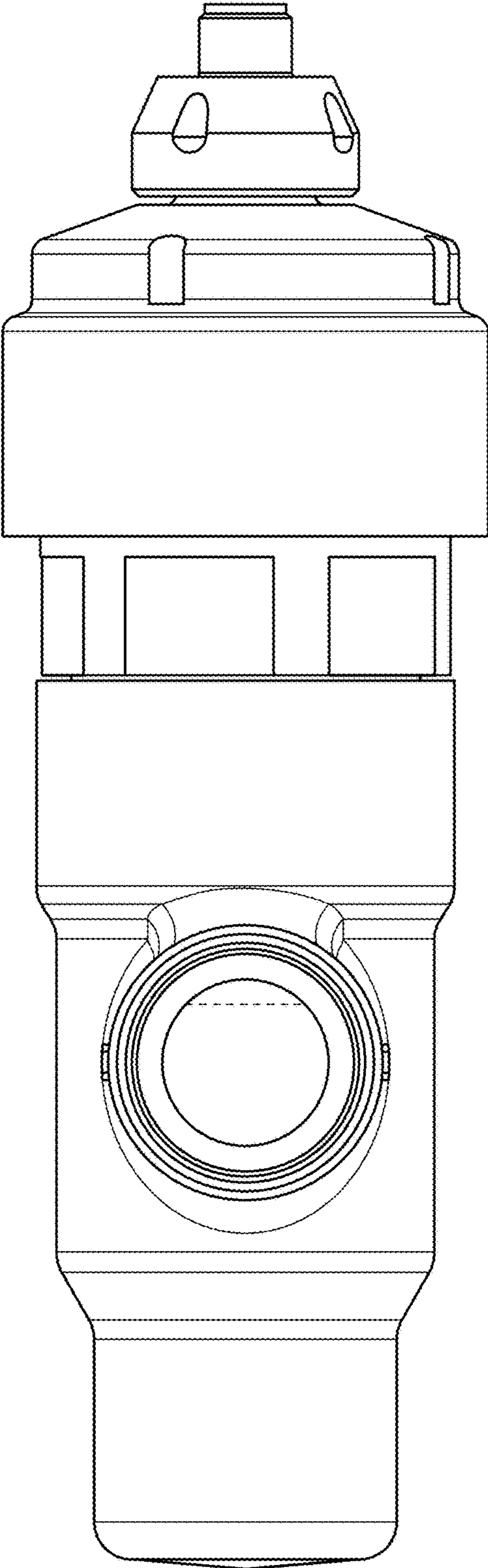


FIG. 5

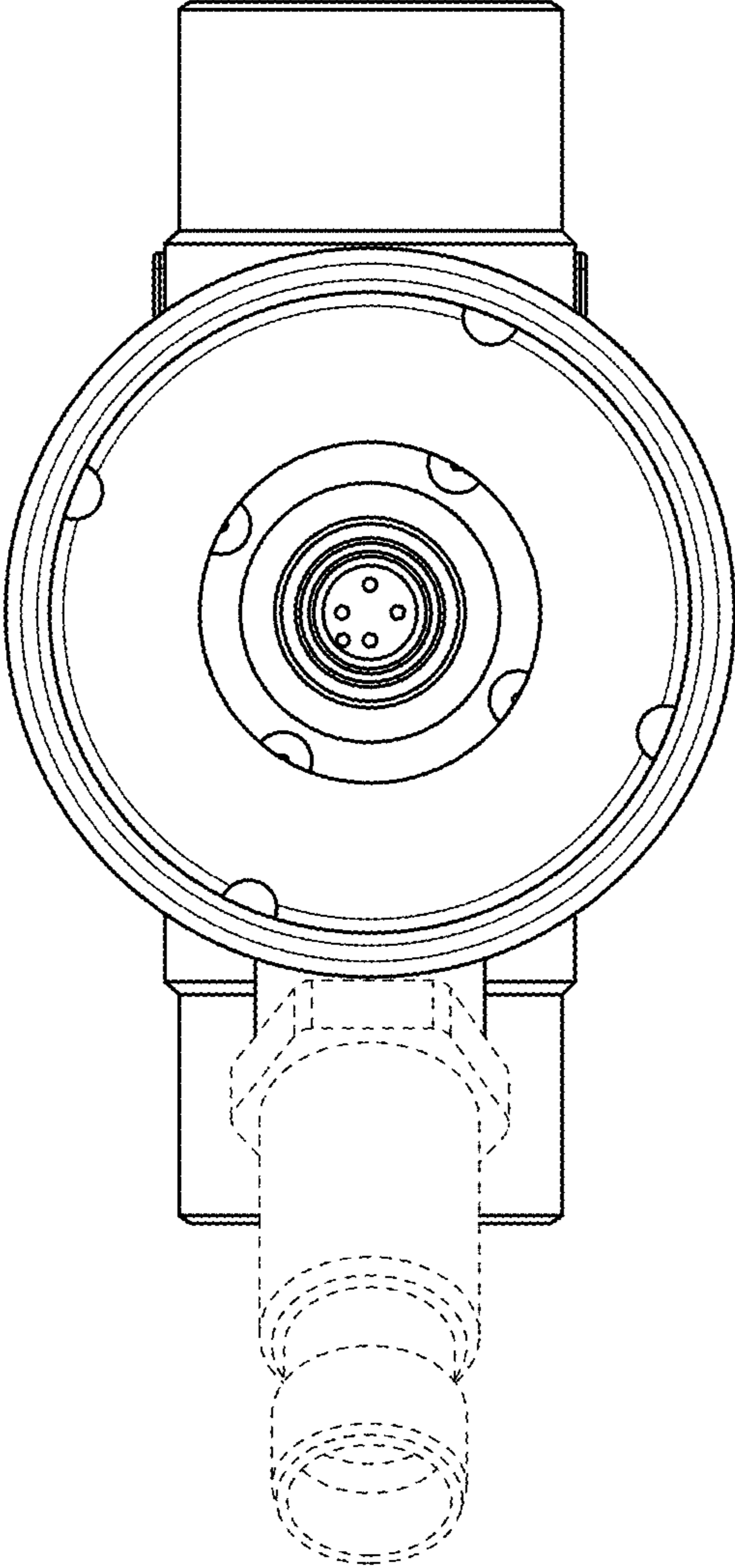


FIG. 6



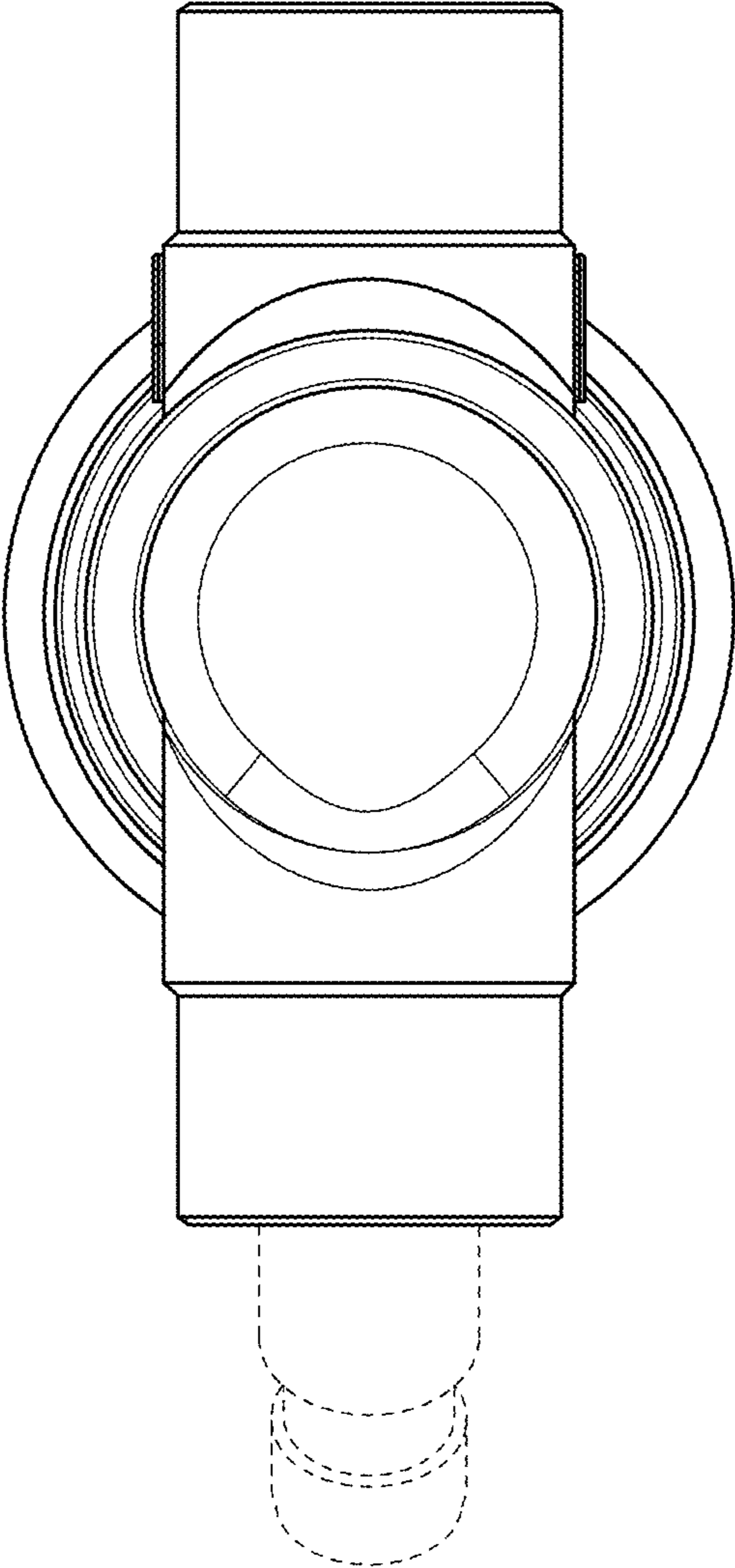


FIG. 7