



US00D790662S

(12) **United States Design Patent** (10) **Patent No.:** **US D790,662 S**  
**Legatt et al.** (45) **Date of Patent:** **\*\* Jun. 27, 2017**

(54) **SPRAYER HOPPER**  
(71) Applicant: **Graco Minnesota Inc.**, Minneapolis, MN (US)  
(72) Inventors: **August F Legatt**, Maple Lake, MN (US); **Steven D. Becker**, Blaine, MN (US)  
(73) Assignee: **Graco Minnesota Inc.**, Minneapolis, MN (US)  
(\*\*) Term: **15 Years**  
(21) Appl. No.: **29/552,534**  
(22) Filed: **Jan. 22, 2016**  
(51) **LOC (10) Cl.** ..... **23-01**  
(52) **U.S. Cl.**  
USPC ..... **D23/225**  
(58) **Field of Classification Search**  
USPC ..... D23/200, 207, 209, 212, 215, 222, 223, D23/225  
CPC ..... B05B 7/1413  
See application file for complete search history.

(56) **References Cited**

**U.S. PATENT DOCUMENTS**

2,474,322 A \* 6/1949 Quinn ..... A45F 3/20 383/120  
D288,373 S \* 2/1987 Alanis ..... D32/31  
6,193,885 B1 \* 2/2001 Campbell ..... B01D 29/27 15/1.7  
D501,241 S \* 1/2005 Gundersen ..... D23/225  
6,908,550 B2 \* 6/2005 Silverstein ..... B01D 29/27 15/1.7  
D526,045 S \* 8/2006 Gundersen ..... D23/225  
D547,416 S \* 7/2007 Hillhouse ..... D23/202  
D550,715 S 9/2007 Davidson et al.  
D554,741 S \* 11/2007 Peterson ..... D23/225  
D570,447 S \* 6/2008 Hillhouse ..... D23/202

D580,516 S 11/2008 Mattson et al.  
D580,517 S 11/2008 Mattson et al.  
D592,728 S \* 5/2009 Wang ..... D23/207  
D628,672 S \* 12/2010 Kendall ..... D23/202  
D643,906 S \* 8/2011 Kendall ..... D23/202  
D725,742 S \* 3/2015 Kennemer ..... D23/225  
D728,067 S \* 4/2015 Evans ..... D23/202  
D749,192 S \* 2/2016 Fontaine ..... D23/225  
D749,698 S \* 2/2016 Pereira Dos Reis ..... D23/225  
D755,926 S \* 5/2016 Wirz Luchsinger ..... D23/202  
D758,535 S \* 6/2016 Clarey ..... D23/225  
D759,786 S \* 6/2016 Laber ..... D15/13  
D760,350 S \* 6/2016 Wirz Luchsinger ..... D23/225  
D769,414 S \* 10/2016 Roden ..... D23/225  
D771,222 S \* 11/2016 Pellin ..... D23/225  
2007/0252019 A1 \* 11/2007 Peterson ..... B05B 7/1486 239/337  
2011/0079321 A1 \* 4/2011 Mattson ..... B05B 7/1409 141/344

(Continued)

**OTHER PUBLICATIONS**

Graco RTX 1500 Repair and Parts manual #310645EN.  
(Continued)

*Primary Examiner* — Robin V Webster  
*Assistant Examiner* — Rachel Voorhies

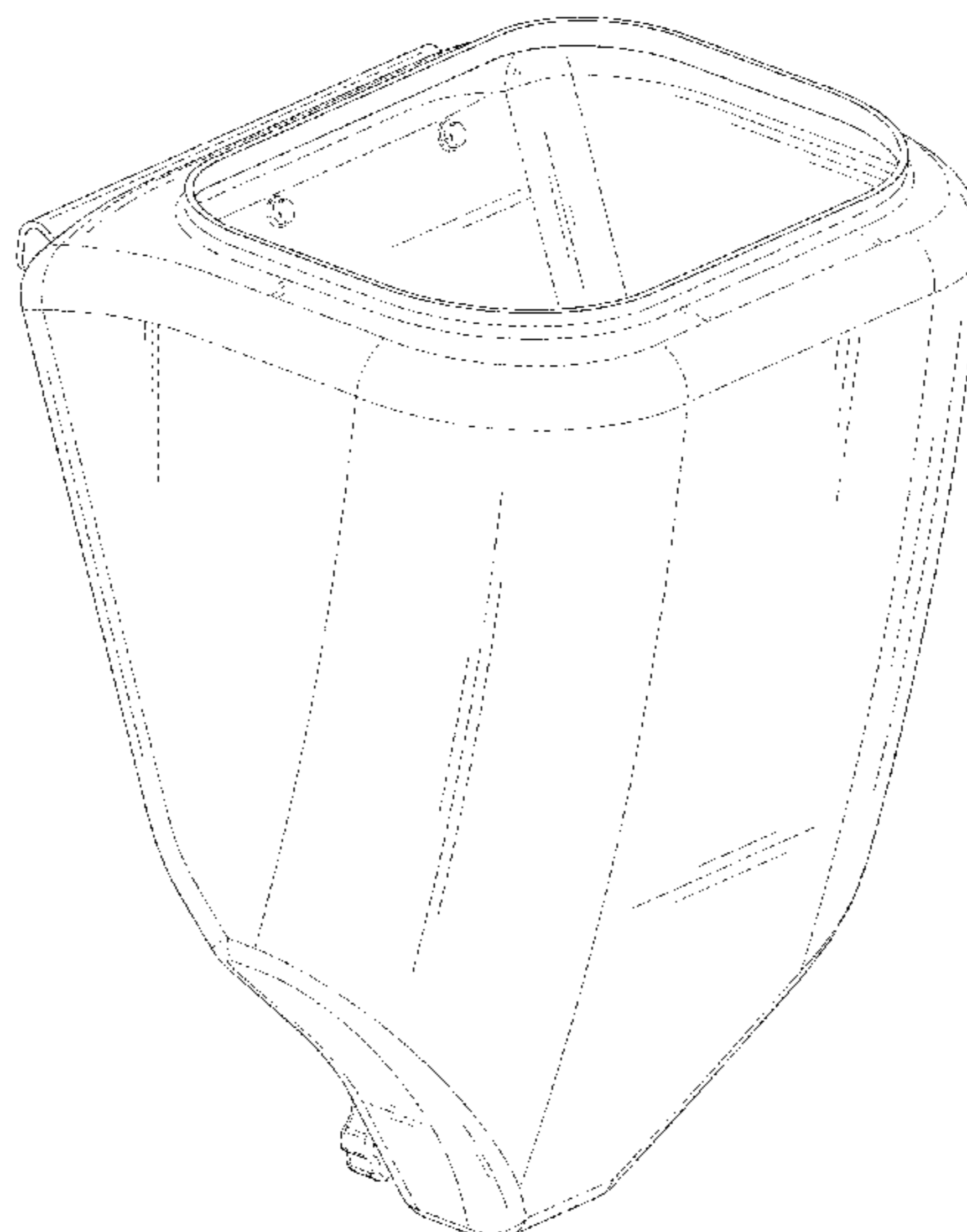
(57) **CLAIM**

The ornamental design for sprayer hopper, as shown and described.

**DESCRIPTION**

FIG. 1 is a front left isometric view of a sprayer hopper;  
FIG. 2 is a left side view thereof;  
FIG. 3 is a front view thereof;  
FIG. 4 is a right side view thereof;  
FIG. 5 is a back side view thereof;  
FIG. 6 is a top view thereof; and,  
FIG. 7 is a bottom view thereof.

**1 Claim, 7 Drawing Sheets**



(56)

**References Cited**

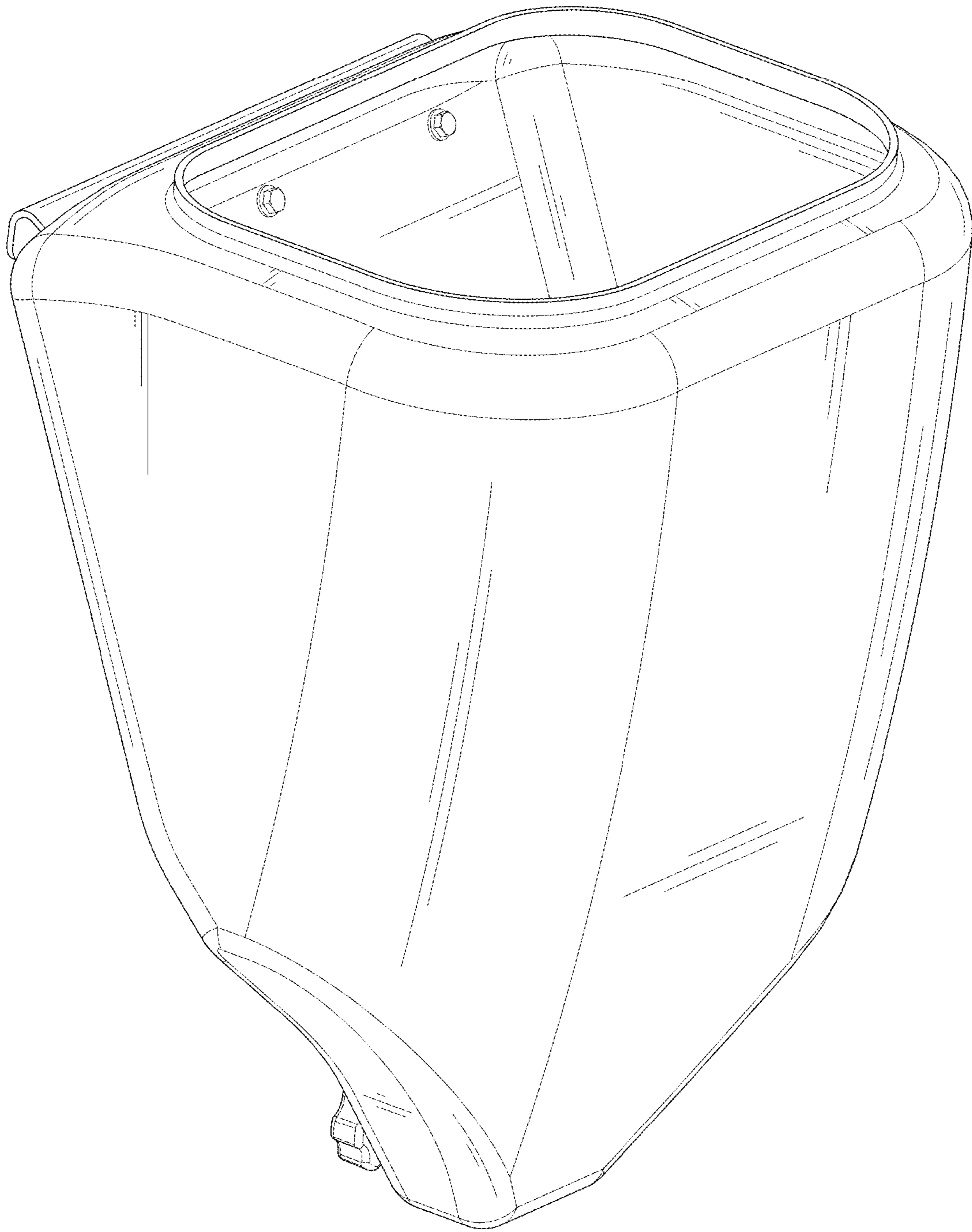
U.S. PATENT DOCUMENTS

2014/0116514 A1\* 5/2014 Tix ..... B29B 13/02  
137/1  
2015/0330089 A1\* 11/2015 Finstad ..... E04F 21/12  
239/8  
2015/0367362 A1\* 12/2015 Finstad ..... B05B 7/2418  
239/8  
2016/0046502 A1\* 2/2016 Rice ..... C02F 1/008  
210/85

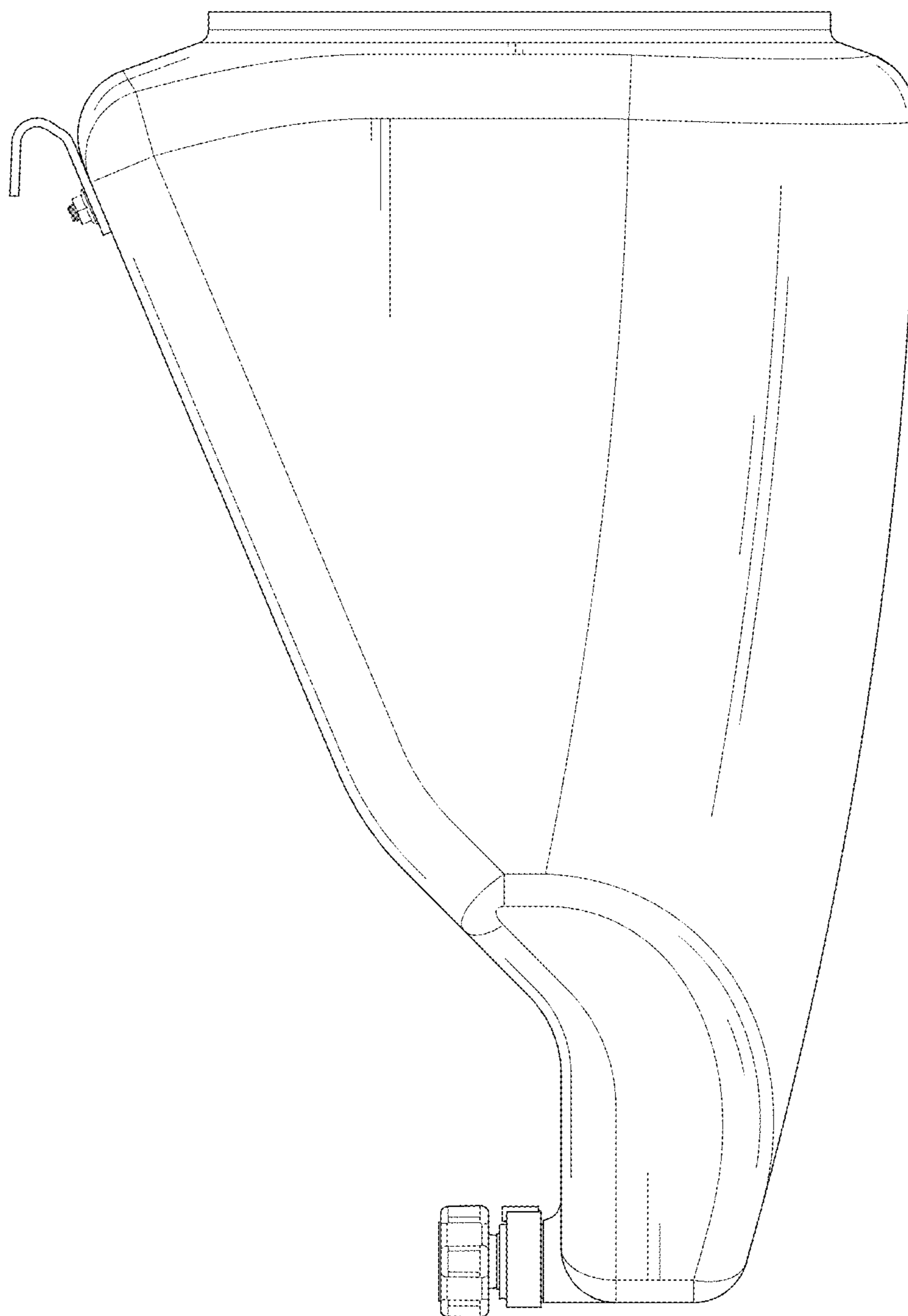
OTHER PUBLICATIONS

Graco RTX 900 & RTX 1250 Repair manual #311772Pen.  
Benron EZ Tex Junior flyer.  
Benron Rotortex R5 flyer.

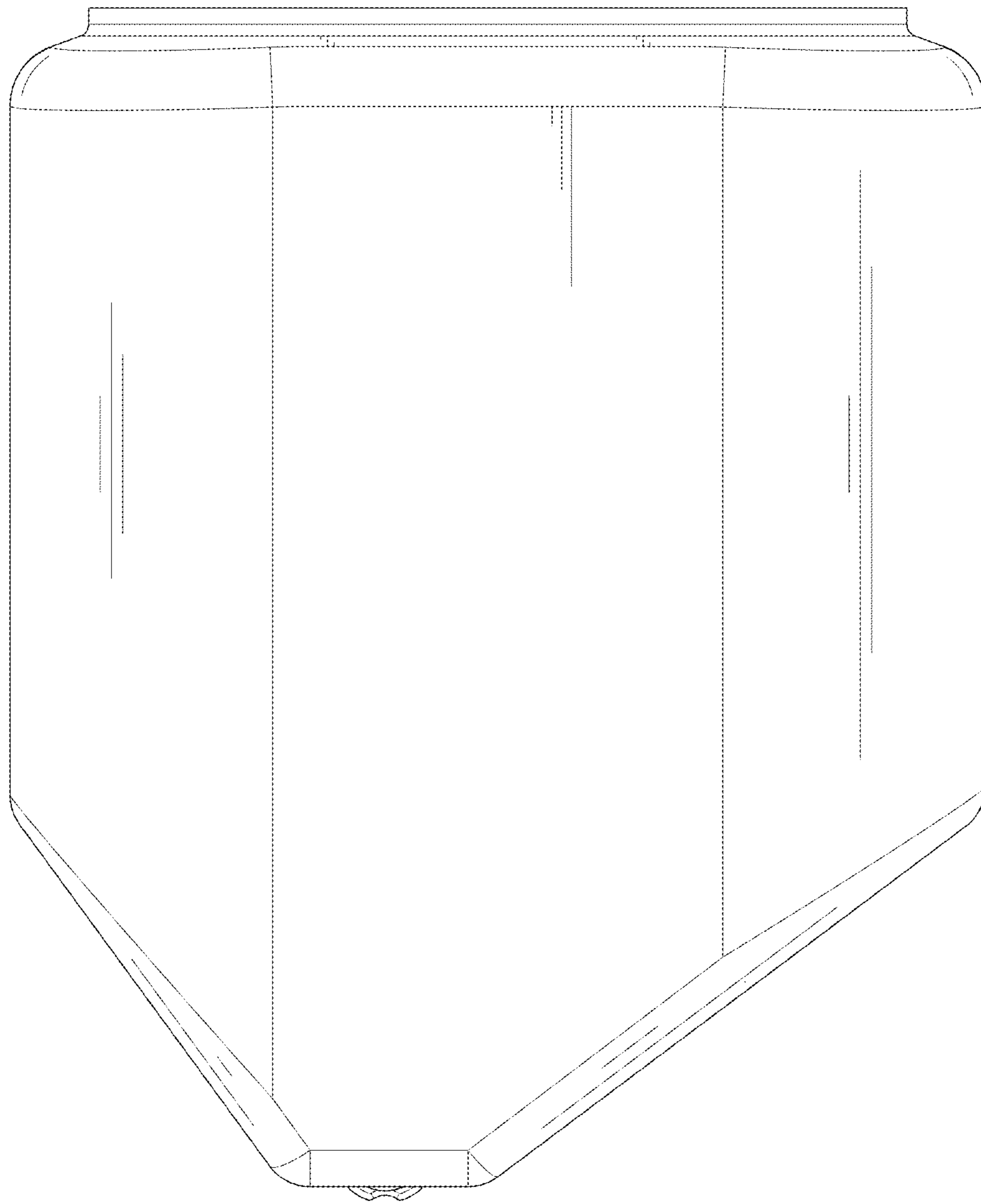
\* cited by examiner



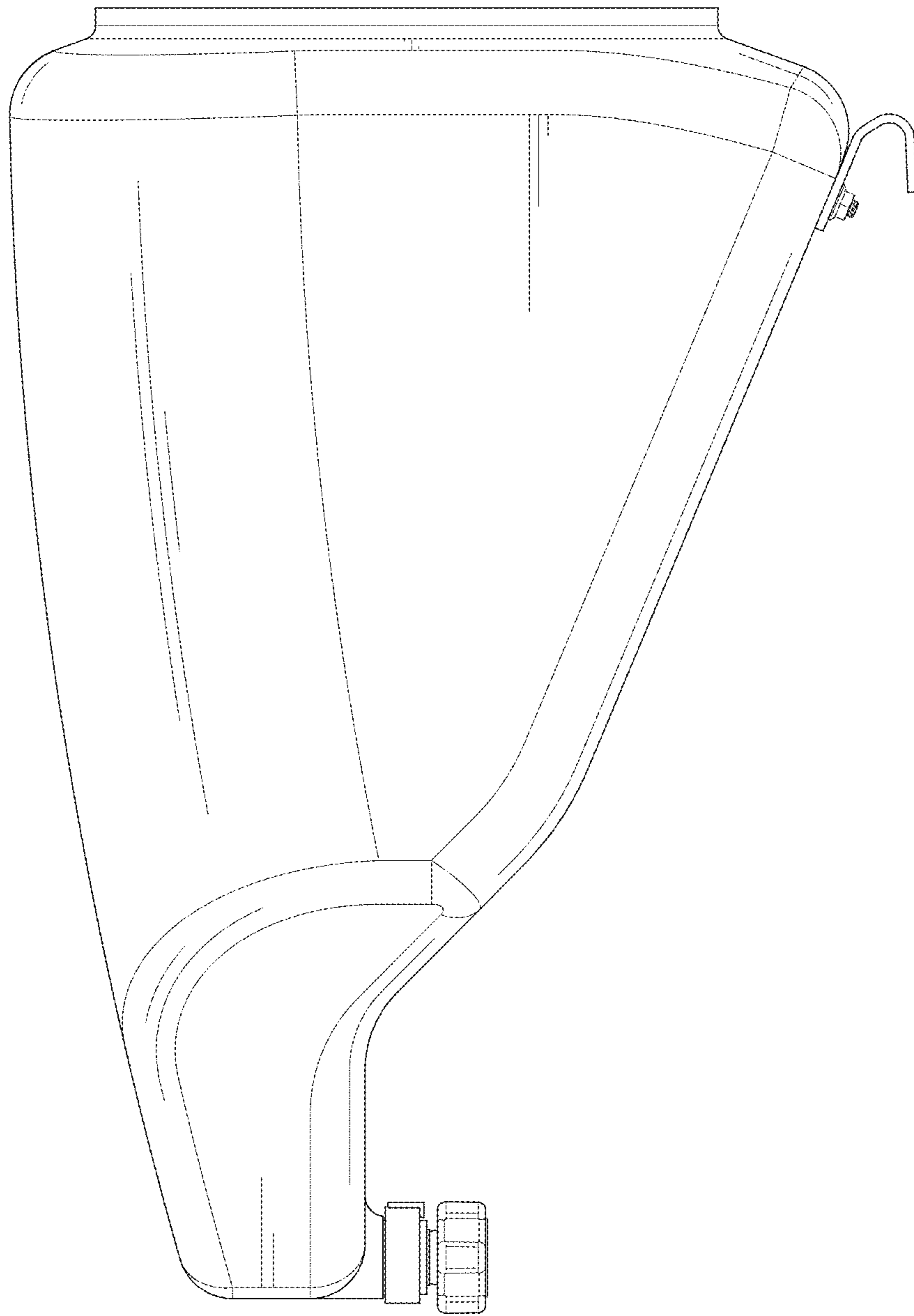
**FIG. 1**



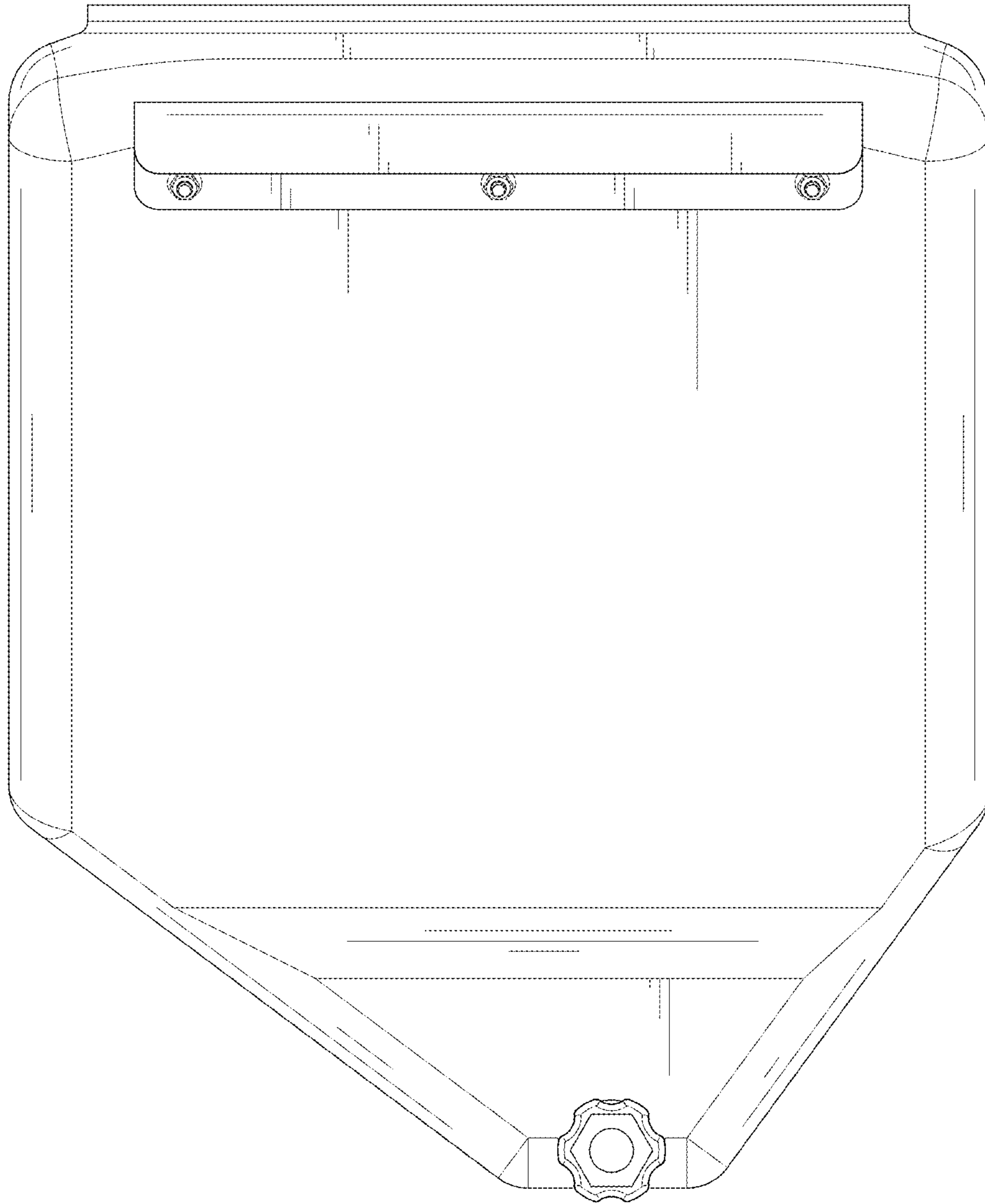
**FIG. 2**



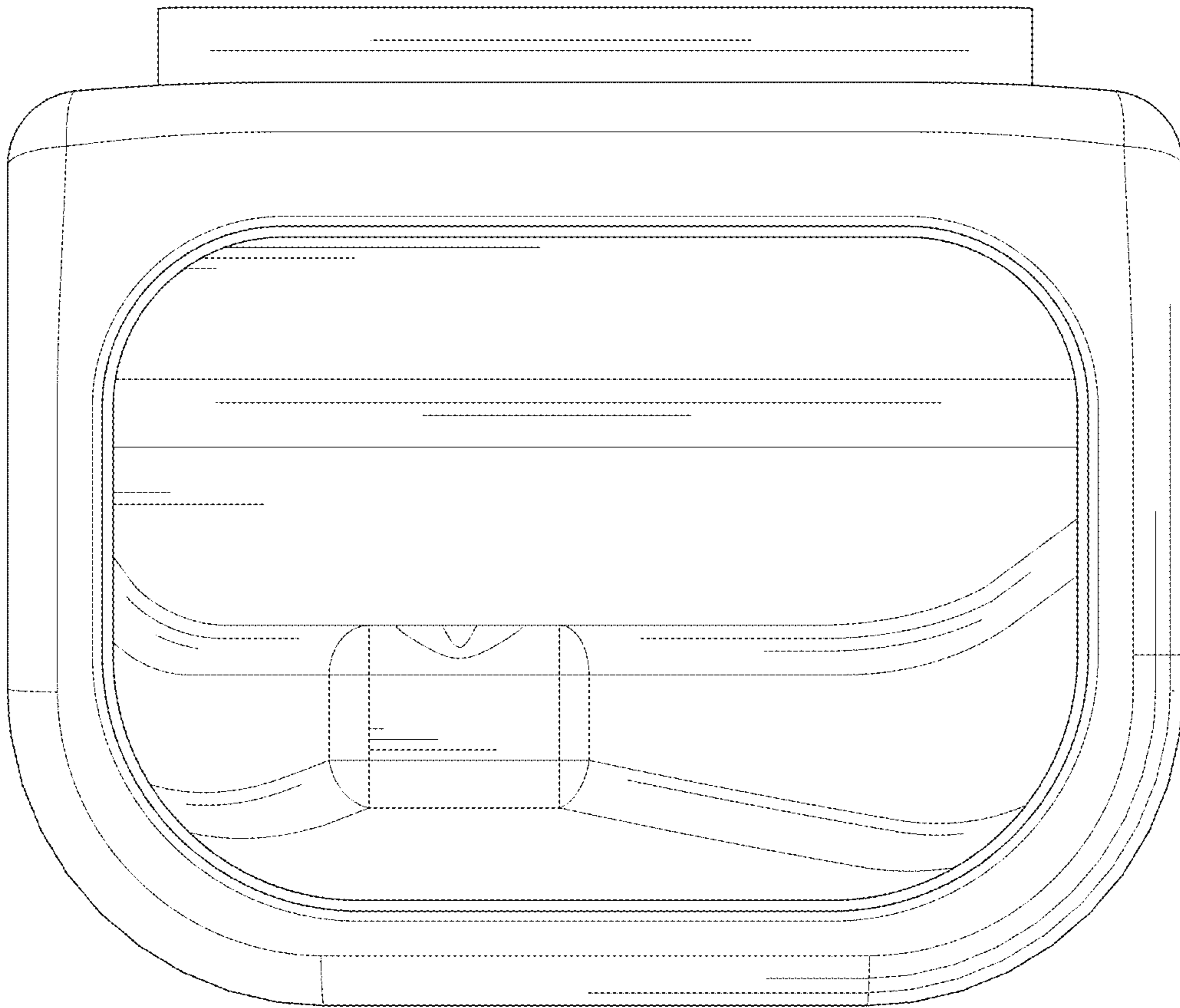
**FIG. 3**



**FIG. 4**

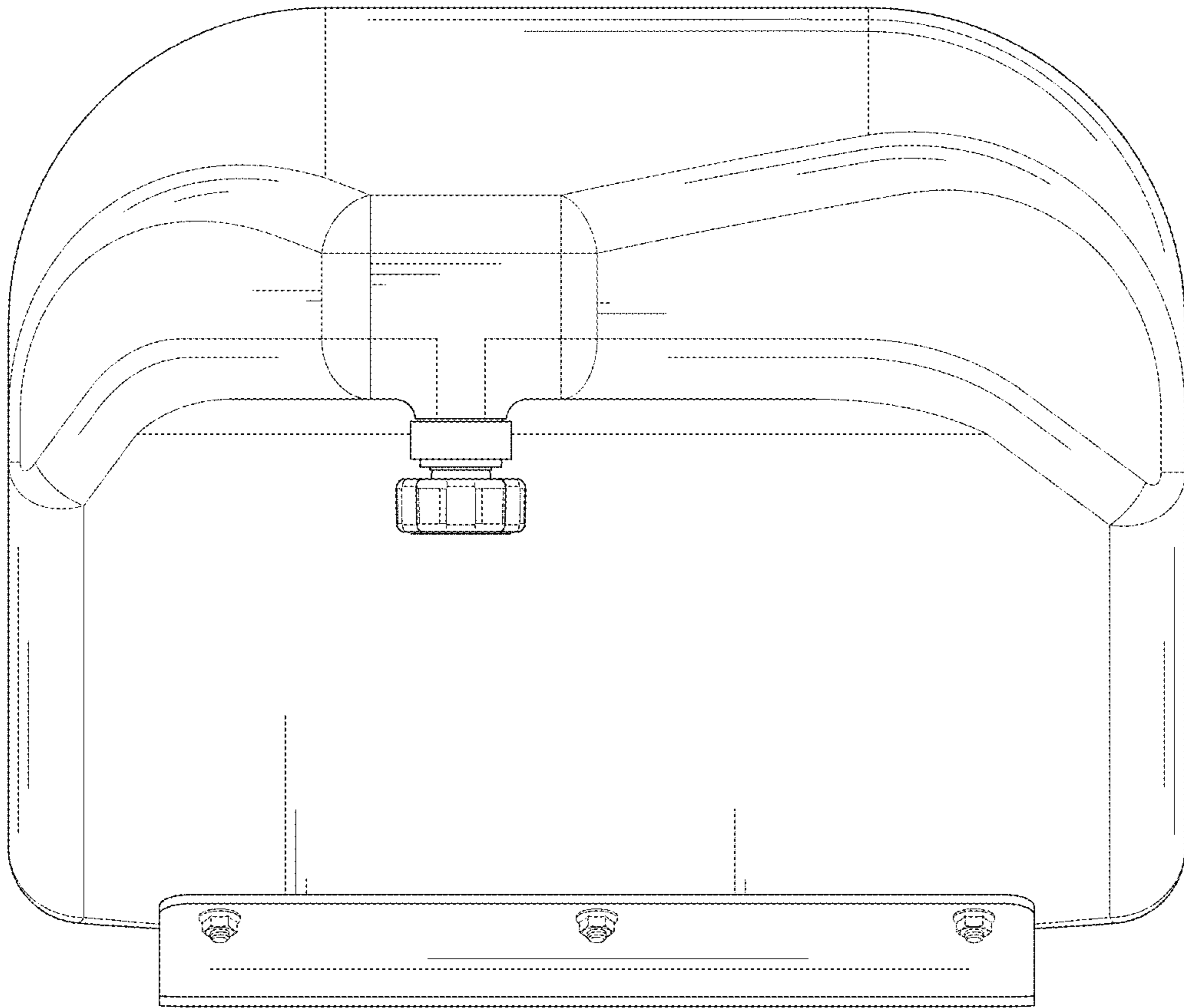


**FIG. 5**



**FIG. 6**





**FIG. 7**