

US00D790661S

(12) **United States Design Patent**  
**Burgdorf**

(10) **Patent No.:** **US D790,661 S**

(45) **Date of Patent:** **\*\* Jun. 27, 2017**

(54) **NOZZLE FOR FLUID DISTRIBUTION**

8,627,838 B2 \* 1/2014 Delaney ..... B05B 3/0445  
134/166 R

(71) Applicant: **Armaturenwerk Hoetensleben GmbH,**  
Hoetensleben (DE)

8,684,283 B2 \* 4/2014 Nies ..... B05B 3/021  
239/11

(72) Inventor: **Aldo Burgdorf,** Voelpke (DE)

8,820,664 B2 \* 9/2014 Sawalski ..... B67D 7/00  
239/548

(73) Assignee: **Armaturenwerk Hoetensleben GmbH**  
(DE)

8,926,845 B2 \* 1/2015 Bilski ..... B01D 37/025  
210/206

\* cited by examiner

(\*\*) Term: **15 Years**

*Primary Examiner* — Robin V Webster

(21) Appl. No.: **29/544,482**

(74) *Attorney, Agent, or Firm* — Gerald E. Hespos;  
Michael J. Porco; Matthew T. Hespos

(22) Filed: **Nov. 4, 2015**

(57) **CLAIM**

(51) **LOC (10) Cl.** ..... **23-01**

The ornamental design for a nozzle for fluid distribution, as shown and described.

(52) **U.S. Cl.**

USPC ..... **D23/213**

**DESCRIPTION**

(58) **Field of Classification Search**

USPC ..... D23/213, 214, 264; 239/548, 237;  
D24/201; 4/255.09

See application file for complete search history.

FIG. 1 is a perspective view of a nozzle for fluid distribution in accordance with my design.

FIG. 2 is a right side elevational view thereof;

FIG. 3 is a front elevational view thereof;

FIG. 4 is a left side elevational view thereof;

FIG. 5 is a rear elevational view thereof;

FIG. 6 is a top plan view; and,

FIG. 7 is a bottom plan view.

The broken line showing of interior in the FIG. 6 view is included for the purpose of illustrating and forms no part of the claimed design.

(56)

**References Cited**

**U.S. PATENT DOCUMENTS**

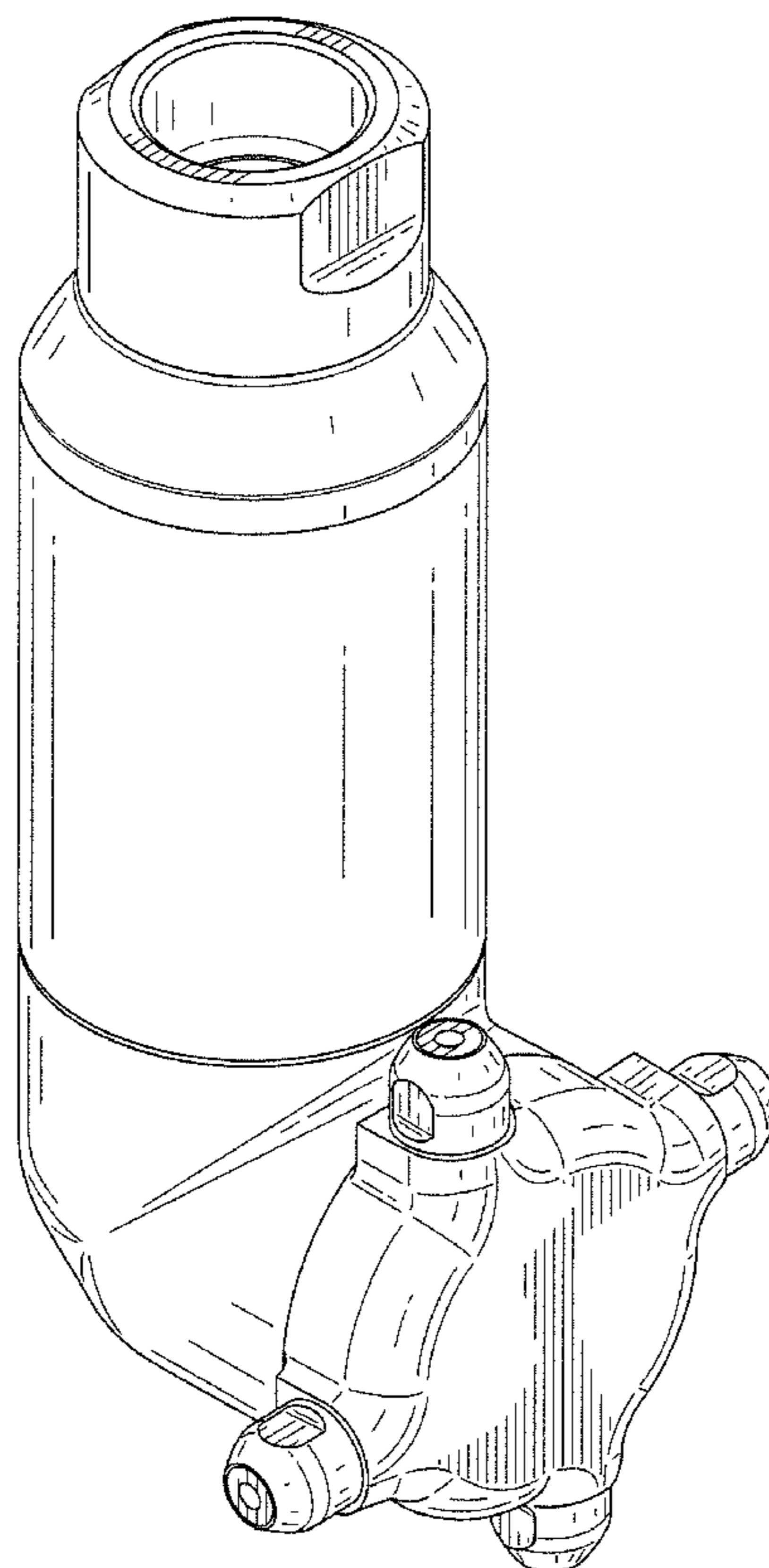
4,447,917 A \* 5/1984 Walter ..... E03C 1/306  
134/167 C

D449,892 S \* 10/2001 Lie ..... D24/201

7,793,864 B2 \* 9/2010 Decarne ..... B05B 3/0427  
134/166 C

D693,474 S \* 11/2013 Steimle ..... D24/201

**1 Claim, 7 Drawing Sheets**



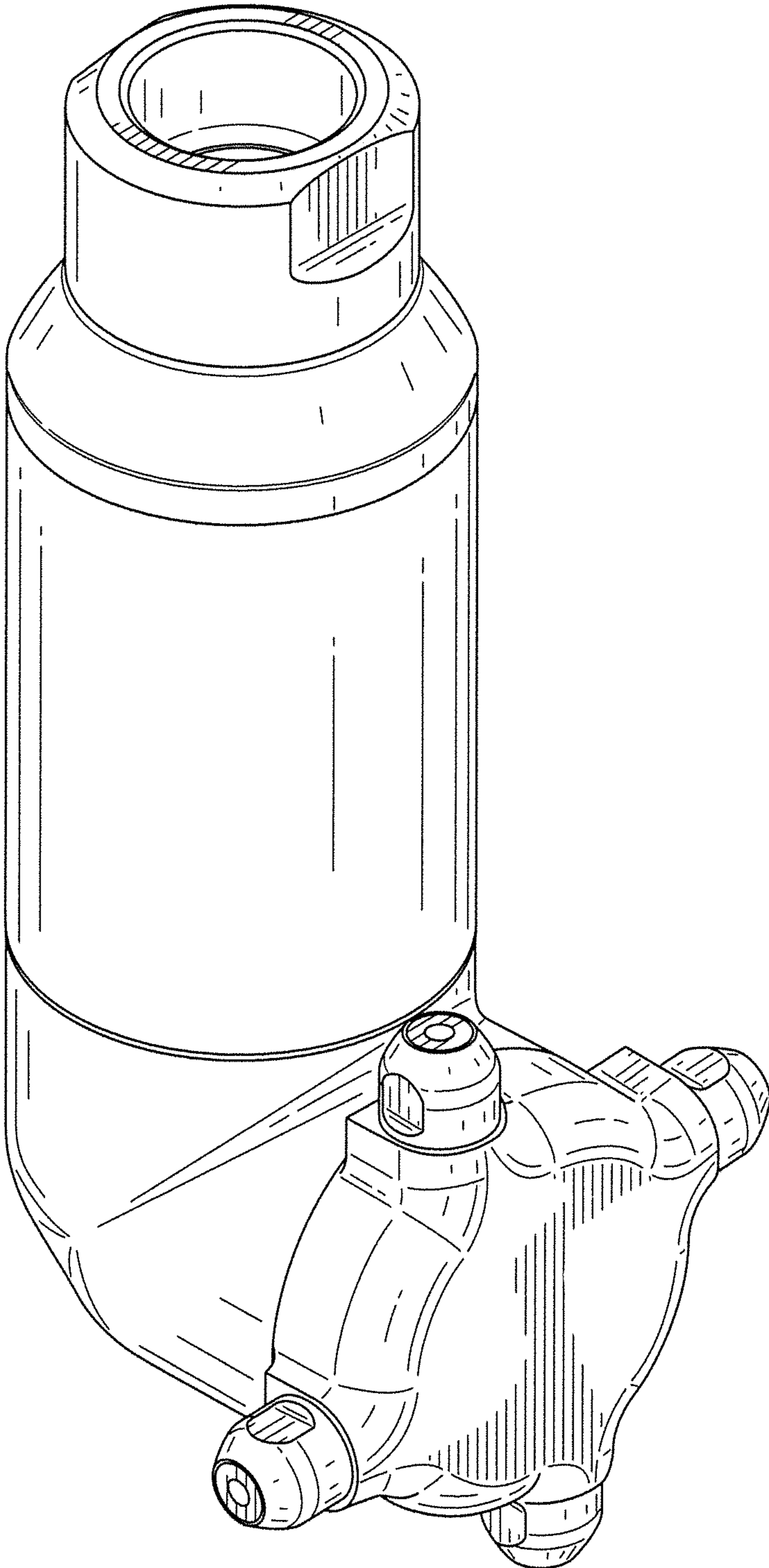


FIG. 1

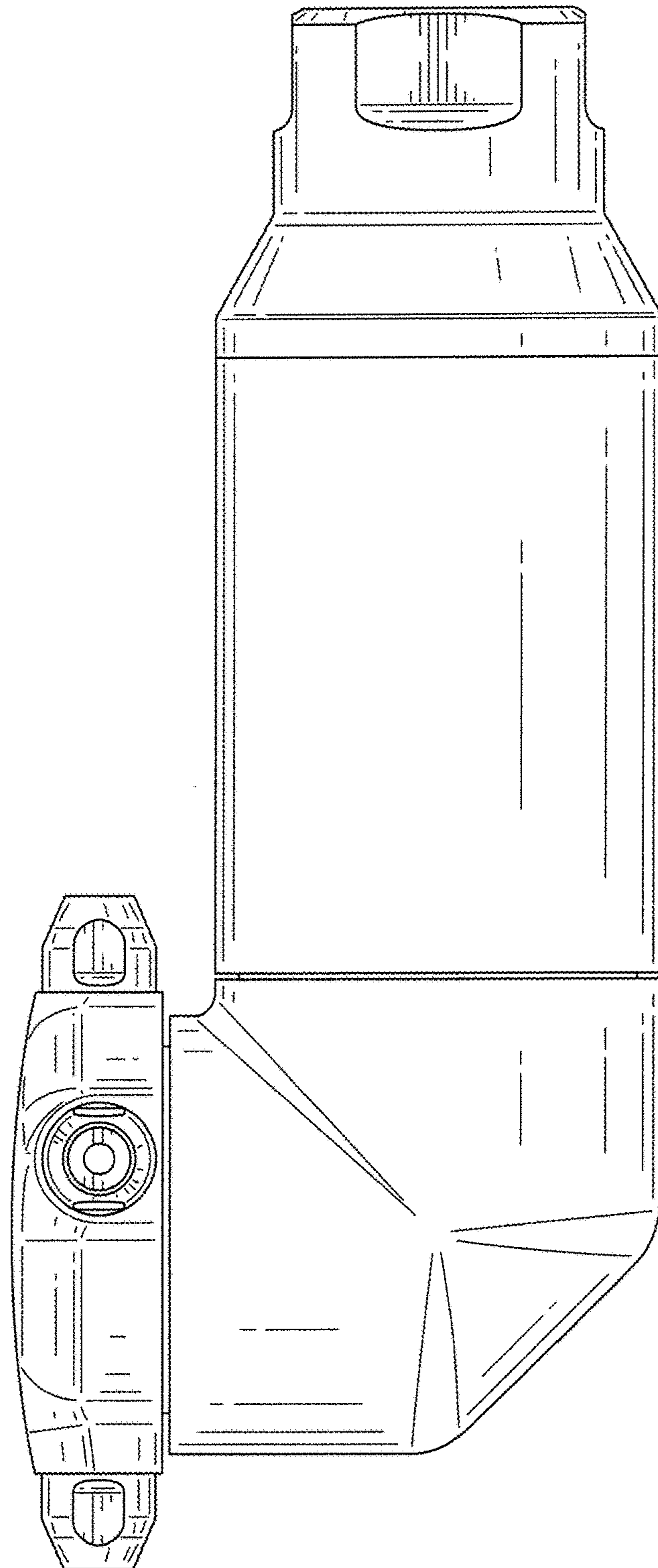


FIG. 2

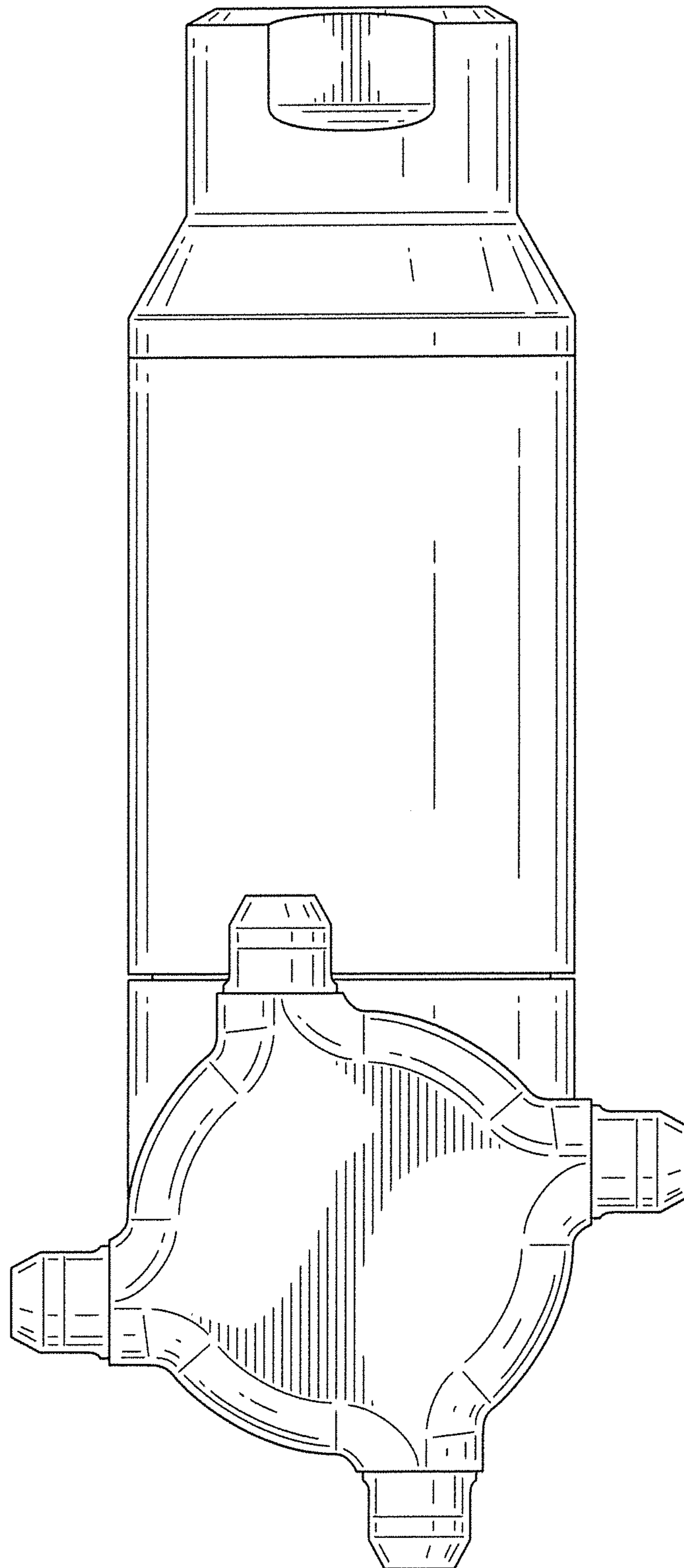


FIG. 3



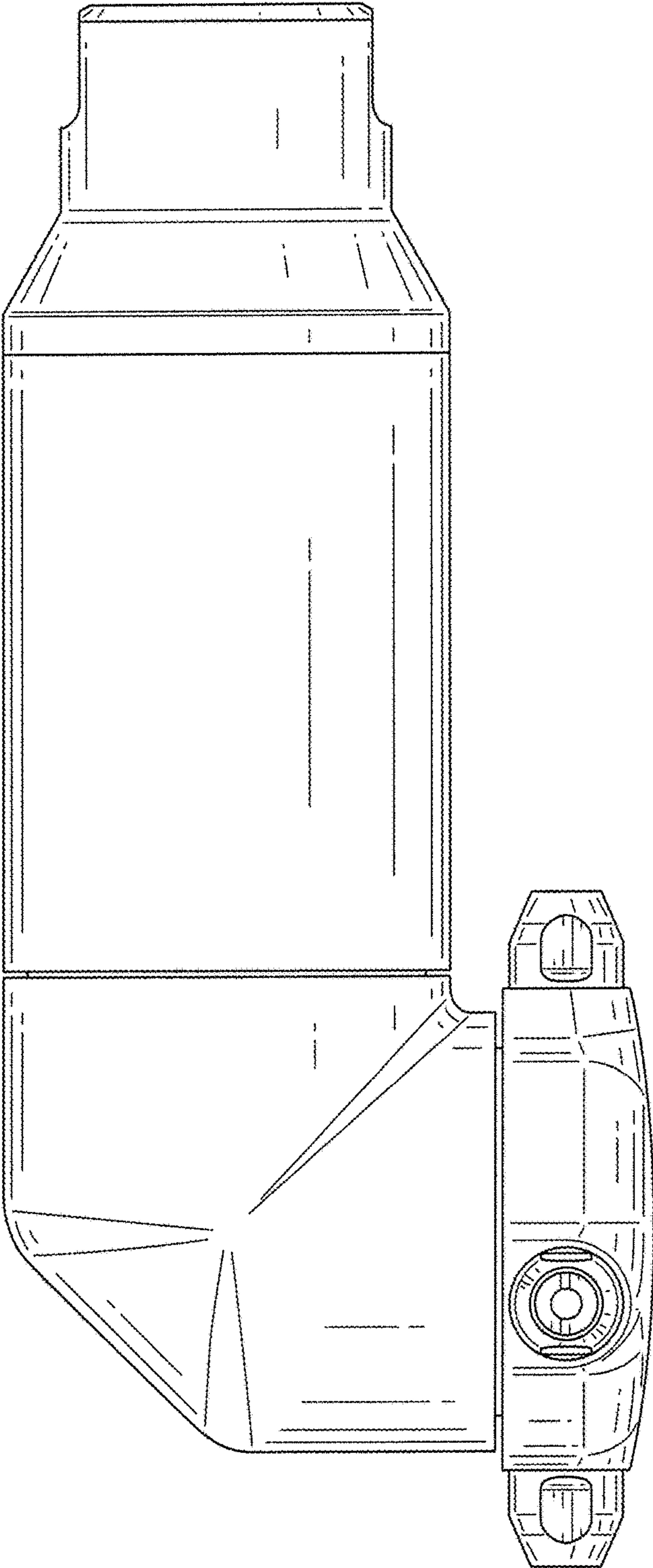


FIG. 4

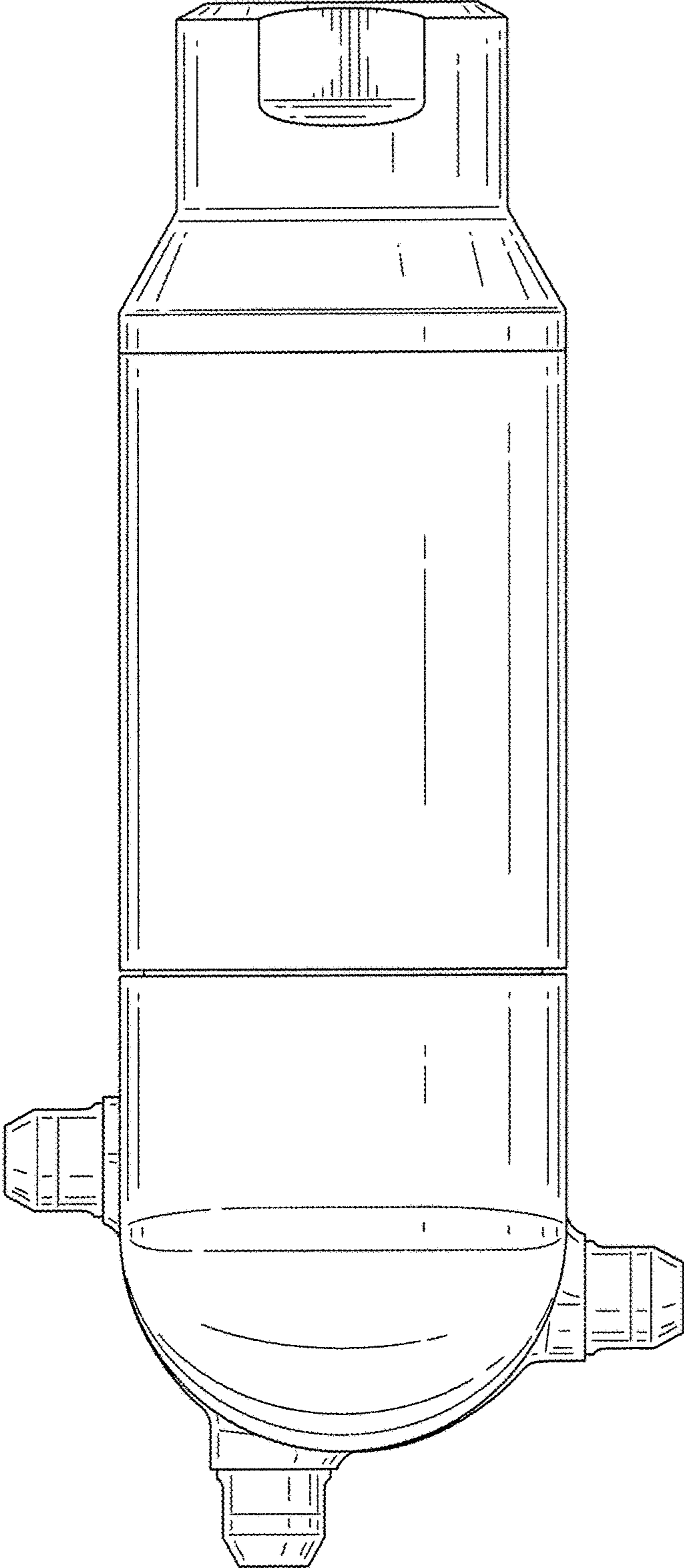


FIG. 5

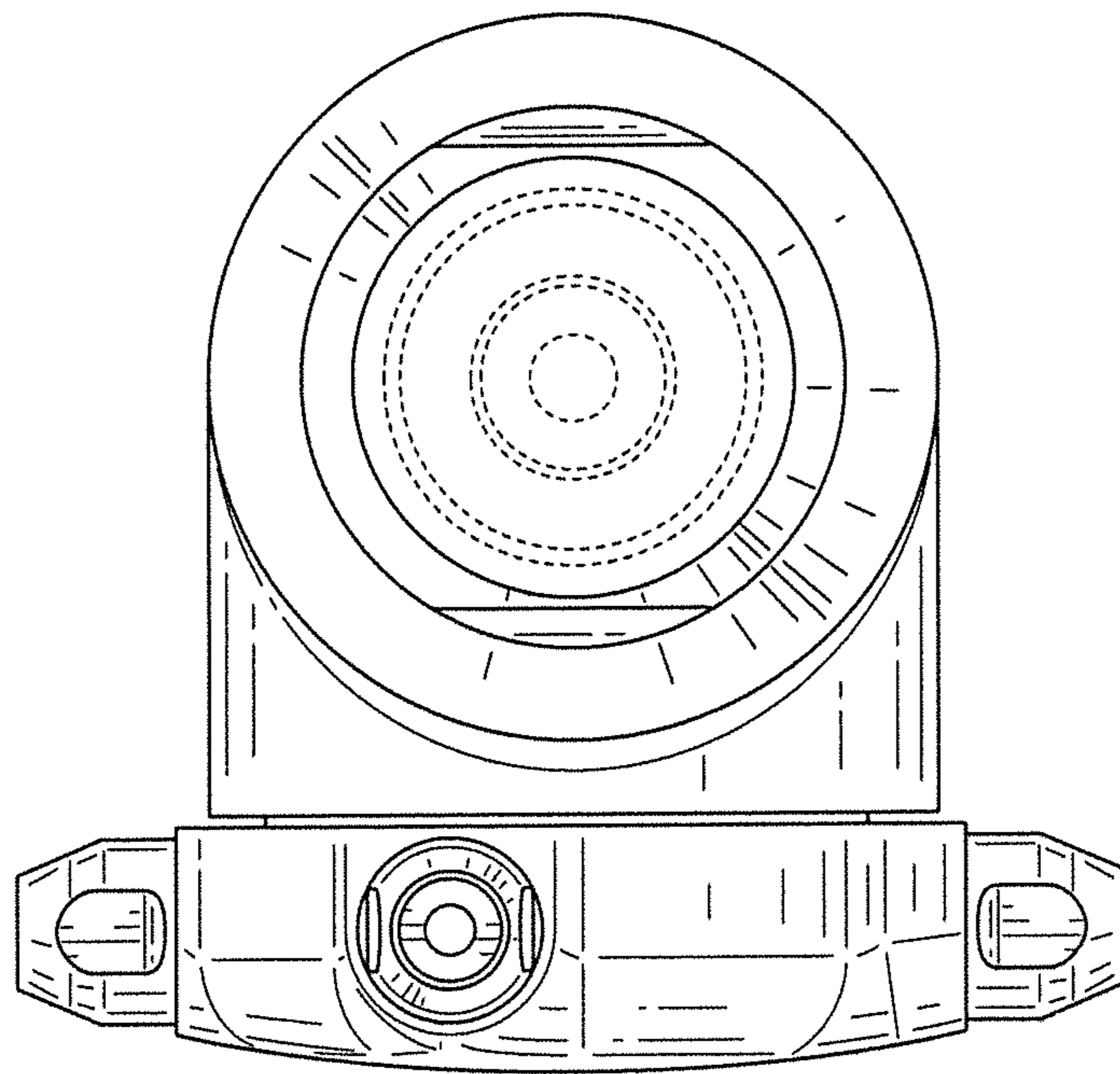


FIG. 6

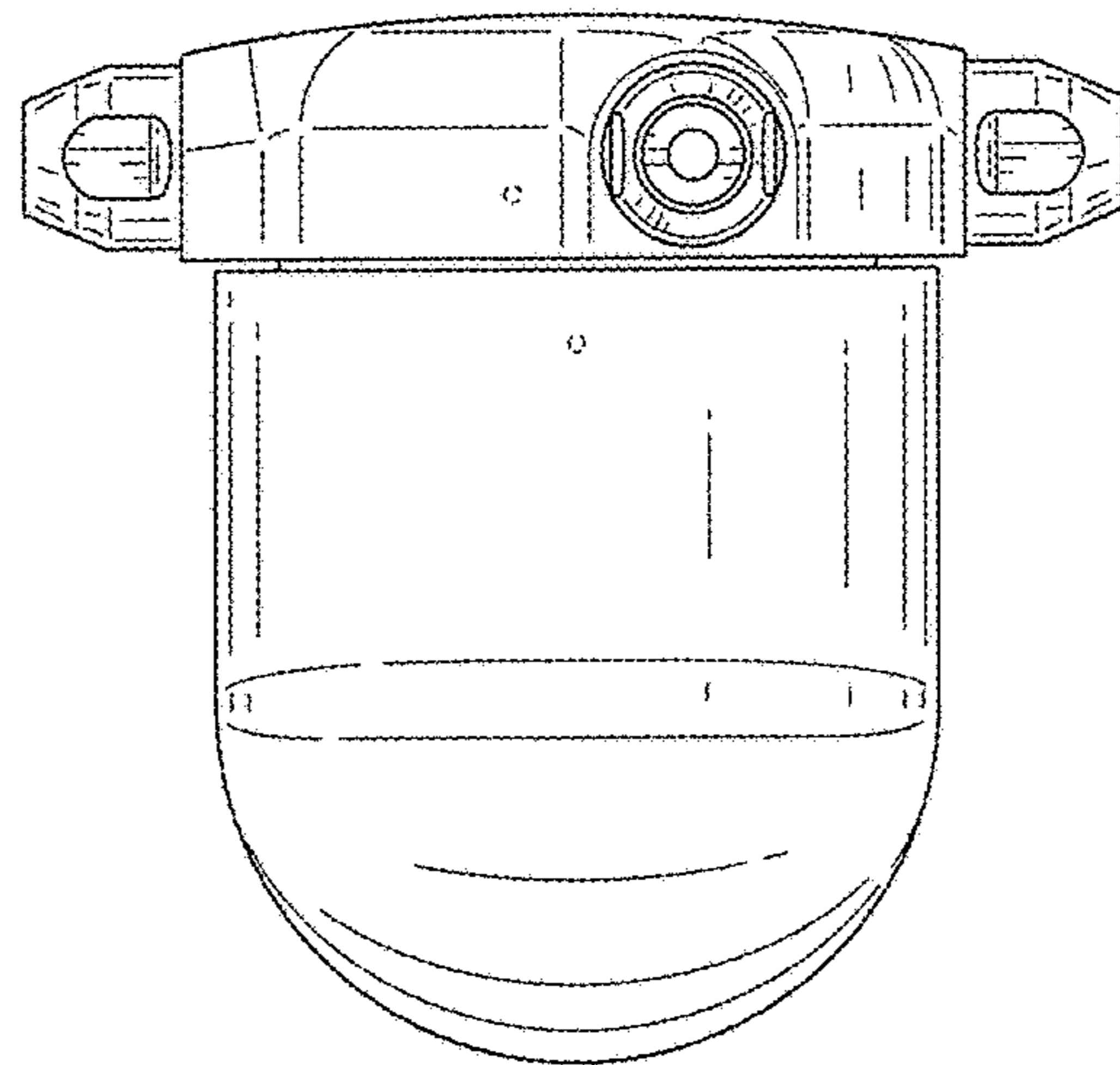


FIG. 7