



US00D790660S

(12) **United States Design Patent**  
**Zhadanov et al.**

(10) **Patent No.:** **US D790,660 S**  
(45) **Date of Patent:** **\*\* Jun. 27, 2017**

(54) **CONTAINER FOR SHOWER WATER FILTER**

6,187,187 B1 \* 2/2001 Farley ..... C02F 1/003  
210/222

(71) Applicants: **Eli Zhadanov**, Brooklyn, NY (US);  
**Sam Zhadanov**, Brooklyn, NY (US)

D441,048 S \* 4/2001 Archer ..... D23/209  
D462,108 S \* 8/2002 Farley ..... D23/209  
D487,497 S \* 3/2004 Ti ..... D23/209  
D667,925 S \* 9/2012 Farley ..... D23/209

(72) Inventors: **Eli Zhadanov**, Brooklyn, NY (US);  
**Sam Zhadanov**, Brooklyn, NY (US)

\* cited by examiner

(\*\*) Term: **15 Years**

*Primary Examiner* — Robin V Webster

(21) Appl. No.: **29/581,424**

(74) *Attorney, Agent, or Firm* — Henry M. Feiereisen  
LLC.

(22) Filed: **Oct. 19, 2016**

(57) **CLAIM**

(51) **LOC (10) Cl.** ..... **23-01**

The ornamental design for a container for shower water  
filter, as shown and described.

(52) **U.S. Cl.**

USPC ..... **D23/209**

(58) **Field of Classification Search**

**DESCRIPTION**

USPC ..... D23/207, 208, 209; 210/446–447, 449;  
239/289

CPC ..... C02F 1/003; B01D 35/04; B01D 35/30  
See application file for complete search history.

FIG. 1 is a perspective view of a new a container for shower  
water filter in accordance with my design;

(56) **References Cited**

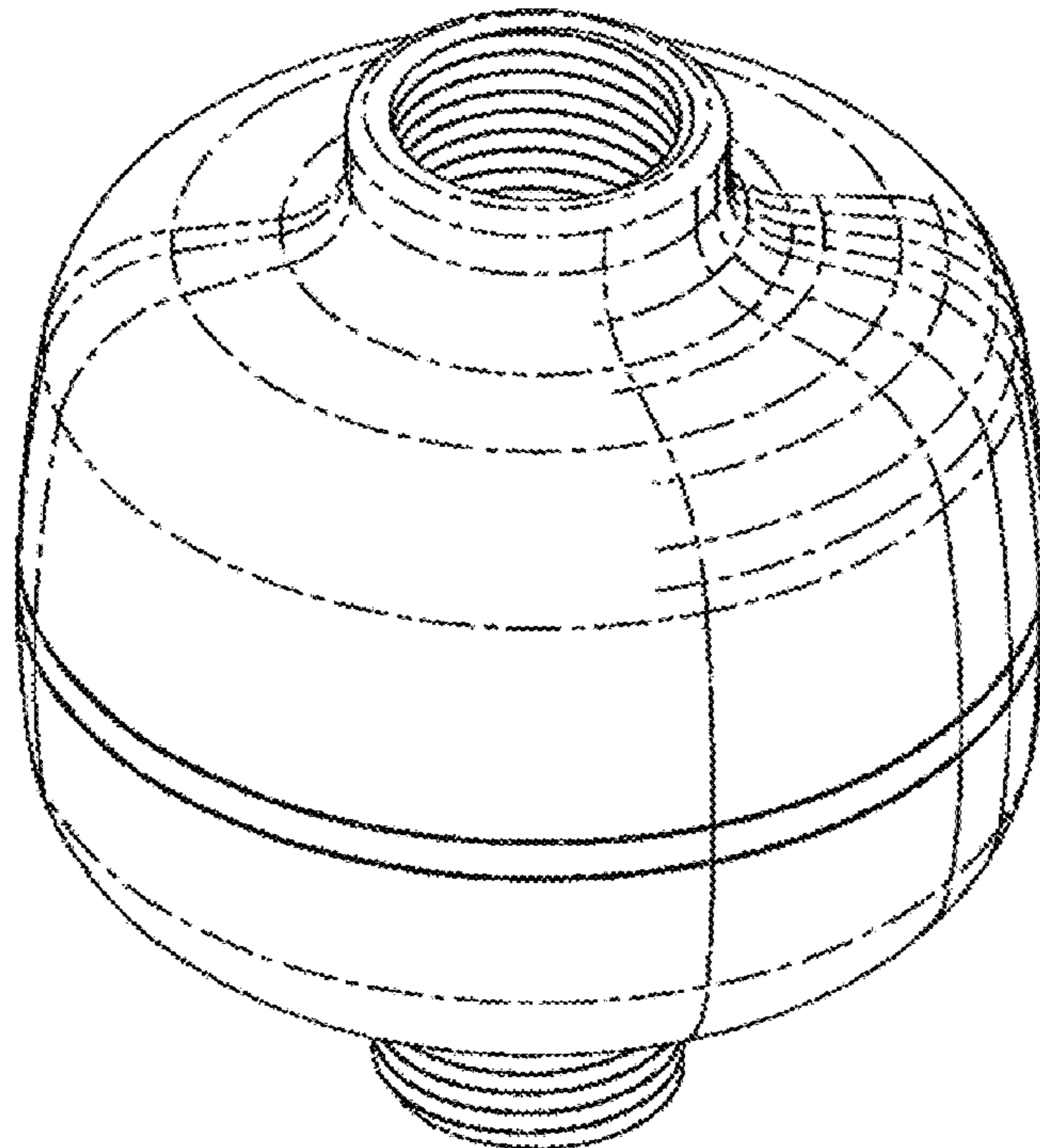
**U.S. PATENT DOCUMENTS**

D243,458 S \* 2/1977 Pall ..... D23/209  
D361,622 S \* 8/1995 Farley ..... D23/209  
D364,446 S \* 11/1995 Farley ..... D23/209  
5,549,822 A \* 8/1996 Ferguson ..... B01D 29/055  
210/238  
D406,874 S \* 3/1999 Farley ..... D23/209  
D416,072 S \* 11/1999 Douglas ..... D23/209  
6,096,197 A \* 8/2000 Hughes ..... C02F 1/003  
210/232

FIG. 2 is a front side view of the new container for shower  
water filter shown in FIG. 1 in accordance with my design,  
with a rear side view being identical to the front side view;  
FIG. 3 is a top plan view of the new container for shower  
water filter shown in FIG. 1 in accordance with my design;  
FIG. 4 is a bottom plan view of the new container for shower  
water filter shown in FIG. 1 in accordance with my design;  
and,

FIG. 5 is a right side view of the new container for shower  
water filter shown in FIG. 1 in accordance with my design,  
with a left side view being identical to the right side view.

**1 Claim, 2 Drawing Sheets**



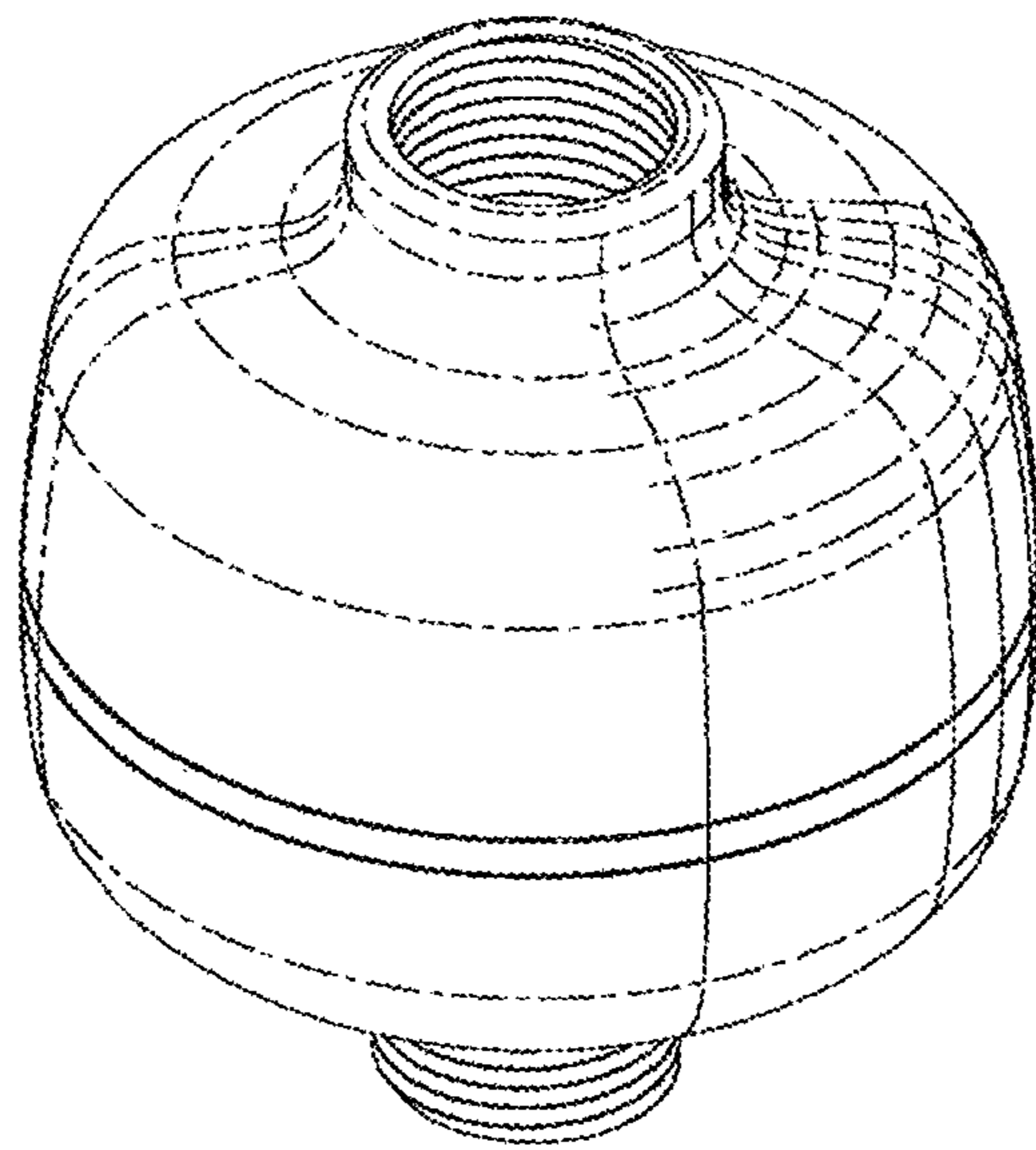


FIG. 1

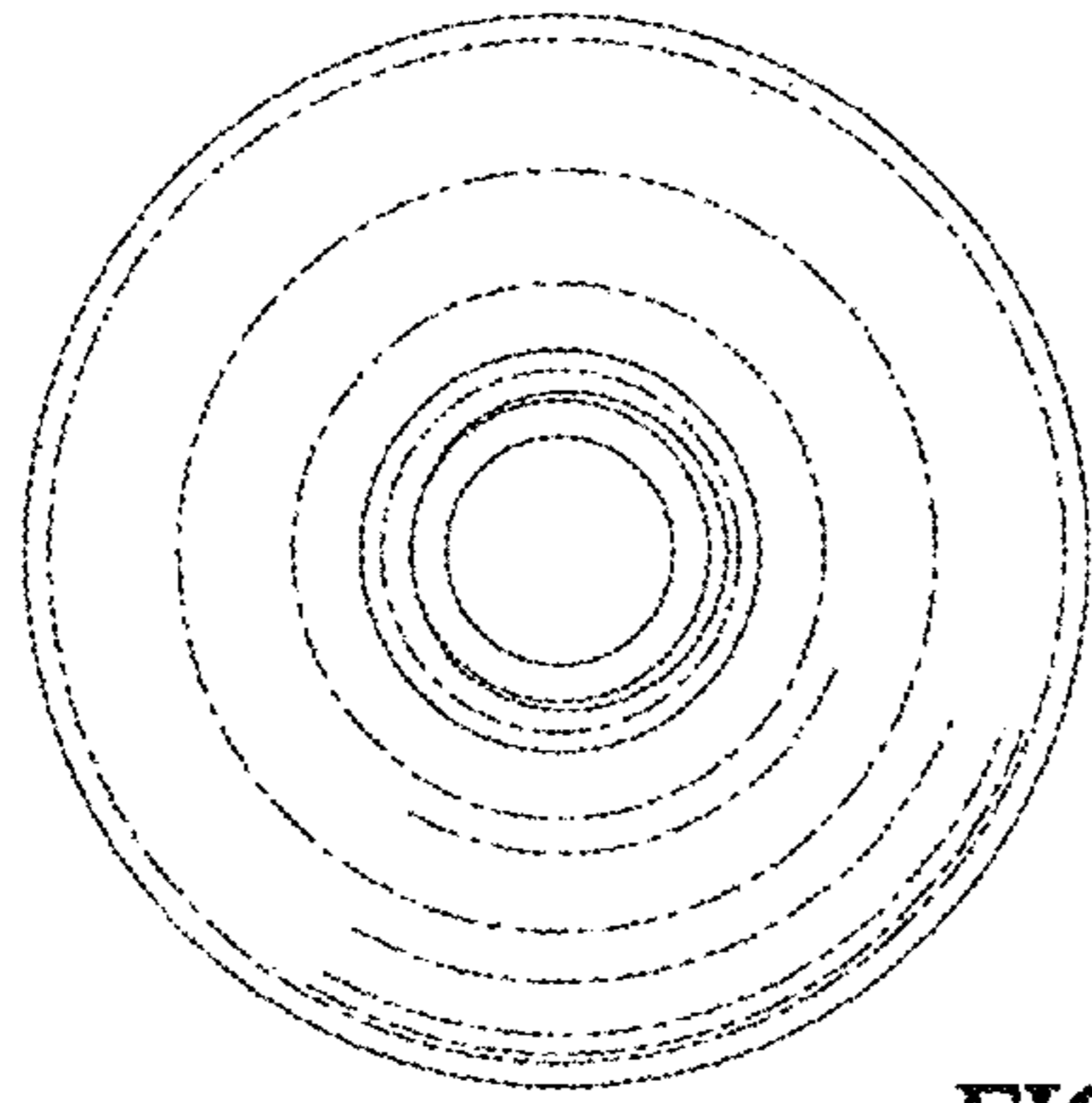


FIG. 3

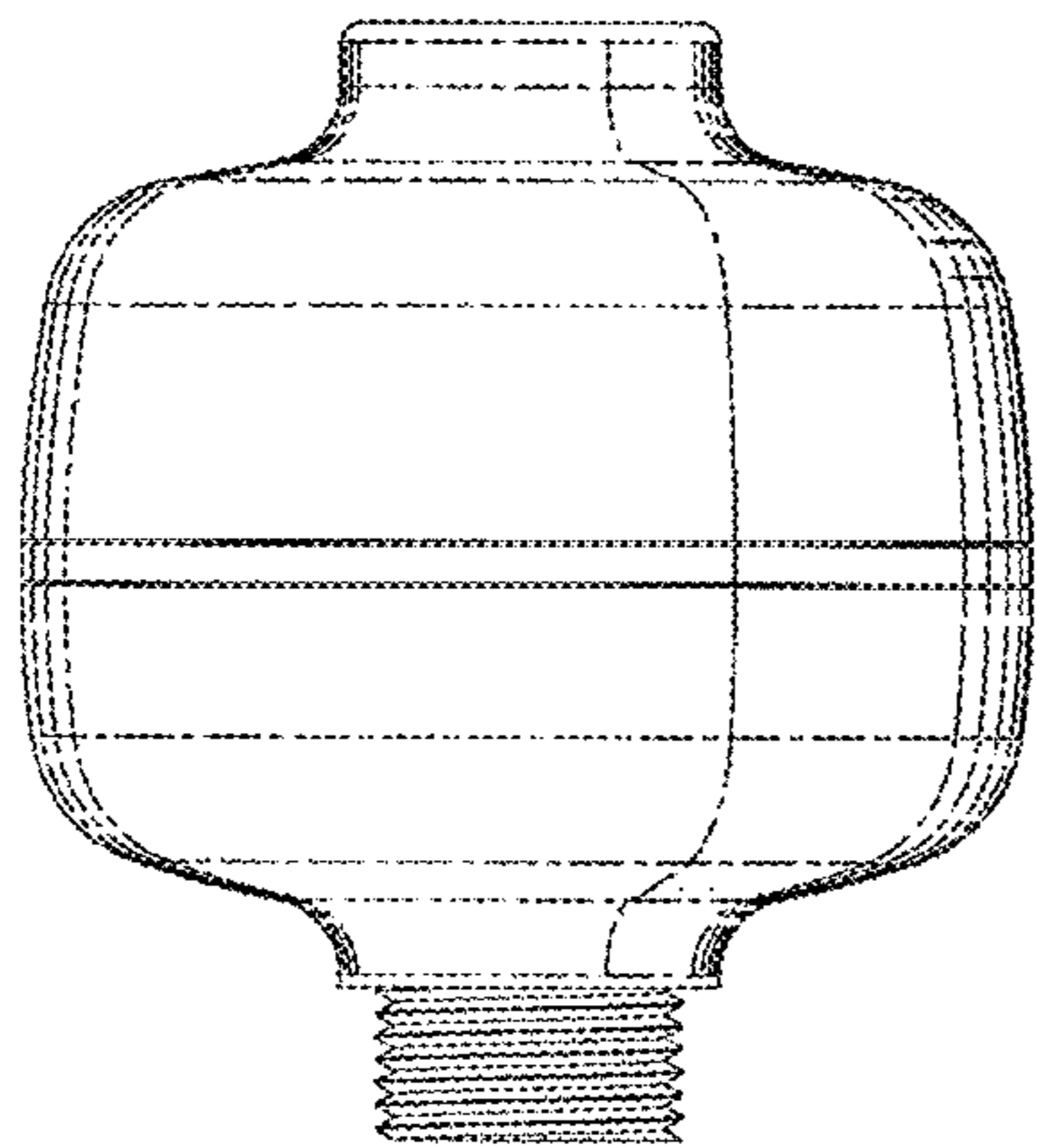


FIG. 2

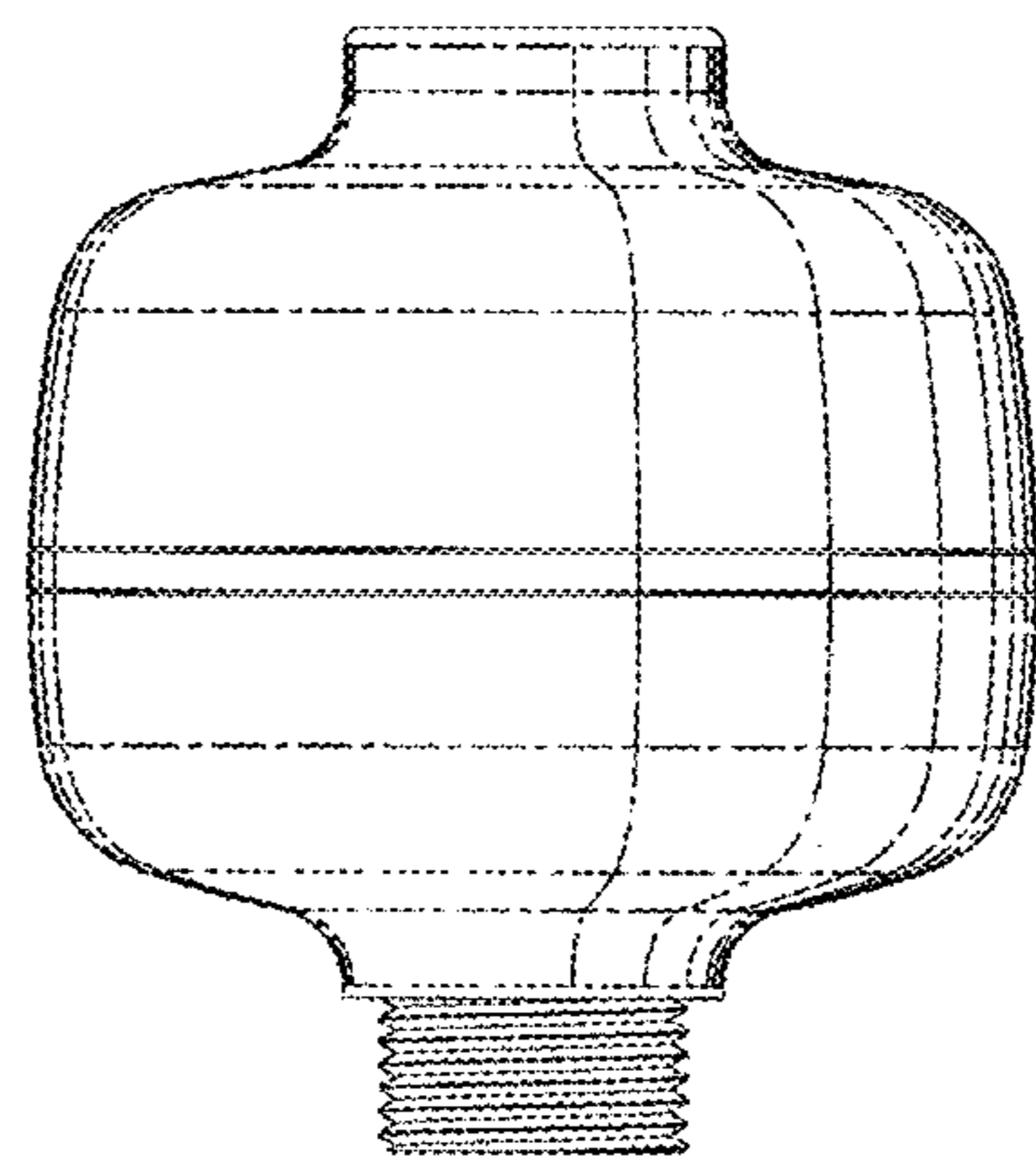


FIG. 5

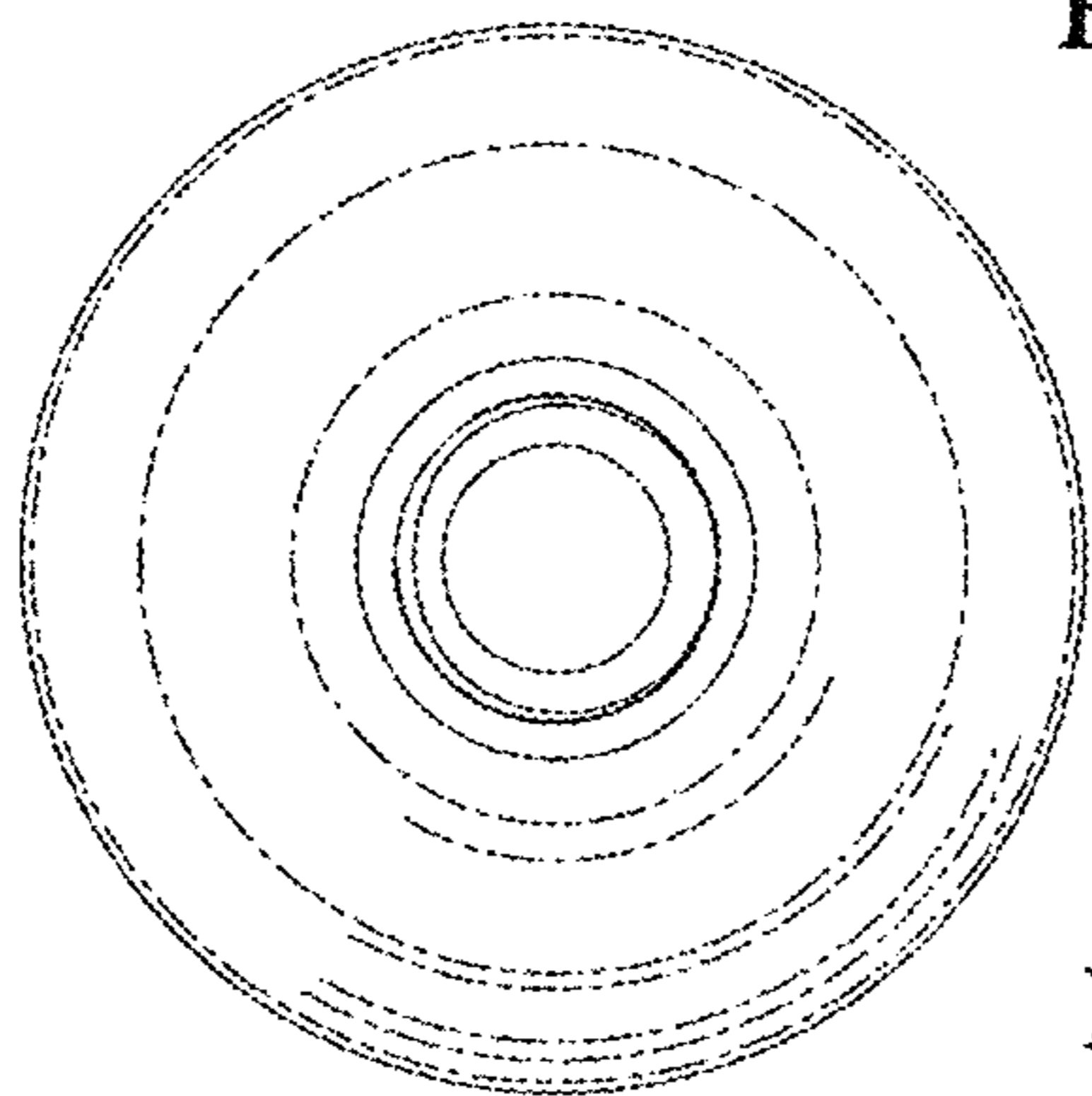


FIG. 4