

US00D790659S

(12) **United States Design Patent**  
**Rummel et al.**

(10) **Patent No.:** **US D790,659 S**

(45) **Date of Patent:** **\*\* \*Jun. 27, 2017**

(54) **FILTER CARTRIDGE**

(71) Applicant: **BRITA GMBH**, Taunusstein (DE)

(72) Inventors: **Christian Rummel**, Benningen (DE);  
**Tim Storti**, Schwieberdingen (DE)

(73) Assignee: **Brita GMBH**, Taunusstein (DE)

(\*) Notice: This patent is subject to a terminal disclaimer.

(\*\*) Term: **15 Years**

(21) Appl. No.: **29/558,535**

(22) Filed: **Mar. 18, 2016**

(30) **Foreign Application Priority Data**

Sep. 22, 2015 (DE) ..... 40 2015 001 539

(51) **LOC (10) Cl.** ..... **23-01**

(52) **U.S. Cl.**  
USPC ..... **D23/209**

(58) **Field of Classification Search**  
USPC ..... D23/207, 209; 210/232, 234, 235, 236,  
210/244, 497.01, 266, 282  
CPC .... B01D 35/30; B01D 35/153; B01D 29/111;  
C02F 1/003  
See application file for complete search history.

(56) **References Cited**

**U.S. PATENT DOCUMENTS**

D284,300 S \* 6/1986 Hodgkins ..... D23/209  
D328,487 S \* 8/1992 Woodruff ..... D23/209

6,558,542 B2 \* 5/2003 Cyrson ..... B01D 29/01  
210/209  
D501,912 S \* 2/2005 Tanner ..... D23/209  
7,615,152 B2 \* 11/2009 Tanner ..... B01D 39/2058  
210/257.1  
7,722,761 B2 \* 5/2010 Moretto ..... C02F 1/003  
210/109  
D751,168 S \* 3/2016 Takeda ..... D23/207  
D751,169 S \* 3/2016 Takeda ..... D23/207  
D770,010 S \* 10/2016 Poindexter ..... D23/209

\* cited by examiner

*Primary Examiner* — Robin V Webster

(74) *Attorney, Agent, or Firm* — Hudak, Shunk & Farine  
Co., LPA

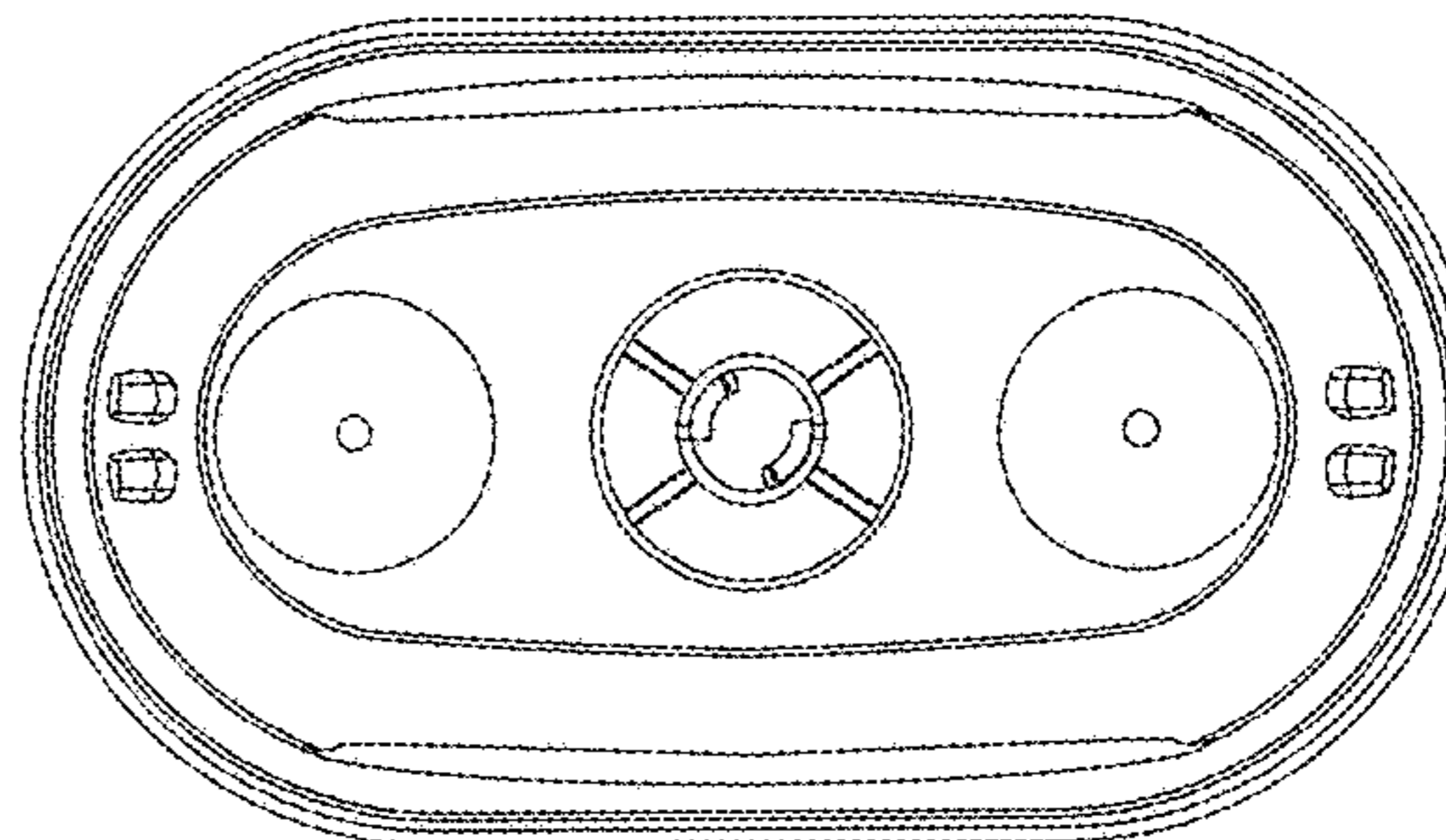
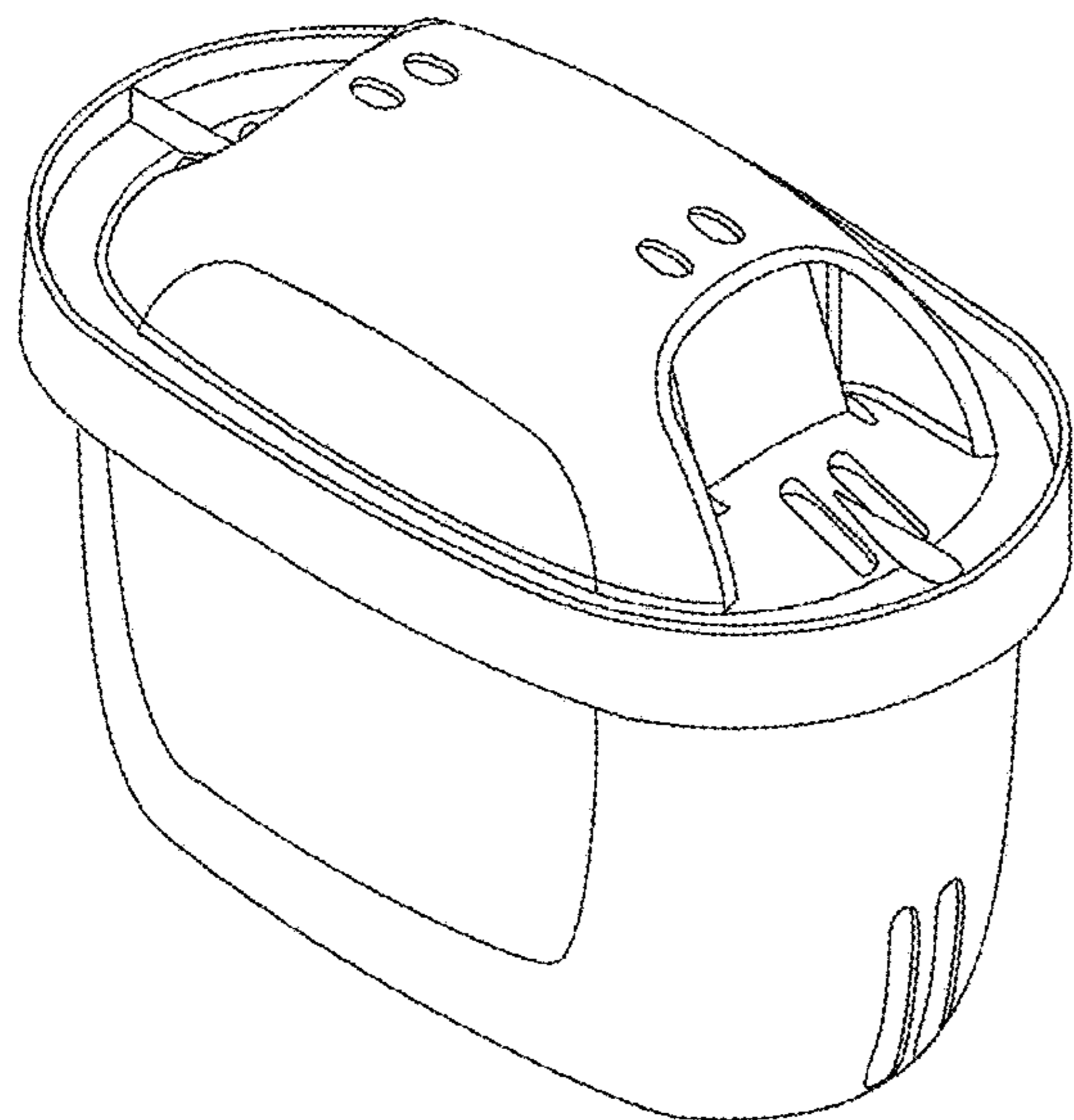
(57) **CLAIM**

The ornamental design for a “filter cartridge,” as shown and described.

**DESCRIPTION**

FIG. 1 is a right front perspective view of the filter cartridge showing our new design;  
FIG. 2 is a right side view thereof;  
FIG. 3 is a left side view thereof;  
FIG. 4 is a front view thereof;  
FIG. 5 is a rear view thereof;  
FIG. 6 is a top view thereof; and,  
FIG. 7 is a bottom view thereof.

**1 Claim, 7 Drawing Sheets**



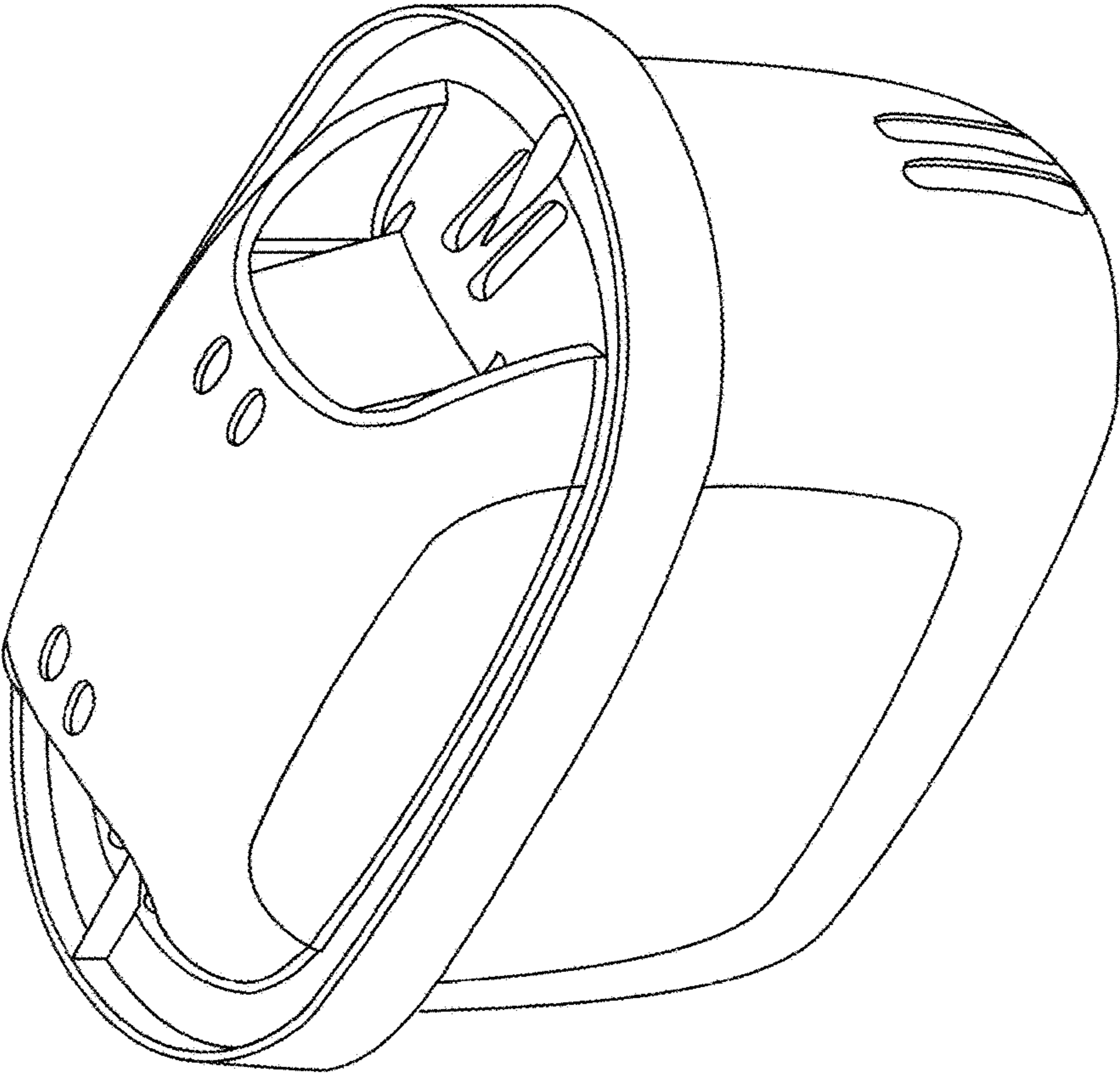


Fig. 1

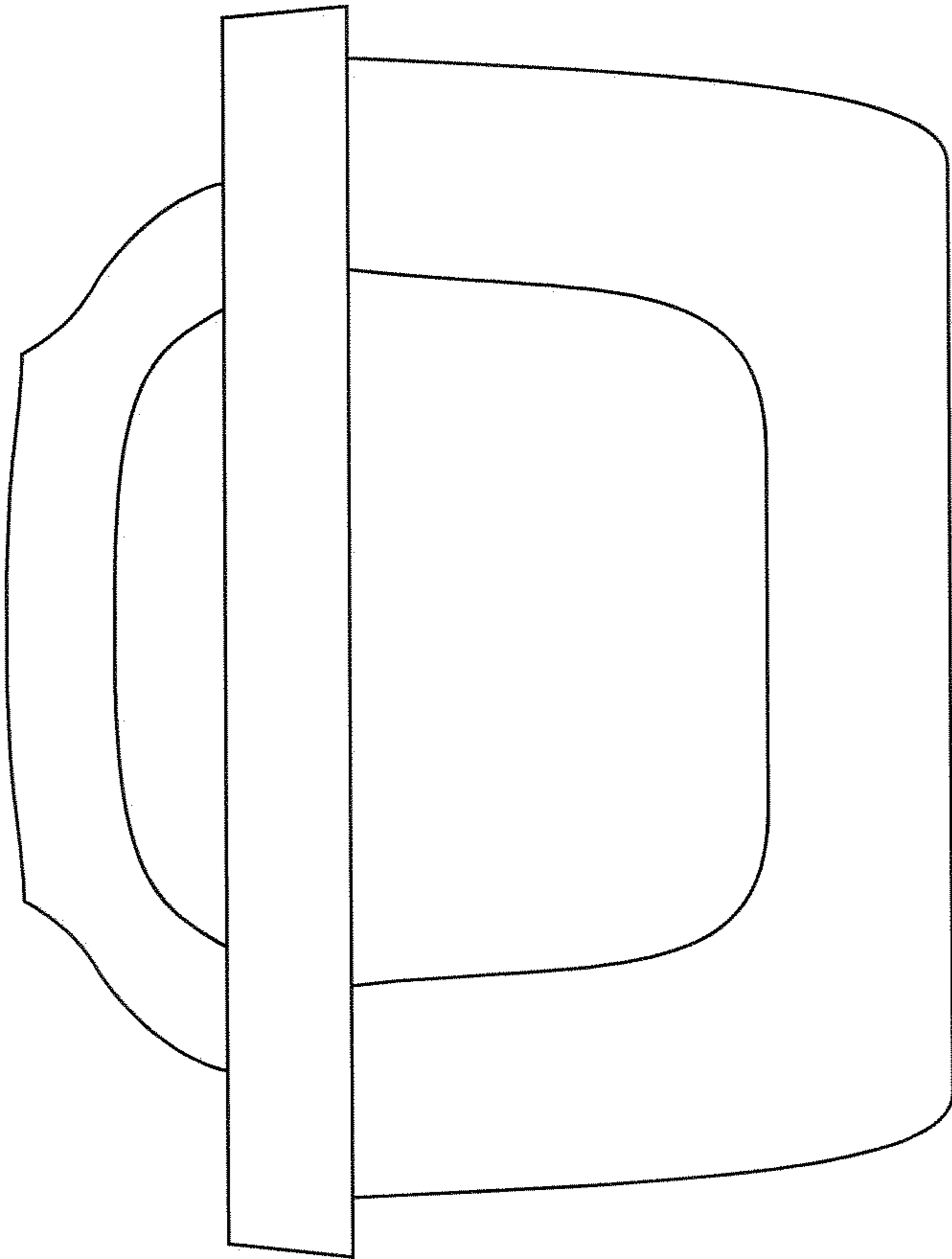


Fig. 2

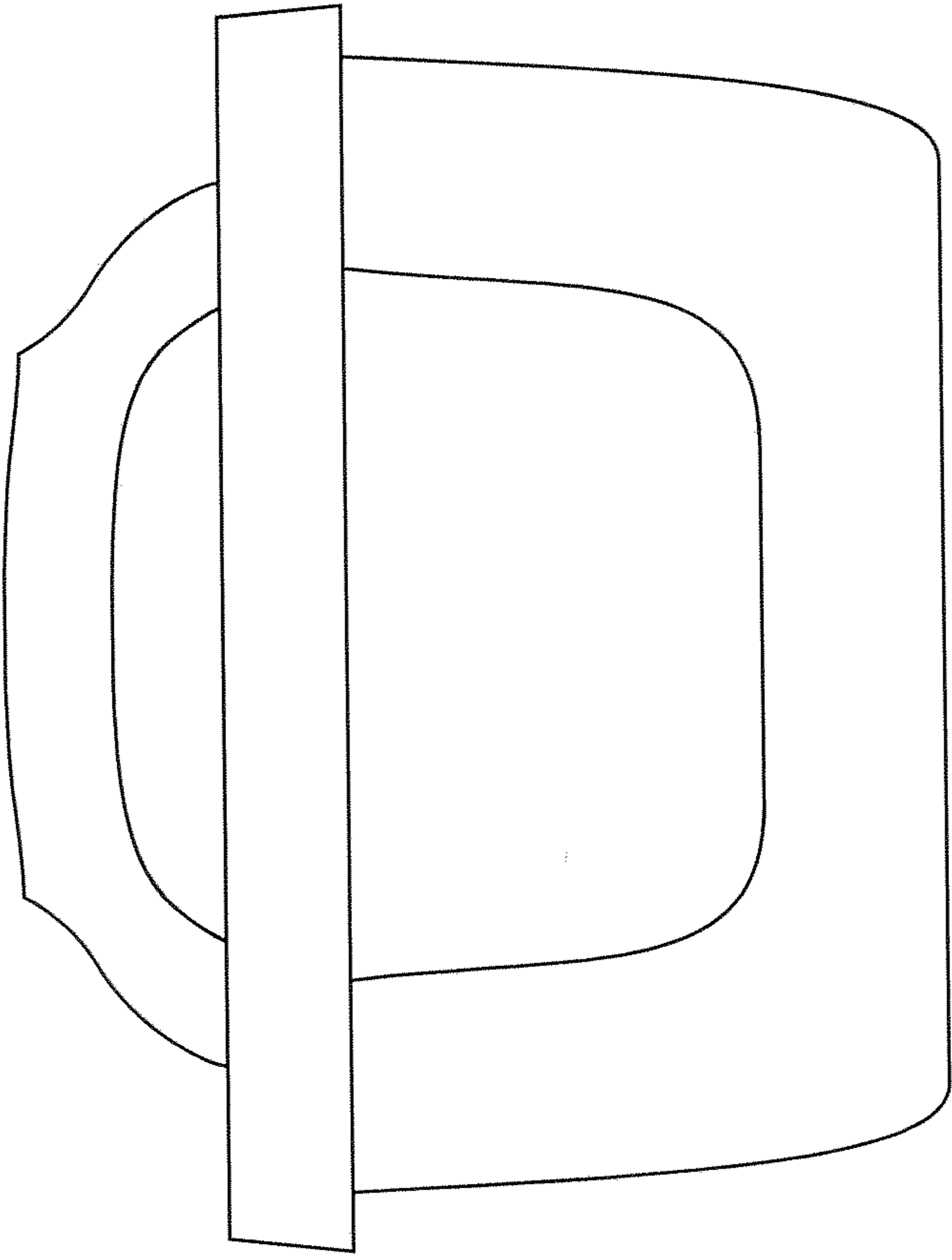


Fig. 3

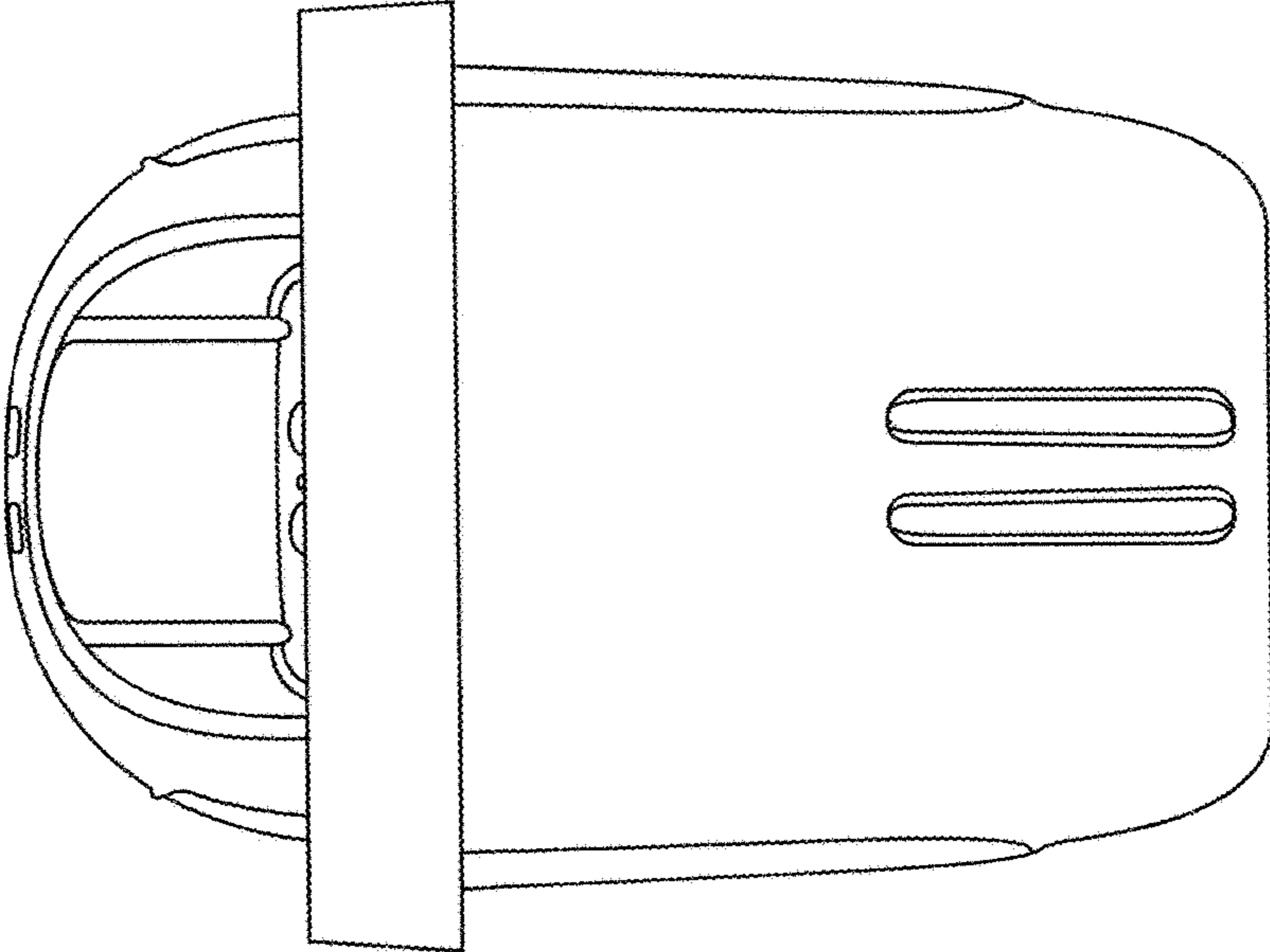


Fig. 4

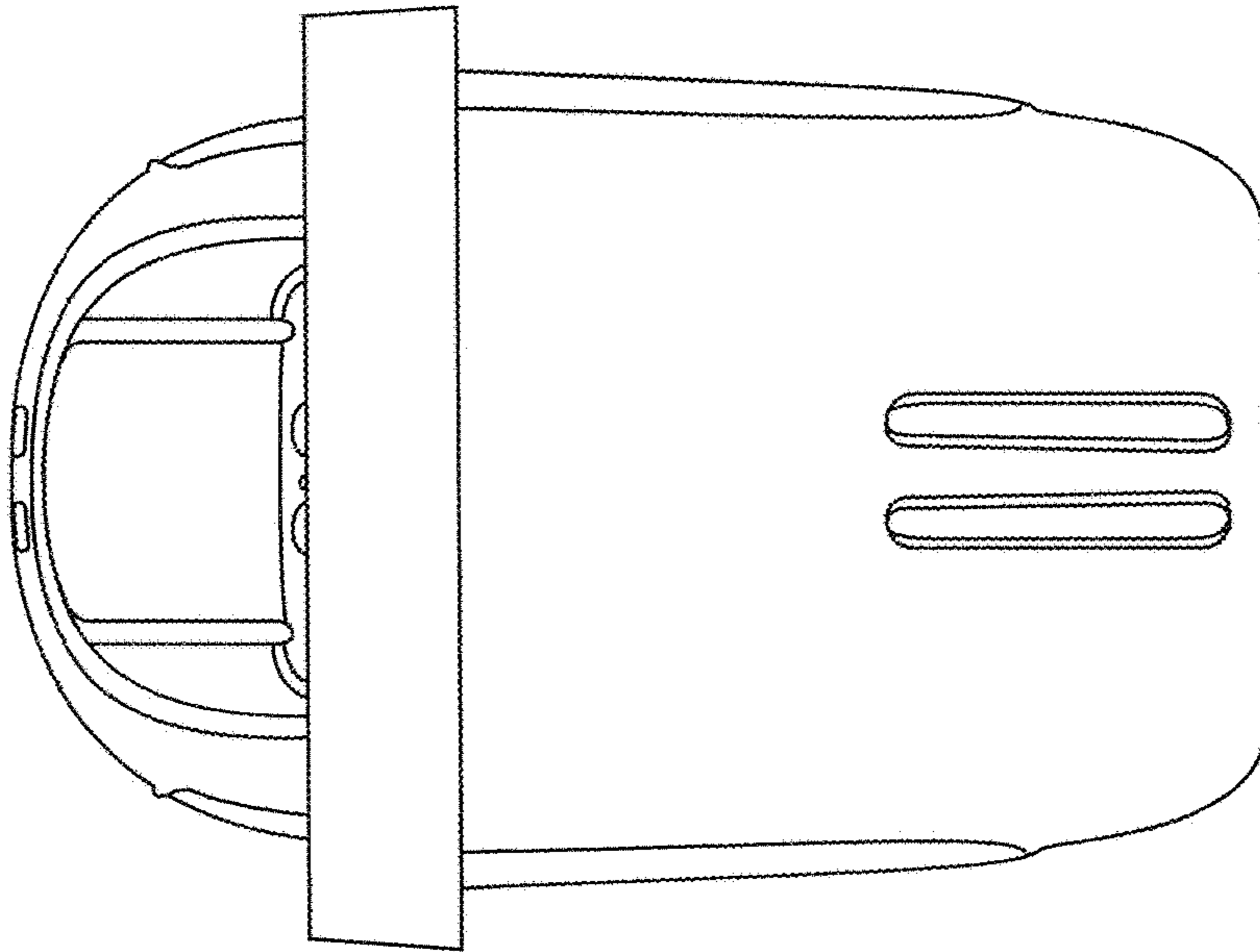


Fig. 5

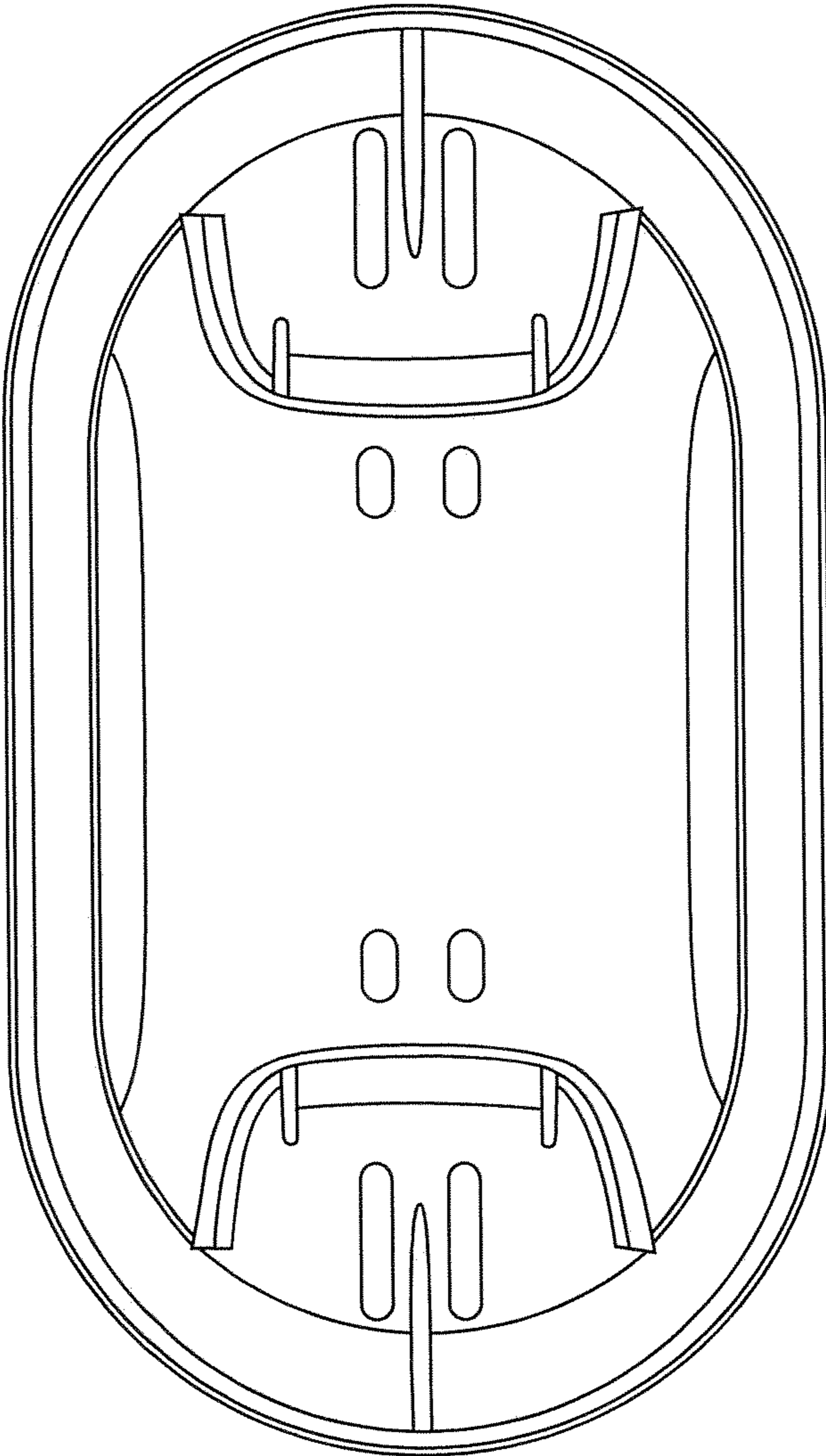


Fig. 6

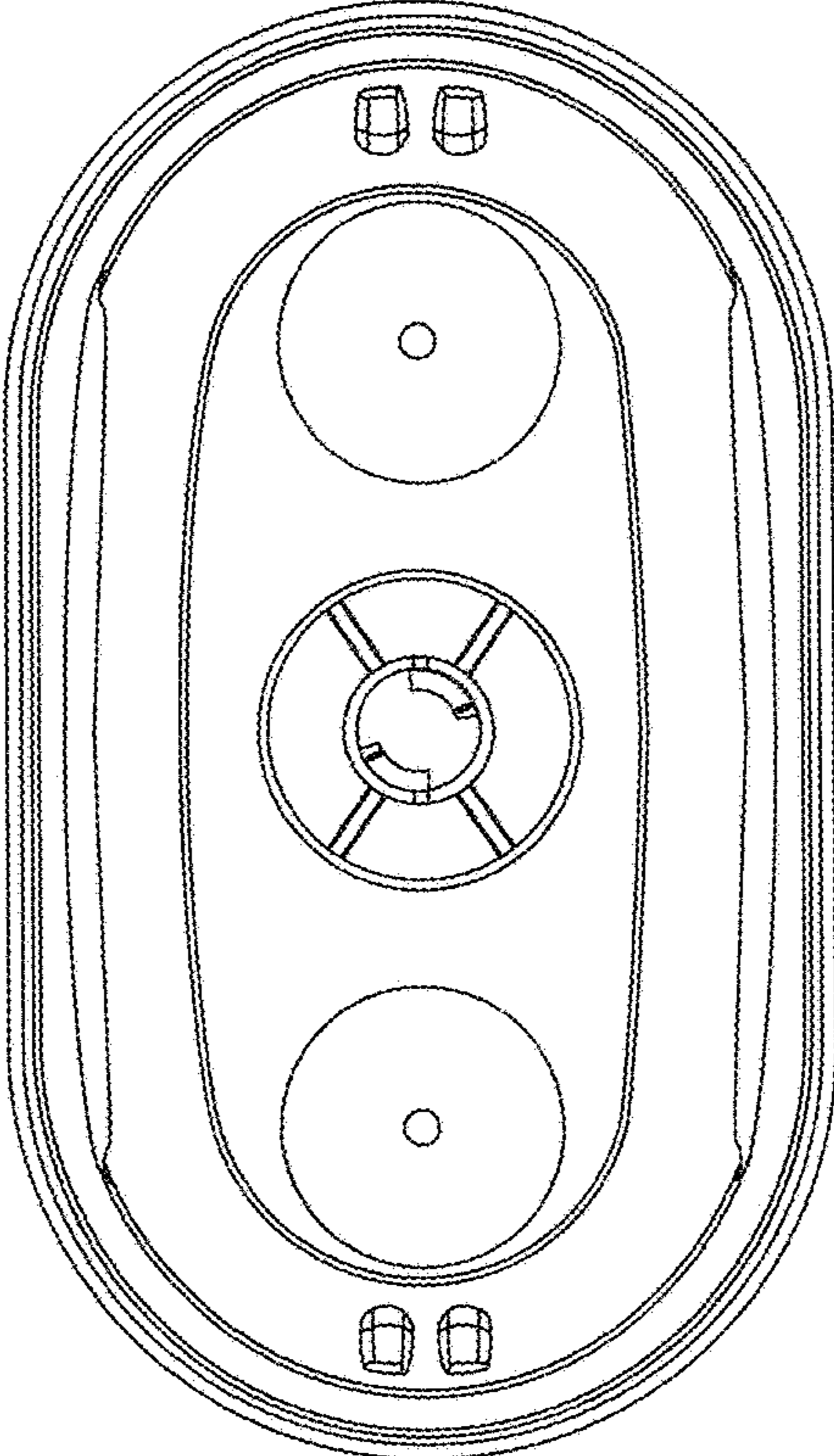


Fig. 7