



US00D790657S

(12) **United States Design Patent**  
**Noble et al.**

(10) **Patent No.:** **US D790,657 S**

(45) **Date of Patent:** **\*\* Jun. 27, 2017**

- (54) **BOWFISHING REEL**
- (71) Applicants: **Joshua Noble**, Las Vegas, NV (US);  
**Brett Bennett**, Mantua, UT (US);  
**Trevor Mecham**, Logan, UT (US)
- (72) Inventors: **Joshua Noble**, Las Vegas, NV (US);  
**Brett Bennett**, Mantua, UT (US);  
**Trevor Mecham**, Logan, UT (US)
- (73) Assignee: **Joshua Noble**, Las Vegas, NV (US)

(\*\*) Term: **15 Years**

(21) Appl. No.: **29/557,658**

(22) Filed: **Mar. 10, 2016**

(51) **LOC (10) Cl.** ..... **22-05**

(52) **U.S. Cl.**  
USPC ..... **D22/140**

(58) **Field of Classification Search**  
USPC ..... D22/137-141; 124/23.1, 86; 43/4.5,  
43/5-6, 19-22, 24  
CPC ..... A01K 81/00; A01K 81/04; A01K 89/08;  
A01K 91/02; F41B 5/1484; F41B 5/1488  
See application file for complete search history.

(56) **References Cited**

**U.S. PATENT DOCUMENTS**

- 4,383,516 A 5/1983 La See
- 4,924,619 A \* 5/1990 Dowell ..... A01K 81/04  
124/79

- D443,333 S \* 6/2001 Gibson ..... D22/140
- 6,634,350 B2 10/2003 LaSee
- D561,868 S \* 2/2008 Wong ..... D22/140
- D561,869 S \* 2/2008 Wong ..... D22/140
- 9,043,999 B1 \* 6/2015 Boester ..... A01K 89/02
- 9,101,119 B2 8/2015 Dunlop et al.
- D741,646 S \* 10/2015 Supple ..... D22/140
- 2012/0285430 A1 \* 11/2012 Dunlop ..... A01K 89/0108  
124/23.1
- 2014/0332615 A1 11/2014 Braun et al.

\* cited by examiner

*Primary Examiner* — Catheri Oliver-Garcia

(74) *Attorney, Agent, or Firm* — Thorpe North & Western LLP

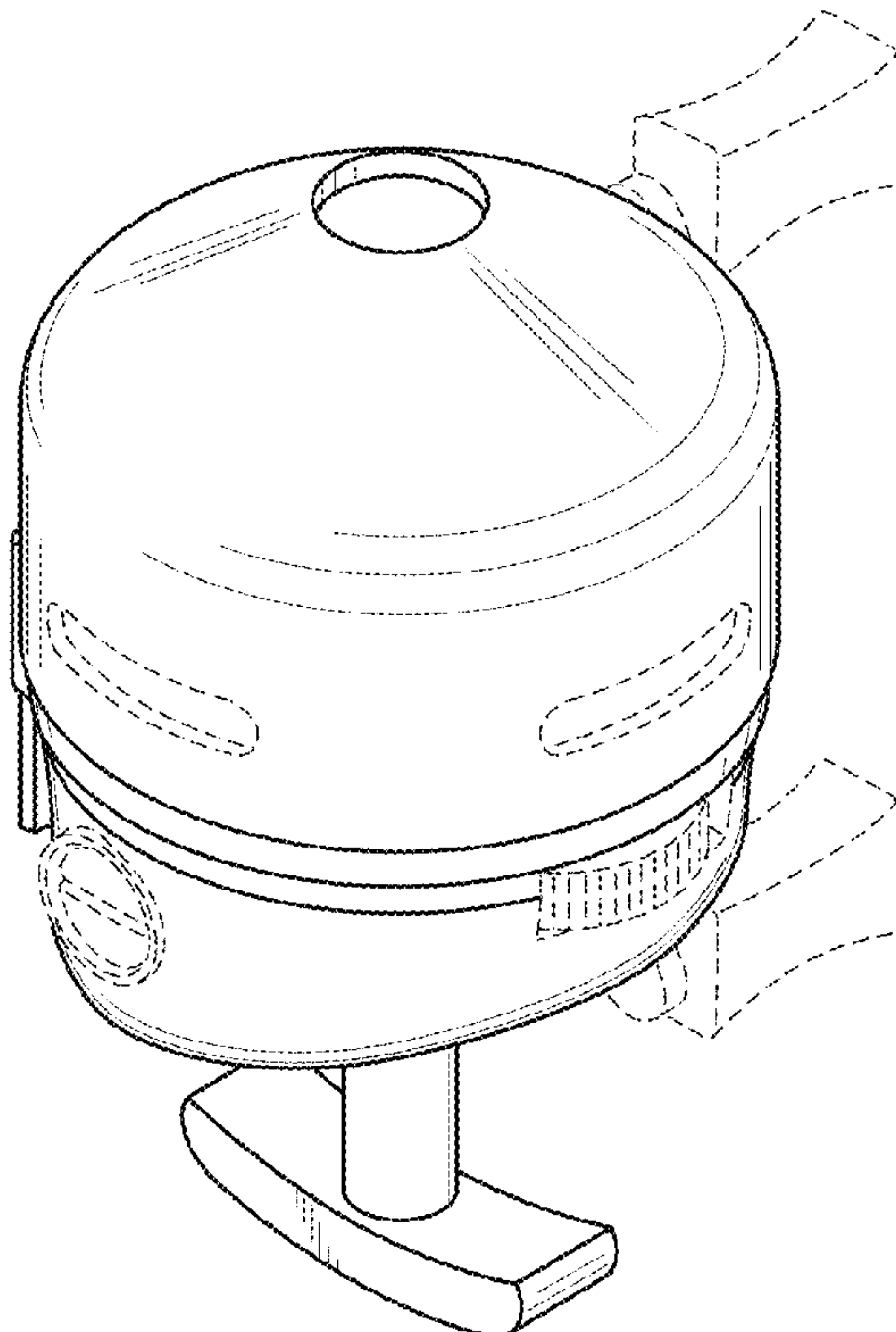
(57) **CLAIM**

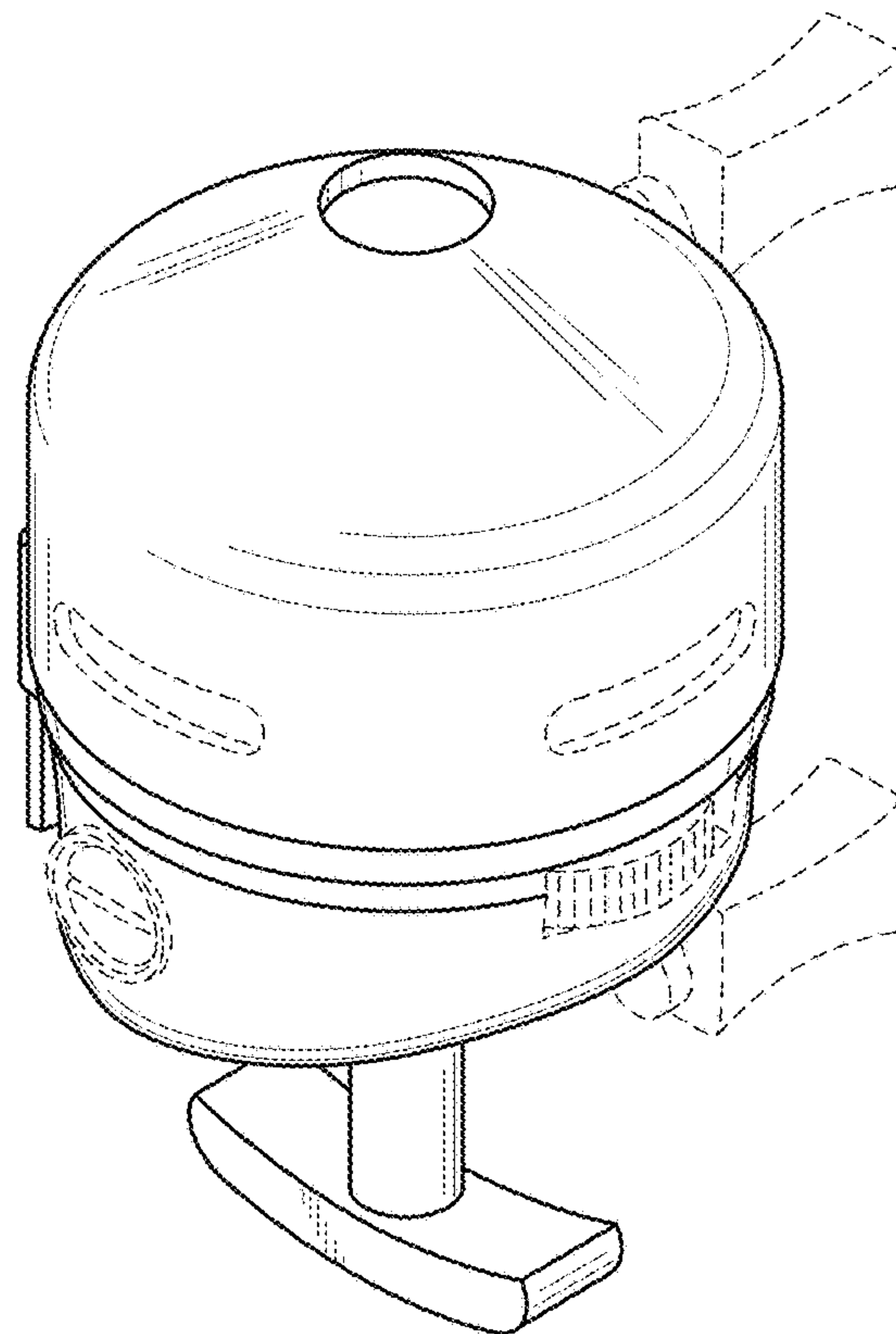
The ornamental design for a bowfishing reel, as shown and described.

**DESCRIPTION**

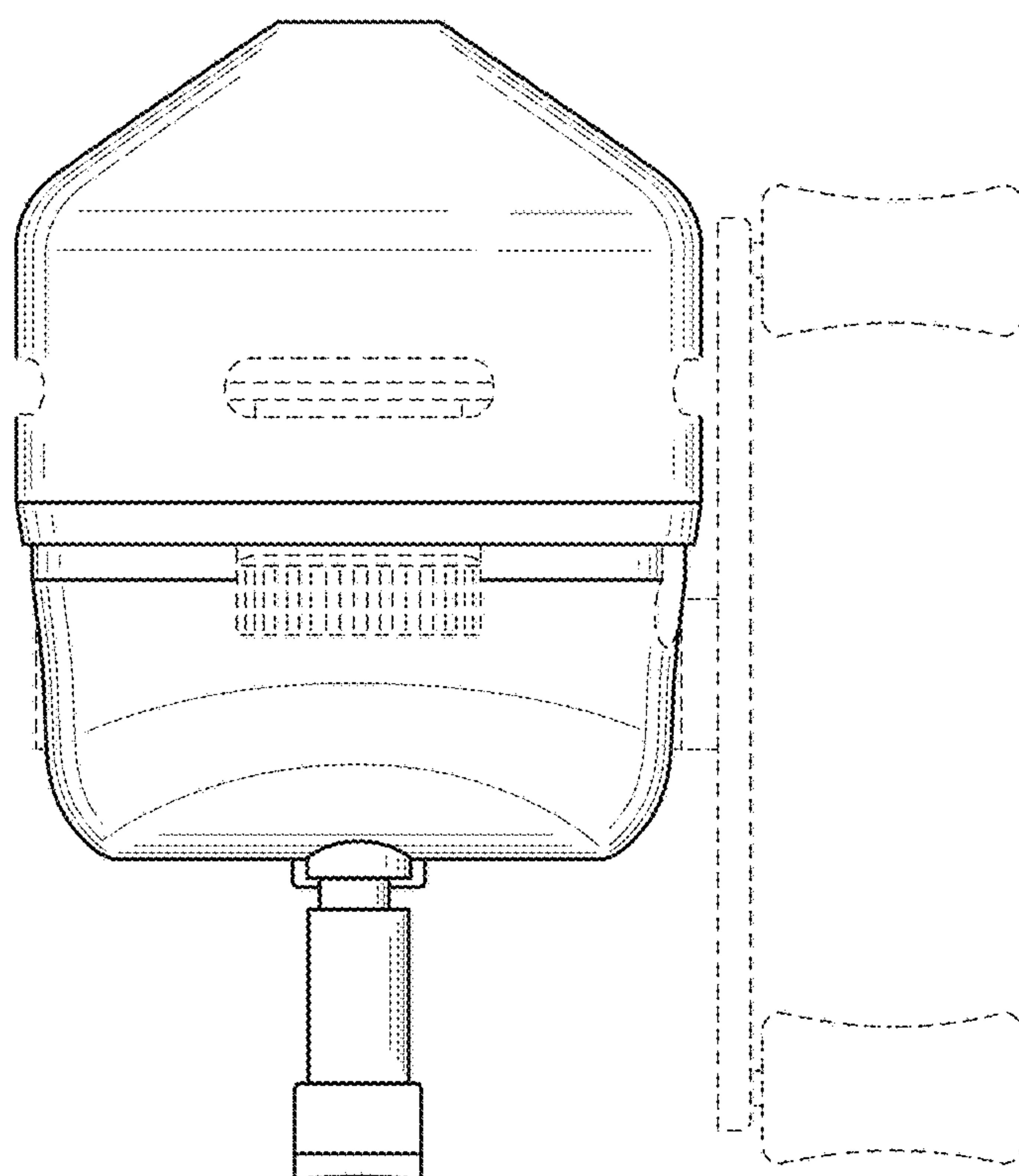
FIG. 1 is perspective view of the bowfishing reel in accordance with the invention;  
 FIG. 2 is a front view thereof;  
 FIG. 3 is a rear view thereof;  
 FIG. 4 is a side view thereof;  
 FIG. 5 is an opposite side view of FIG. 4;  
 FIG. 6 is a top view of the invention; and,  
 FIG. 7 is a bottom view of the invention.  
 The broken lines shown in FIGS. 1-7 depict environmental structure and are for illustrative purposes only and form no part of the claimed design.

**1 Claim, 3 Drawing Sheets**

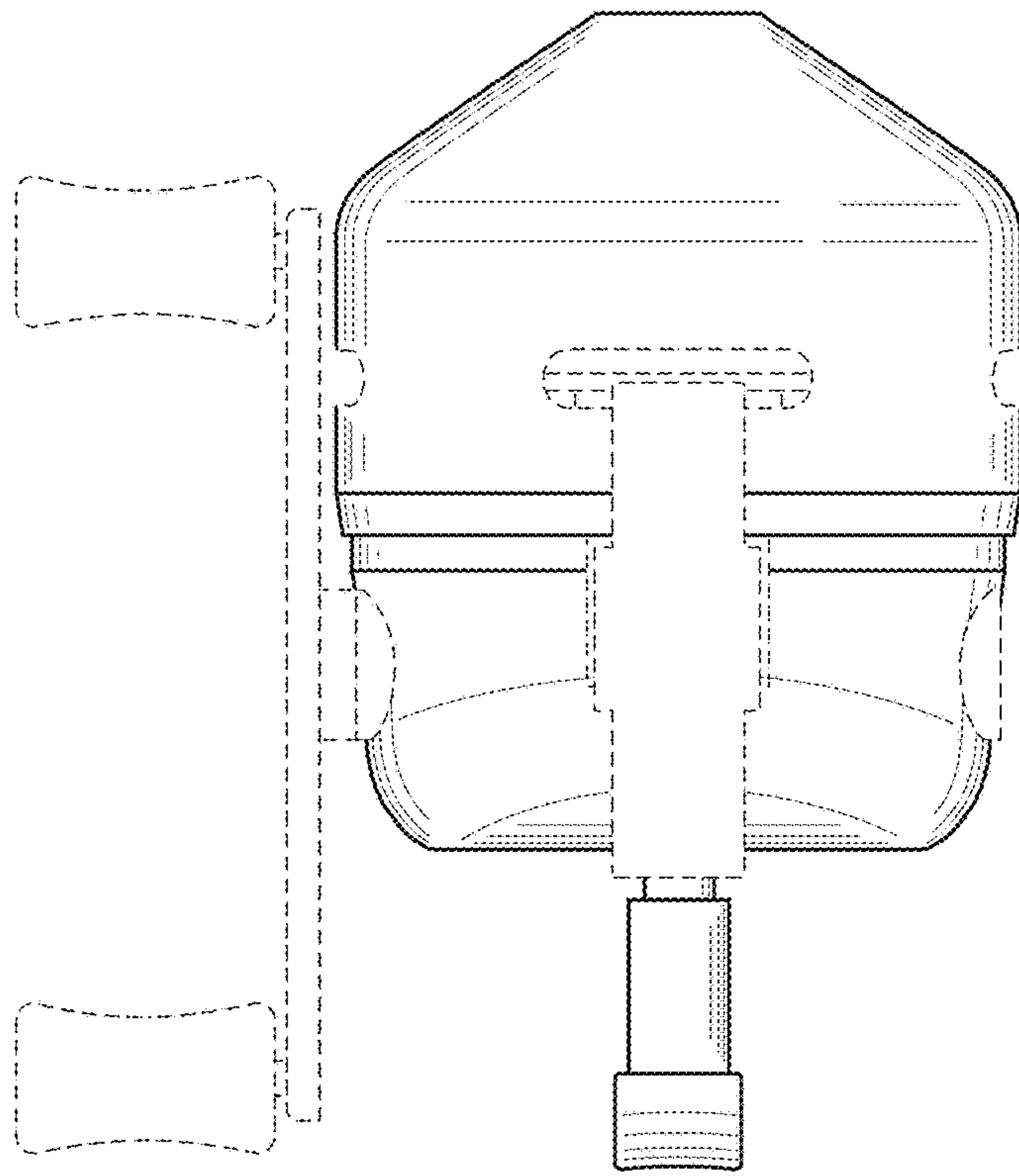




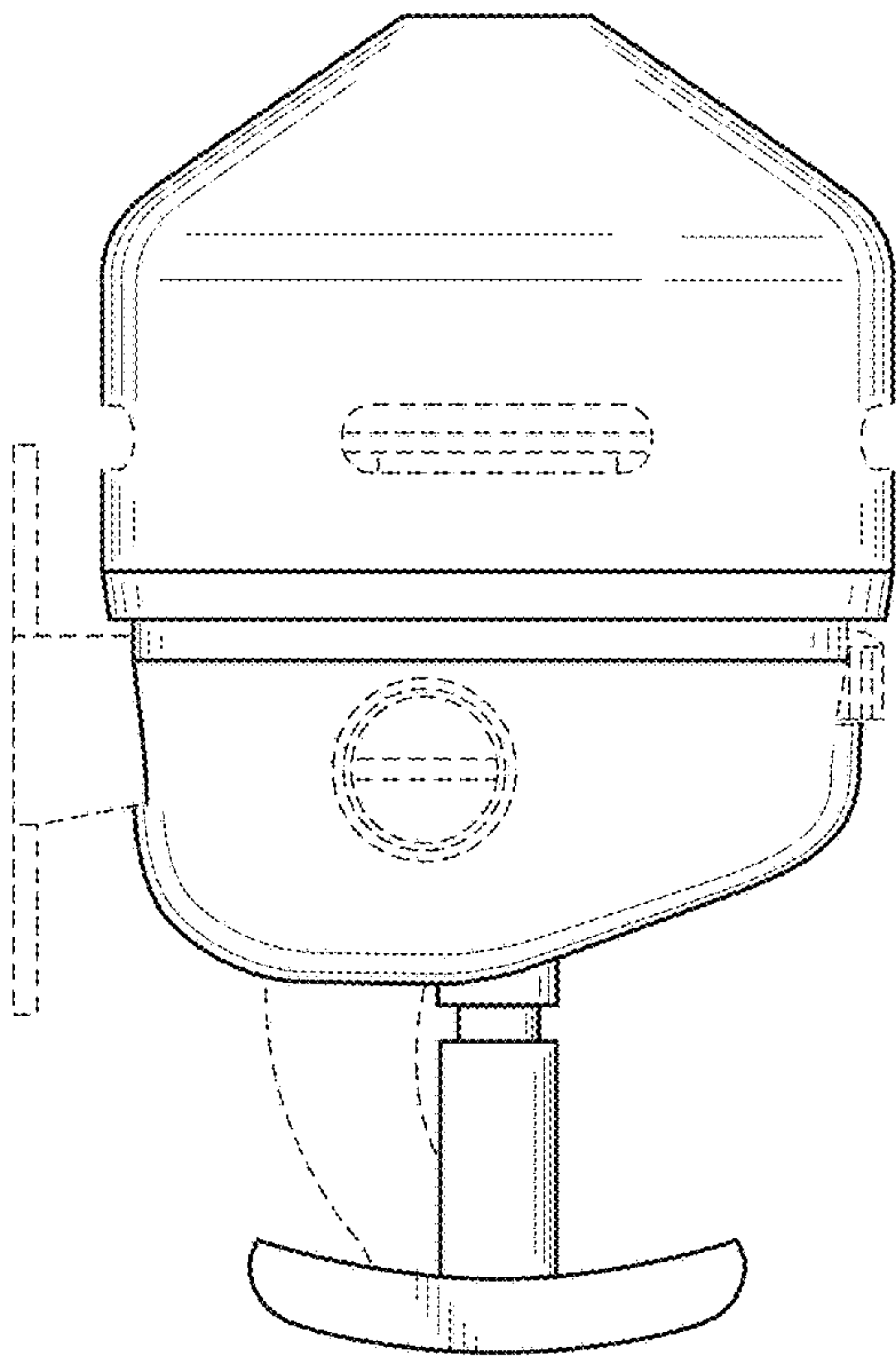
**FIG. 1**



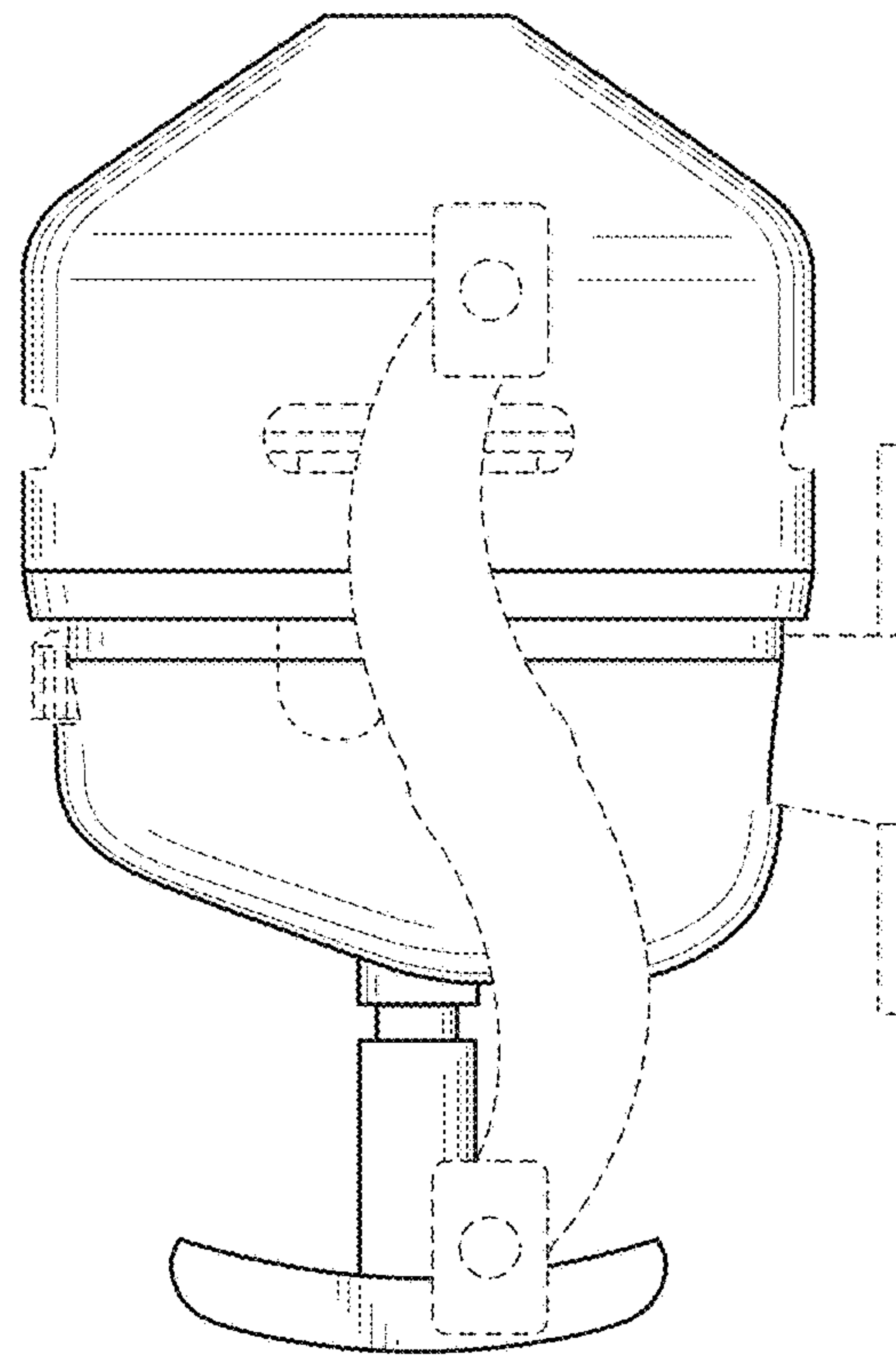
**FIG. 2**



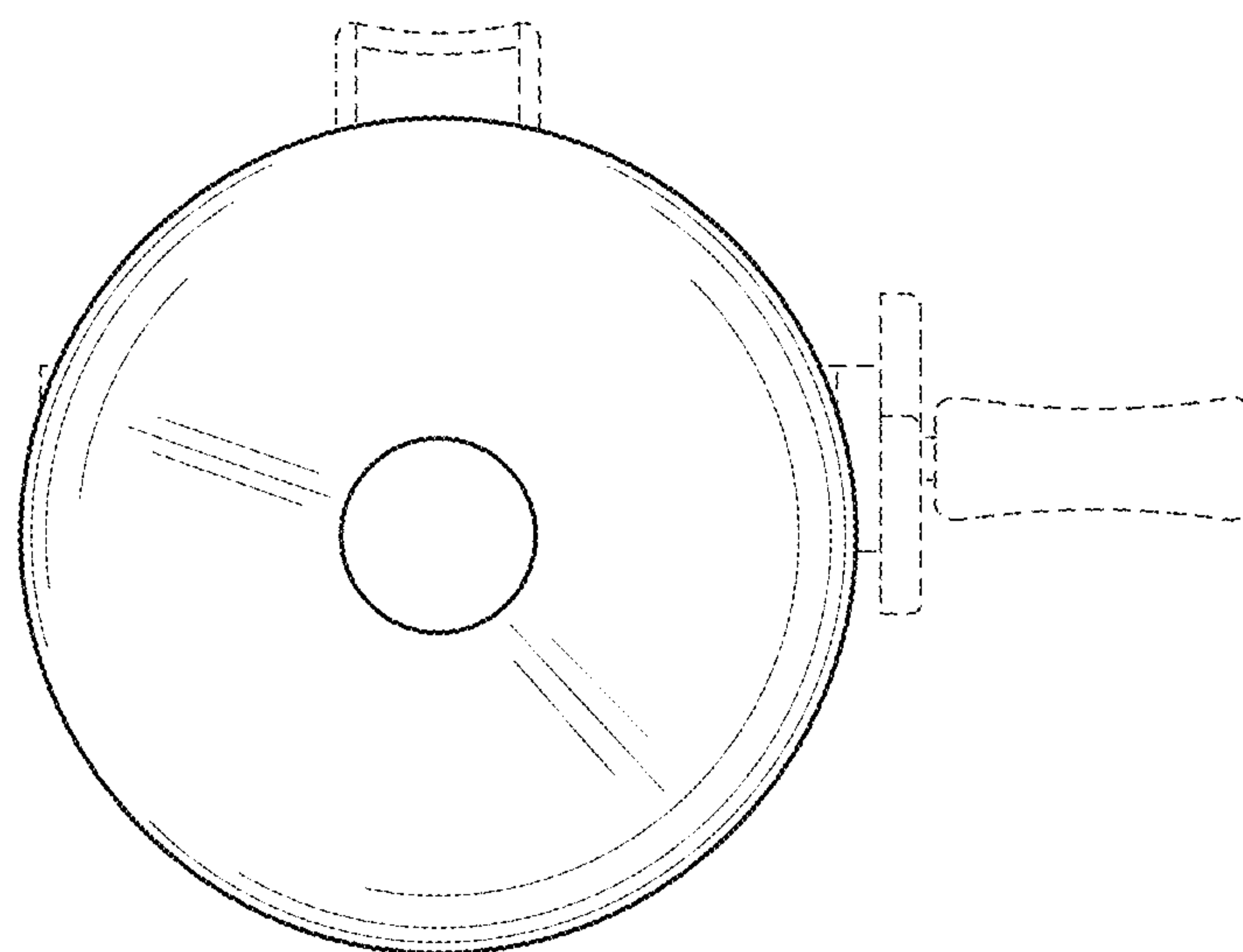
**FIG. 3**



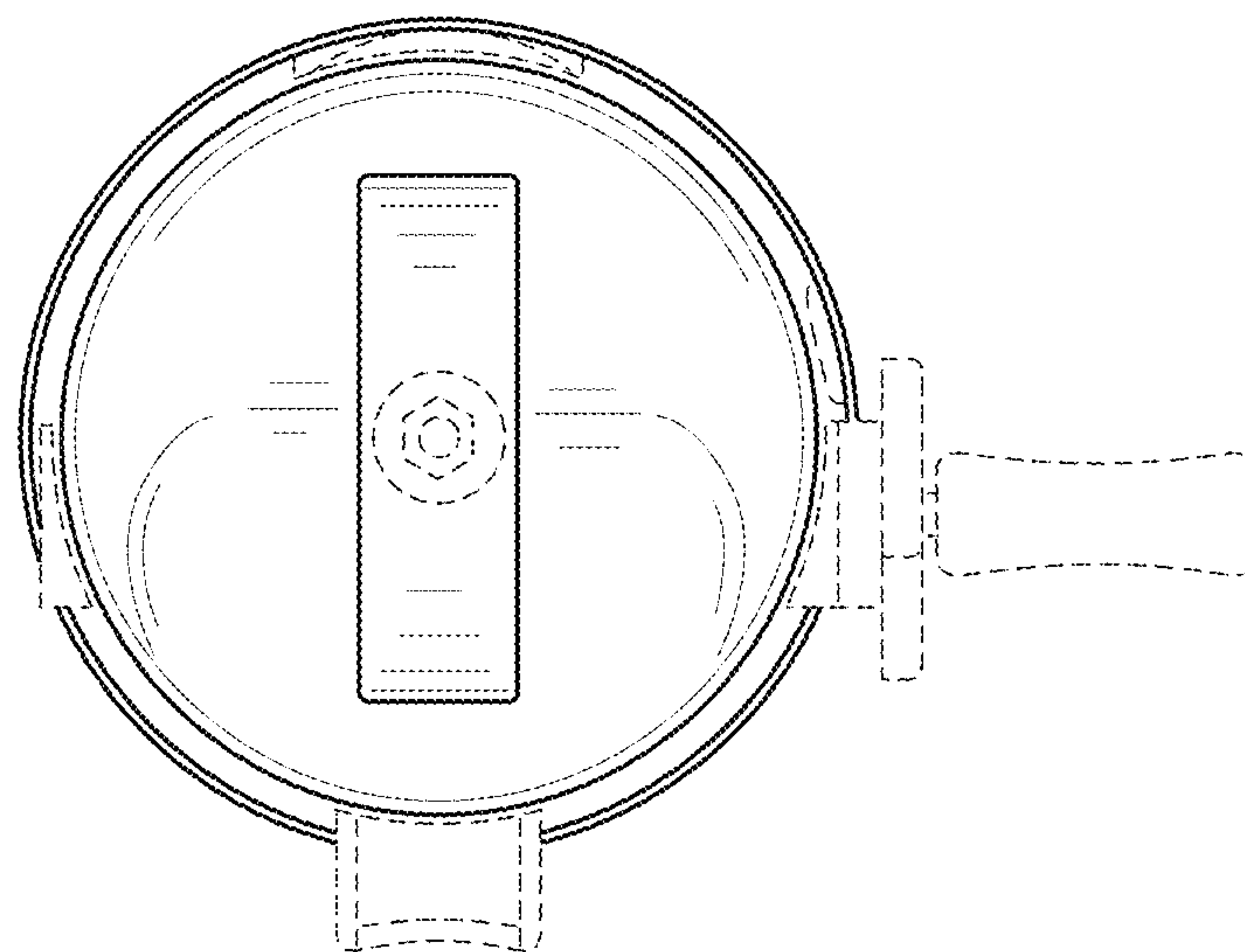
**FIG. 4**



**FIG. 5**



**FIG. 6**



**FIG. 7**