



US00D790656S

(12) **United States Design Patent**
Terry

(10) **Patent No.:** **US D790,656 S**
(45) **Date of Patent:** **** Jun. 27, 2017**

(54) **ELECTRONIC CATCH MONITORING
DEVICE**

D690,346 S 9/2013 Woolley
D725,228 S * 3/2015 McDougall D22/134
2003/0056424 A1* 3/2003 Mueller A01K 91/02
43/43.13

(71) Applicant: **Smart Catch Inc.**, Woodside, CA (US)

* cited by examiner

(72) Inventor: **Robert Mark Terry**, Woodside, CA
(US)

Primary Examiner — Catheri Oliver-Garcia

(73) Assignee: **Smart Catch Inc.**, Woodside, CA (US)

(74) *Attorney, Agent, or Firm* — **Intellent Patents LLC;**
Ahmed Alhafidh

(**) Term: **14 Years**

(57) **CLAIM**

The ornamental design for an electronic catch monitoring device, as shown and described.

(21) Appl. No.: **29/514,395**

DESCRIPTION

(22) Filed: **Jan. 12, 2015**

(51) **LOC (10) Cl.** **22-05**

(52) **U.S. Cl.**
USPC **D22/134**

(58) **Field of Classification Search**
USPC D22/134, 199; D16/200–205; 43/15, 19,
43/26.1, 26.2, 27.4, 43.13
CPC A01K 91/00; A01K 91/02
See application file for complete search history.

FIG. 1 is a front view of an electronic catch monitoring device, showing my new design.

FIG. 2 is a bottom view of the electronic catch monitoring device of FIG. 1.

FIG. 3 is a rear view of the electronic catch monitoring device of FIG. 1.

FIG. 4 is a perspective view of the electronic catch monitoring device of FIG. 1.

FIG. 5 is a right view of the electronic catch monitoring device of FIG. 1.

FIG. 6 is a left view of the electronic catch monitoring device of FIG. 1; and,

FIG. 7 is a top view of the electronic catch monitoring device of FIG. 1.

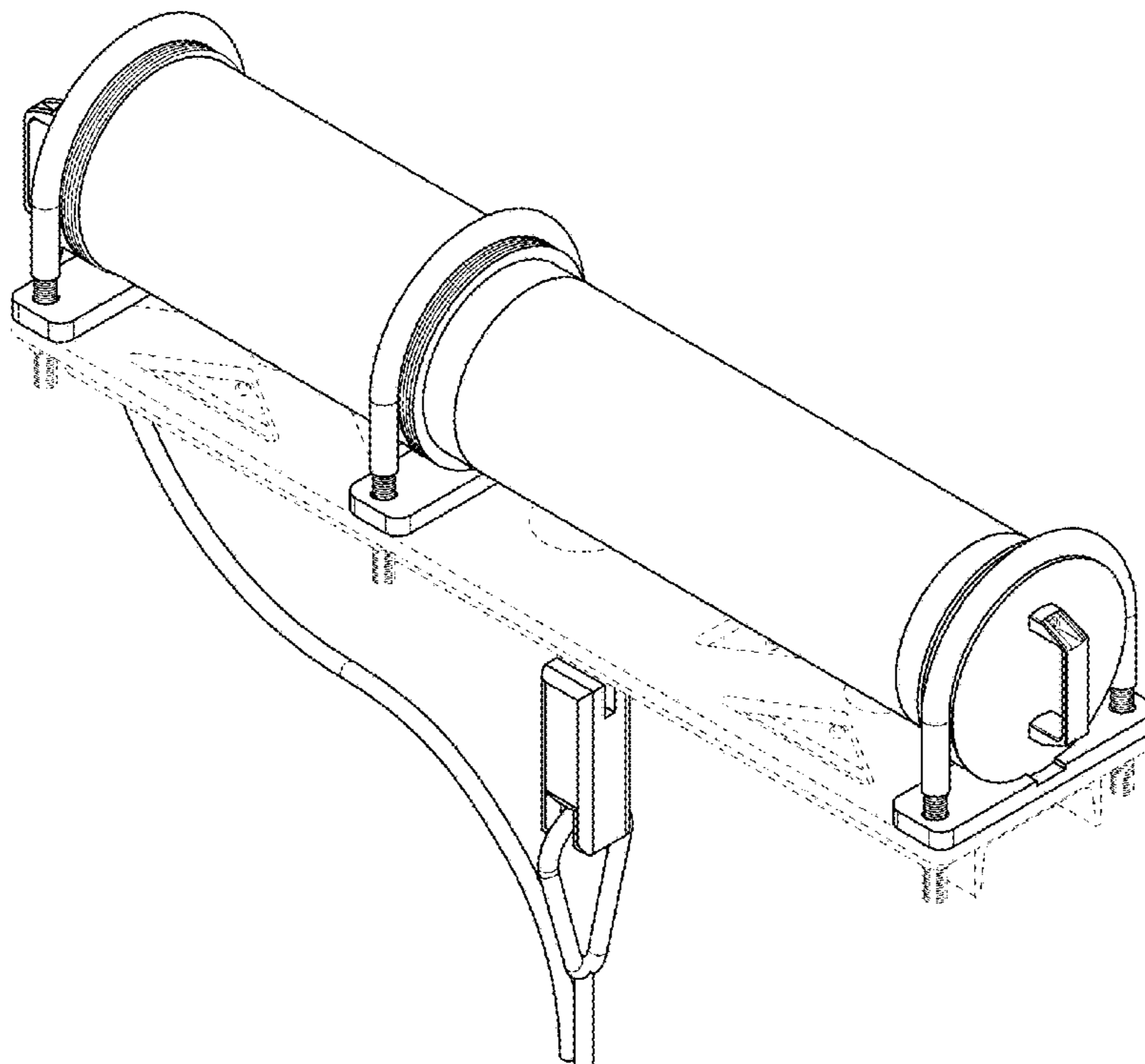
The tubing is shown cut away for convenience of illustration. The broken lines in the drawings illustrate a portion of the electronic catch monitoring device which forms no part of the claimed design.

(56) **References Cited**

U.S. PATENT DOCUMENTS

D418,152 S 12/1999 McBride
6,760,995 B2* 7/2004 Mueller A01K 91/02
43/26.2
D504,490 S * 4/2005 Bedros D22/134
D601,726 S 10/2009 Mollaert
D640,721 S 6/2011 Satine

1 Claim, 6 Drawing Sheets



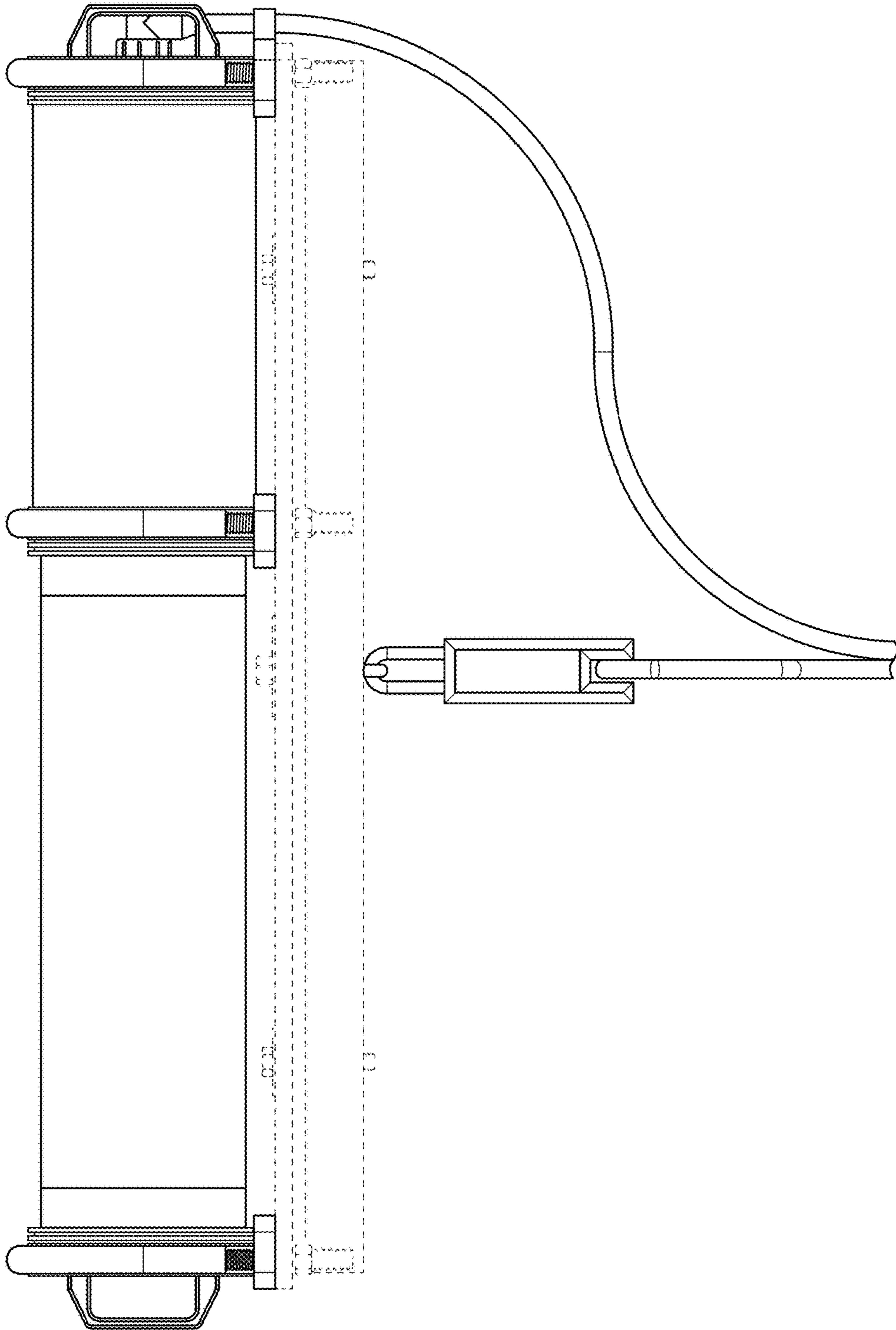


FIG. 1

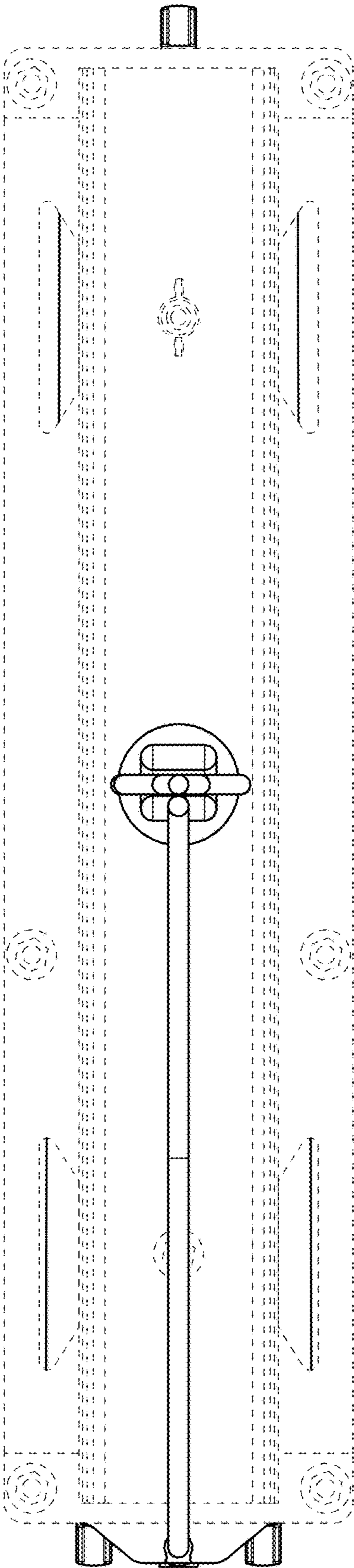


FIG. 2

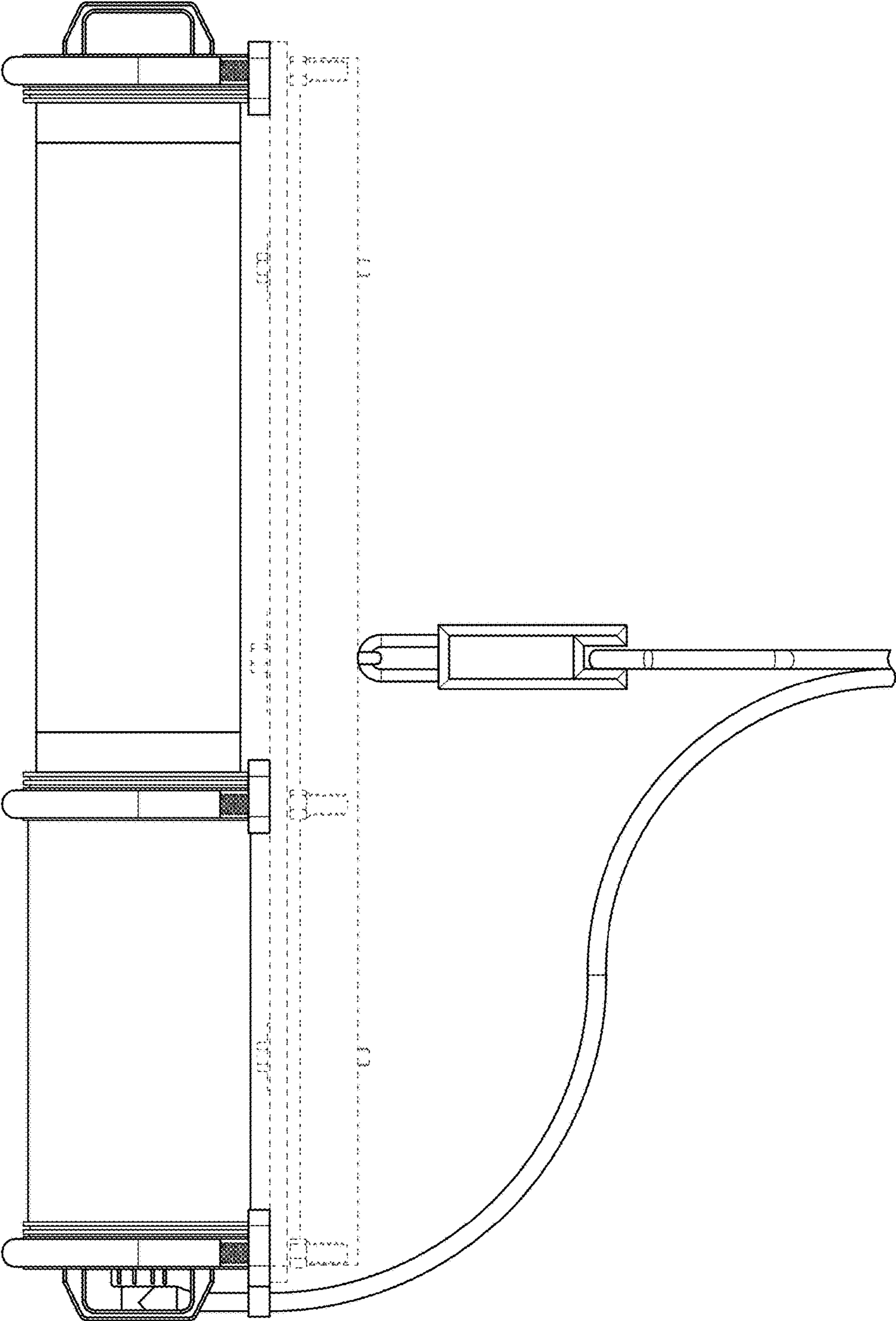


FIG. 3

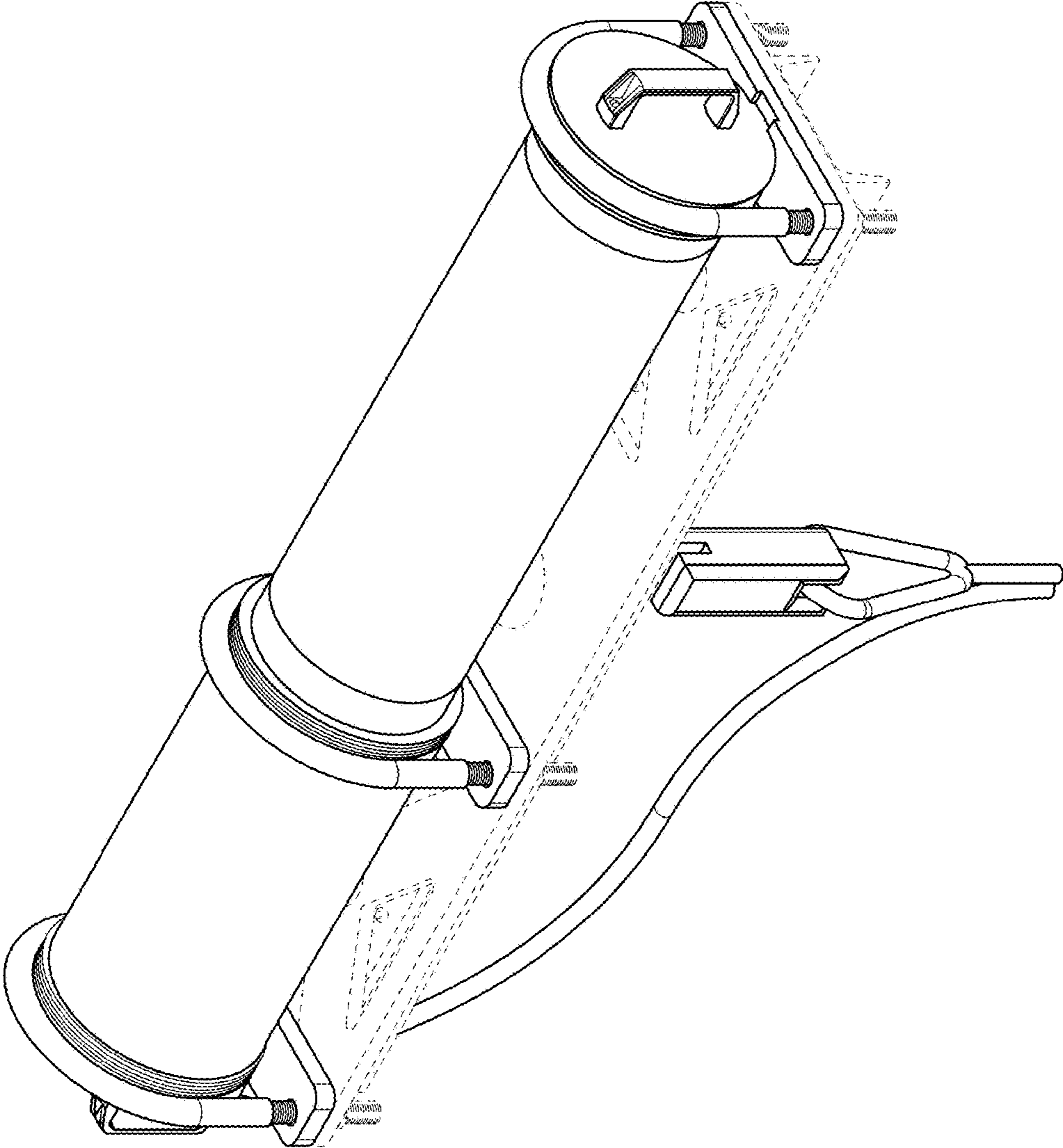


FIG. 4

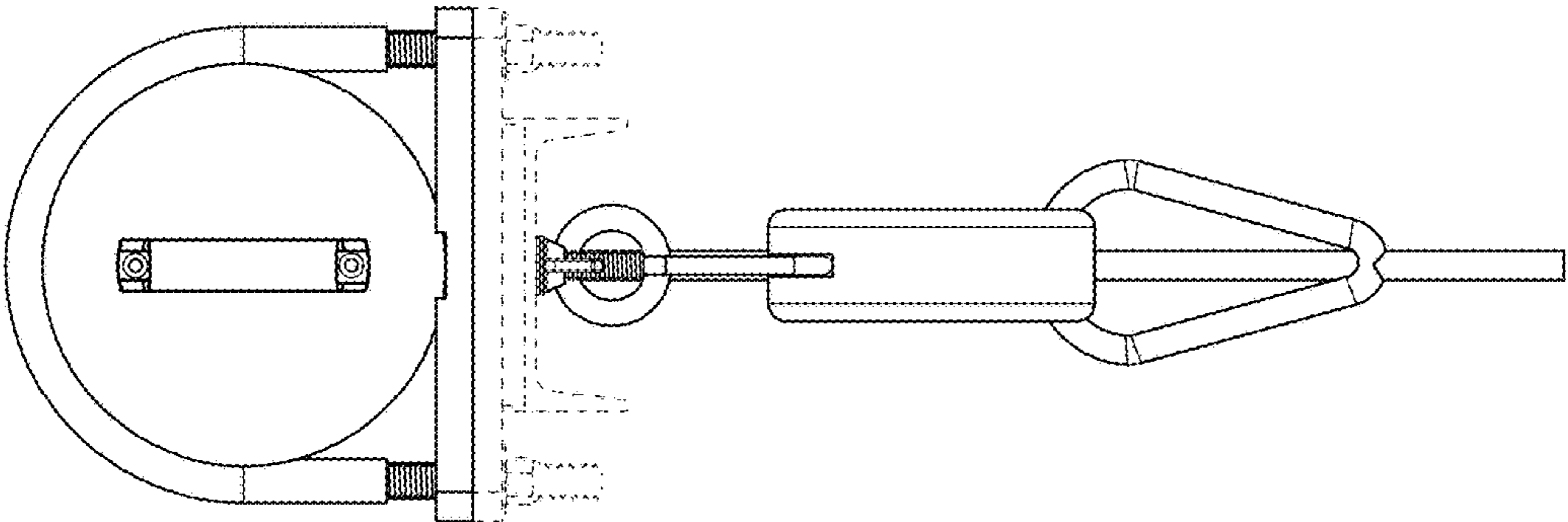


FIG. 6

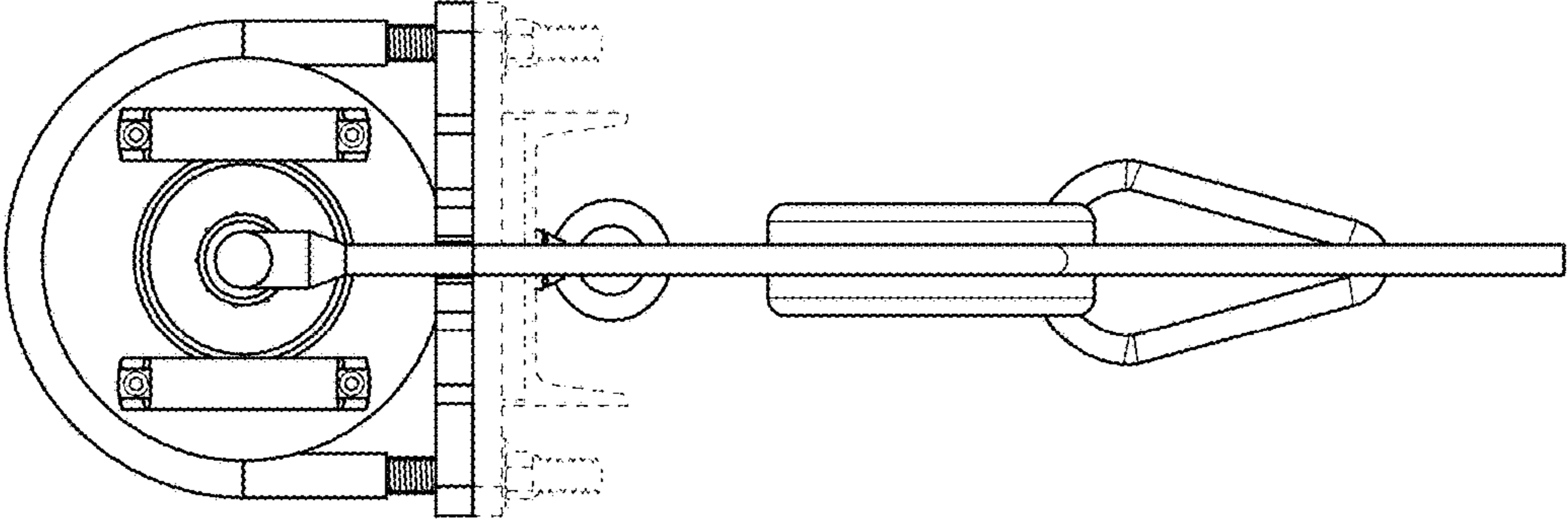


FIG. 5

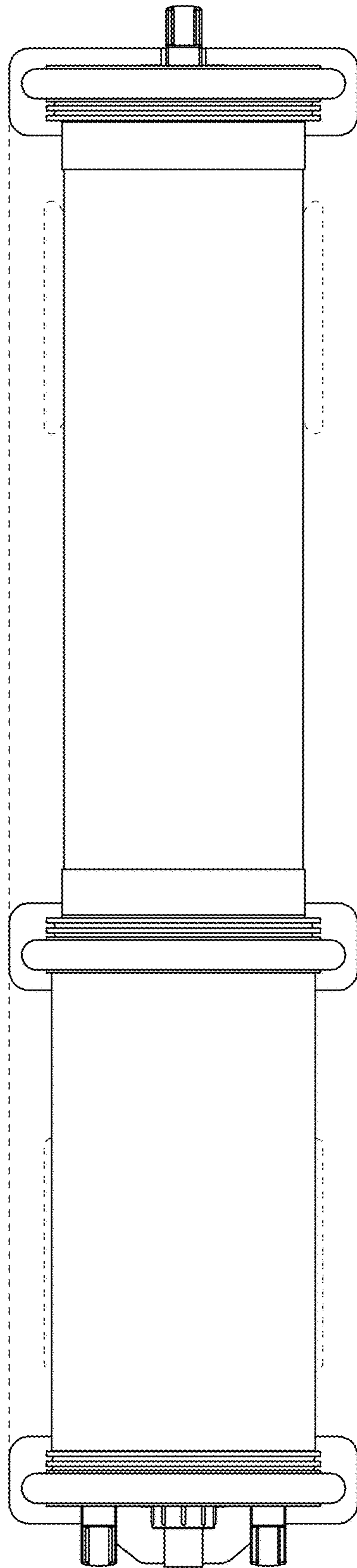


FIG. 7