



US00D790652S

(12) **United States Design Patent**
Gaddini

(10) **Patent No.:** **US D790,652 S**
(45) **Date of Patent:** **** Jun. 27, 2017**

(54) **FIREARM BIPOD**

FOREIGN PATENT DOCUMENTS

(71) Applicant: **Grip Pod Systems International, LLC**, Naples, FL (US)

FR 2623595 5/1989

(72) Inventor: **Joseph D. Gaddini**, Naples, FL (US)

OTHER PUBLICATIONS

(73) Assignee: **Grip Pod Systems International, LLC**, Naples, FL (US)

GPS, LLC.—Military Model Grip Pod Picatinny Mount, Brownells.com, [online], [site visited Jan. 9, 2017]. <URL: <http://www.brownells.com/shooting-accessories/bipods-monopods-amp-accessories/bipods/military-model-grip-pod-picatinny-mount-prod24481.aspx>>.*

(**) Term: **15 Years**

(Continued)

(21) Appl. No.: **29/557,314**

Primary Examiner — T. Chase Nelson

(22) Filed: **Mar. 8, 2016**

Assistant Examiner — Jonathan J Han

(51) **LOC (10) Cl.** **22-01**

(74) *Attorney, Agent, or Firm* — Brian S. Steinberger; Law Offices of Brian S. Steinberger, PA

(52) **U.S. Cl.**

(57) **CLAIM**

USPC **D22/108**

The ornamental design for a firearm bipod, as shown and described.

(58) **Field of Classification Search**

DESCRIPTION

USPC D22/100, 108, 199; 362/109–114; 42/11, 72, 85, 90, 94, 106, 113, 114, 116, 42/117, 119, 124–128, 131, 145, 146, 42/75.02, 71.01; 124/201, 205.1
CPC F41C 23/10; F41C 23/14; F41C 23/16; F41C 23/18

FIG. 1 shows an upper front right perspective view of the novel firearm bipod with bipod in retracted position with screw clamp.

See application file for complete search history.

FIG. 2 is an upper rear left perspective view of the firearm bipod of FIG. 1.

(56) **References Cited**

U.S. PATENT DOCUMENTS

271,251 A	1/1883	Leerbeach et al.
575,529 A	1/1897	Stephens
721,425 A	2/1903	Clyde
1,295,688 A	2/1919	Butler
1,355,660 A	10/1920	Farquhar et al.
1,382,409 A	6/1921	Butler
1,580,406 A	4/1926	Browning
2,386,802 A	10/1945	Johnson, Jr.
2,420,267 A	5/1947	Sefried
2,436,349 A	2/1948	Adams
2,489,283 A	11/1949	Garand
2,763,456 A	9/1956	Breer
3,235,997 A	2/1966	Stoner

FIG. 3 is a lower rear right perspective view of the firearm bipod of FIG. 1.

FIG. 4 is a lower front left view of the firearm bipod of FIG. 1.

FIG. 5 is a right side view of the firearm bipod of FIG. 1.

FIG. 6 is a left side view of the firearm bipod of FIG. 1.

FIG. 7 is a front view of the firearm bipod of FIG. 1.

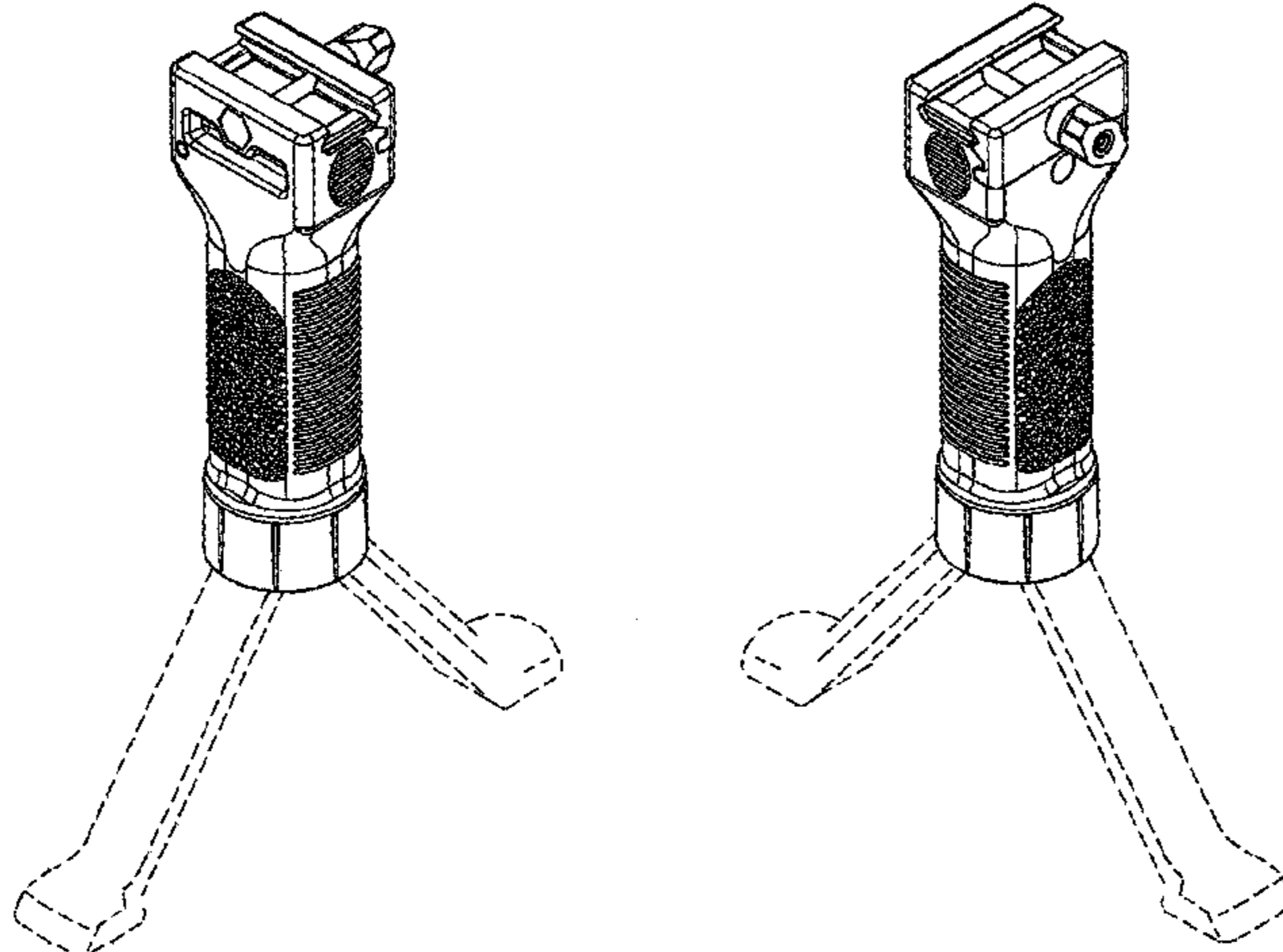
FIG. 8 is a rear view of the firearm bipod of FIG. 1.

FIG. 9 is a top view of the firearm bipod of FIG. 1; and, FIG. 10 is a bottom view of the firearm bipod of FIG. 1.

The broken lines in FIGS. 1 to 10 are for purposes of illustrating portions of the firearm bipod that form no part of the claimed design.

(Continued)

1 Claim, 5 Drawing Sheets



(56)

References Cited

U.S. PATENT DOCUMENTS

D222,118 S * 9/1971 Nakatani D16/244
 3,632,073 A 1/1972 Nakatani
 4,121,799 A 10/1978 Michio
 4,545,660 A 10/1985 Rudolf
 4,570,887 A 2/1986 Banister
 4,640,481 A 2/1987 Kohno
 4,807,837 A 2/1989 Gawlik et al.
 5,081,478 A 1/1992 Hayashida et al.
 5,345,706 A 9/1994 Brown
 5,384,609 A 1/1995 Ogawa et al.
 5,438,786 A 8/1995 Hilderbrand
 6,289,622 B1 9/2001 Desch, Jr. et al.
 6,487,807 B1 12/2002 Kopman et al.
 6,773,172 B1 8/2004 Johnson et al.
 7,111,424 B1 * 9/2006 Moody F41A 23/08
 248/171
 7,121,034 B2 * 10/2006 Keng F41C 23/16
 42/71.01
 D566,219 S 4/2008 Moody et al.
 D566,220 S 4/2008 Moody et al.
 7,421,815 B1 * 9/2008 Moody F41C 23/16
 248/171
 7,559,167 B1 * 7/2009 Moody F41G 11/003
 42/71.01
 7,568,304 B1 * 8/2009 Moody F41A 23/08
 42/71.01
 7,584,568 B1 * 9/2009 Brownlee F41C 23/16
 42/94
 D608,408 S 1/2010 Moody et al.
 D609,768 S 2/2010 Moody et al.
 7,665,239 B1 * 2/2010 Moody F41A 23/08
 42/72
 7,665,241 B2 * 2/2010 Oz F41A 23/08
 42/94
 D617,863 S 6/2010 Moody et al.
 7,743,545 B1 * 6/2010 Moody F41A 23/10
 248/161
 7,823,855 B2 * 11/2010 Faifer F16M 11/041
 248/166
 7,909,301 B2 * 3/2011 Faifer F16M 11/041
 248/166
 7,987,625 B1 * 8/2011 Moody F41A 23/10
 248/161
 D644,707 S * 9/2011 Faifer D22/108
 D660,934 S * 5/2012 Faifer D22/108
 8,225,543 B2 * 7/2012 Moody F41A 23/08
 248/171
 D706,894 S 6/2014 Clifton, Jr.
 8,806,796 B1 8/2014 Clifton
 8,869,442 B2 10/2014 Moody et al.
 8,875,434 B2 * 11/2014 Michal F41C 23/16
 42/90
 D727,455 S * 4/2015 Ding F16M 11/00
 D22/108
 D749,186 S * 2/2016 Cheng D22/108
 9,423,208 B1 * 8/2016 Mahmalji F41C 23/16
 2004/0060222 A1 4/2004 Oz
 2005/0241206 A1 11/2005 Teetzel et al.
 2006/0277809 A1 * 12/2006 Moody F41A 23/08
 42/72

2008/0276518 A1 * 11/2008 Moody F41A 23/08
 42/72
 2009/0038199 A1 * 2/2009 Oz F41A 23/10
 42/94
 2009/0045304 A1 * 2/2009 Faifer F16M 11/041
 248/188.5
 2009/0193702 A1 * 8/2009 Lin F41C 23/16
 42/72
 2010/0005696 A1 * 1/2010 Moody F41C 23/16
 42/94
 2010/0242332 A1 * 9/2010 Teetzel F41A 23/08
 42/72
 2010/0307043 A1 * 12/2010 Moody F41A 23/08
 42/72
 2011/0179688 A1 * 7/2011 Ash, Jr. F41C 23/16
 42/72
 2012/0272557 A1 * 11/2012 Yan F41C 23/12
 42/69.01
 2016/0245616 A1 * 8/2016 Derausse F41C 23/14

OTHER PUBLICATIONS

Grip-Pod LE Polymer (Tan) GPSLETAN, PrimaryArms.com, [online], [site visited Jan. 9, 2017]. <URL: <http://www.primaryarms.com/grip-pod-le-polymer-tan-gpsletan-gpsletan>>.*
 Tactical Vertical Foregrip with Integrated Adjustable Bipod—Gen 2—T—PODG2QR, TheMakoGroup.com, [online], [site visited Jan. 9, 2017]. <URL: <http://www.themakogroup.com/tactical-vertical-foregrip-with-integrated-adjustable-bipod-gen-2-t-podg2qr.html>>.*
 New Products Week in Review Aug. 11, 2016, Youtube.com, Brownells, Inc., Published on Aug. 11, 2016, [online], [site visited Jan. 9, 2017]. <URL: <https://www.youtube.com/watch?v=NsaSN5xYDsw>>.*
 Grip Pod Announces Version 2 Coming Soon, TheFirearmBlog.com, Posted Jan. 20, 2016, [online], [site visited Jan. 9, 2017]. <URL: <http://www.thefirearmblog.com/blog/2016/01/20/grip-pod-announces-mod-2-coming-soon>>.*
 Grip Pod AR15 V2 Forward Grip/Bipod Steel Cam Lever Blk, CheaperThanDirt.com, [online], [site visited Jan. 9, 2017]. <URL: <https://www.cheaperthandirt.com/product/grip-pod-ar15-v2-forward-grip-bipod-steel-cam-lever-blk-769498621165.do>>.*
 GPS, LLC.—Cam Lever V2 Grip Pod, Brownells.com, [online], [site visited Jan. 9, 2017]. <URL: http://shop.brownells.com/shooting-accessories/bipods-monopods-amp-accessories/bipods/cam-lever-v2-grip-pod-black-sku100019878-87196-182514.aspx?cm_mmc=PPC-_-Itwine-_-Google-_-100-019-878&gclid=CNi_k-bmtdECFcWLswod4nYOCg>.*
 Grip Pod Systems Military Vertical Grip + Bi-Pod (GPS-V2), MilitaryWarfighter.com, [online], [site visited Jan. 9, 2017]. <URL: http://www.militarywarfighter.com/GripPod_GPS_V2_p/grip-pod-gps-v2.htm>.*
 Archer, Denis H.R., Jane's Infantry Weapons, 1976, 4 pages.
 Brugger & Thomet Unipod, Forward Grip with Retractable Bipod, [online], DSA, Inc. Systems Second to None, DSA Order Center, 1 page, retrieved on Oct. 18, 2006, retrieved from <http://www.dsarms.com/item-detail.fcm?ID=BT21830A&storeid=1&image=bt21830A.gif>.

* cited by examiner

Fig. 2

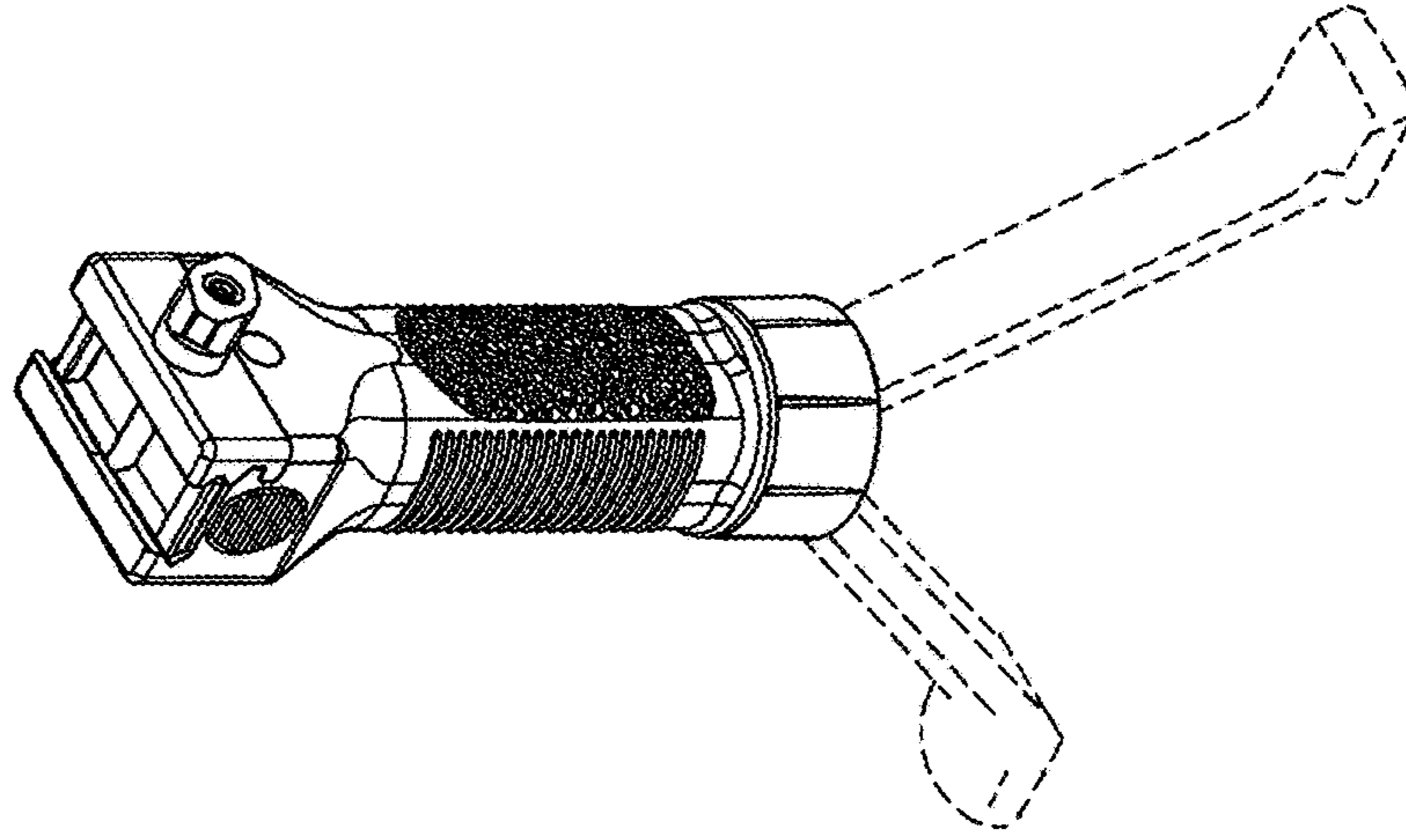


Fig. 1

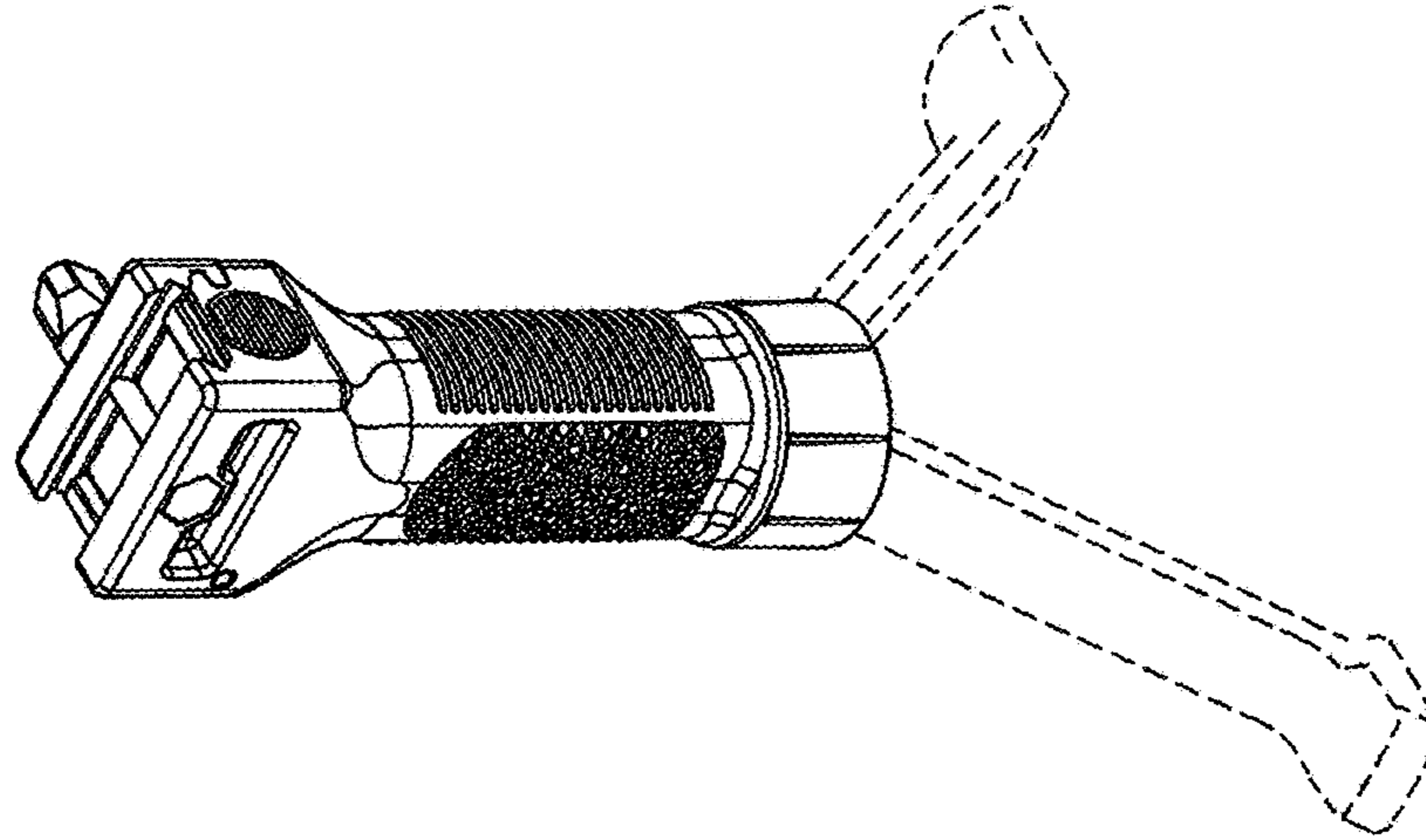


Fig. 4

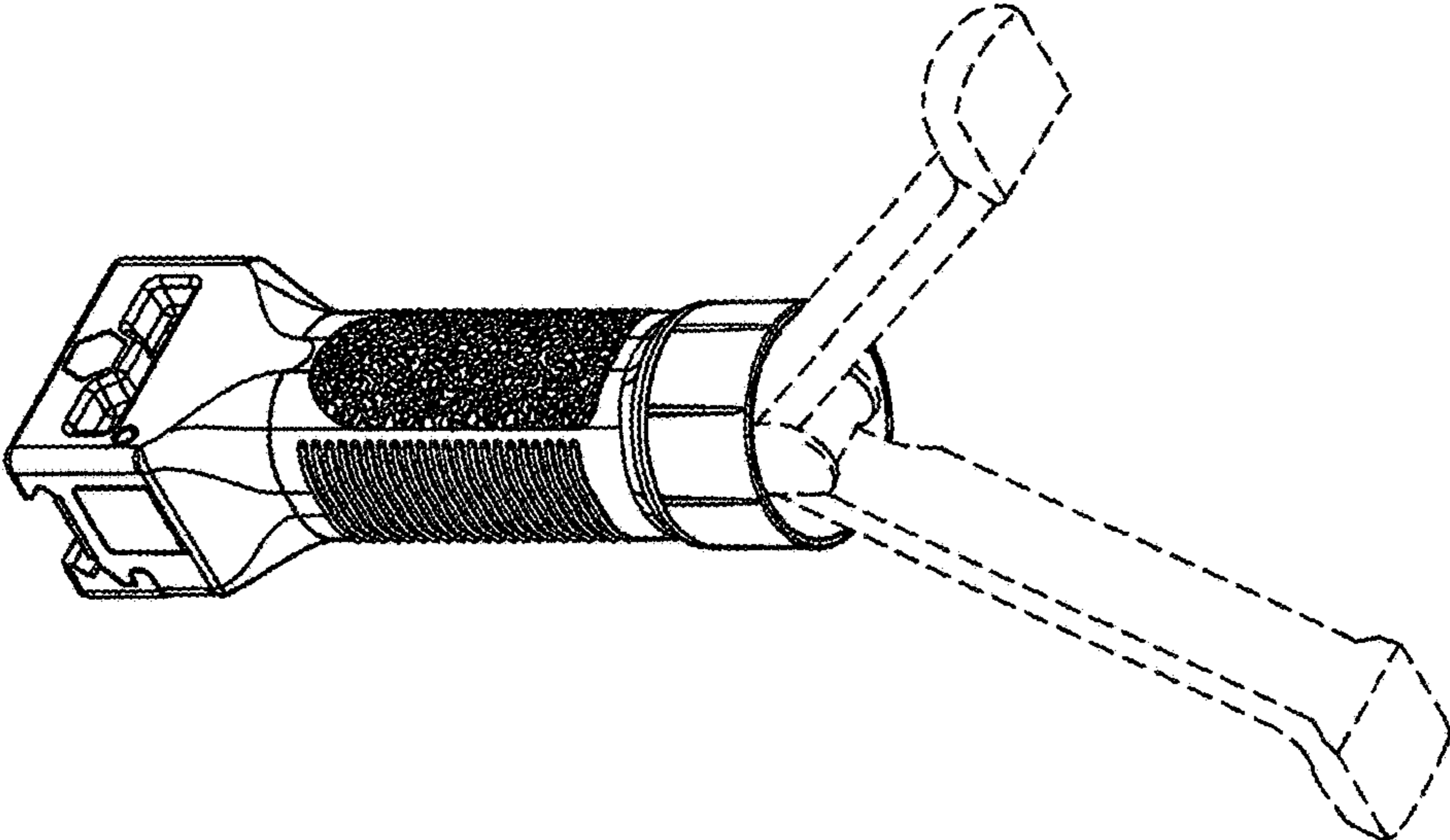


Fig. 3

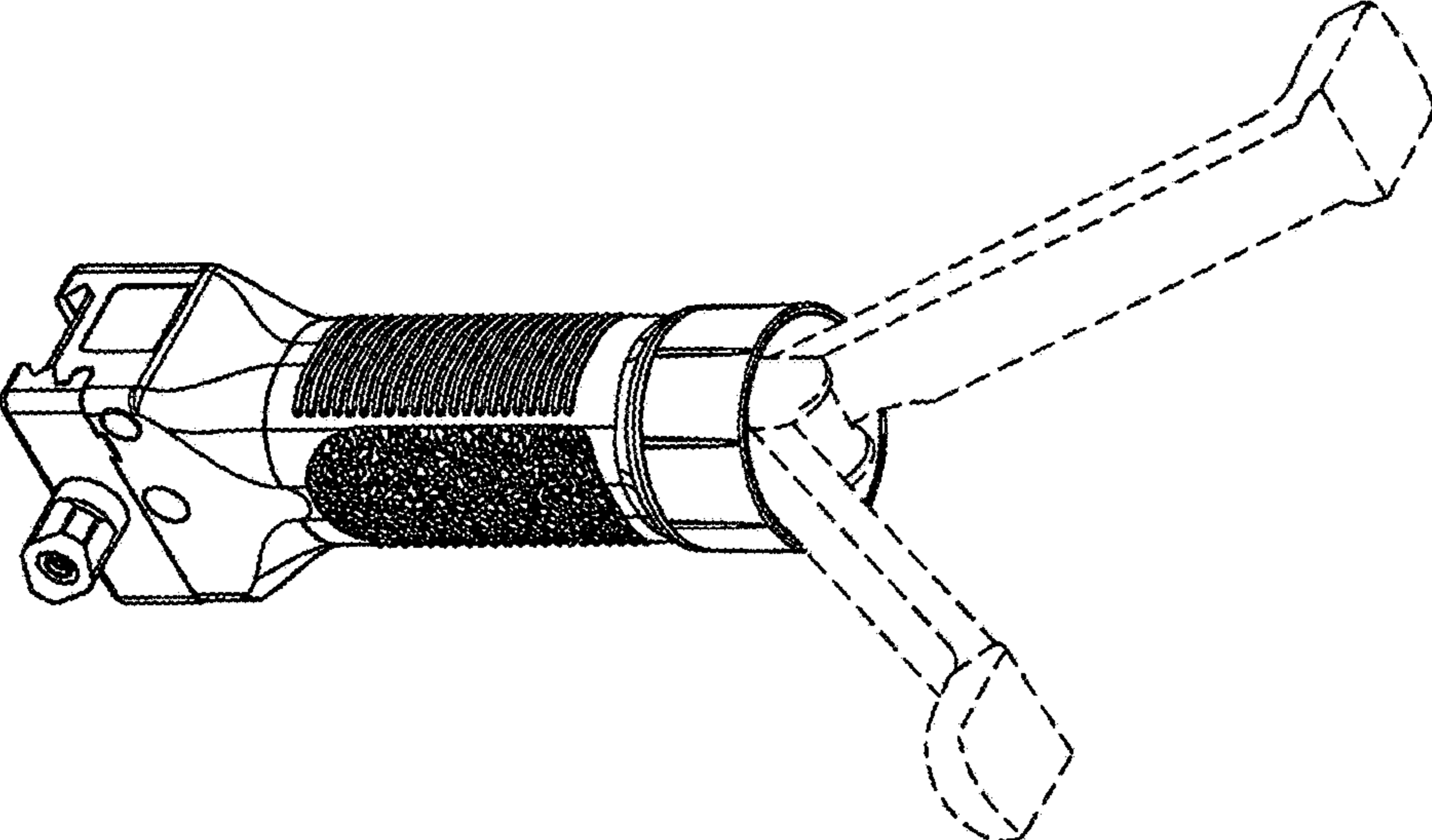


Fig. 6

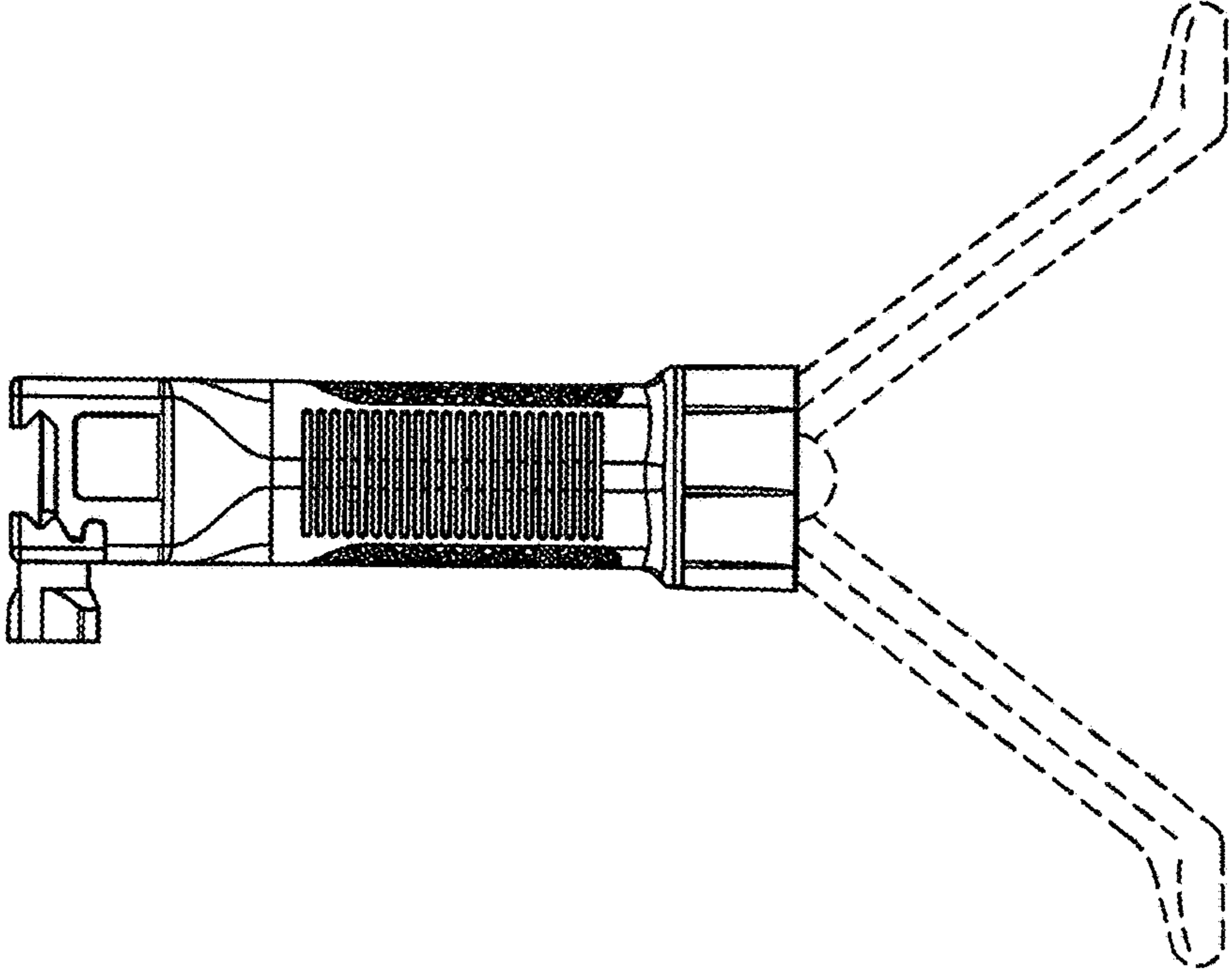


Fig. 5

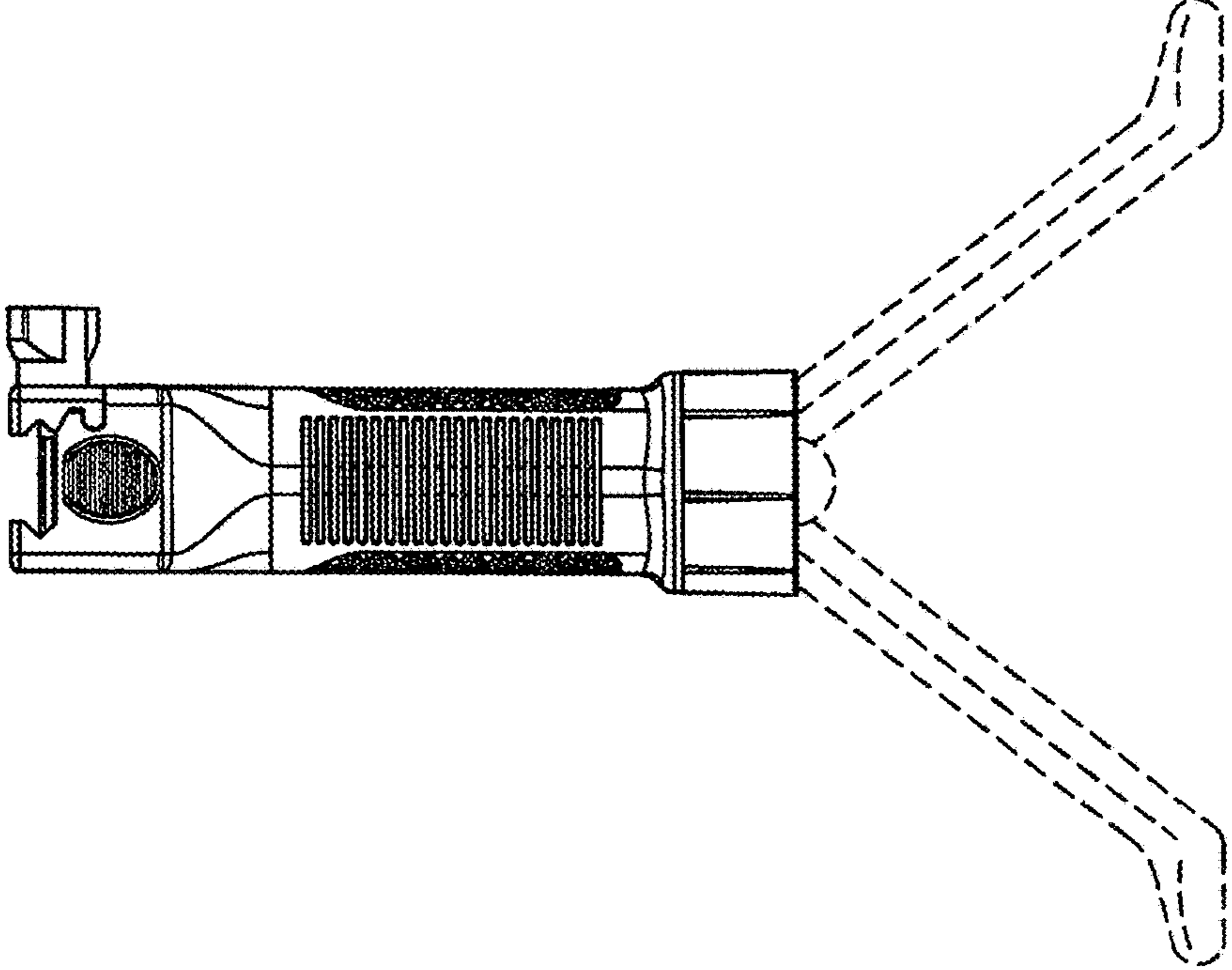


Fig. 8

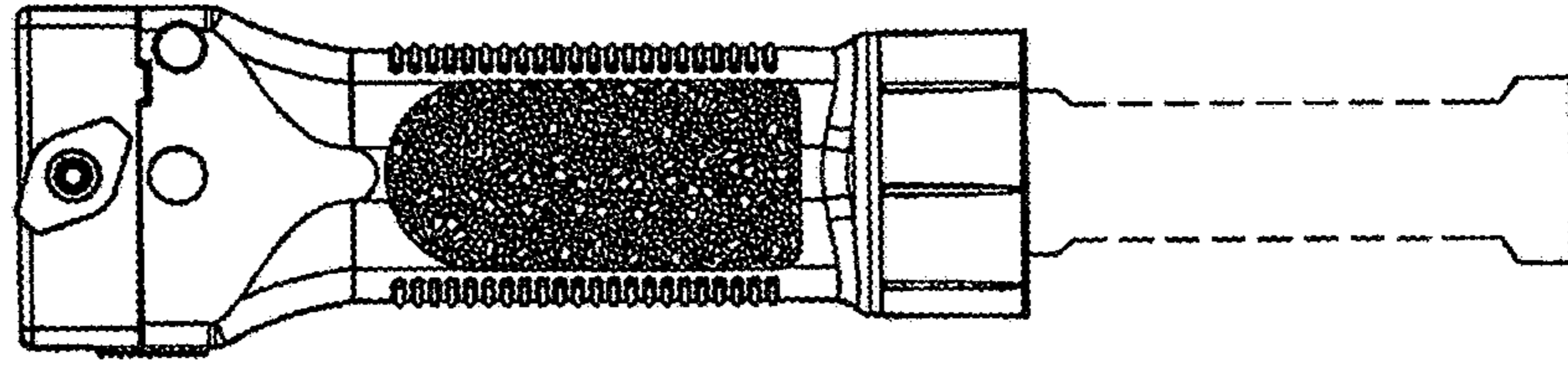


Fig. 7

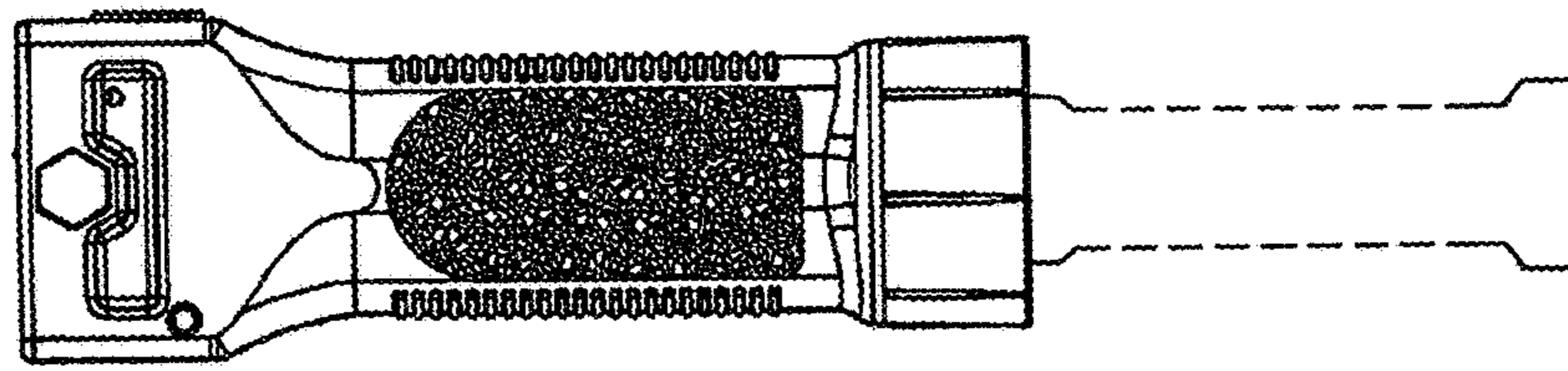


Fig. 10

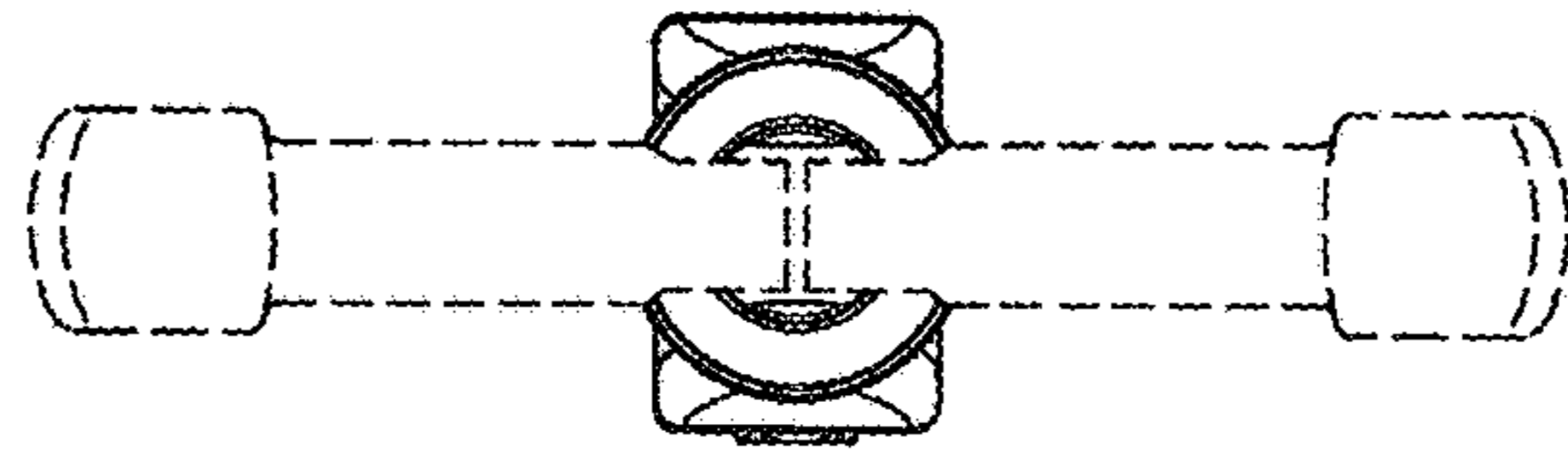


Fig. 9

