



US00D790651S

(12) **United States Design Patent** (10) **Patent No.:** **US D790,651 S**
Saadon (45) **Date of Patent:** **** *Jun. 27, 2017**

- (54) **ANGLED GRIP**
- (71) Applicant: **FXD, LLC**, Austin, TX (US)
- (72) Inventor: **Marschell B Saadon**, Round Rock, TX (US)
- (73) Assignee: **FXD, LLC**, Austin, TX (US)
- (*) Notice: This patent is subject to a terminal disclaimer.
- (**) Term: **15 Years**
- (21) Appl. No.: **29/556,390**
- (22) Filed: **Feb. 29, 2016**

Related U.S. Application Data

- (63) Continuation-in-part of application No. 29/549,844, filed on Dec. 28, 2015.
- (51) **LOC (10) Cl.** **22-01**
- (52) **U.S. Cl.**
USPC **D22/108**
- (58) **Field of Classification Search**
USPC D22/100, 108, 199; 362/109-114;
42/90, 94, 114, 117, 124-127, 131, 146
CPC F41C 23/10; F41C 23/14; F41C 23/16;
F41C 23/18
See application file for complete search history.

(56) **References Cited**

U.S. PATENT DOCUMENTS

2,056,975	A	10/1936	Michal, Jr.
2,899,767	A	8/1959	Bourdreau
3,128,571	A	4/1964	Herrett
4,475,437	A	10/1984	Sullivan
5,048,215	A	9/1991	Davis
6,782,781	B2	8/2004	Rack
7,111,424	B1	9/2006	Moody
7,140,138	B1	11/2006	Laney
7,454,858	B2	11/2008	Griffin

D585,517	S	1/2009	Faifer
7,568,304	B1	8/2009	Moody
7,676,975	B2	3/2010	Phillips et al.
D617,863	S	6/2010	Moody
D633,163	S	2/2011	Fitzpatrick

(Continued)

FOREIGN PATENT DOCUMENTS

CN	2321482	Y	6/1996
WO	1985005442	A1	12/1985
WO	2012021216	A2	2/2012

OTHER PUBLICATIONS

FXD's Revolutionary Gun Grip | forceexdesign.com, Youtube.com, Published on Jul. 12, 2016, [online], [site visited Feb. 3, 2017]. <URL: <https://www.youtube.com/watch?v=S-0pL0izelA>>.*

(Continued)

Primary Examiner — T. Chase Nelson
Assistant Examiner — Jonathan J Han

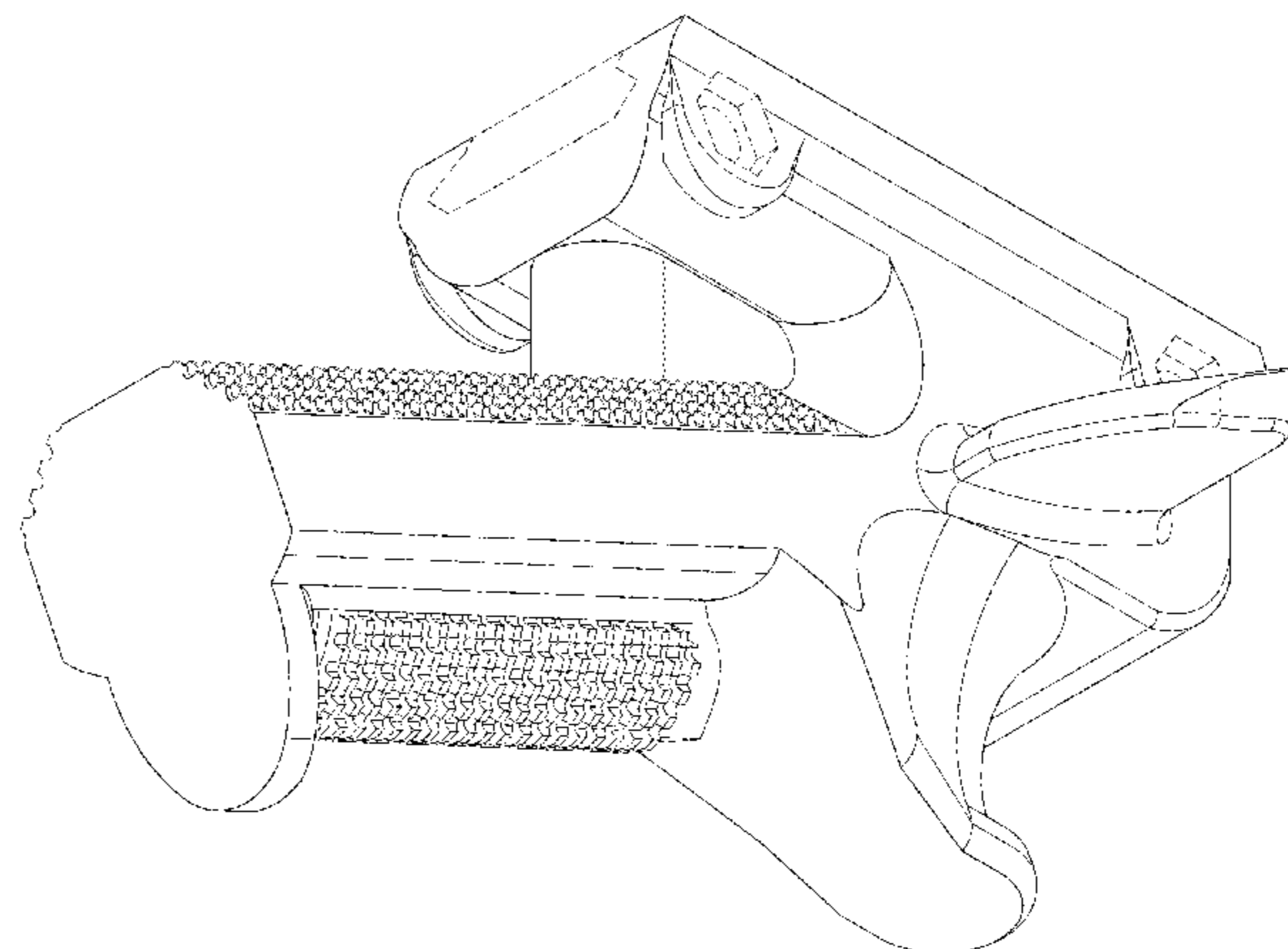
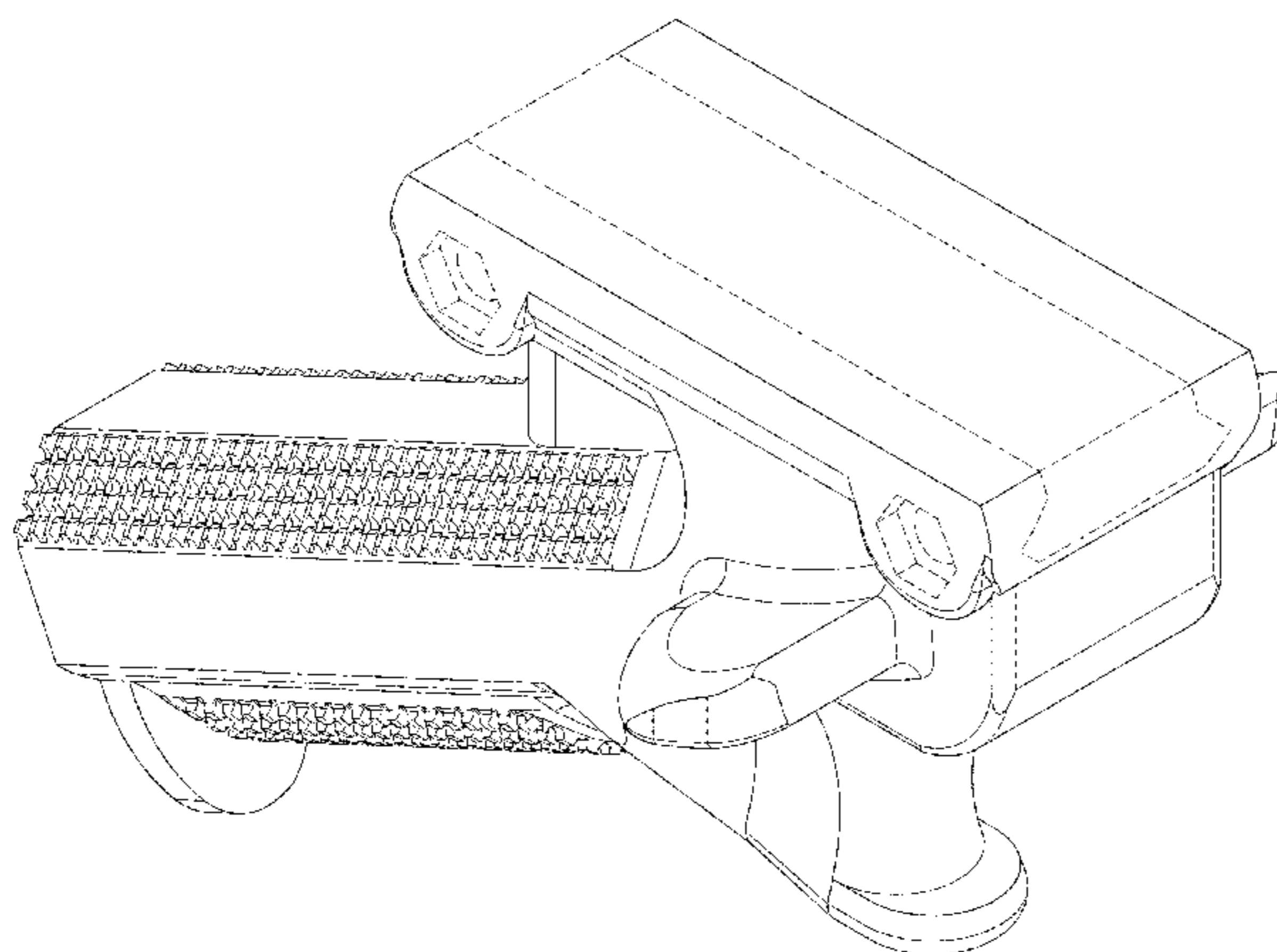
(57) **CLAIM**

The ornamental design for an angled grip, as shown and described.

DESCRIPTION

FIG. 1 is a perspective view of an angled grip; FIG. 2 is another perspective view thereof; FIG. 3 is a front view thereof; FIG. 4 is a rear view thereof; FIG. 5 and FIG. 6 are side views thereof; FIG. 7 is a bottom view thereof; and, FIG. 8 is a side view of a firearm with the angled grip. The broken lines in the drawings are used to illustrate unclaimed parts in FIGS. 1-8 of an angled grip and form no part of the claimed design. A design for an angled grip is set forth in the following specification. The angled grip finds use as an accessory for firearms, paintball guns, and other projectile weapons.

1 Claim, 8 Drawing Sheets



(56)

References Cited

U.S. PATENT DOCUMENTS

D642,651	S	8/2011	Faifer	
D643,497	S	8/2011	Fitzpatrick	
D644,707	S	9/2011	Faifer	
D657,217	S	4/2012	Chang	
D660,934	S	5/2012	Faifer	
D665,043	S	8/2012	Fitzpatrick	
8,245,428	B2	8/2012	Griffin	
8,533,987	B2	9/2013	Rogers	
8,607,492	B2	12/2013	Hartley	
D698,885	S	2/2014	Faifer	
8,707,604	B2	4/2014	Troy et al.	
D704,298	S	5/2014	Cheng	
8,826,792	B1	9/2014	Granger	
8,857,094	B2	10/2014	Michel	
D726,278	S	4/2015	Ding	
D727,455	S	4/2015	Ding	
D728,054	S	4/2015	Webber	
9,010,008	B2 *	4/2015	Hovey F41C 23/16 42/72
D734,418	S	7/2015	Hines	
9,182,194	B2 *	11/2015	Moore F41C 23/16
D745,623	S	12/2015	Flores	
D745,624	S	12/2015	Flores	
D745,628	S	12/2015	Barfoot	
D745,629	S	12/2015	Barfoot	
D745,940	S	12/2015	Flores	
9,228,786	B2	1/2016	Sullivan	
9,234,721	B2 *	1/2016	Hines F41C 23/16
D749,186	S	2/2016	Cheng	
9,341,440	B2 *	5/2016	Moore F41C 23/16
9,423,208	B1	8/2016	Mahmalji	
2005/0024691	A1	2/2005	Mowers	

2008/0010890	A1	1/2008	Vice
2008/0141576	A1	6/2008	Moody
2009/0193702	A1	8/2009	Lin
2009/0194088	A1	8/2009	Tippmann, Jr.
2010/0031552	A1	2/2010	Houde-Walter
2010/0242332	A1	9/2010	Teetzel
2011/0047850	A1	3/2011	Rievley
2011/0047851	A1	3/2011	Mock
2011/0107643	A1	5/2011	Fitzpatrick et al.
2011/0173862	A1	7/2011	Williams
2011/0179688	A1	7/2011	Ash, Jr.
2011/0185617	A1	8/2011	Brixius
2012/0272557	A1	11/2012	Yan
2013/0074685	A1	3/2013	Cottle
2013/0205636	A1	8/2013	Shull
2013/0333263	A1	12/2013	Hovey
2015/0233668	A1	8/2015	Moore
2016/0061560	A1	3/2016	Saadon
2016/0245616	A1	8/2016	Derousse

OTHER PUBLICATIONS

Venom, FDX, LLC., forcexdesign.com, [online], [site visited Feb. 3, 2017]. <URL: <http://forcexdesign.com/product/venom/>>.*
FXD Product Teaser: Venom, Youtube.com, Published on Jul. 31, 2016, [online], [site visited Feb. 3, 2017]. <URL: <https://www.youtube.com/watch?v=G9K6BEvfnZs>>.*
AFG-2-Angled Fore Grip 1913 Picatinny, Magpul.com, [online], [site visited Oct. 13, 2016]. <URL: <https://www.magpul.com/products/afg-2>>.
Stark Equipment Express Angled Fore-Grip (Black), AirsoftGI.com, [online], [site visited Oct. 13, 2016]. <URL: http://www.airsoftgi.com/product_info.php?products_id=15182>.

* cited by examiner

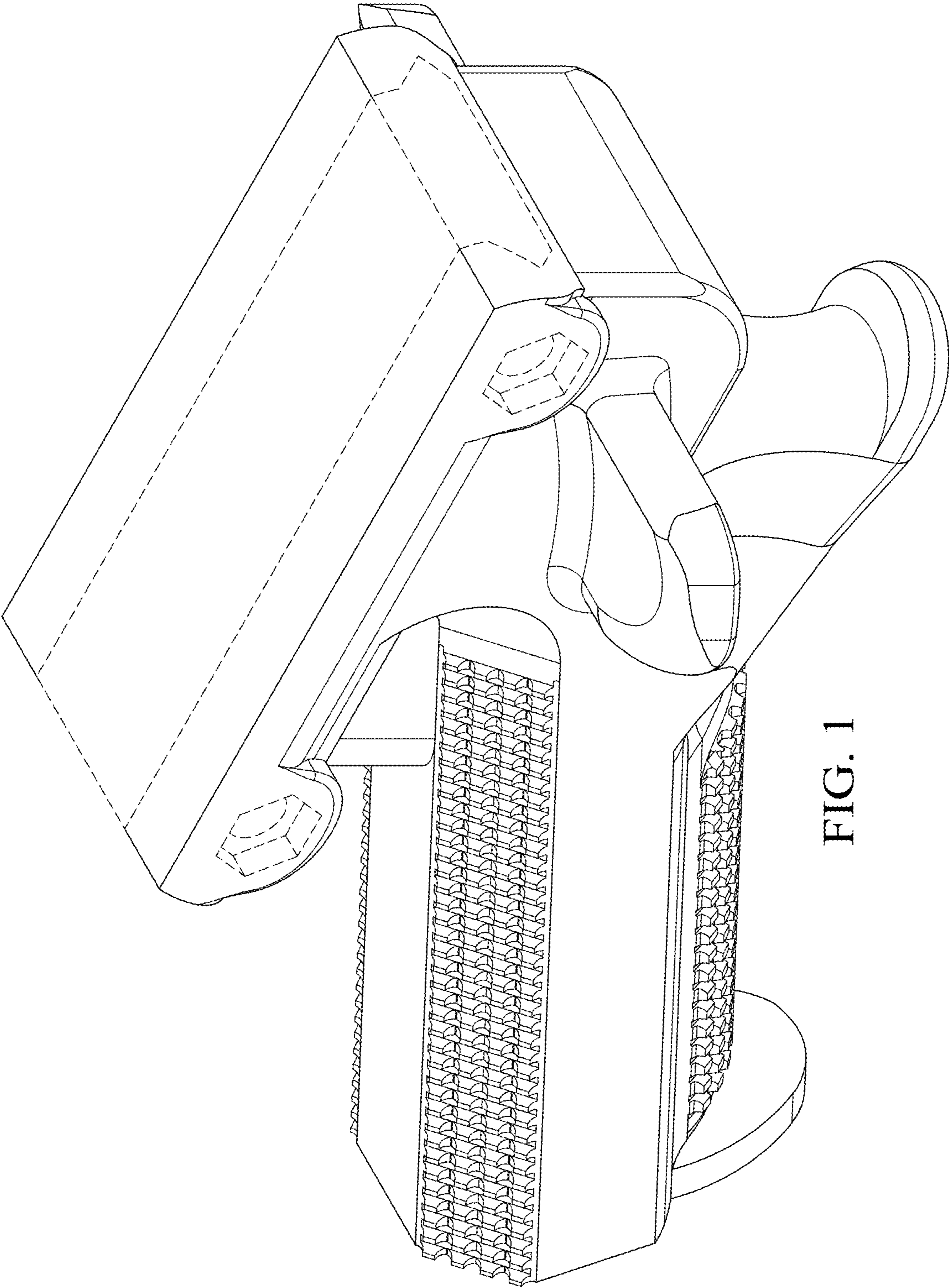


FIG. 1

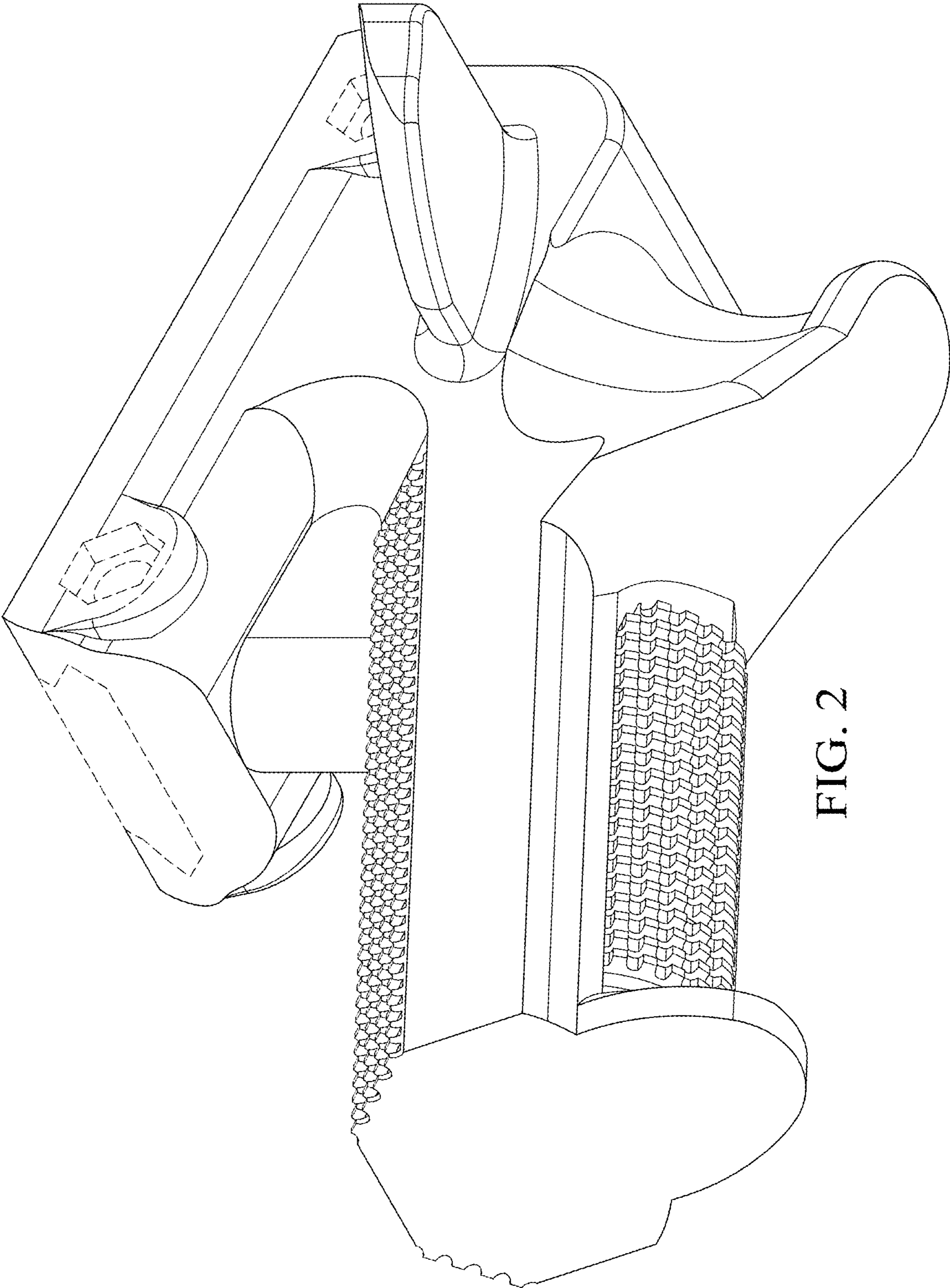


FIG. 2

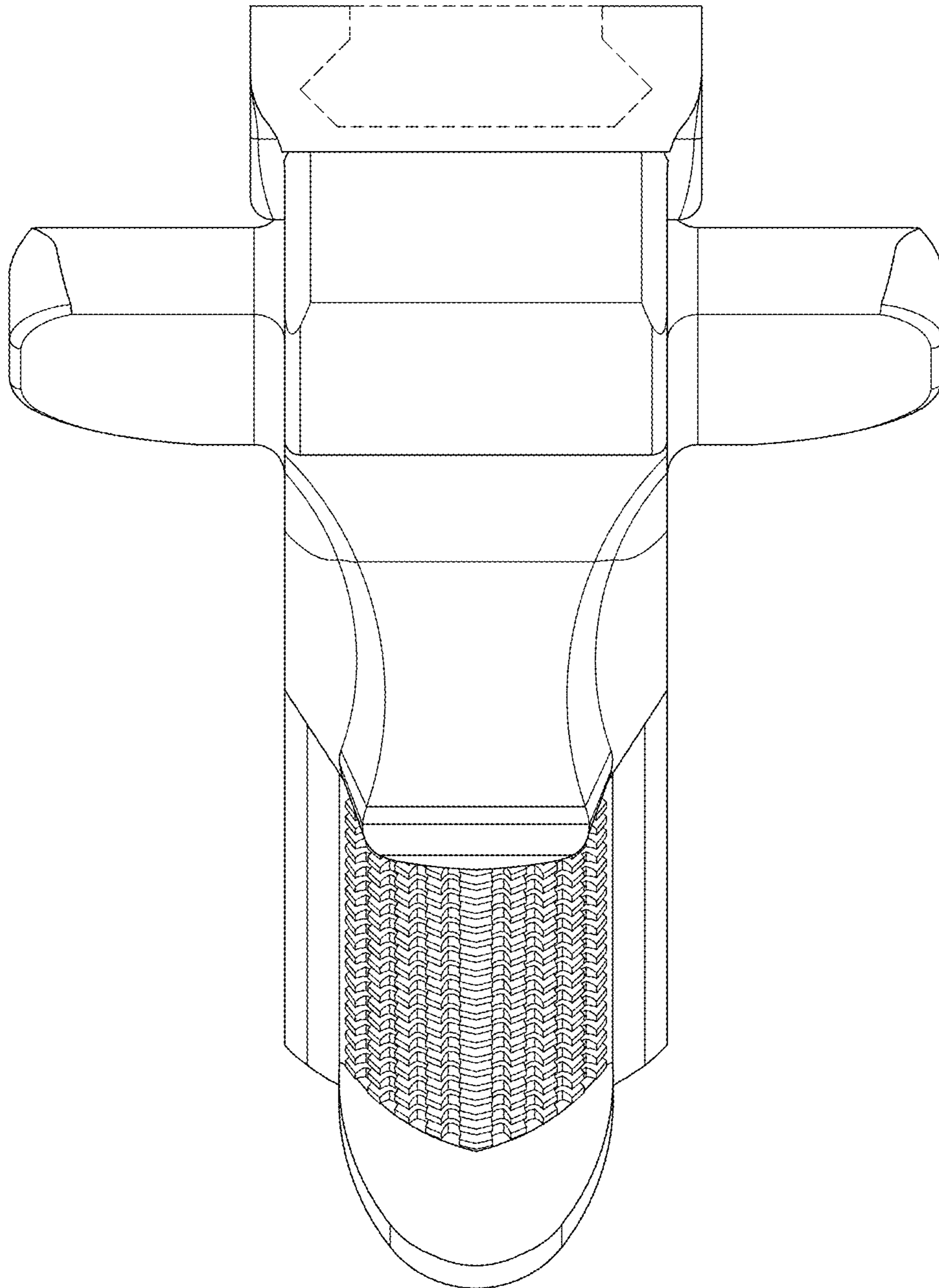


FIG. 3

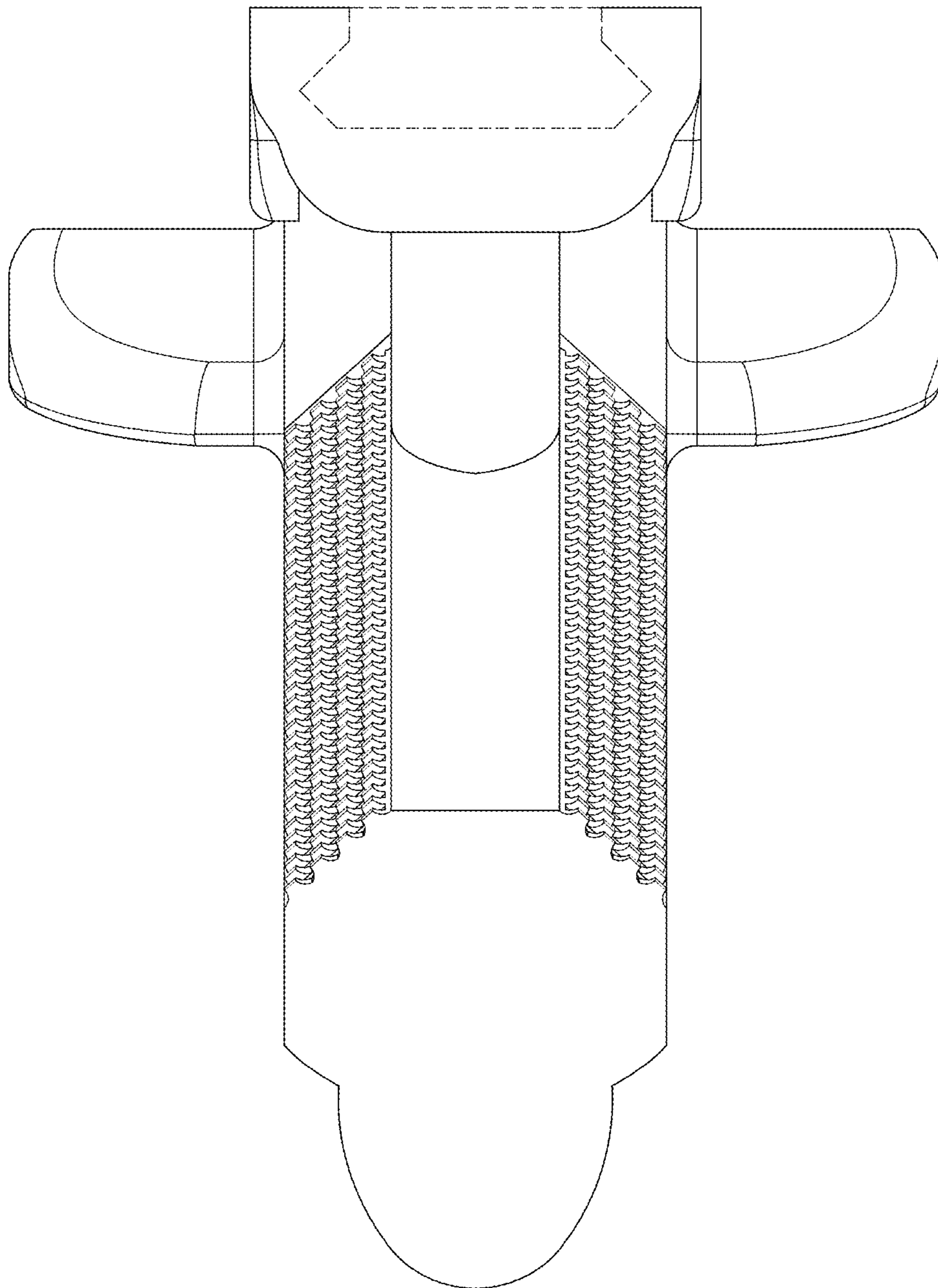


FIG. 4

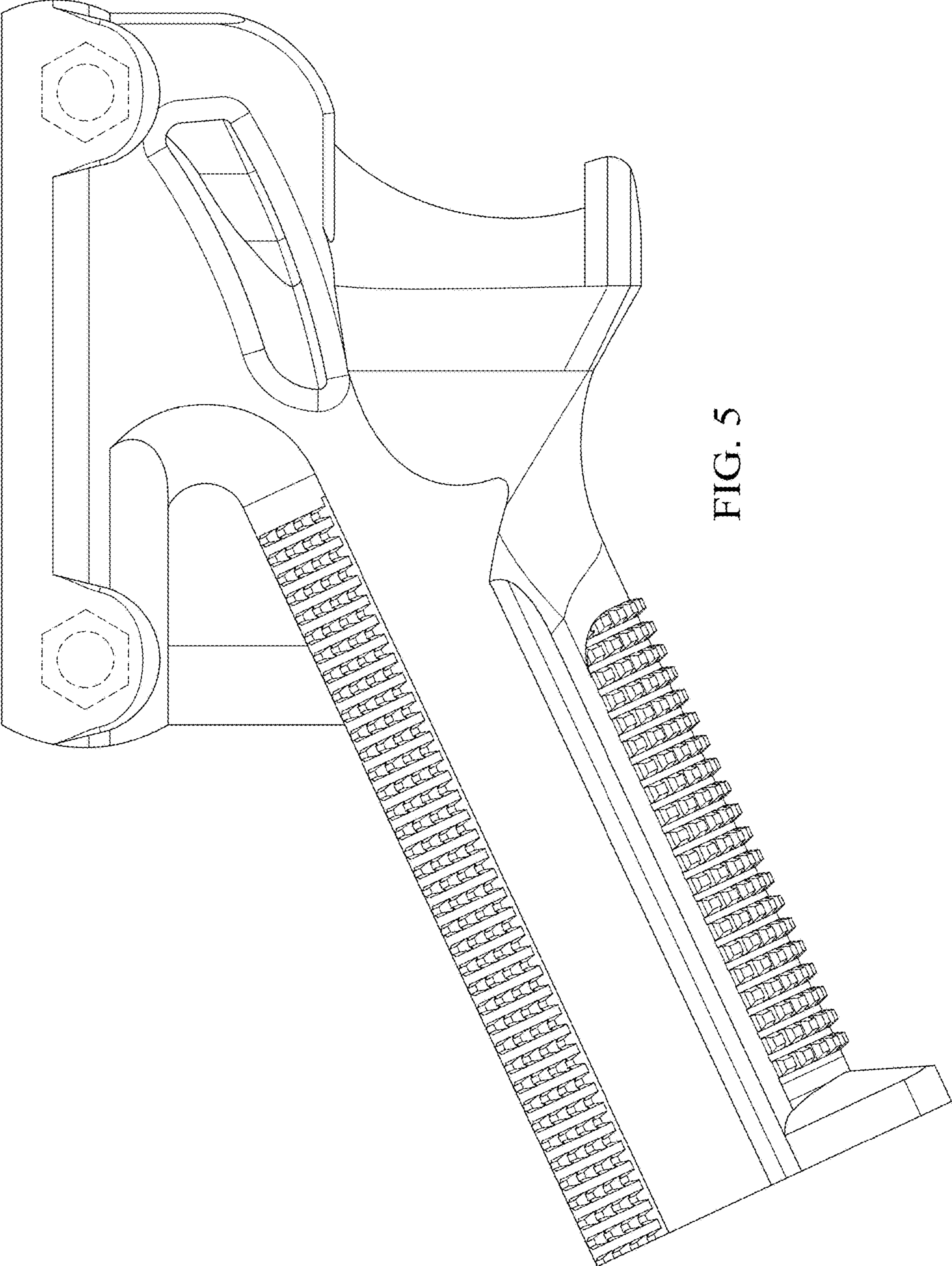


FIG. 5

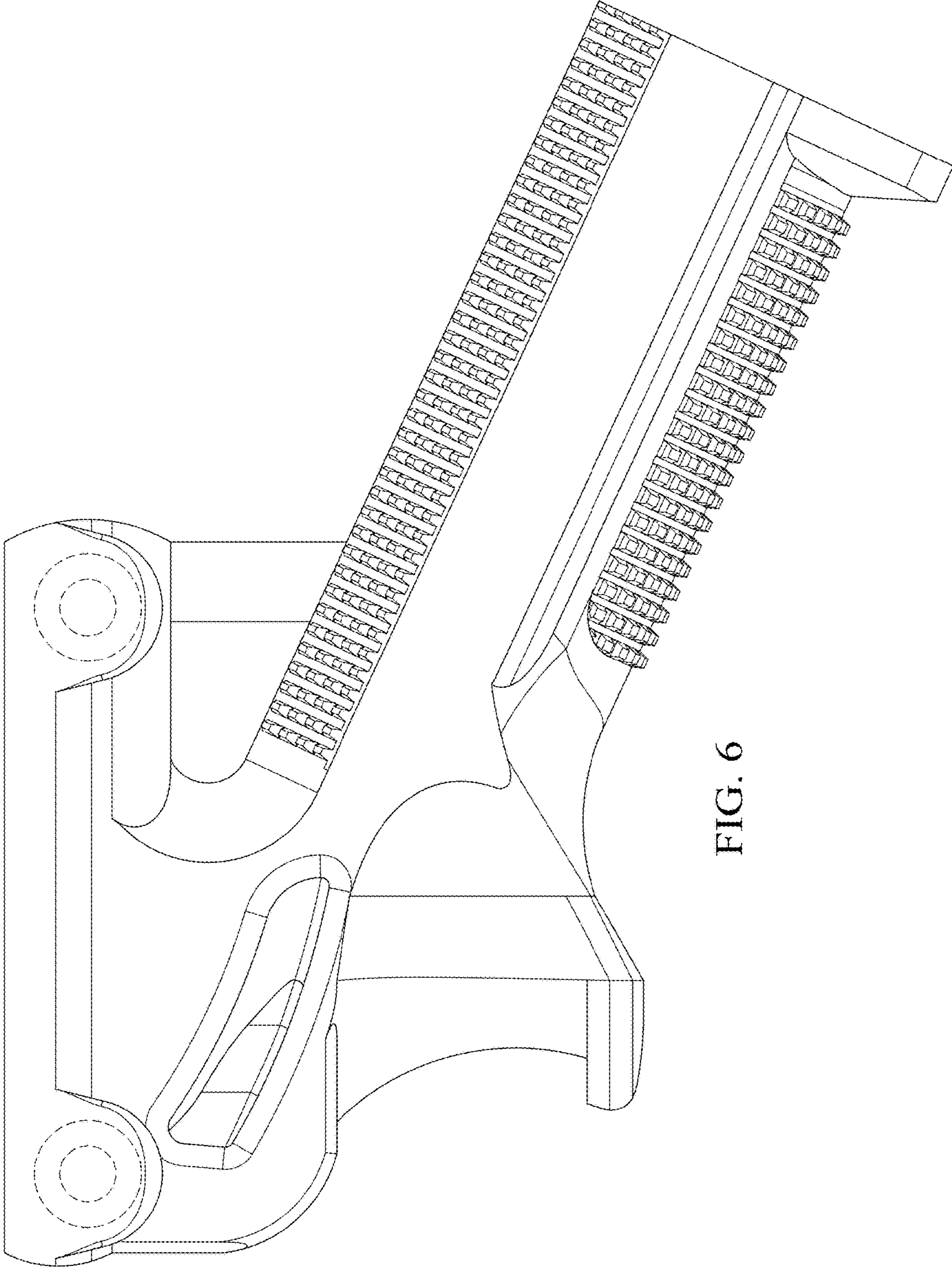


FIG. 6

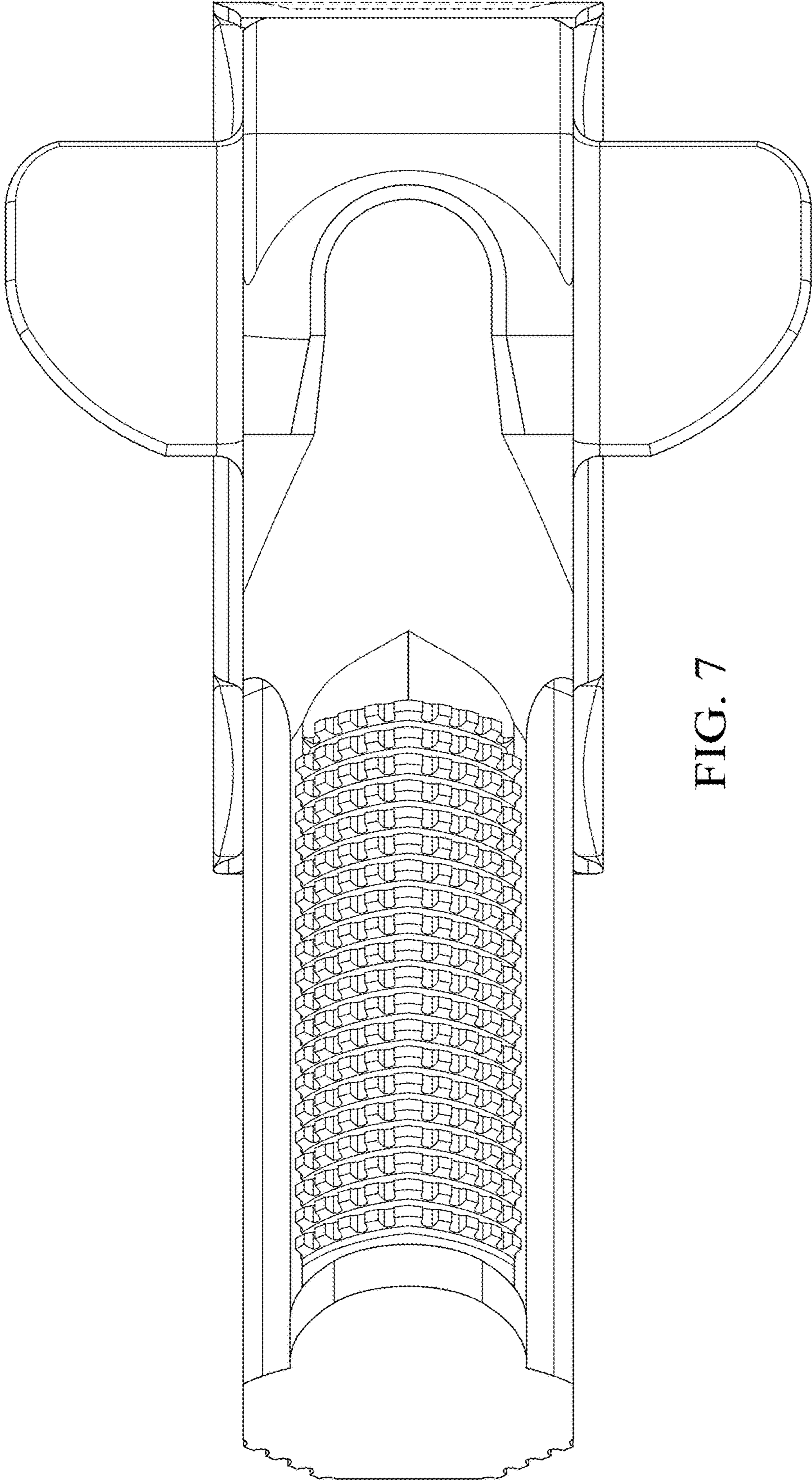


FIG. 7

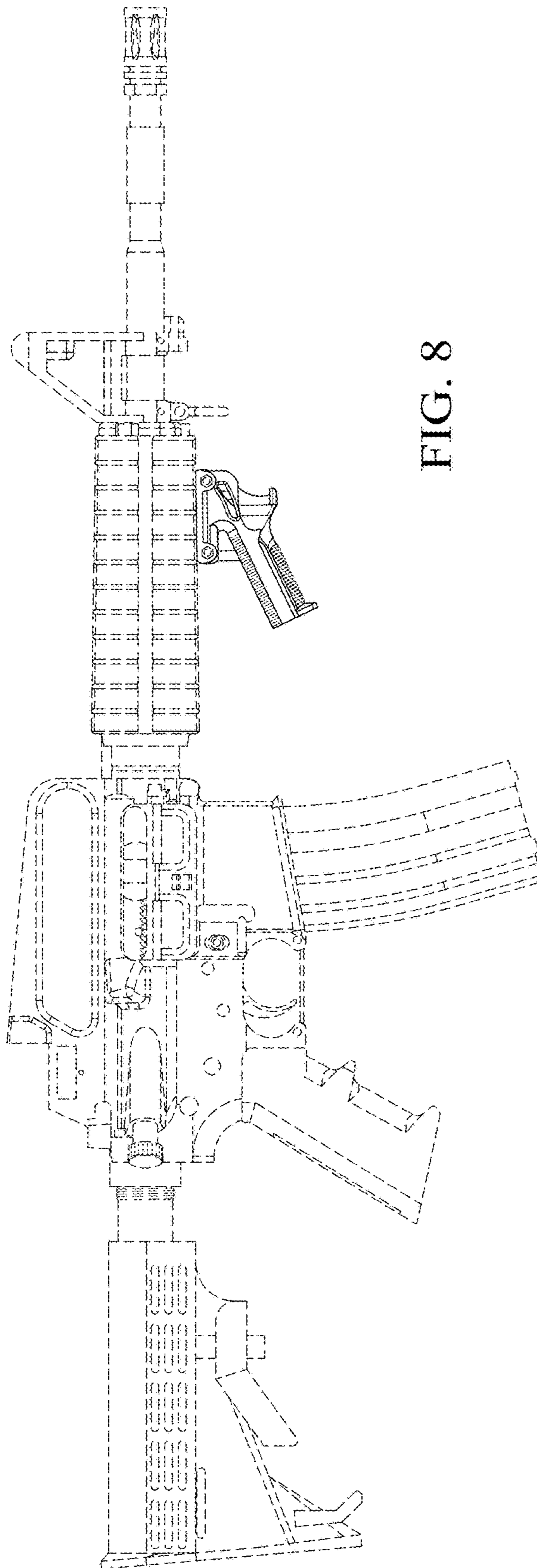


FIG. 8