



US00D790650S

(12) **United States Design Patent** (10) **Patent No.:** **US D790,650 S**  
**Saadon** (45) **Date of Patent:** **\*\* \*Jun. 27, 2017**

- (54) **ANGLED GRIP**
- (71) Applicant: **FXD, LLC**, Austin, TX (US)
- (72) Inventor: **Marschell B Saadon**, Round Rock, TX (US)
- (73) Assignee: **FXD, LLC**, Austin, TX (US)
- (\* ) Notice: This patent is subject to a terminal disclaimer.
- (\*\* ) Term: **15 Years**
- (21) Appl. No.: **29/556,387**
- (22) Filed: **Feb. 29, 2016**

**Related U.S. Application Data**

- (63) Continuation-in-part of application No. 29/549,843, filed on Dec. 28, 2015.
- (51) **LOC (10) Cl.** ..... **22-01**
- (52) **U.S. Cl.**  
USPC ..... **D22/108**
- (58) **Field of Classification Search**  
USPC ..... D22/100, 108, 199; 362/109-114;  
42/90, 94, 114, 117, 124-127, 131, 146  
CPC ..... F41C 23/10; F41C 23/14; F41C 23/16;  
F41C 23/18  
See application file for complete search history.

(56) **References Cited**

**U.S. PATENT DOCUMENTS**

2,056,975	A	10/1936	Michal, Jr.
2,899,767	A	8/1959	Bourdreau
3,128,571	A	4/1964	Herrett
4,475,437	A	10/1984	Sullivan
5,048,215	A	9/1991	Davis
6,782,791	B2	8/2004	Moore
7,111,424	B1	9/2006	Moody
7,140,138	B1	11/2006	Laney
7,454,858	B2	11/2008	Griffin

D585,517	S	1/2009	Faifer
7,568,304	B1	8/2009	Moody
7,676,975	B2	3/2010	Phillips et al.
D617,863	S	6/2010	Moody
D633,163	S	2/2011	Fitzpatrick
D642,651	S	8/2011	Faifer
D643,497	S	8/2011	Fitzpatrick
D644,707	S	9/2011	Faifer

(Continued)

**FOREIGN PATENT DOCUMENTS**

CN	2321482	Y	6/1996
WO	1985005442	A1	12/1985
WO	2012021216	A2	2/2012

**OTHER PUBLICATIONS**

FXD's Revolutionary Gun Grip I forceexdesign.com, Youtube.com, Published on Jul. 12, 2016, [online], [site visited Feb. 3, 2017]. <URL: <https://www.youtube.com/watch?v=S-0pL0izelA>>.\*

(Continued)

*Primary Examiner* — T. Chase Nelson  
*Assistant Examiner* — Jonathan J Han

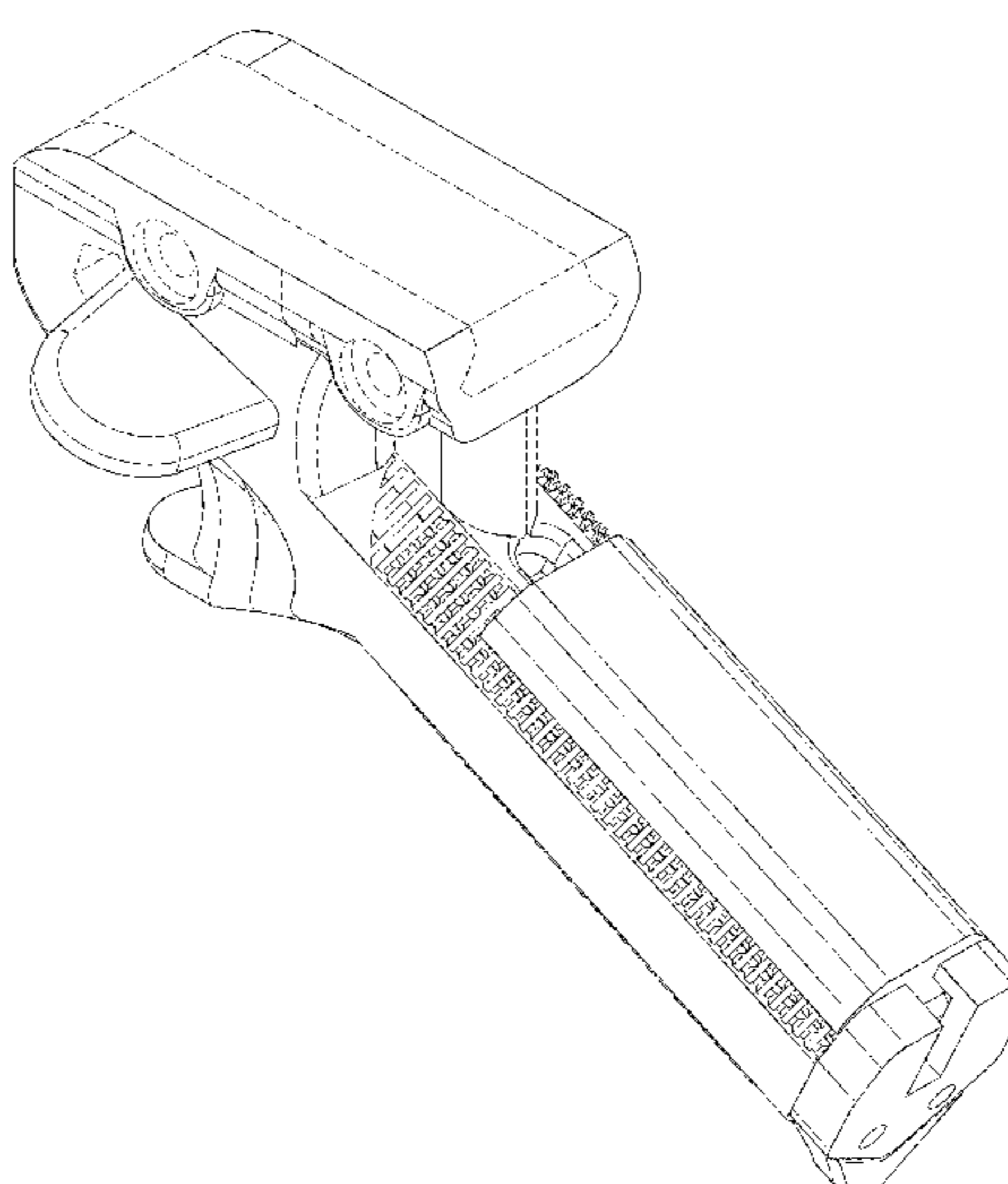
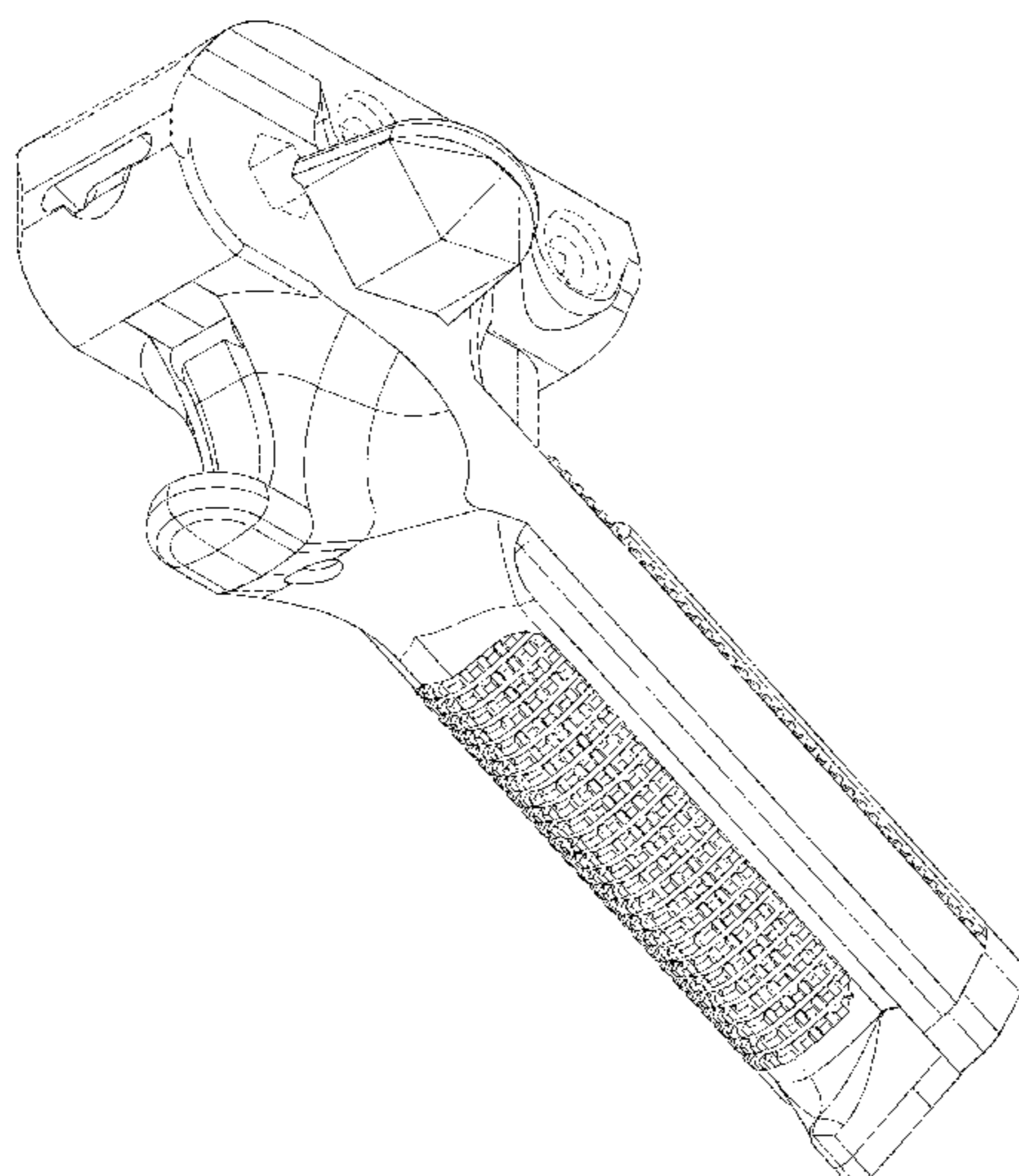
(57) **CLAIM**

The ornamental design for an angled grip, as shown and described.

**DESCRIPTION**

FIG. 1 is a perspective view of an angled grip; FIG. 2 is another perspective view thereof; FIG. 3 is a front view thereof; FIG. 4 is a rear view thereof; FIG. 5 and FIG. 6 are side views thereof; FIG. 7 is a bottom view thereof; and, FIG. 8 is a side view of a firearm with the angled grip. The broken lines in the drawings are used to illustrate unclaimed parts in FIGS. 1, 2, 3, 4, 5, 6, and 8. of an angled grip and form no part of the claimed design.

**1 Claim, 8 Drawing Sheets**



(56)

References Cited

U.S. PATENT DOCUMENTS

D657,217	S	4/2012	Chang	
D660,934	S	5/2012	Faifer	
D665,043	S	8/2012	Fitzpatrick	
8,245,428	B2	8/2012	Griffin	
8,533,987	B2	9/2013	Rogers	
8,607,492	B2	12/2013	Hartley	
D698,885	S	2/2014	Faifer	
8,707,604	B2	4/2014	Troy et al.	
D704,298	S	5/2014	Cheng	
8,826,792	B1	9/2014	Granger	
8,857,094	B2	10/2014	Michel	
D726,278	S	4/2015	Ding	
D727,455	S	4/2015	Ding	
D728,054	S	4/2015	Webber	
9,010,008	B2 *	4/2015	Hovey	..... F41C 23/16 42/72
D734,418	S	7/2015	Hines	
9,182,194	B2 *	11/2015	Moore	..... F41C 23/16
D745,623	S	12/2015	Flores	
D745,624	S	12/2015	Flores	
D745,628	S	12/2015	Barfoot	
D745,629	S	12/2015	Barfoot	
D745,940	S	12/2015	Flores	
9,228,786	B2	1/2016	Sullivan	
9,234,721	B2 *	1/2016	Hines	..... F41C 23/16
D749,186	S	2/2016	Cheng	
9,341,440	B2 *	5/2016	Moore	..... F41C 23/16
9,423,208	B1	8/2016	Mahmalji	
2005/0246910	A1	11/2005	Mowers	
2008/0010890	A1	1/2008	Vice	
2008/0141576	A1	6/2008	Moody	

2009/0193702	A1	8/2009	Lin
2009/0194088	A1	8/2009	Tippman, Jr.
2010/0031552	A1	2/2010	Houde-Walter
2010/0242332	A1	9/2010	Teetzel
2011/0047850	A1	3/2011	Rievley
2011/0047851	A1	3/2011	Mock
2011/0107643	A1	5/2011	Fitzpatrick et al.
2011/0173862	A1	7/2011	Williams
2011/0179688	A1	7/2011	Ash, Jr.
2011/0185617	A1	8/2011	Brixius
2012/0272557	A1	11/2012	Yan
2013/0074685	A1	3/2013	Cottle
2013/0205636	A1	8/2013	Shull
2013/0333263	A1	12/2013	Hovey
2015/0233668	A1	8/2015	Moore
2016/0061560	A1	3/2016	Saadon
2016/0245616	A1	8/2016	Derousse

OTHER PUBLICATIONS

Wasp, FDX, LLC., forceexdesign.com, [online], [site visited Feb. 3, 2017]. <URL: <http://forceexdesign.com/product/wasp/>>.\*

FXD Product Teaser: Wasp, Youtube.com, Published on Jul. 28, 2016, [online], [site visited Feb. 3, 2017]. <URL: [https://www.youtube.com/watch?v=Xz6hZ2\\_RauQ](https://www.youtube.com/watch?v=Xz6hZ2_RauQ)>.\*

AFG-2-Angled Fore Grip 1913 Picatinny, Magpul.com, [online], [site visited Oct. 13, 2016]. <URL: <https://www.magpul.com/products/afg-2>>.

Stark Equipment Express Angled Fore-Grip (Black), AirsoftGI.com, [online], [site visited Oct. 13, 2016]. <URL: [http://www.airsoftgi.com/product\\_info.php?products\\_id=15182](http://www.airsoftgi.com/product_info.php?products_id=15182)>.

\* cited by examiner



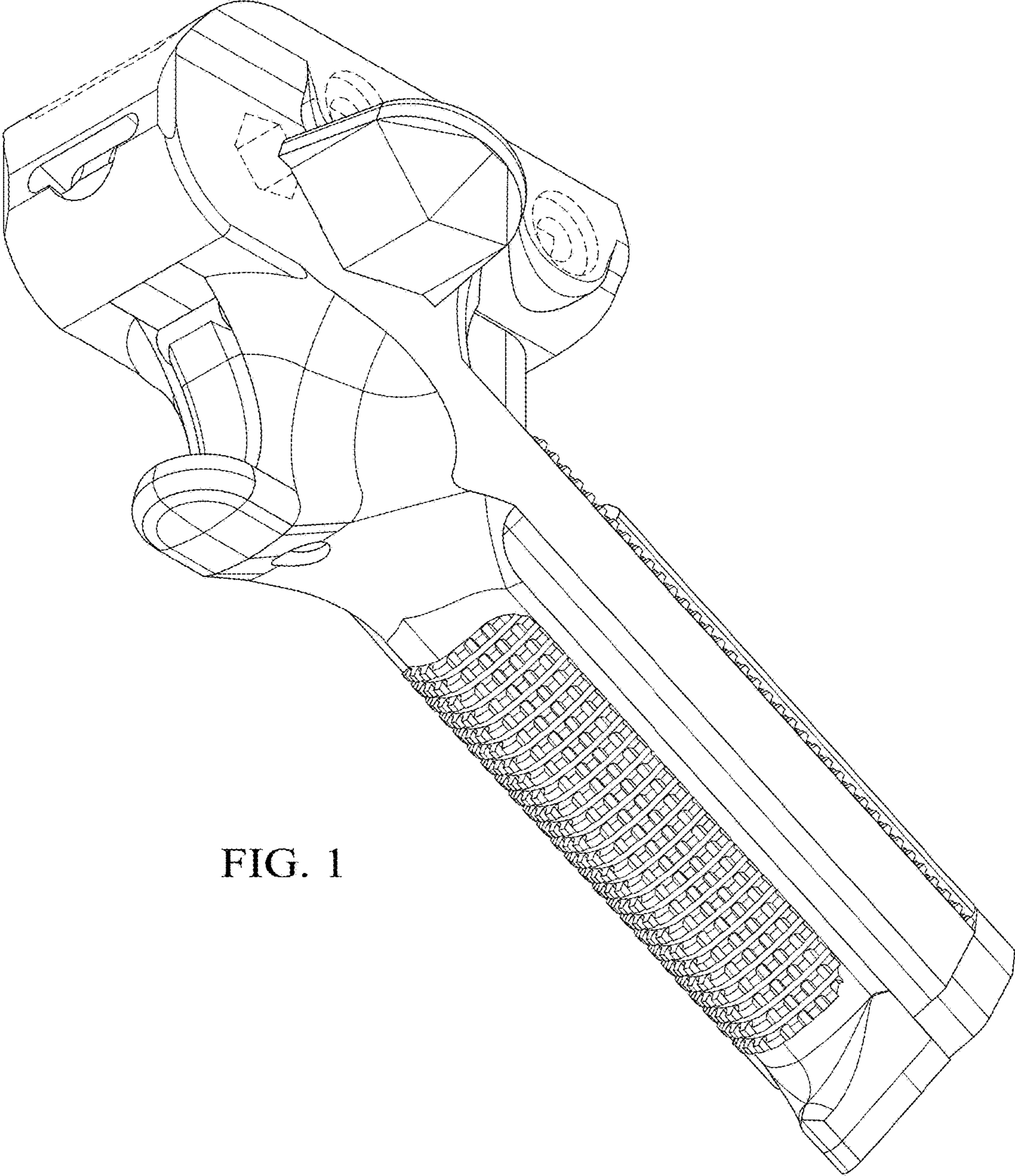


FIG. 1

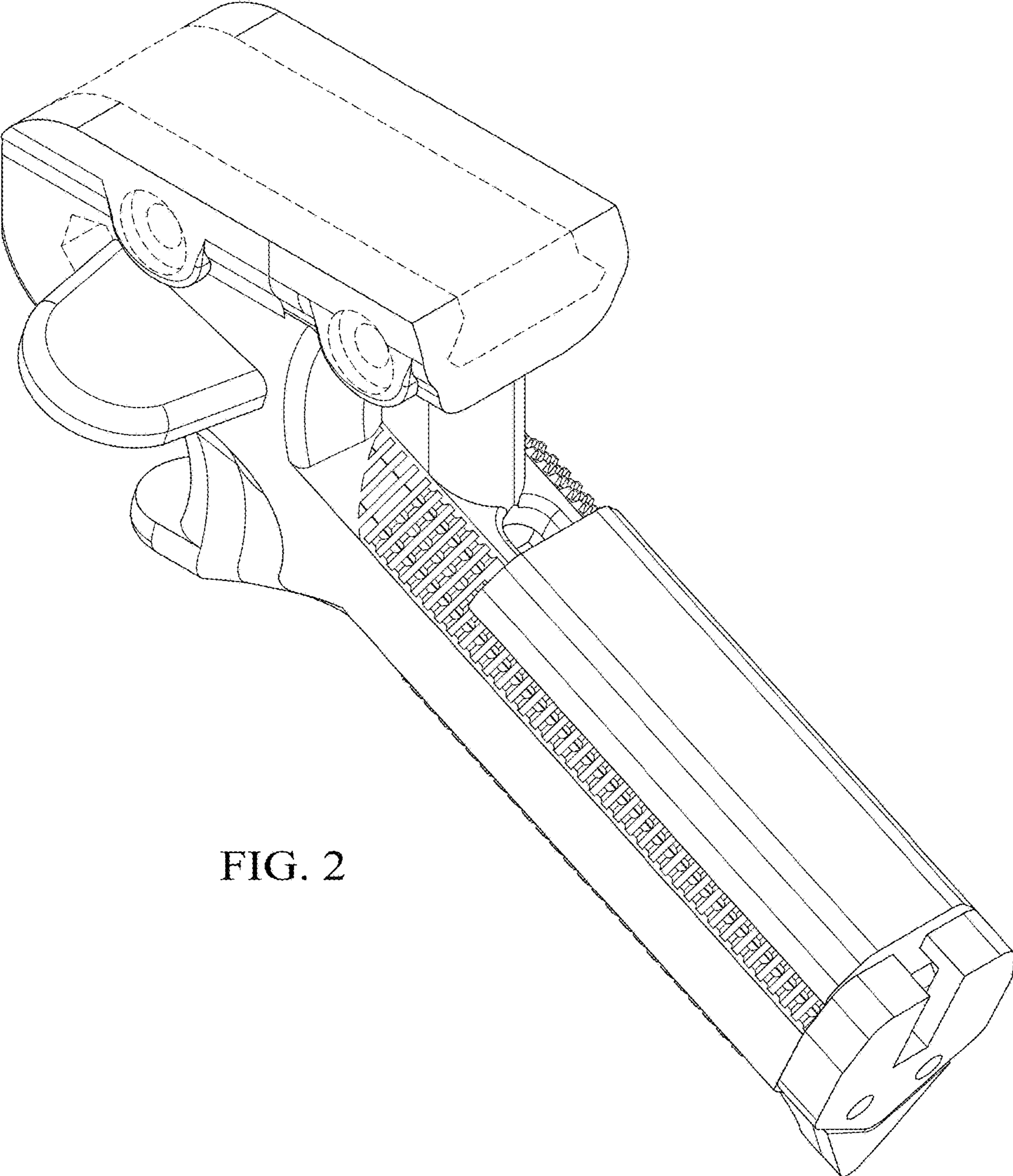


FIG. 2

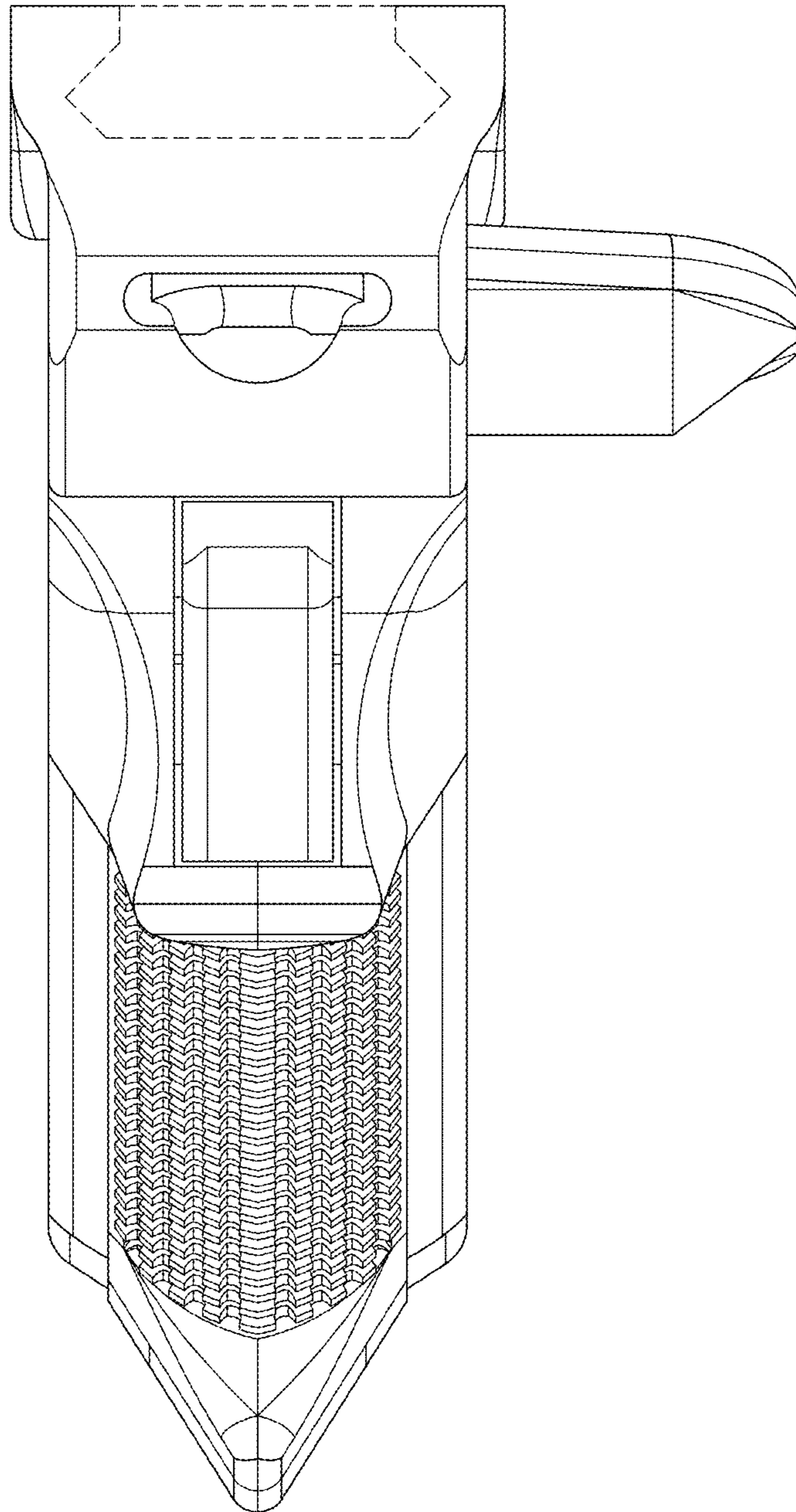


FIG. 3

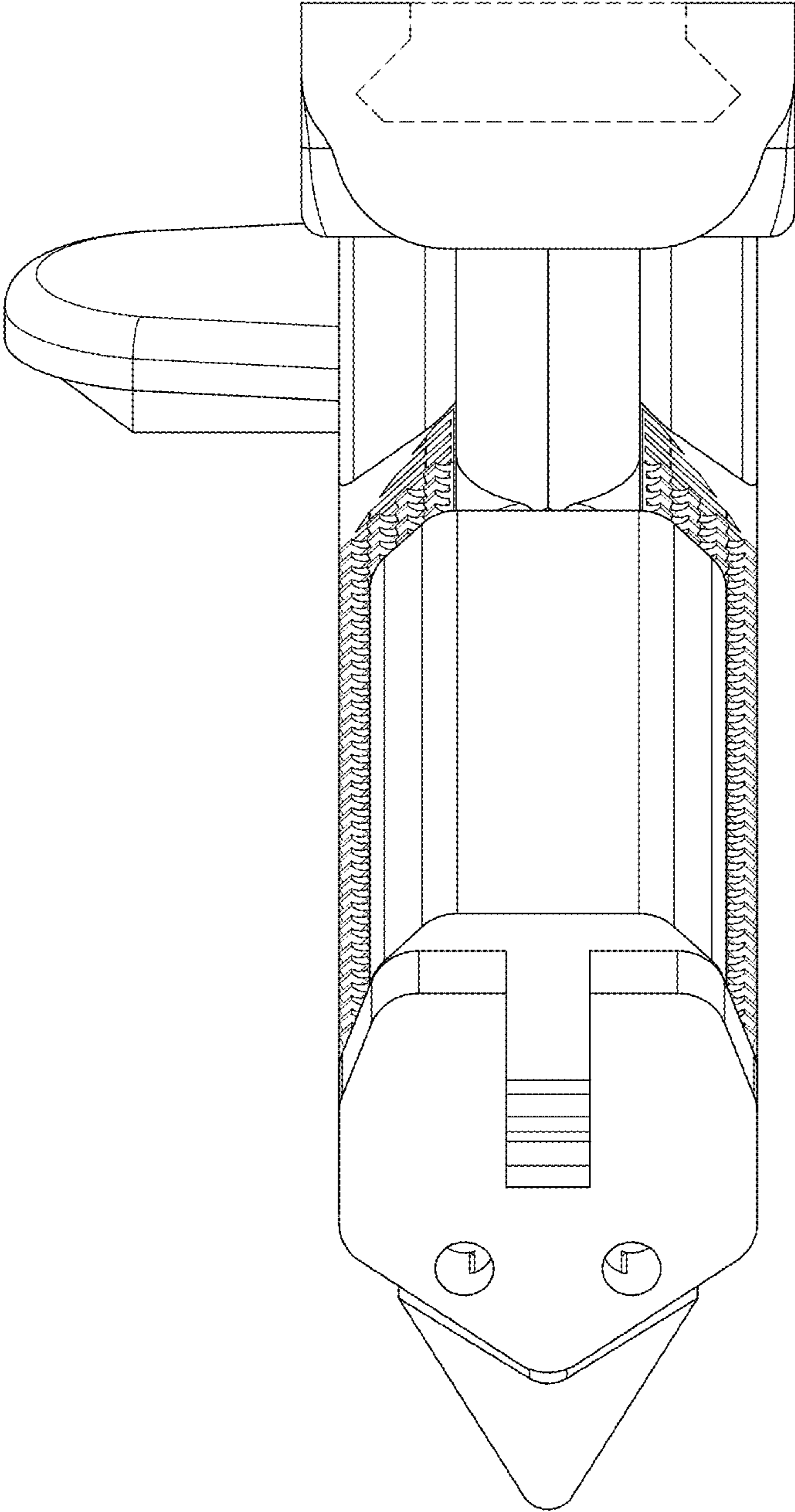


FIG. 4



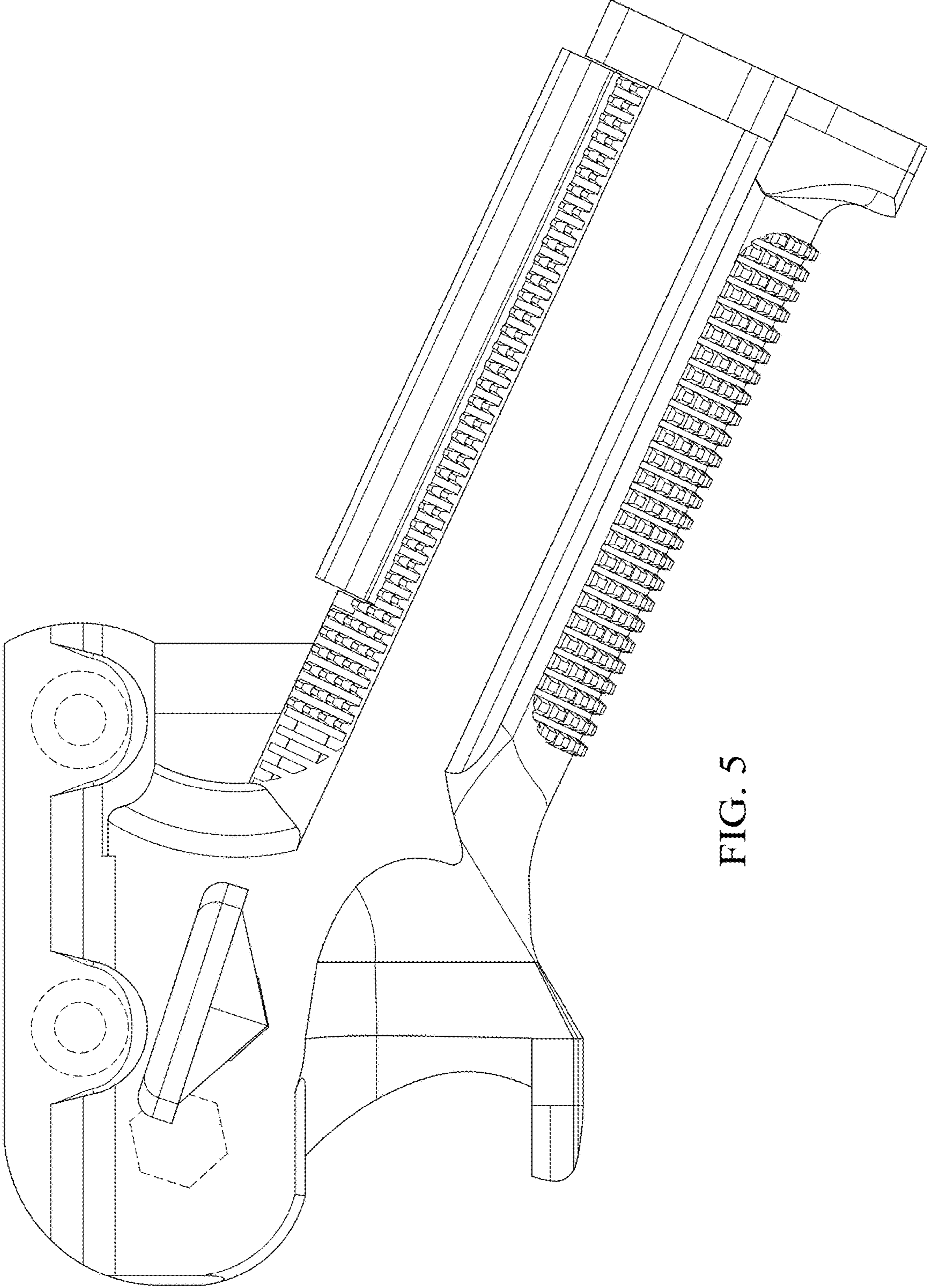


FIG. 5

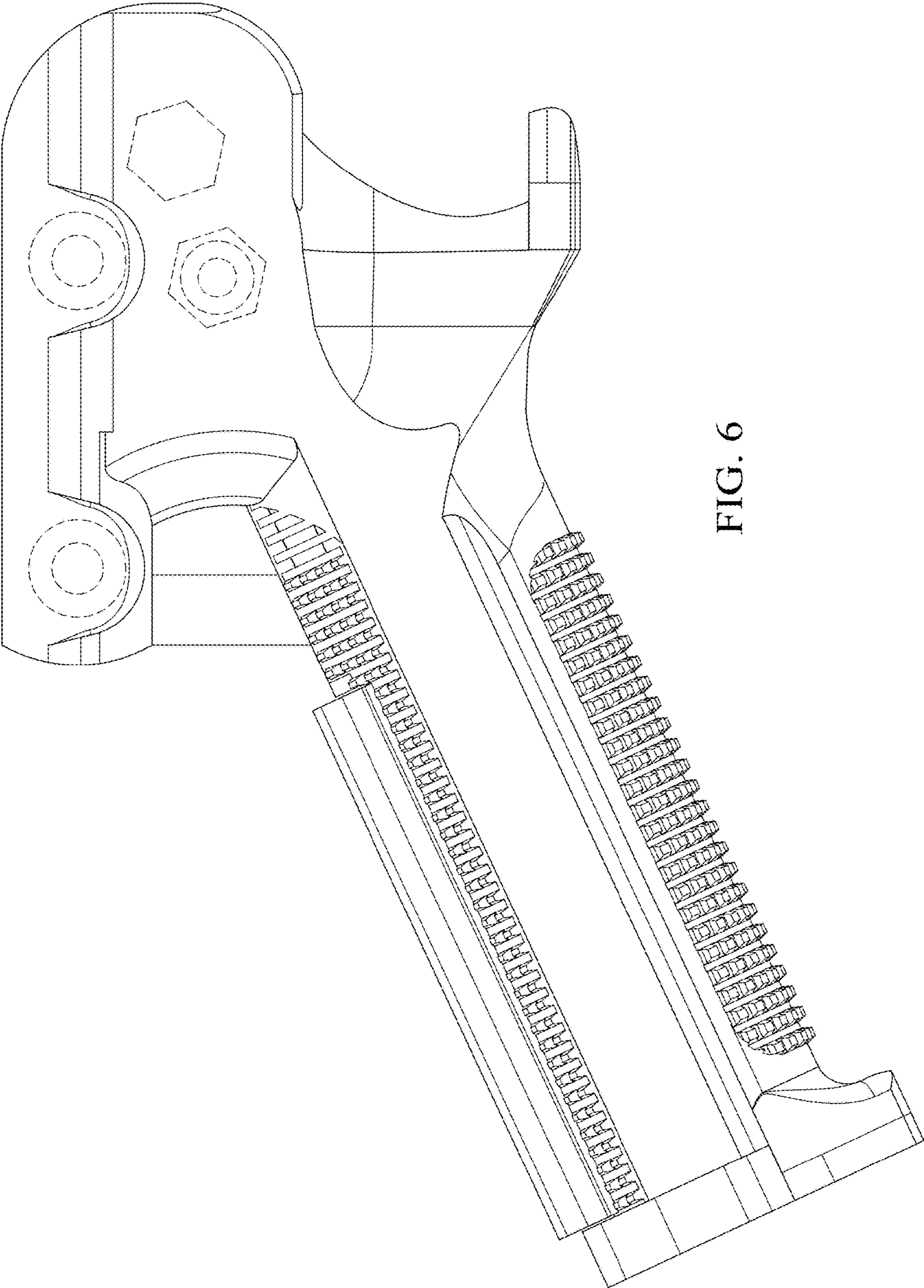


FIG. 6



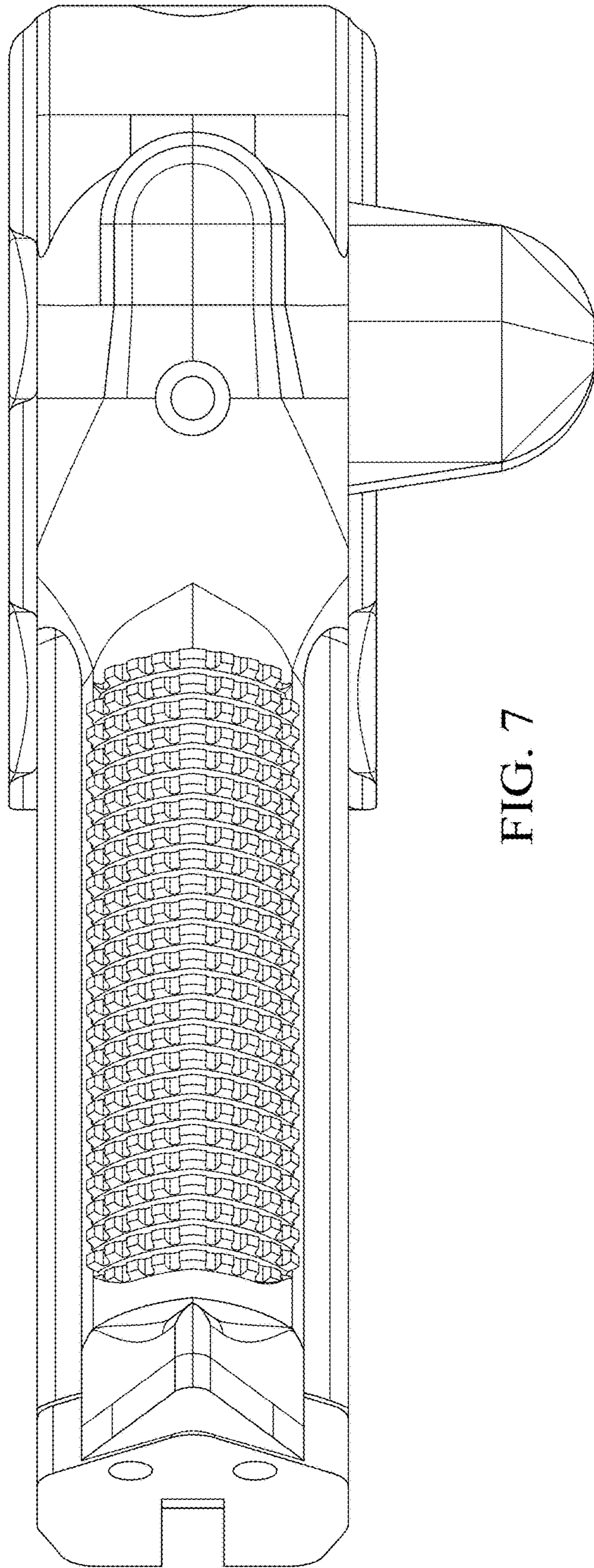


FIG. 7

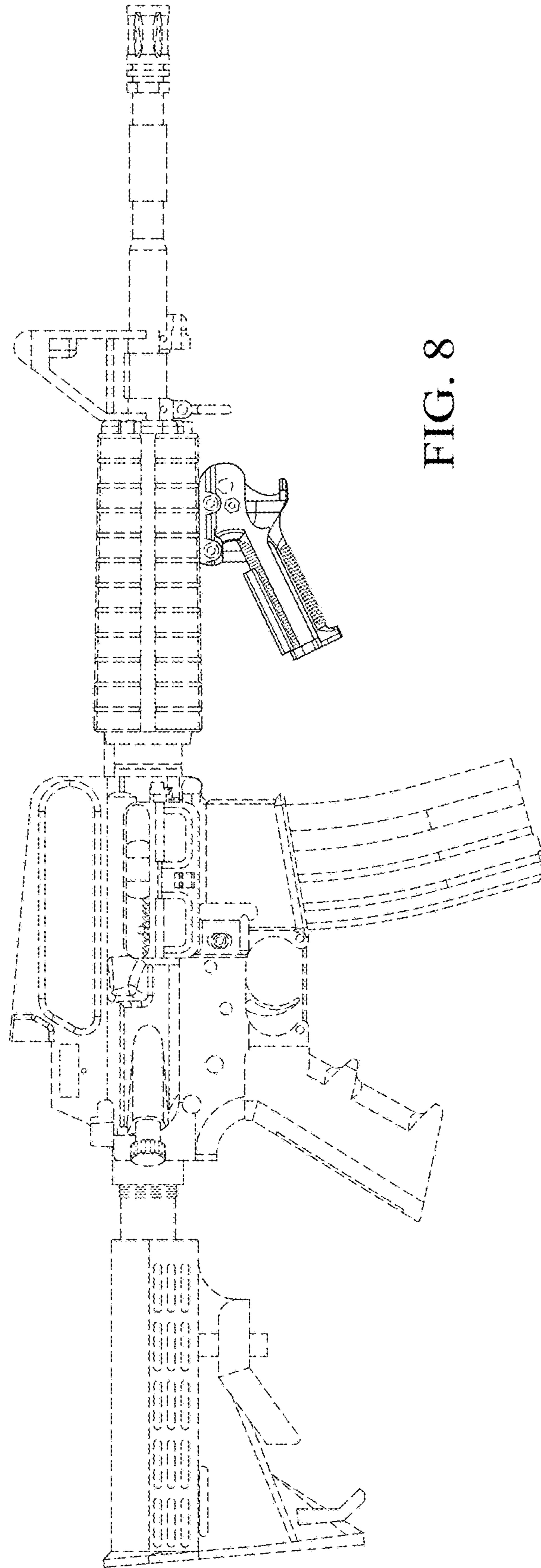


FIG. 8