



US00D790648S

(12) **United States Design Patent**  
**Pezeshk**

(10) **Patent No.:** **US D790,648 S**  
(45) **Date of Patent:** **\*\* Jun. 27, 2017**

(54) **ACCESSORIES LAUNCHER**

(71) Applicant: **Hamid Pezeshk**, Bauxite, AR (US)

(72) Inventor: **Hamid Pezeshk**, Bauxite, AR (US)

(\*\*) Term: **15 Years**

(21) Appl. No.: **29/548,361**

(22) Filed: **Dec. 12, 2015**

(51) **LOC (10) Cl.** ..... **22-01**

(52) **U.S. Cl.**  
USPC ..... **D22/108**

(58) **Field of Classification Search**  
USPC ..... D22/108; D14/418

(Continued)

(56) **References Cited**

U.S. PATENT DOCUMENTS

D303,417 S \* 9/1989 LaViolette ..... D22/100  
4,930,242 A \* 6/1990 Bialy ..... F41C 27/06  
42/105

(Continued)

*Primary Examiner* — Michael A Pratt

(74) *Attorney, Agent, or Firm* — Rashauna Norment

(57) **CLAIM**

The ornamental design for an accessories launcher, as shown and described.

**DESCRIPTION**

FIG. 1 is a perspective view of an accessories launcher, having a closed barrel end and a tube, showing my new design in a disassembled configuration;  
FIG. 2 is another perspective view of FIG. 1 thereof;  
FIG. 3 is a top plan view of FIG. 1 thereof;  
FIG. 4 is a bottom plan view of FIG. 1 thereof;  
FIG. 5 is another perspective view of FIG. 1 thereof, showing the barrel having an indeterminate length;

FIG. 6 is another perspective view of FIG. 1 thereof, with the accessories launcher being in an assembled configuration and shown in use with a soda can;

FIG. 7 is a top plan view of FIG. 6 thereof;

FIG. 8 is a bottom plan view of FIG. 6 thereof;

FIG. 9 is a side elevation view of FIG. 6 thereof, with the remaining side elevation views being a mirror image;

FIG. 10 is a first side elevation view of FIG. 1 thereof, an opposite side being a mirror image thereof;

FIG. 11 is a second side elevation view of FIG. 1 thereof, an opposite side being a mirror image;

FIG. 12 is partially cutaway perspective view of FIG. 6 thereof;

FIG. 13 is a top, plan view of FIG. 16 thereof;

FIG. 14 is a top plan view of FIG. 16 thereof;

FIG. 15 is a perspective view of FIG. 16 thereof, with the accessories launcher being in an assembled configuration;

FIG. 16 is a perspective view of another embodiment of FIG. 1 thereof, with the accessories launcher having an open barrel end, and shown in a disassembled configuration;

FIG. 17 is a first side elevation view of FIG. 16 thereof, an opposite side being a mirror image thereof;

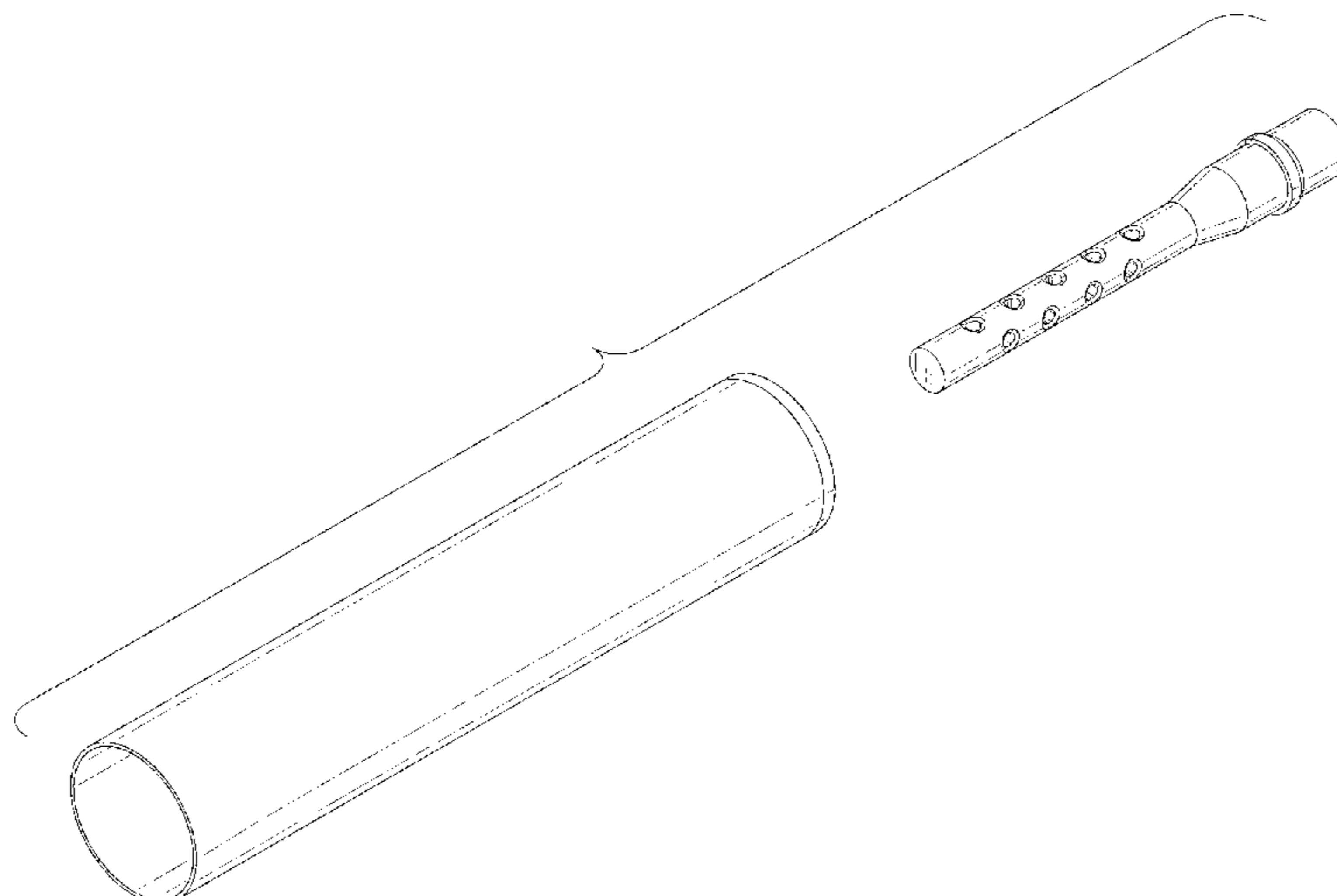
FIG. 18 is a second side elevation view of FIG. 16 thereof, an opposite side being a mirror image thereof; and,

FIG. 19 is a partial cutaway perspective view of FIG. 16 thereof.

The broken lines of the soda can and the cutaway lines shown in FIGS. 12 and 19 are for illustrative purposes only, and do not form part of the claimed design.

It is understood that the corresponding bottom plan view of the embodiment showing the accessories launcher having a barrel with an open end, and shown a disassembled configuration, shown in FIGS. 13, 16-18, is similar to the bottom plan view of the embodiment of the accessories launcher having a barrel with a closed end and shown in a disassembled configuration of FIG. 4. The corresponding bottom plan and side elevation views of the embodiment showing the accessories launcher having a barrel with an open end and shown in an assembled configuration, shown in FIGS. 14-15 and 19, are similar to the bottom plan view and side elevation views of FIGS. 8 and 9, respectively.

**1 Claim, 14 Drawing Sheets**



(58) **Field of Classification Search**

CPC ..... F41C 23/00; F41C 27/00; F41C 27/06;  
F41C 23/10; F41C 23/14; F41C 23/16;  
F41C 23/18; F41A 5/18; F41A 5/24;  
F41A 21/28

See application file for complete search history.

(56) **References Cited**

U.S. PATENT DOCUMENTS

5,832,911	A *	11/1998	Mayville .....	F41B 11/51 124/53.5
D548,812	S *	8/2007	Tippmann, Jr. ....	D22/113
7,487,612	B2 *	2/2009	Macaluso .....	F41C 7/025 42/10
D599,875	S *	9/2009	Tippmann, Jr. ....	D22/113
8,316,769	B2 *	11/2012	Wilson .....	F42B 8/02 102/439
D770,001	S *	10/2016	Nicklos .....	D22/103
2016/0153744	A1 *	6/2016	Teetzel .....	F41C 27/06 42/105

\* cited by examiner

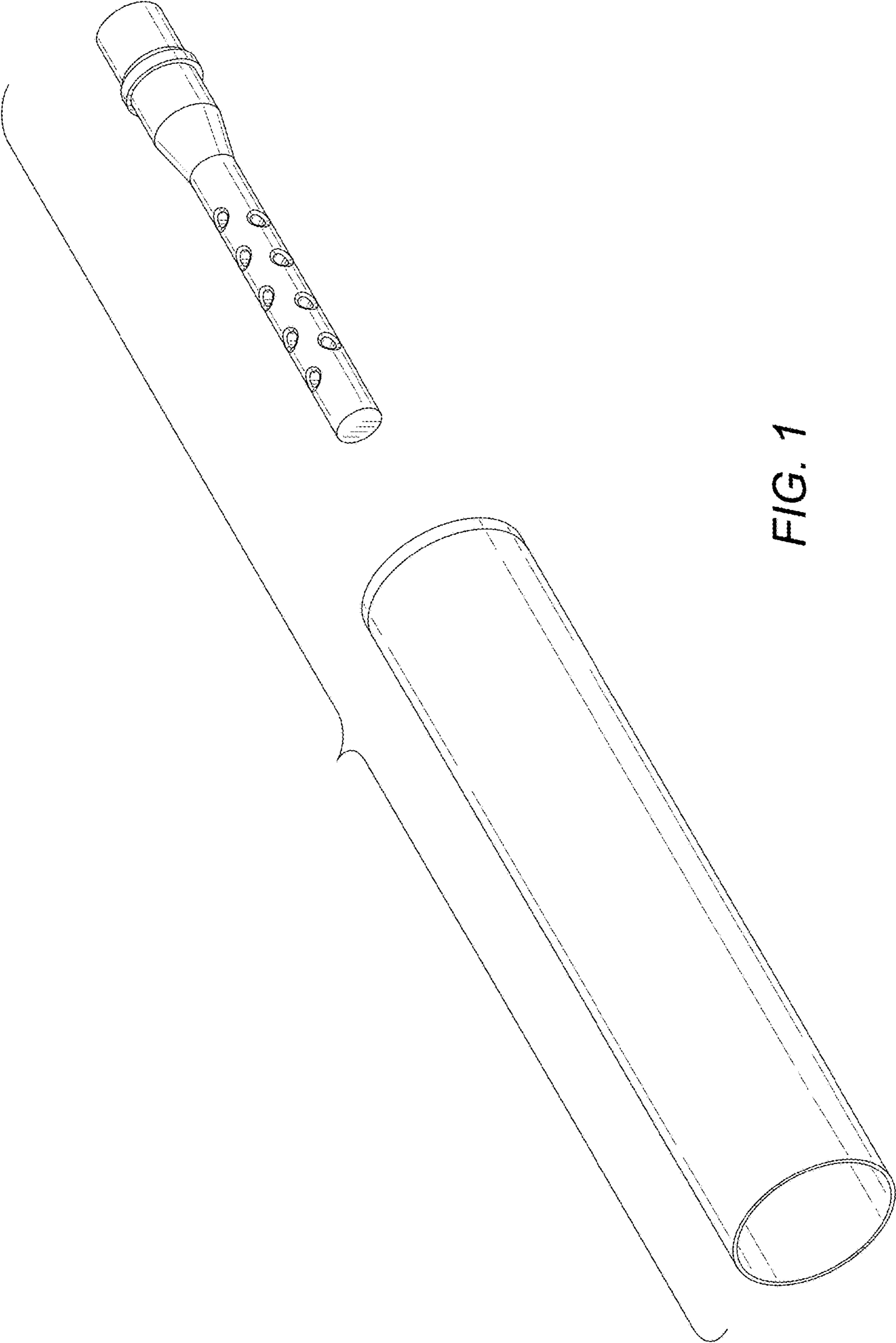


FIG. 1

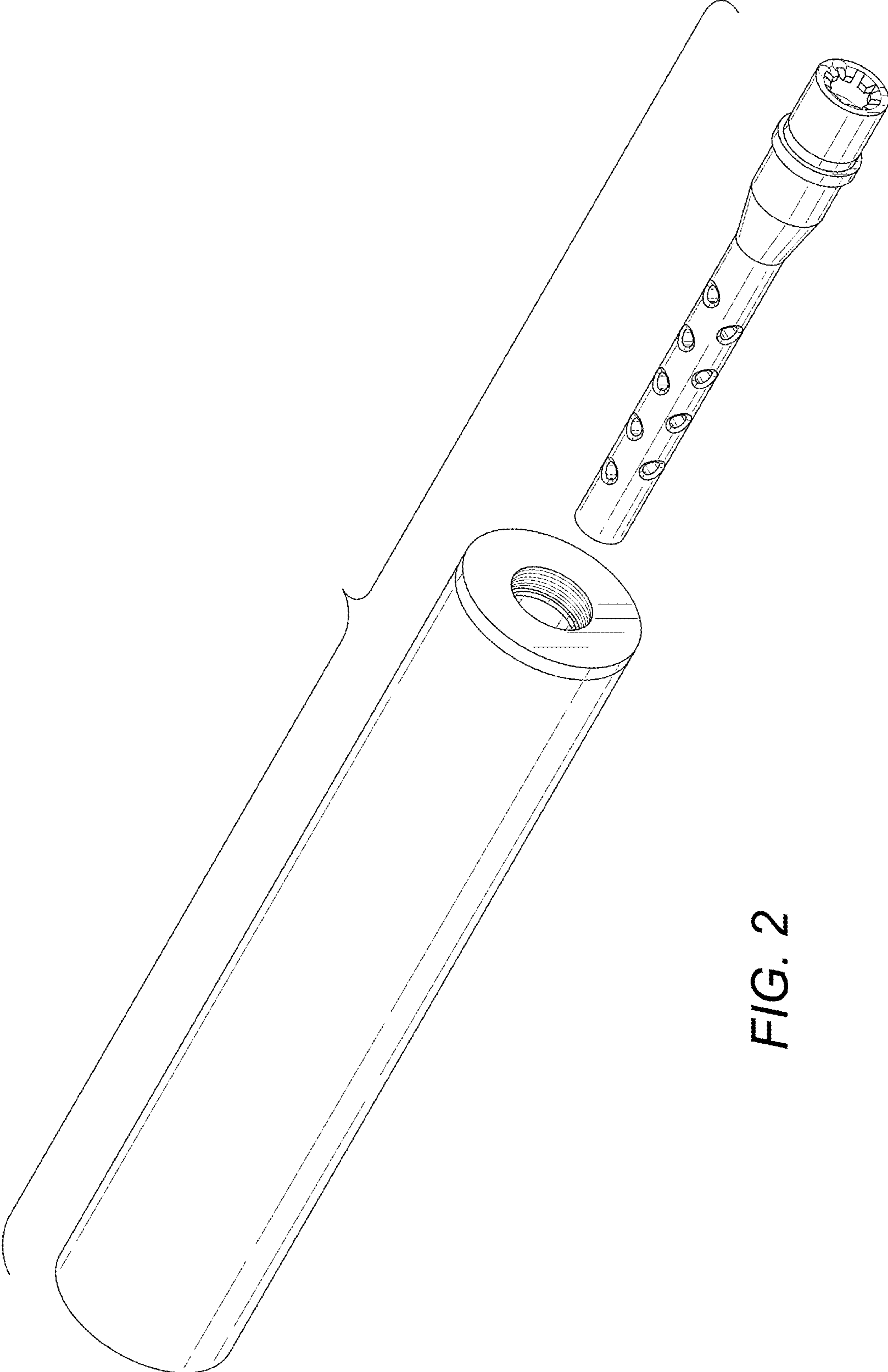


FIG. 2

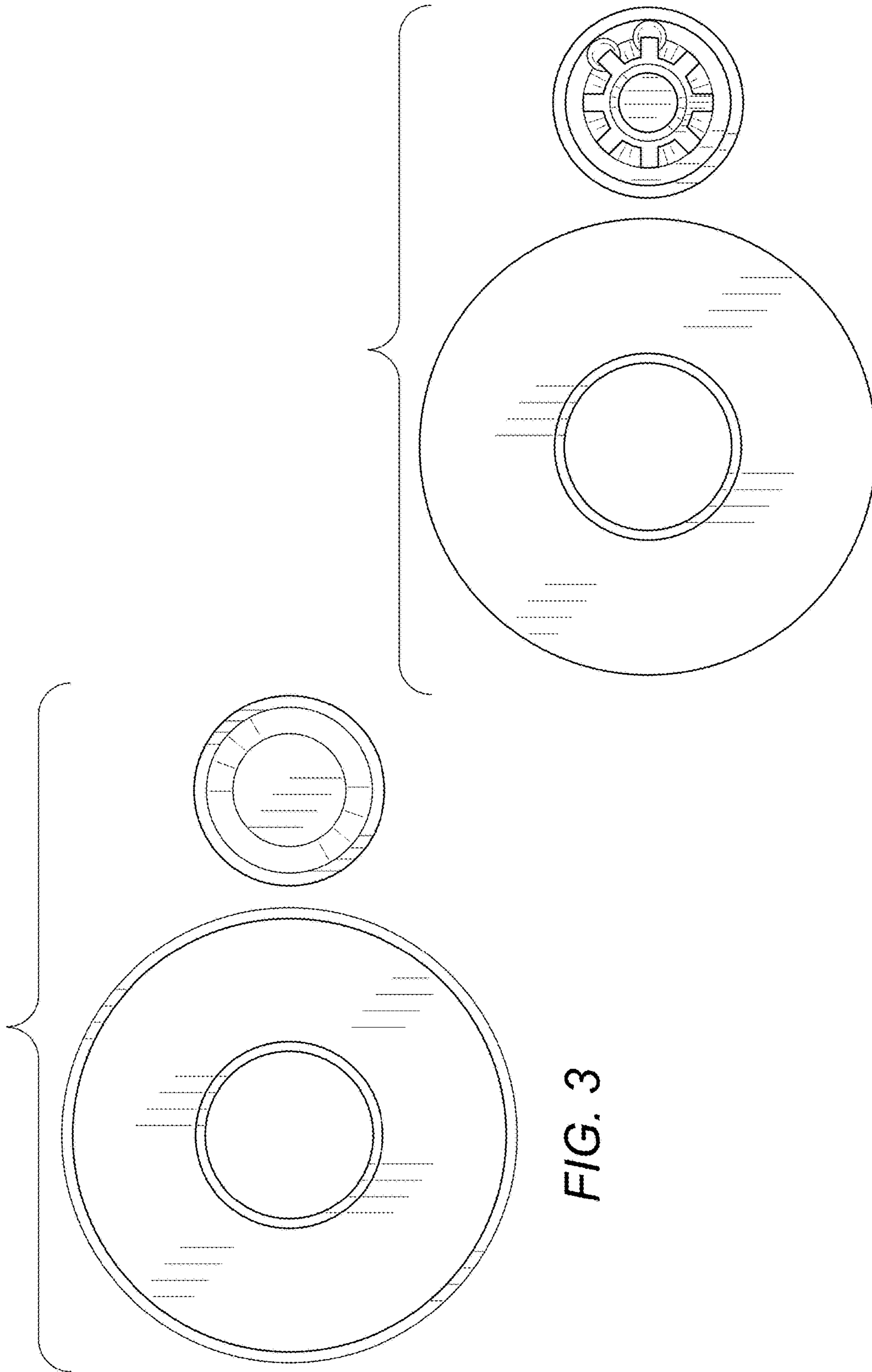


FIG. 3

FIG. 4

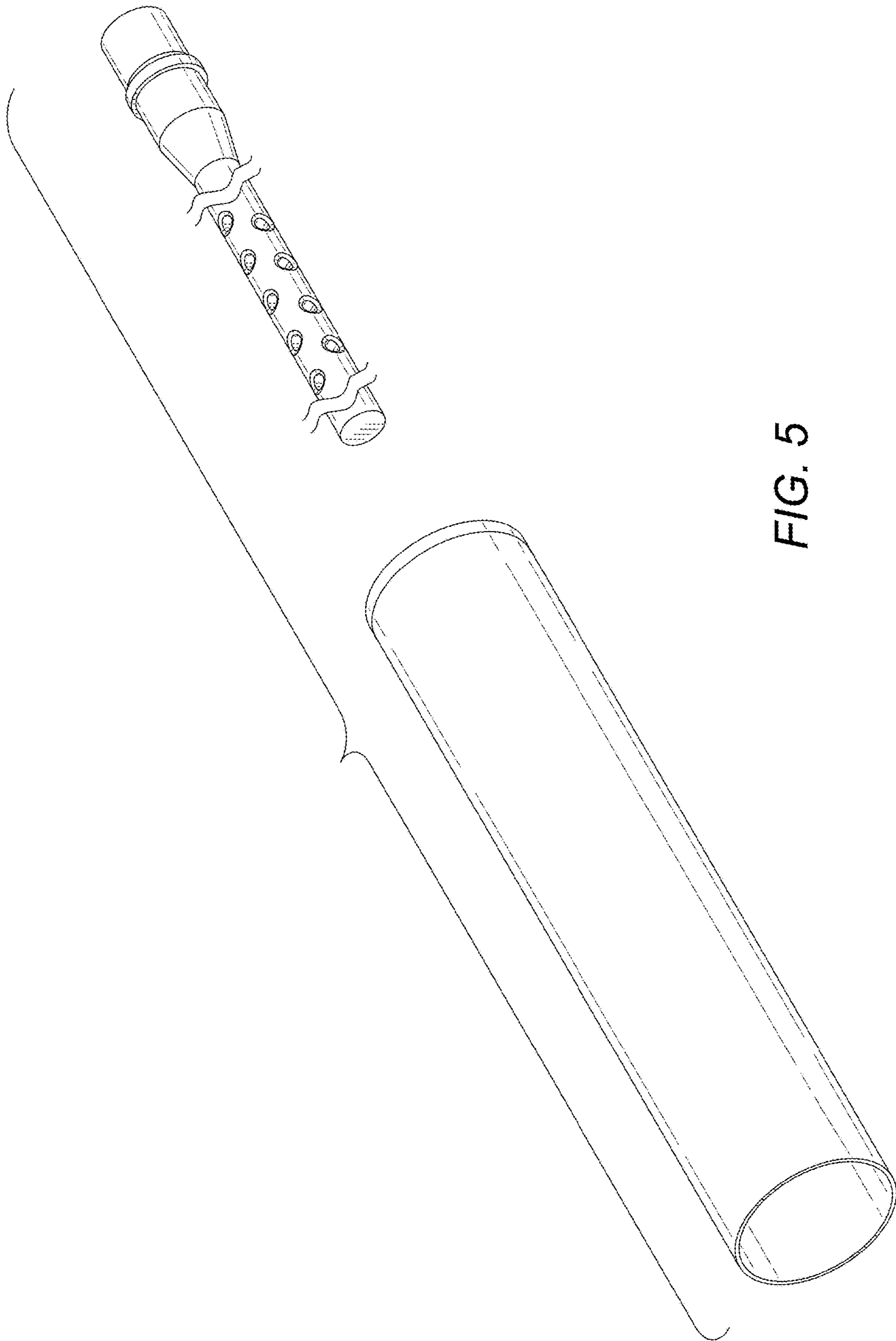


FIG. 5

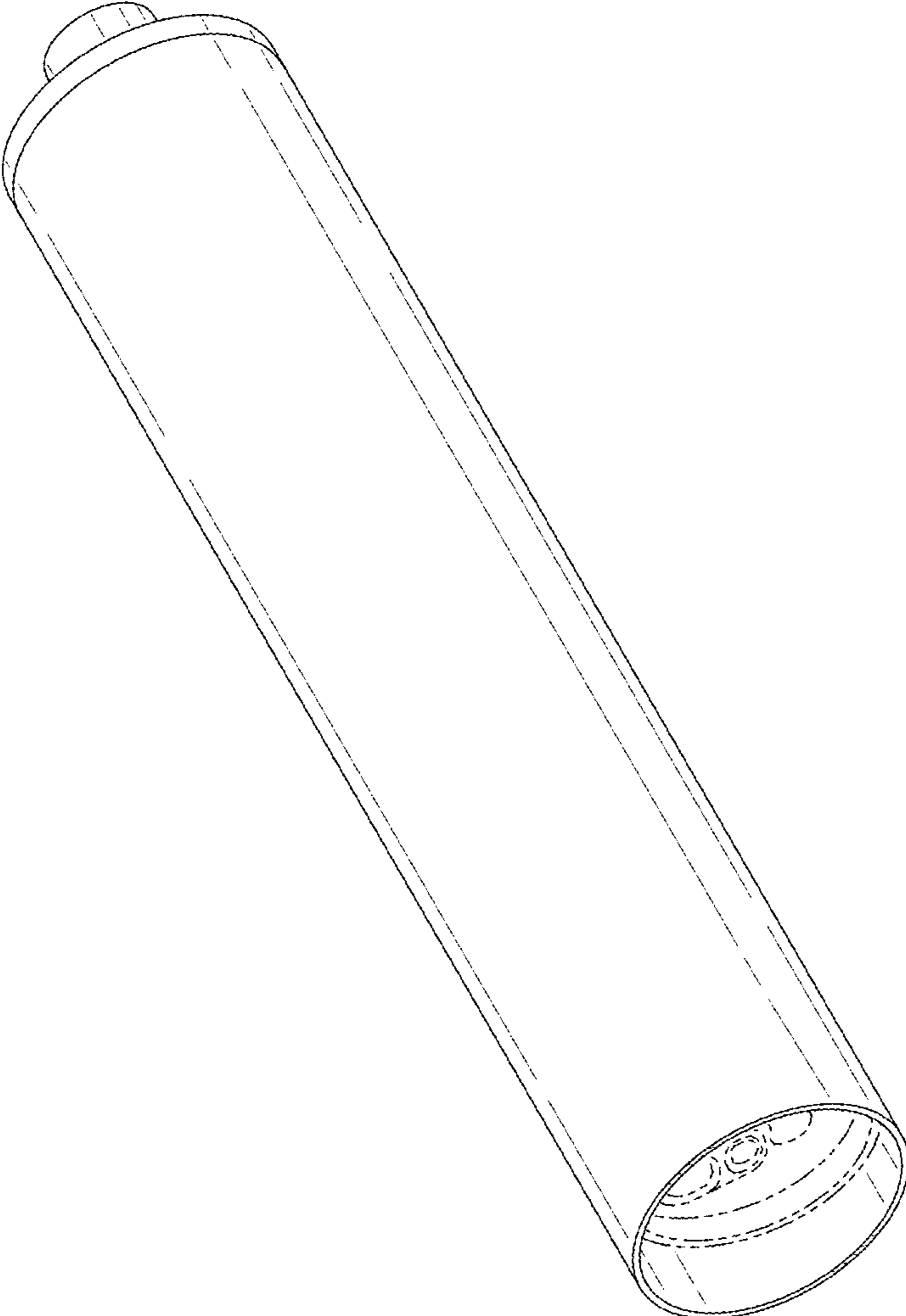


FIG. 6

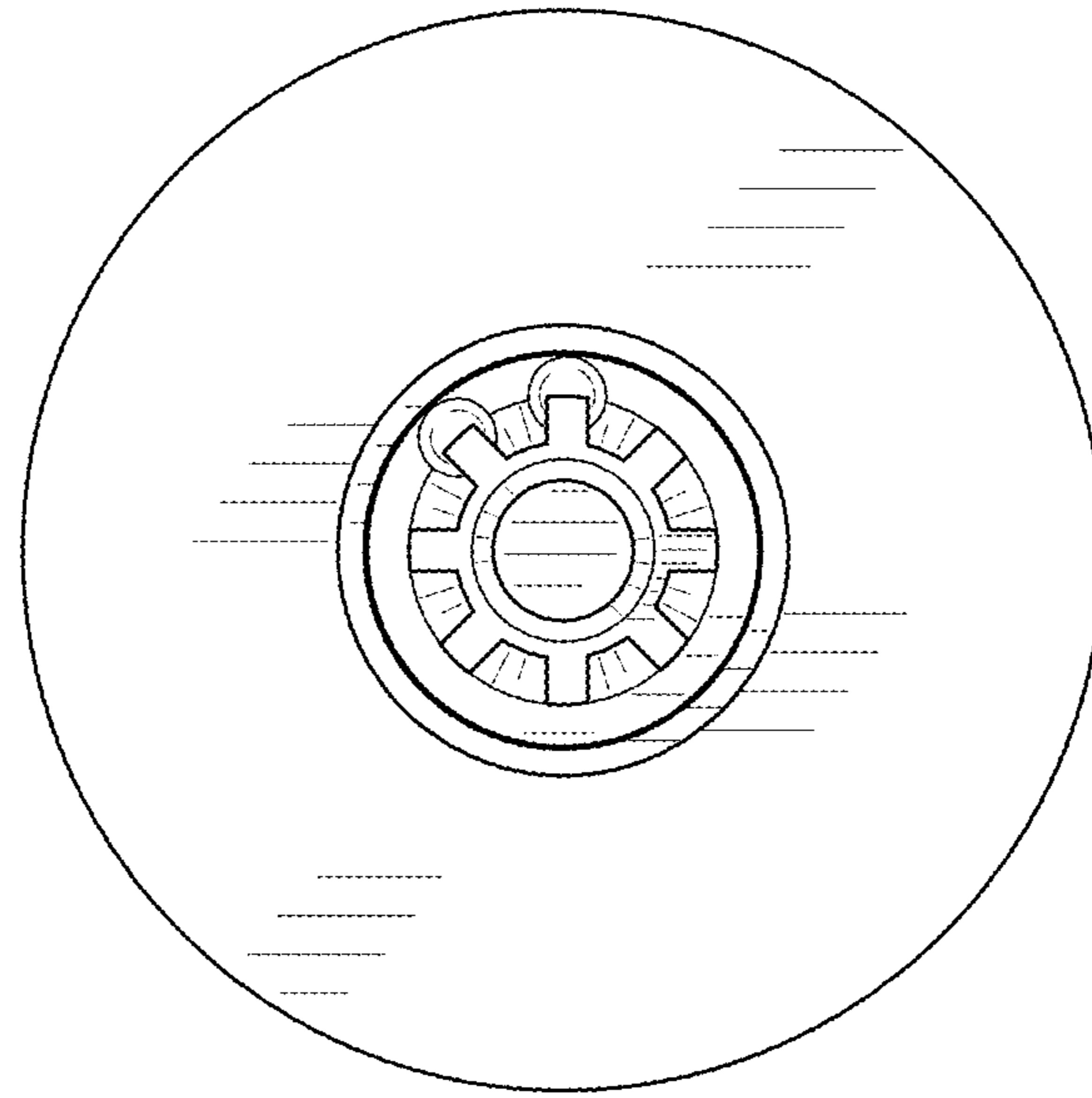


FIG. 8

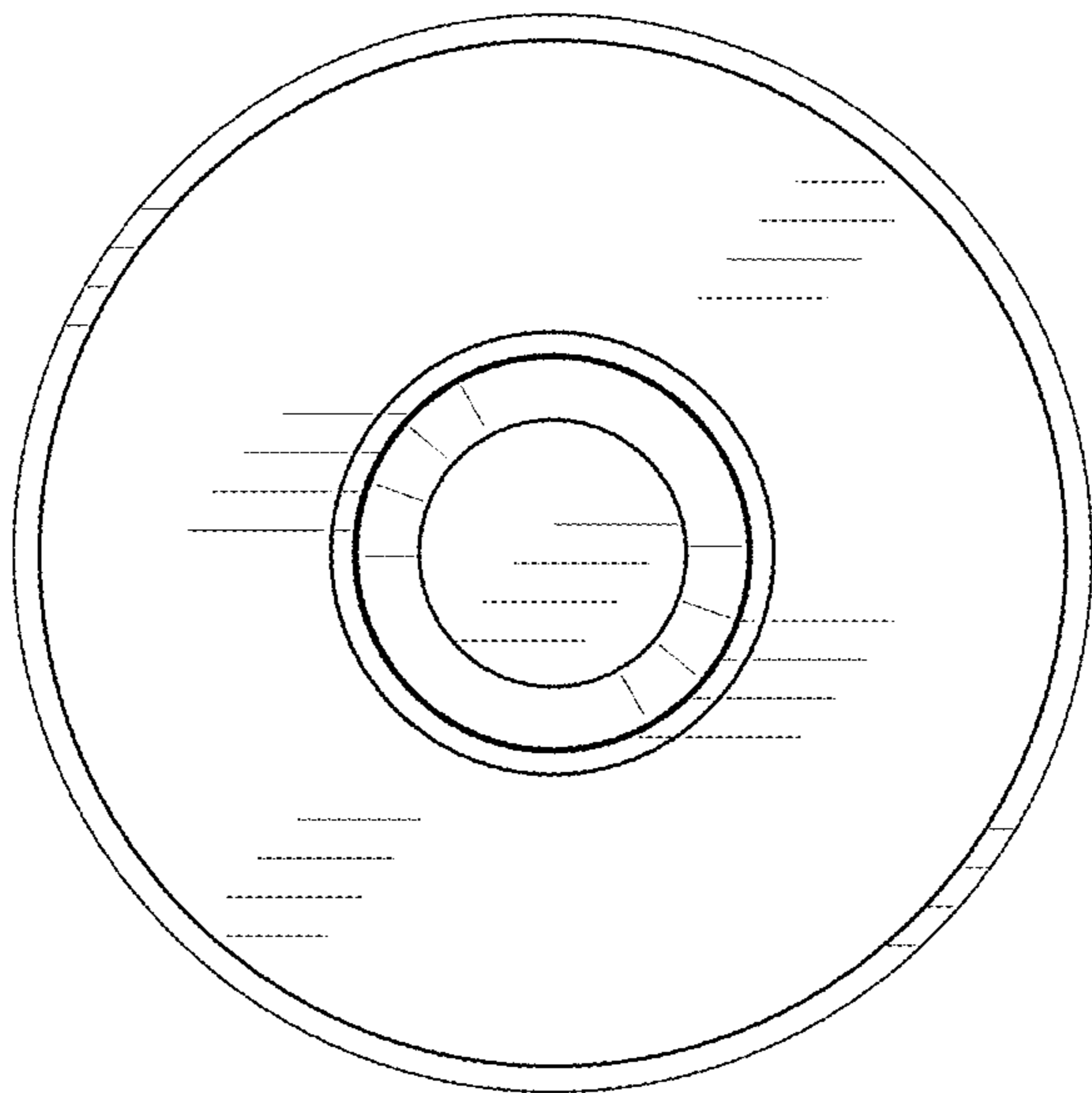


FIG. 7



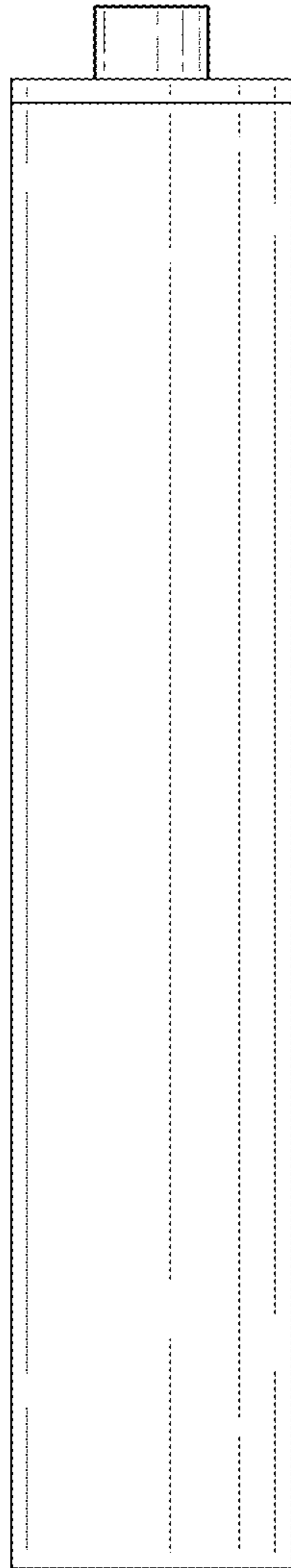


FIG. 9

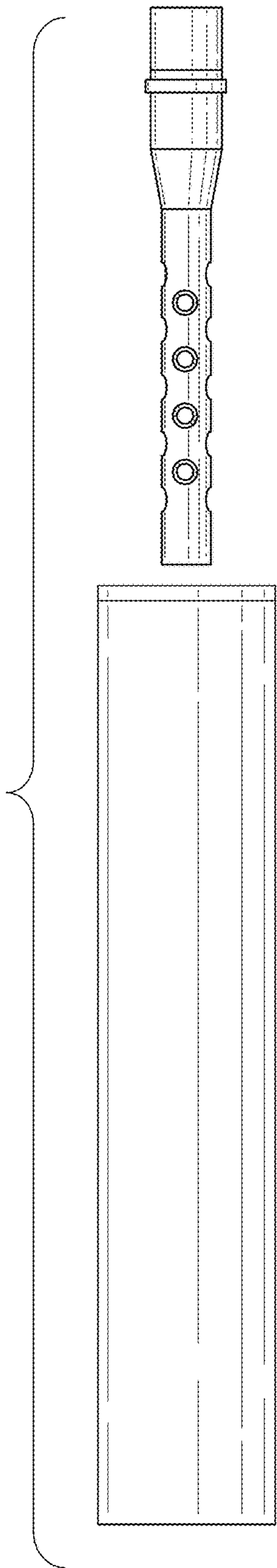


FIG. 10

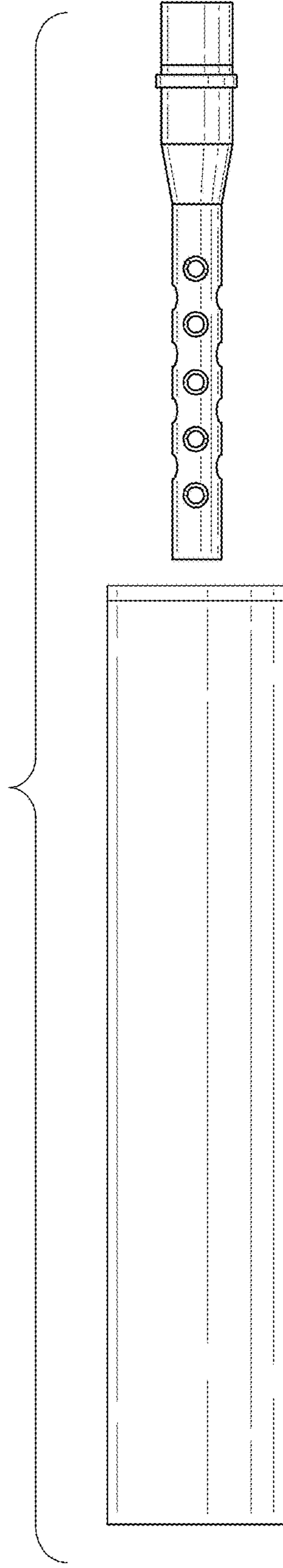


FIG. 11

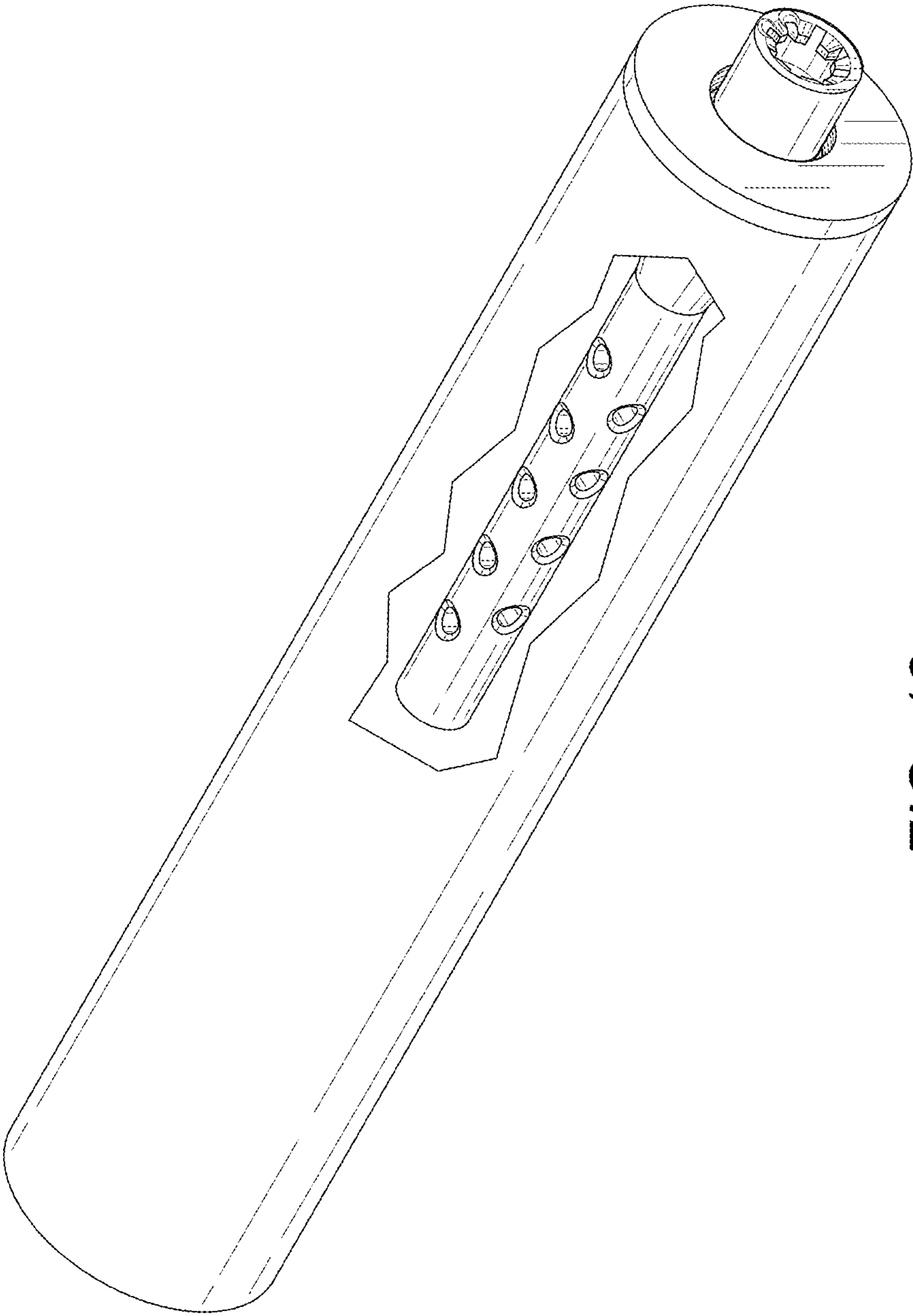


FIG. 12

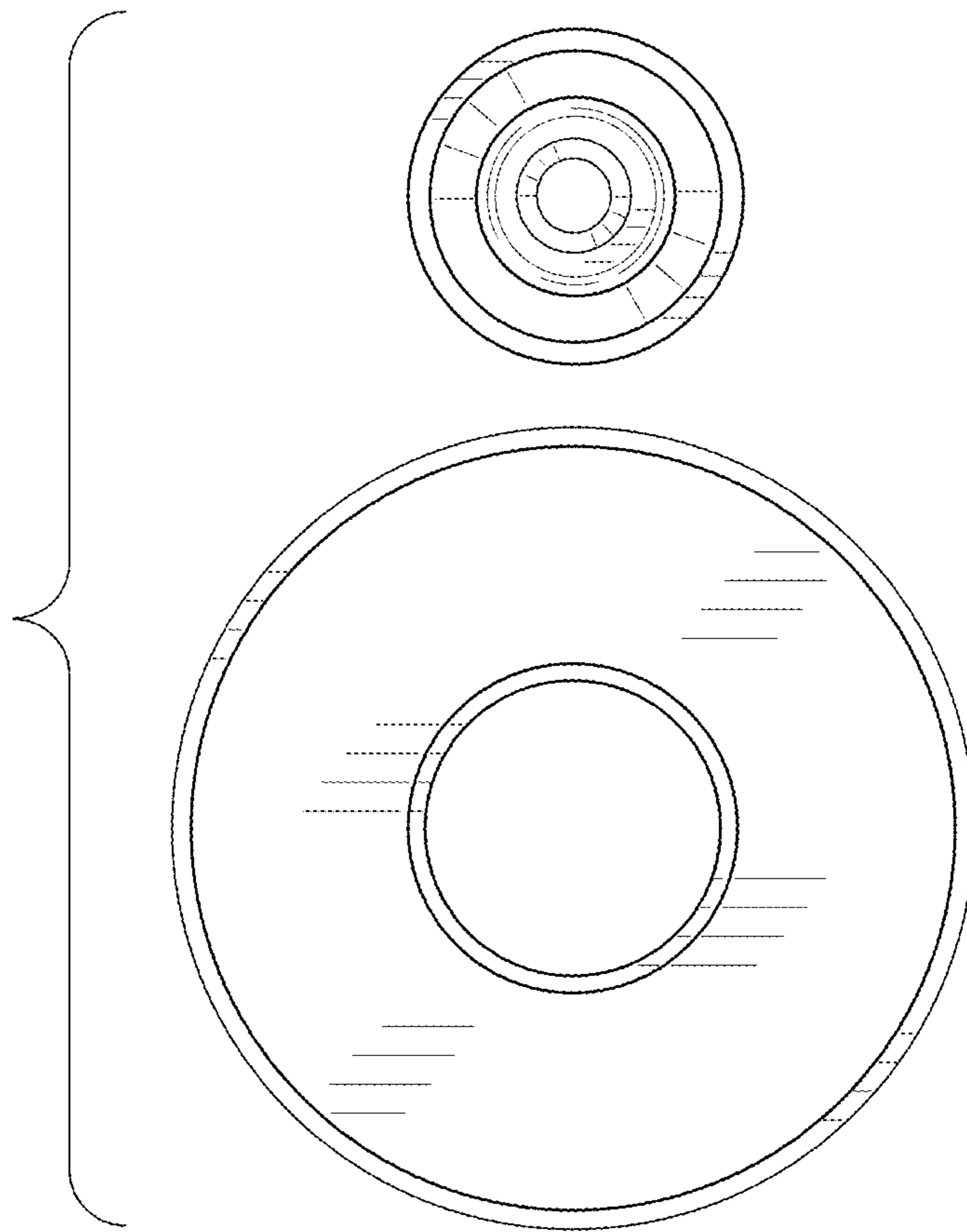


FIG. 13

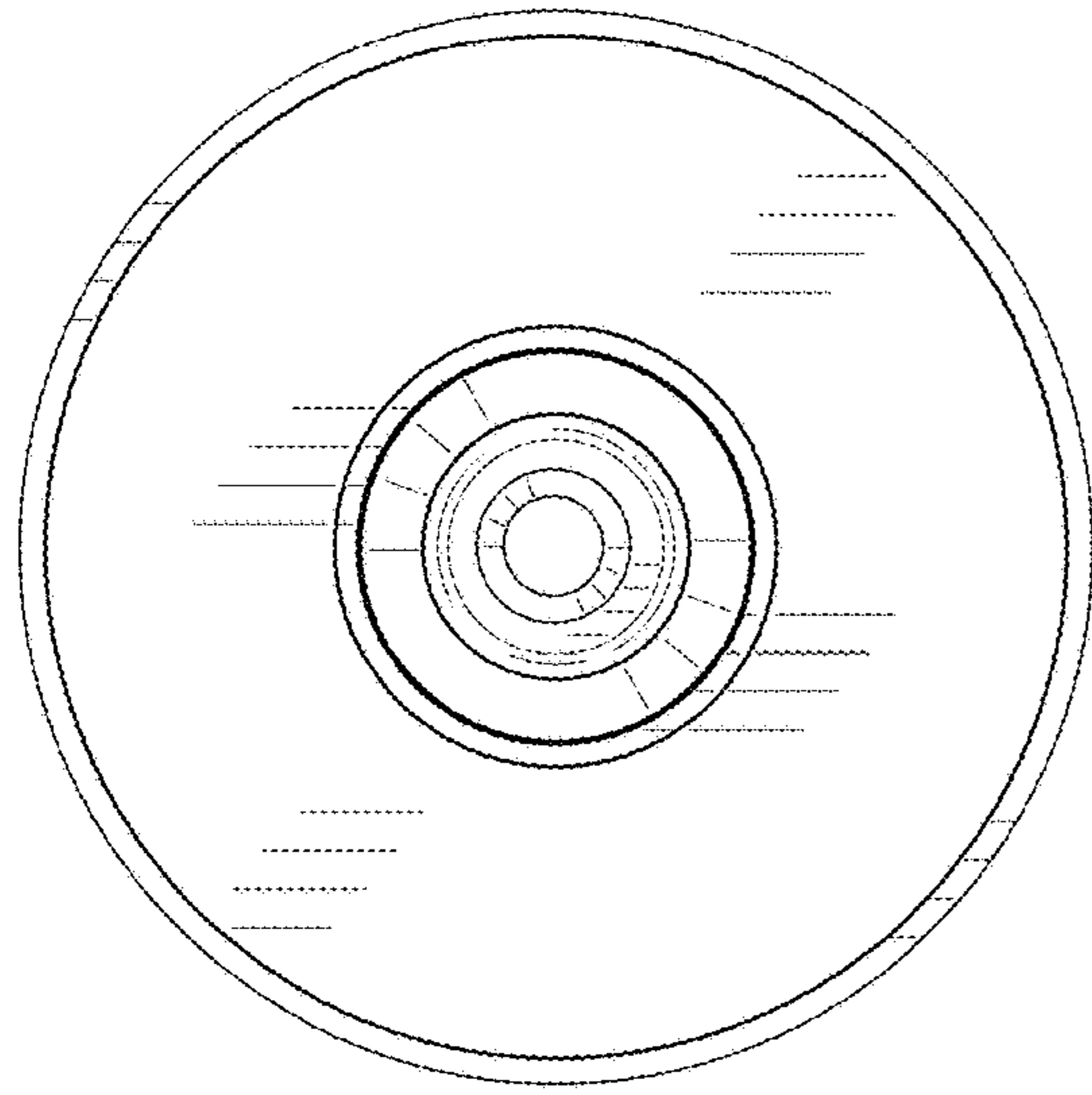


FIG. 14

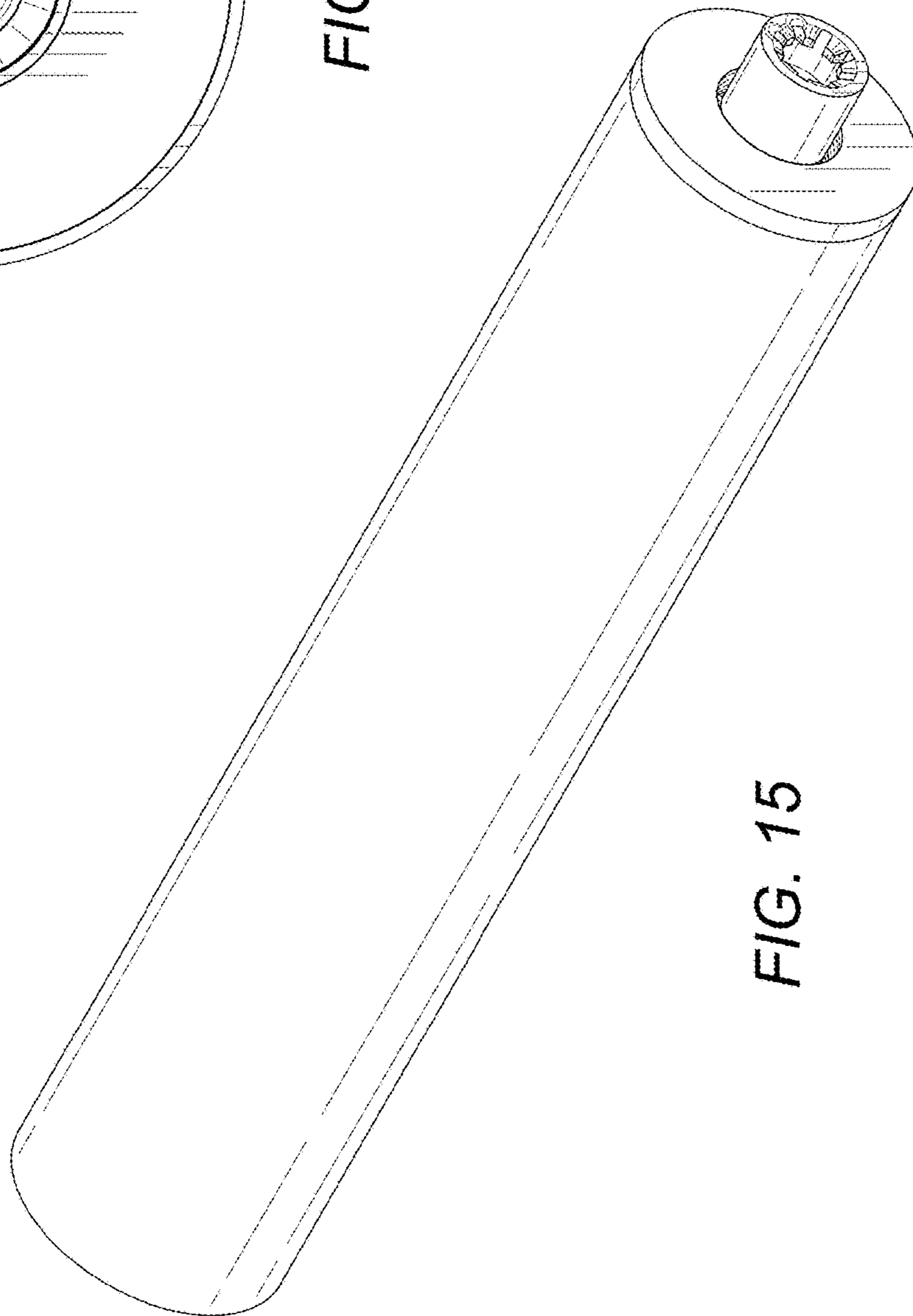


FIG. 15

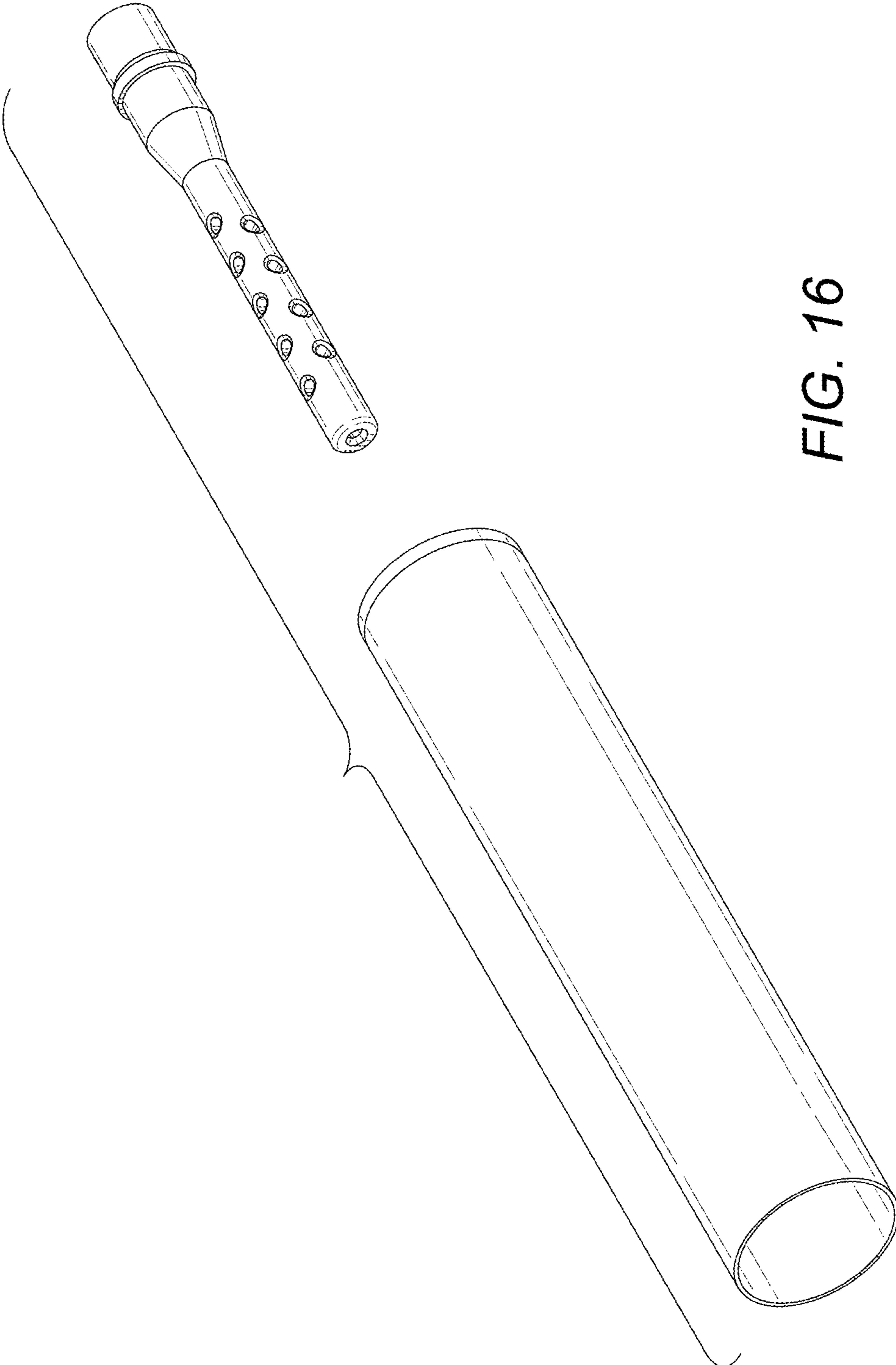


FIG. 16

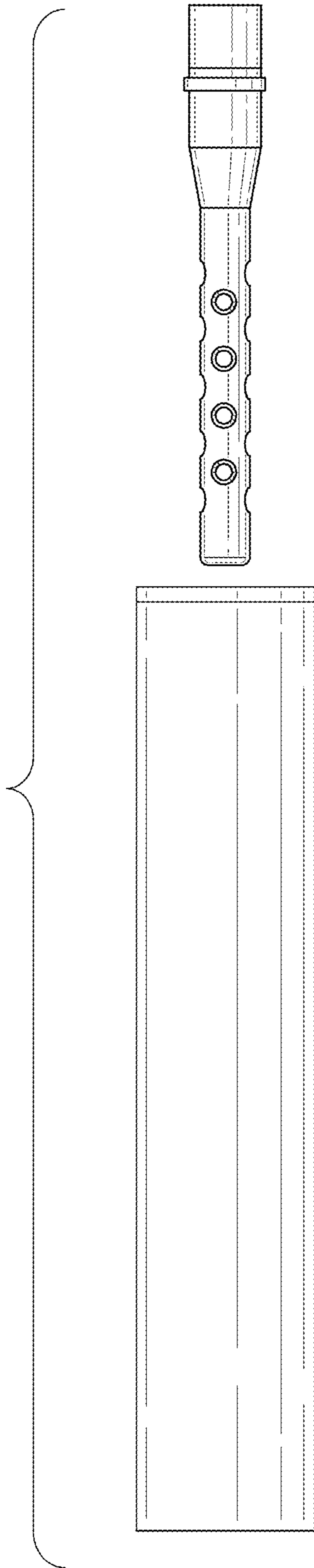


FIG. 17

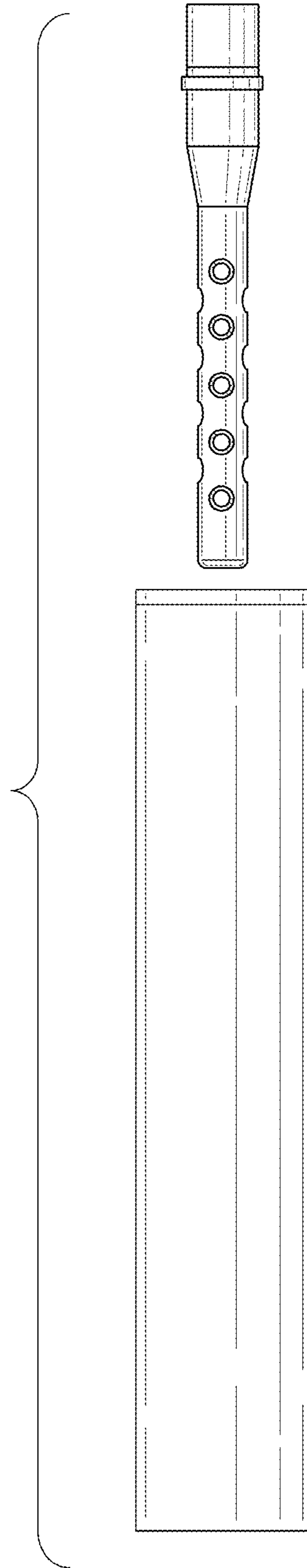


FIG. 18

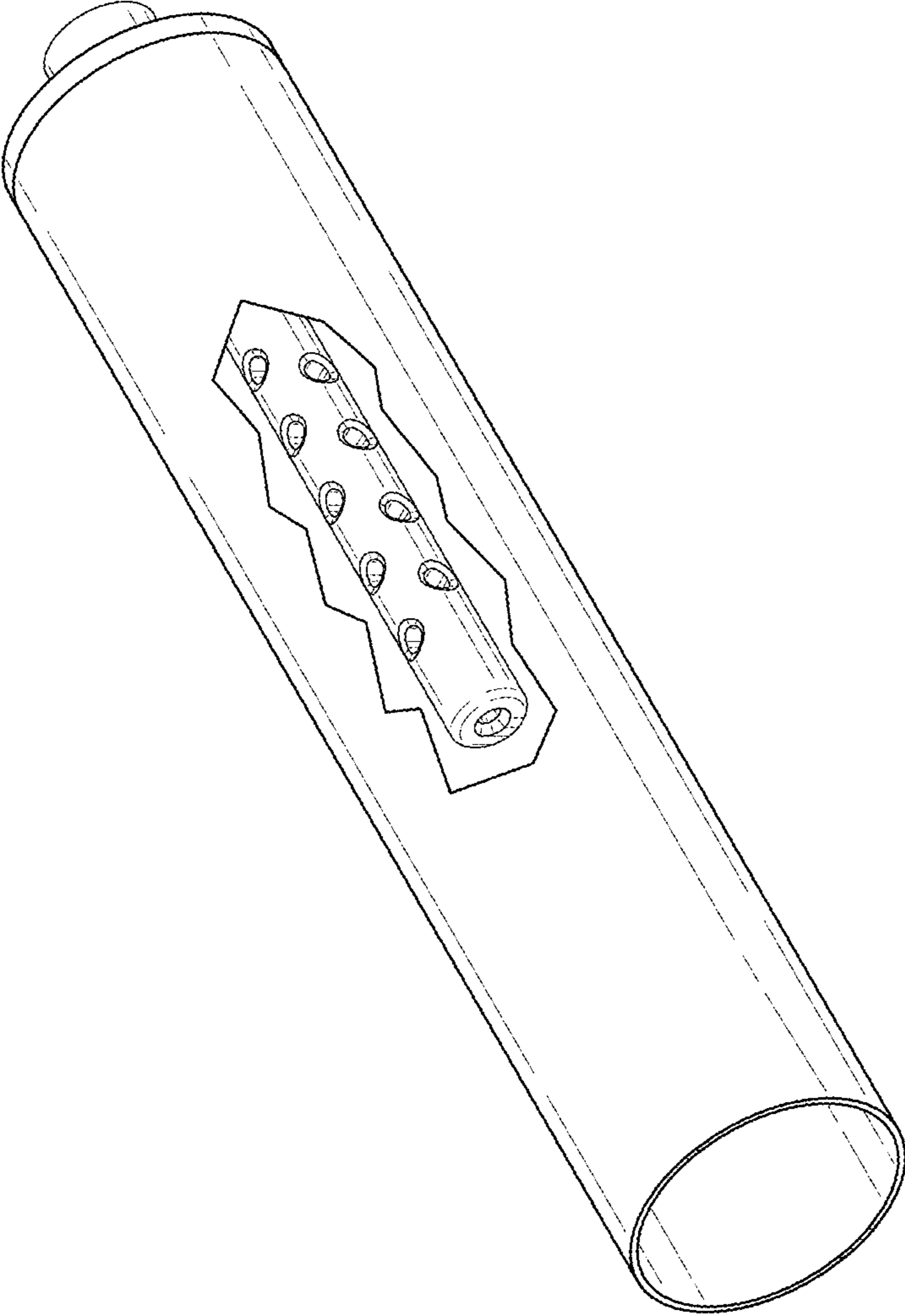


FIG. 19