



US00D790646S

(12) **United States Design Patent** (10) **Patent No.:** **US D790,646 S**  
**Wares** (45) **Date of Patent:** **\*\* Jun. 27, 2017**

- (54) **WADING POOL** 2,766,462 A \* 10/1956 Norman ..... A47K 3/06  
4/494
- (71) Applicant: **Larry Wares**, San Clemente, CA (US) D313,058 S \* 12/1990 Wehmeyer ..... D21/815
- (72) Inventor: **Larry Wares**, San Clemente, CA (US) D358,627 S \* 5/1995 Monneret ..... D21/815
- (\*\*) Term: **15 Years** D370,960 S \* 6/1996 Bookstaver ..... D21/815
- (21) Appl. No.: **29/561,320** D407,132 S \* 3/1999 Sedlmeier ..... D21/816
- (22) Filed: **Apr. 14, 2016** 6,408,454 B1 \* 6/2002 Hyde ..... E04H 4/0018  
4/506
- D554,226 S \* 10/2007 Blum ..... D21/815
- D757,875 S \* 5/2016 Wares ..... D21/815
- 2011/0131719 A1 \* 6/2011 Rudenberg ..... E04H 4/0056  
4/495

\* cited by examiner

**Related U.S. Application Data**

- (63) Continuation of application No. 29/511,256, filed on Dec. 9, 2014, now Pat. No. Des. 757,875.
- (51) **LOC (10) Cl.** ..... **21-03**
- (52) **U.S. Cl.**  
USPC ..... **D21/815**
- (58) **Field of Classification Search**  
USPC ..... D21/815, 816, 819  
CPC ..... A63G 31/007; E04H 4/00; E04H  
4/08-4/088; A63H 33/32  
See application file for complete search history.

*Primary Examiner* — Mitchell Siegel

(74) *Attorney, Agent, or Firm* — Lapple Ubell IP Law, LLP; Matthew C. Lapple

(57) **CLAIM**

The ornamental design for a wading pool, as shown and described.

**DESCRIPTION**

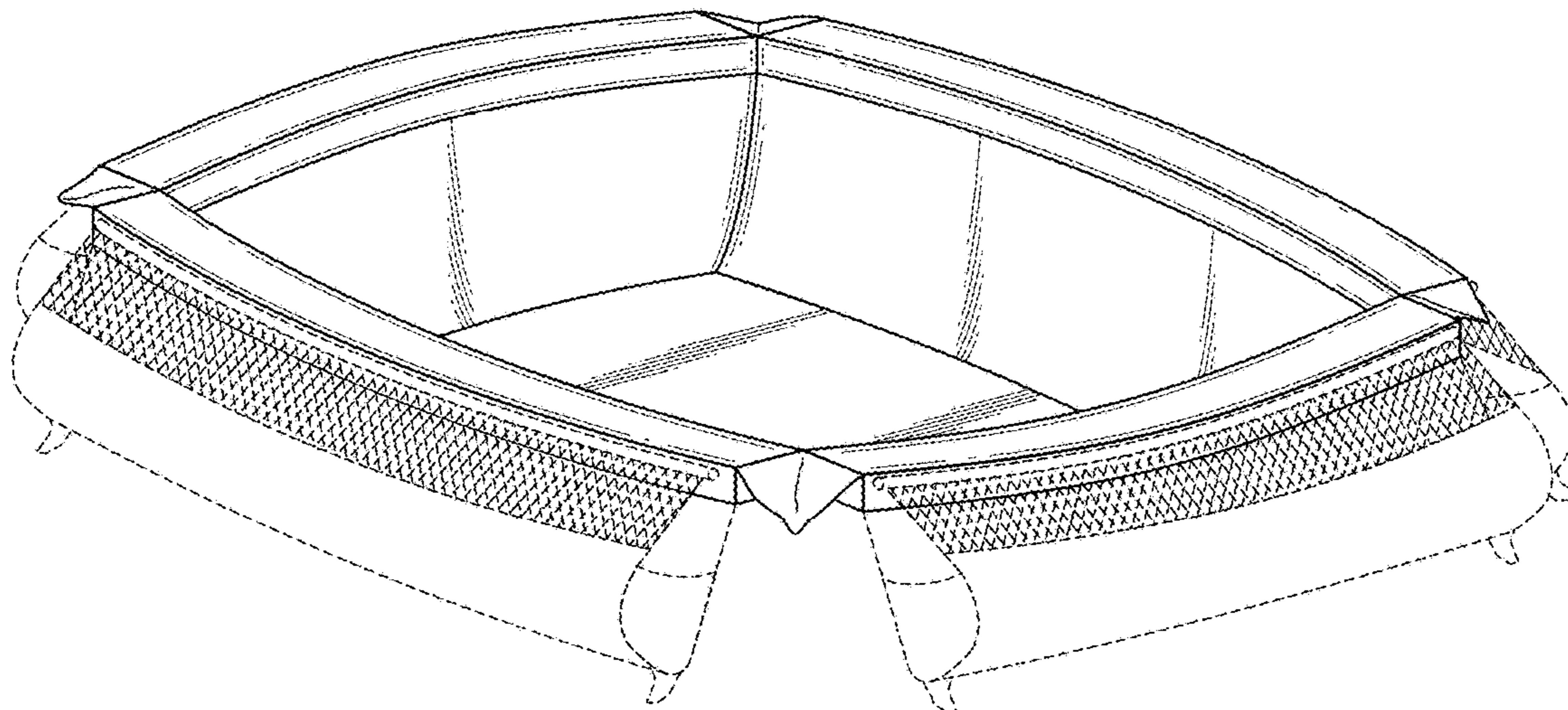
FIG. 1 is a front perspective view of a wading pool in accordance with the present invention;  
FIG. 2 is a top view thereof;  
FIG. 3 is a side view thereof along the long axis of the pool; and,  
FIG. 4 is a side view thereof along the short axis of the pool. The bottom view of the pool is not claimed. In the figures, portions shown in broken lines do not form a part of the claimed invention.

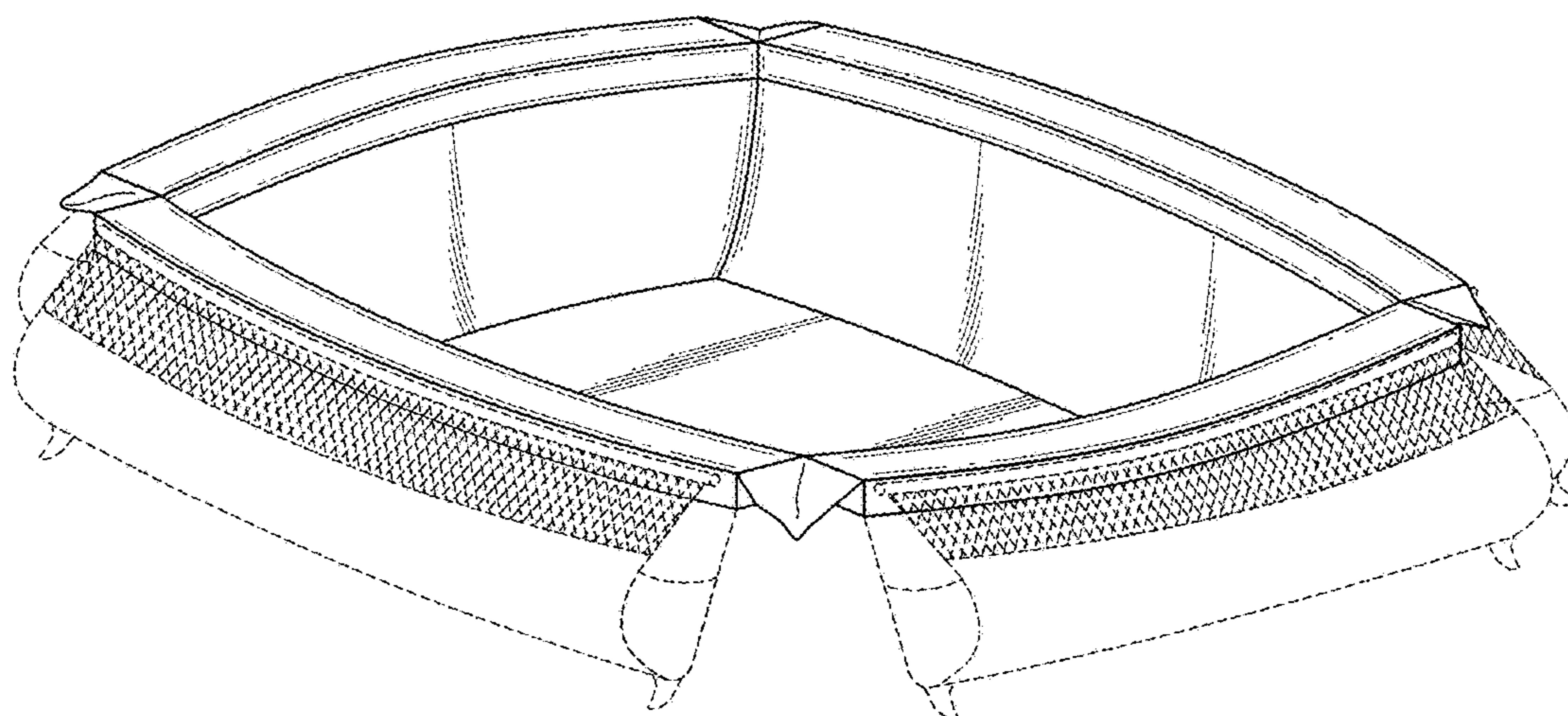
(56) **References Cited**

**U.S. PATENT DOCUMENTS**

- 1,865,810 A \* 7/1932 Albach ..... A63B 9/00  
472/126
- 2,505,845 A \* 5/1950 Alvarez ..... E04H 4/0025  
383/3
- 2,628,364 A \* 2/1953 Wallace ..... A47K 3/064  
220/9.3

**1 Claim, 2 Drawing Sheets**





**FIG. 1**

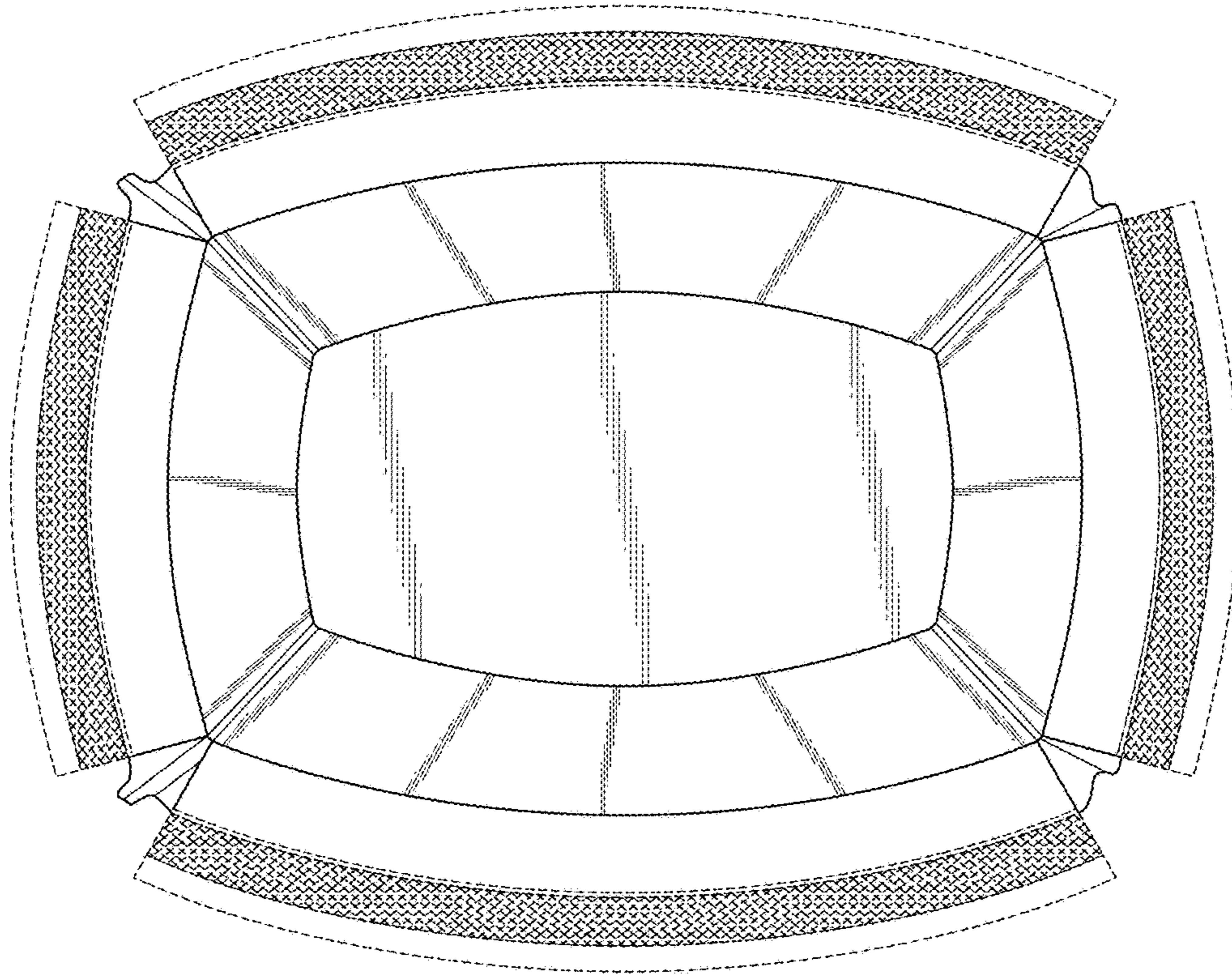


FIG. 2

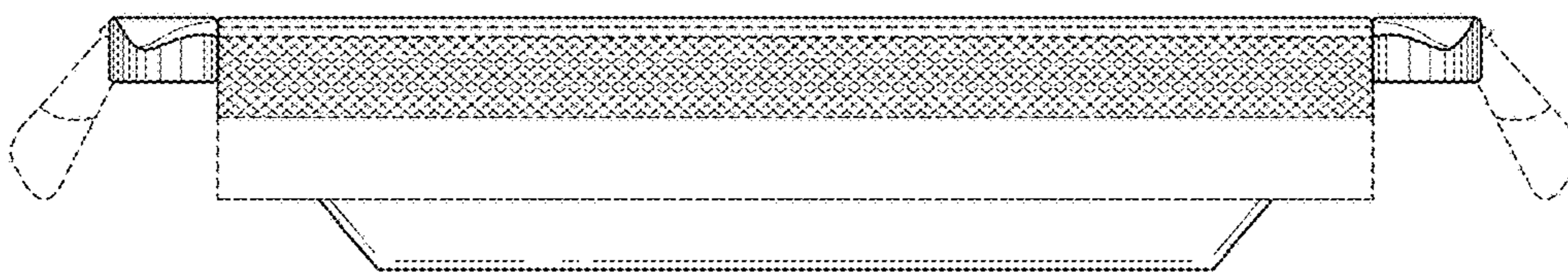


FIG. 3

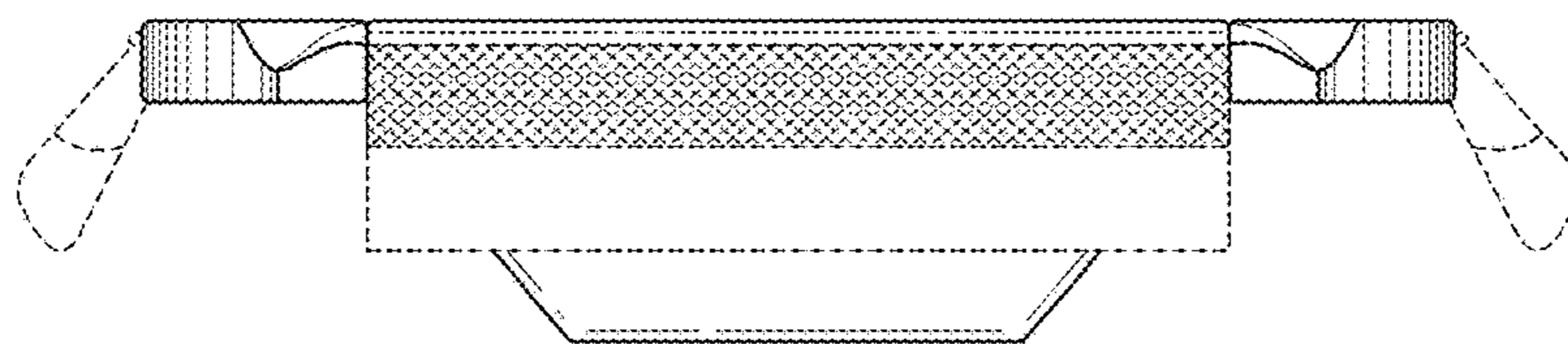


FIG. 4