



US00D790643S

(12) **United States Design Patent** (10) **Patent No.:** **US D790,643 S**
Harris et al. (45) **Date of Patent:** **** Jun. 27, 2017**

(54) **GOLF CLUB HEADCOVER**
(71) Applicant: **CALLAWAY GOLF COMPANY,**
Carlsbad, CA (US)
(72) Inventors: **Corinne M. Harris,** Oceanside, CA
(US); **Christian D. Maki,** San Diego,
CA (US)
(73) Assignee: **Callaway Golf Company,** Carlsbad,
CA (US)

D585,512 S * 1/2009 Quartarone, III D21/754
D590,901 S * 4/2009 Chen D21/754
D617,404 S * 6/2010 McGuire D21/754
D617,862 S * 6/2010 McGuire D21/754
D631,113 S * 1/2011 Chen D21/754
D631,114 S * 1/2011 Chen D21/754
D634,802 S * 3/2011 Chen D21/754
D635,210 S * 3/2011 Chen D21/754
D639,365 S * 6/2011 Chen D21/754
D647,154 S * 10/2011 Low D21/754
D656,571 S * 3/2012 Low D21/754
D659,783 S * 5/2012 Serrano D21/754
8,844,588 B2 * 9/2014 Low A63B 55/007
15/113

(**) Term: **15 Years**

* cited by examiner

(21) Appl. No.: **29/565,114**

Primary Examiner — Mitchell Siegel

(22) Filed: **May 18, 2016**

(74) *Attorney, Agent, or Firm* — Rebecca Hanovice;
Michael Catania; Sonia Lari

(51) **LOC (10) Cl.** **21-02**

(52) **U.S. Cl.**
USPC **D21/754**

(58) **Field of Classification Search**
USPC D21/754
CPC A63B 60/62
See application file for complete search history.

(57) **CLAIM**

The ornamental design for a golf club headcover, as shown and described.

DESCRIPTION

FIG. 1 is a front perspective view of the golf club headcover as claimed herein;

FIG. 2 is a front elevational view thereof;

FIG. 3 is a rear elevational view thereof;

FIG. 4 is a left side elevational view thereof;

FIG. 5 is a right side elevational view thereof;

FIG. 6 is a top plan view thereof; and,

FIG. 7 is a bottom plan view thereof.

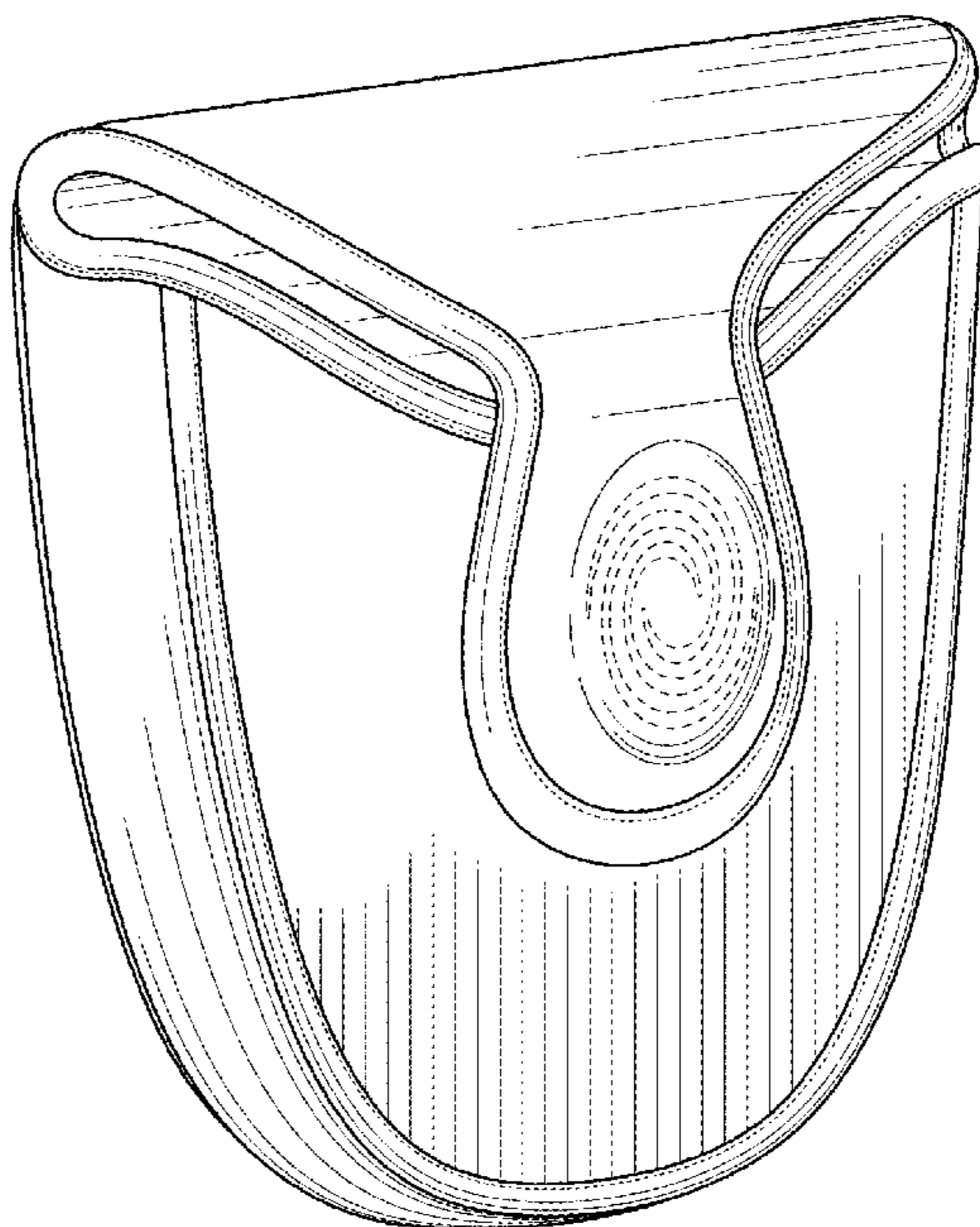
The broken lines are included for the purpose of illustration only and form no part of the claimed design.

(56) **References Cited**

U.S. PATENT DOCUMENTS

D484,210 S * 12/2003 Oldknow D21/754
D508,101 S * 8/2005 Chen D21/754
D527,435 S * 8/2006 Chen D21/754
D527,779 S * 9/2006 Chen D21/754
D529,113 S * 9/2006 Chen D21/754
D549,294 S * 8/2007 Cameron D21/754
D561,858 S * 2/2008 Chen D21/754
D576,238 S * 9/2008 Chen D21/754
D576,239 S * 9/2008 Chen D21/754

1 Claim, 5 Drawing Sheets



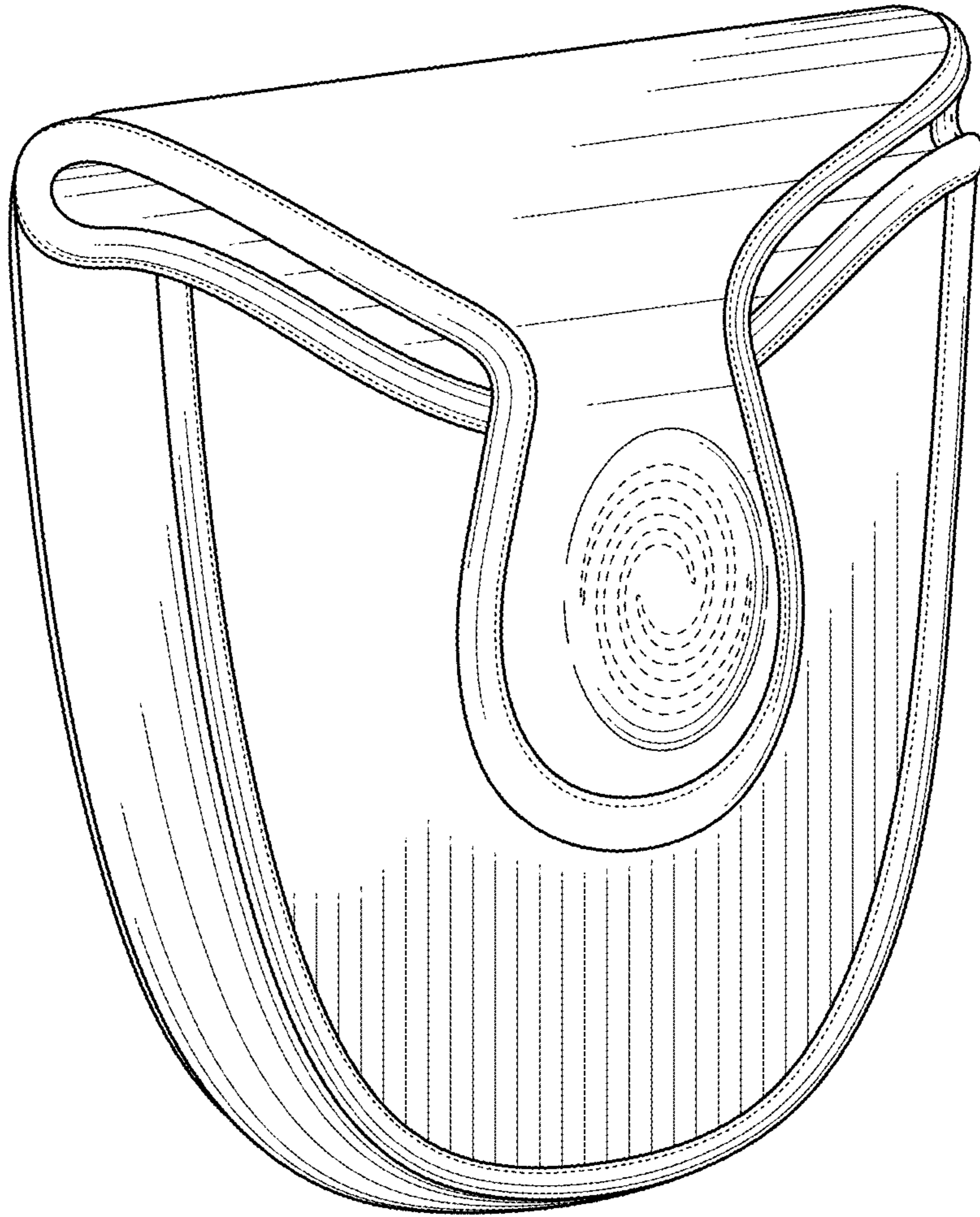


FIG. 1

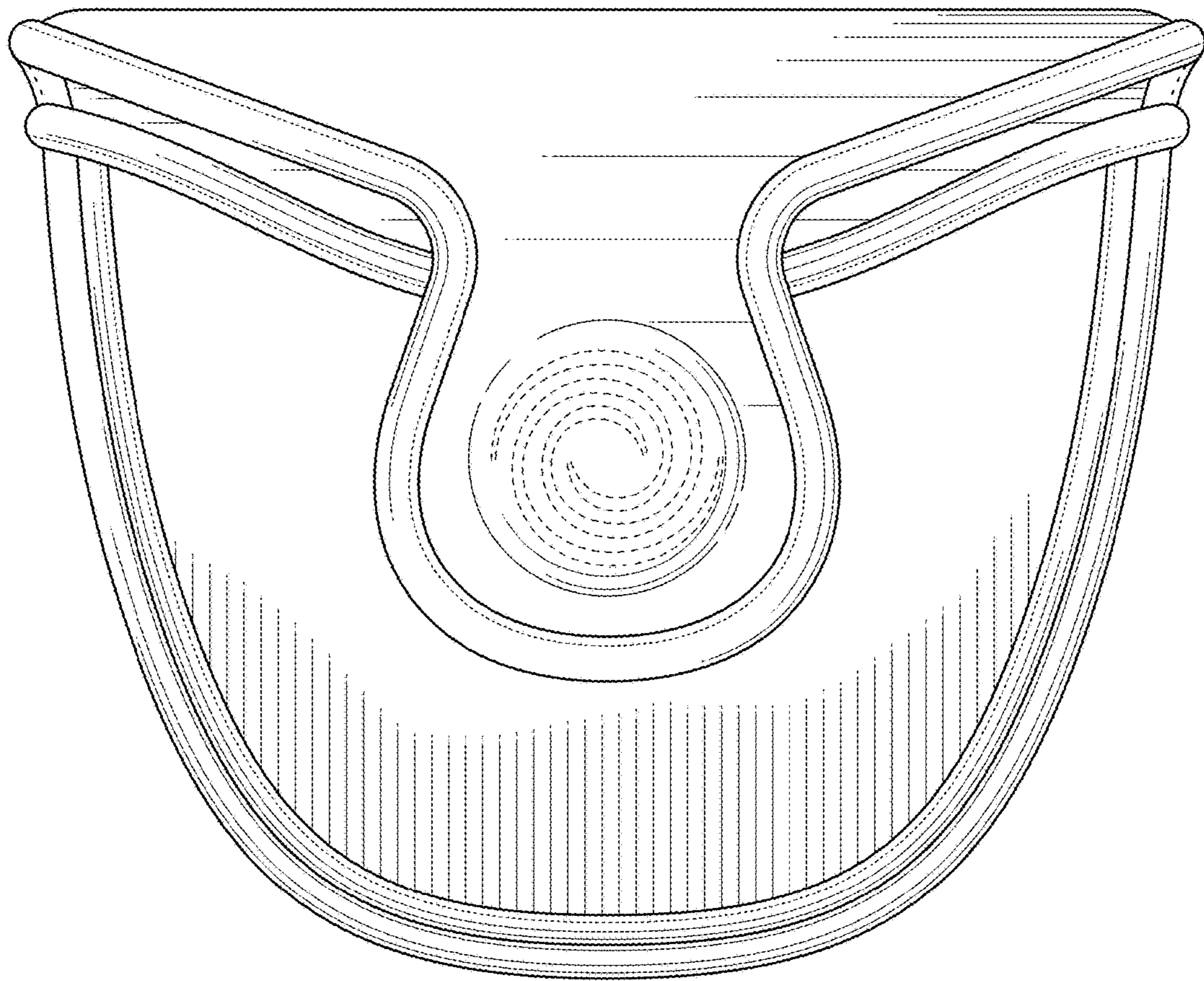


FIG. 2

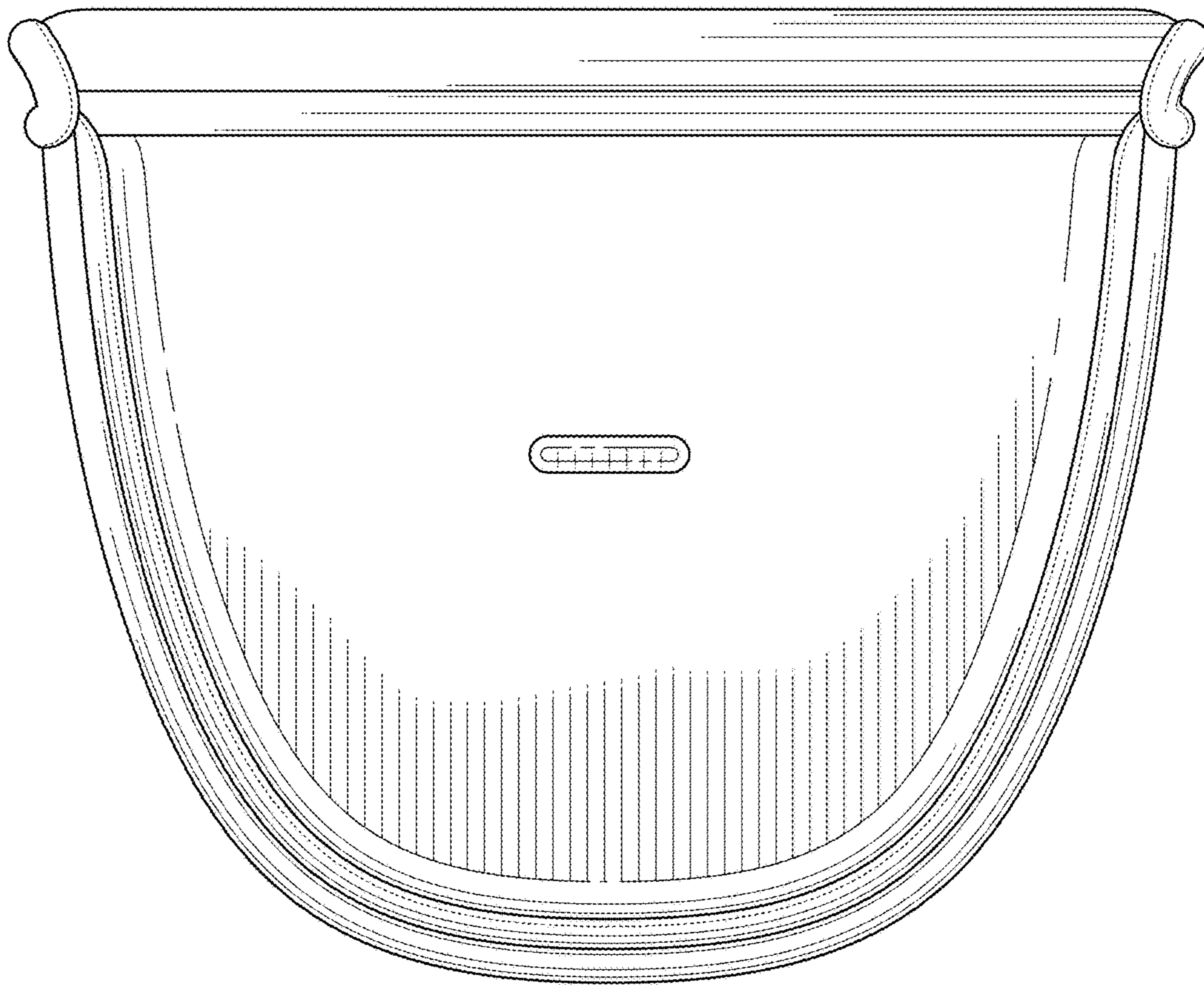


FIG. 3

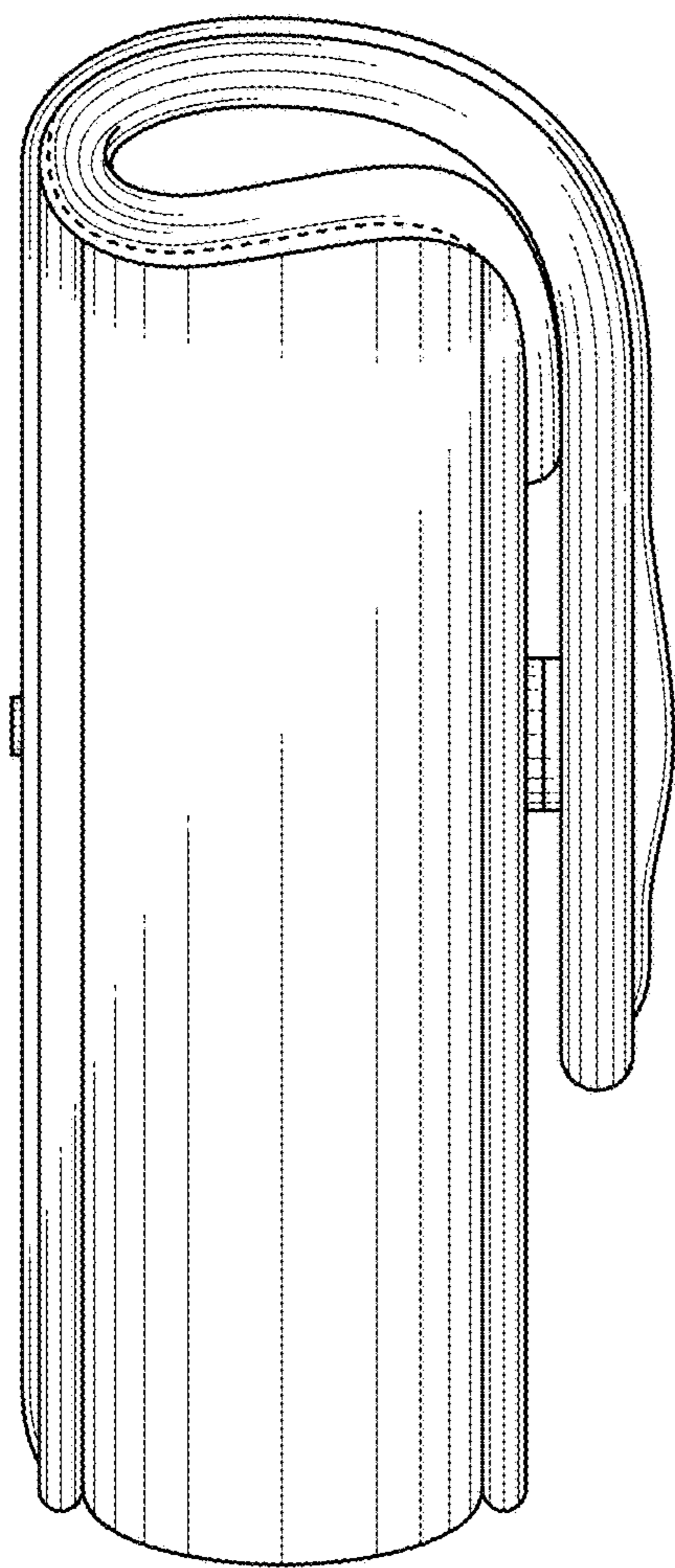


FIG. 4

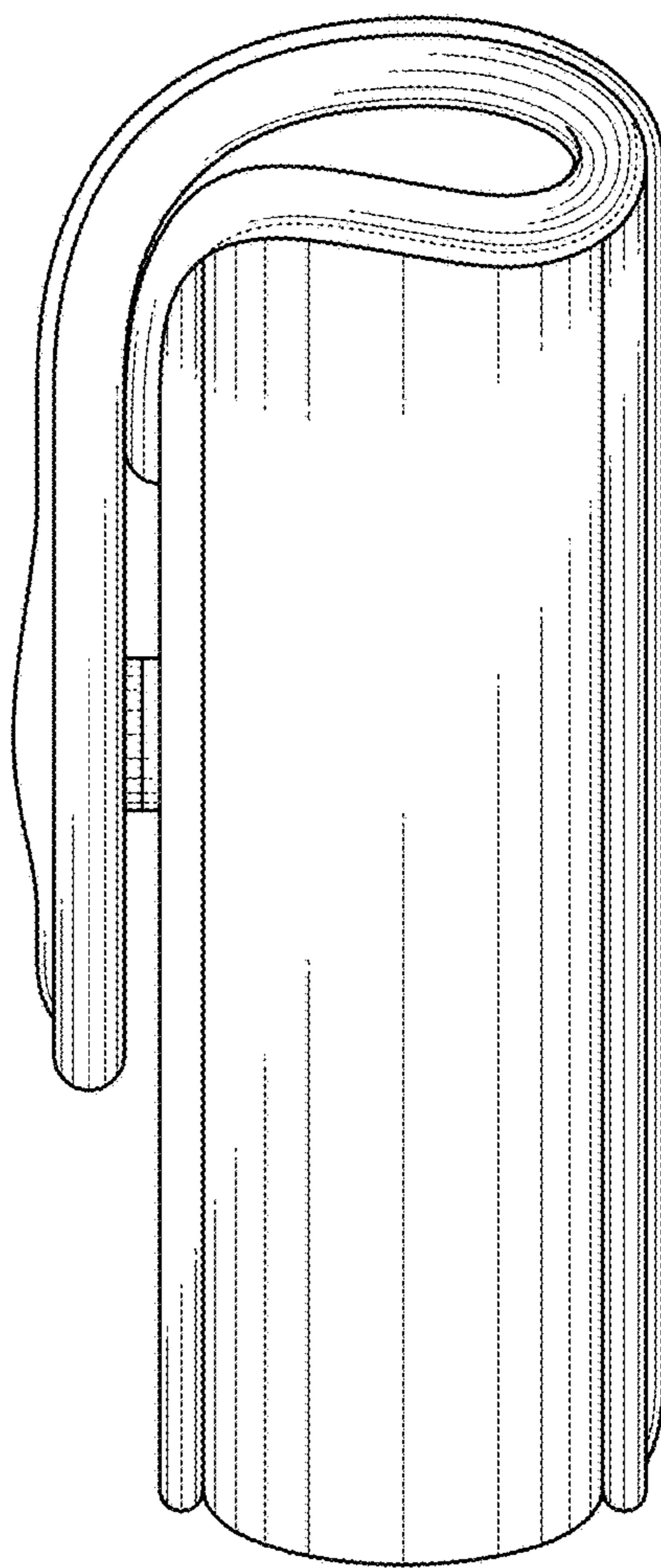


FIG. 5

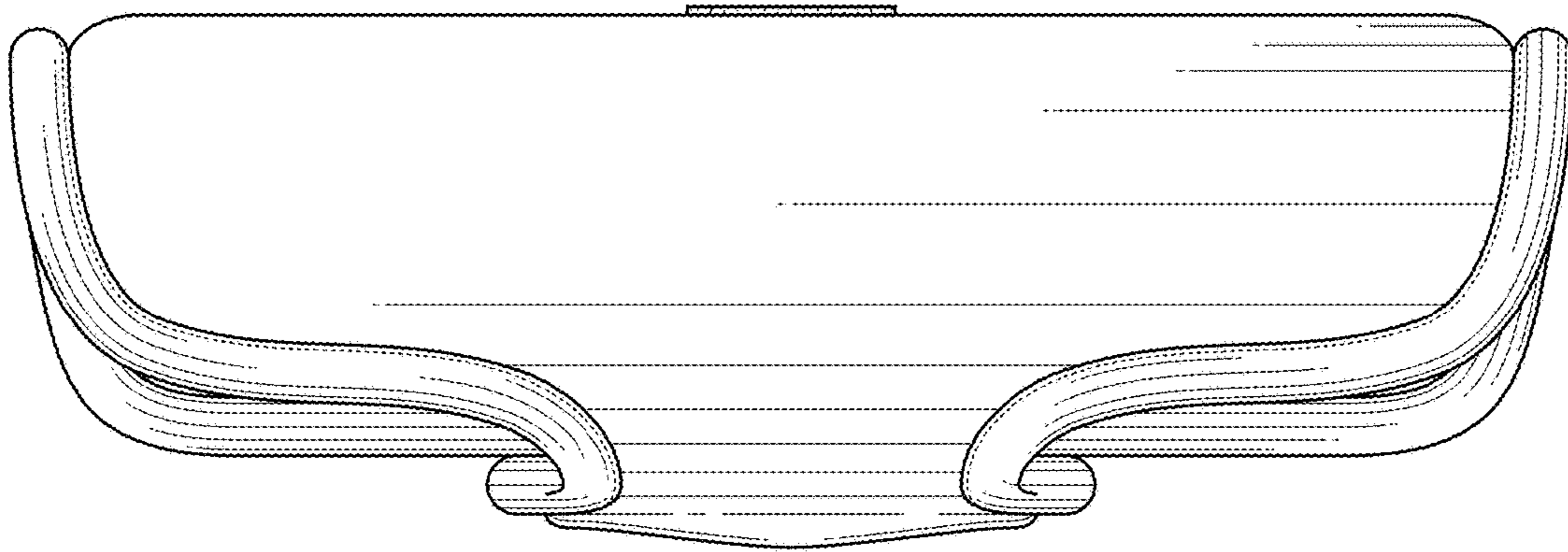


FIG. 6

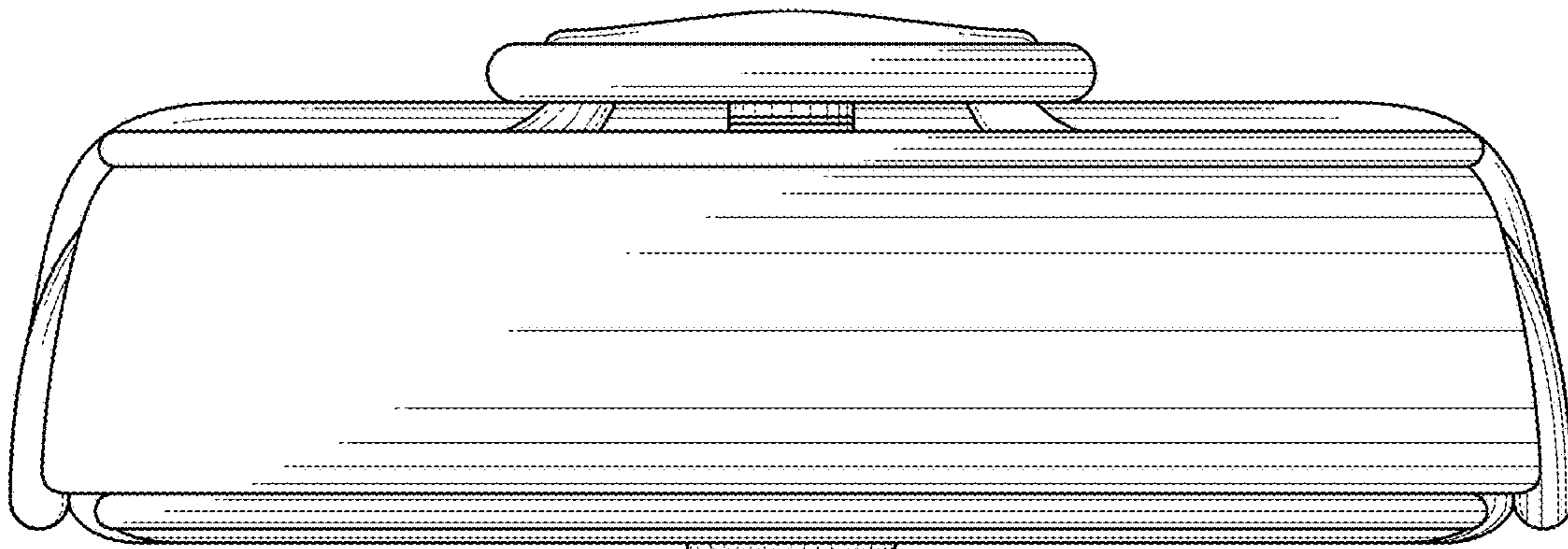


FIG. 7