



US00D790642S

(12) **United States Design Patent**  
**Harris et al.**

(10) **Patent No.:** **US D790,642 S**  
(45) **Date of Patent:** **\*\* Jun. 27, 2017**

- (54) **GOLF CLUB HEADCOVER**
- (71) Applicant: **CALLAWAY GOLF COMPANY**,  
Carlsbad, CA (US)
- (72) Inventors: **Corinne M. Harris**, Oceanside, CA  
(US); **Christian D. Maki**, San Diego,  
CA (US)
- (73) Assignee: **Callaway Golf Company**, Carlsbad,  
CA (US)
- (\*\*) Term: **15 Years**
- (21) Appl. No.: **29/564,771**
- (22) Filed: **May 16, 2016**
- (51) **LOC (10) Cl.** ..... **21-02**
- (52) **U.S. Cl.**  
USPC ..... **D21/754**
- (58) **Field of Classification Search**  
USPC ..... D21/754  
CPC ..... A63B 60/62  
See application file for complete search history.

D590,464 S *	4/2009	Chen	.....	D21/754
D598,511 S *	8/2009	Bettinardi	.....	D21/754
7,597,126 B2 *	10/2009	Chen	.....	A63B 60/62
				150/160
D617,405 S *	6/2010	McGuire	.....	D21/754
D631,115 S *	1/2011	Chen	.....	D21/754
D634,382 S *	3/2011	Chen	.....	D21/754
D635,209 S *	3/2011	Chen	.....	D21/754
D692,975 S *	11/2013	Cameron	.....	D21/754
8,905,094 B2 *	12/2014	Gaffney	.....	A63B 55/007
				150/154
D771,211 S *	11/2016	Low	.....	D21/754
2009/0188593 A1 *	7/2009	Cameron	.....	A63B 60/62
				150/160

\* cited by examiner

*Primary Examiner* — Mitchell Siegel  
(74) *Attorney, Agent, or Firm* — Rebecca Hanovice;  
Michael Catania; Sonia Lari

(57) **CLAIM**

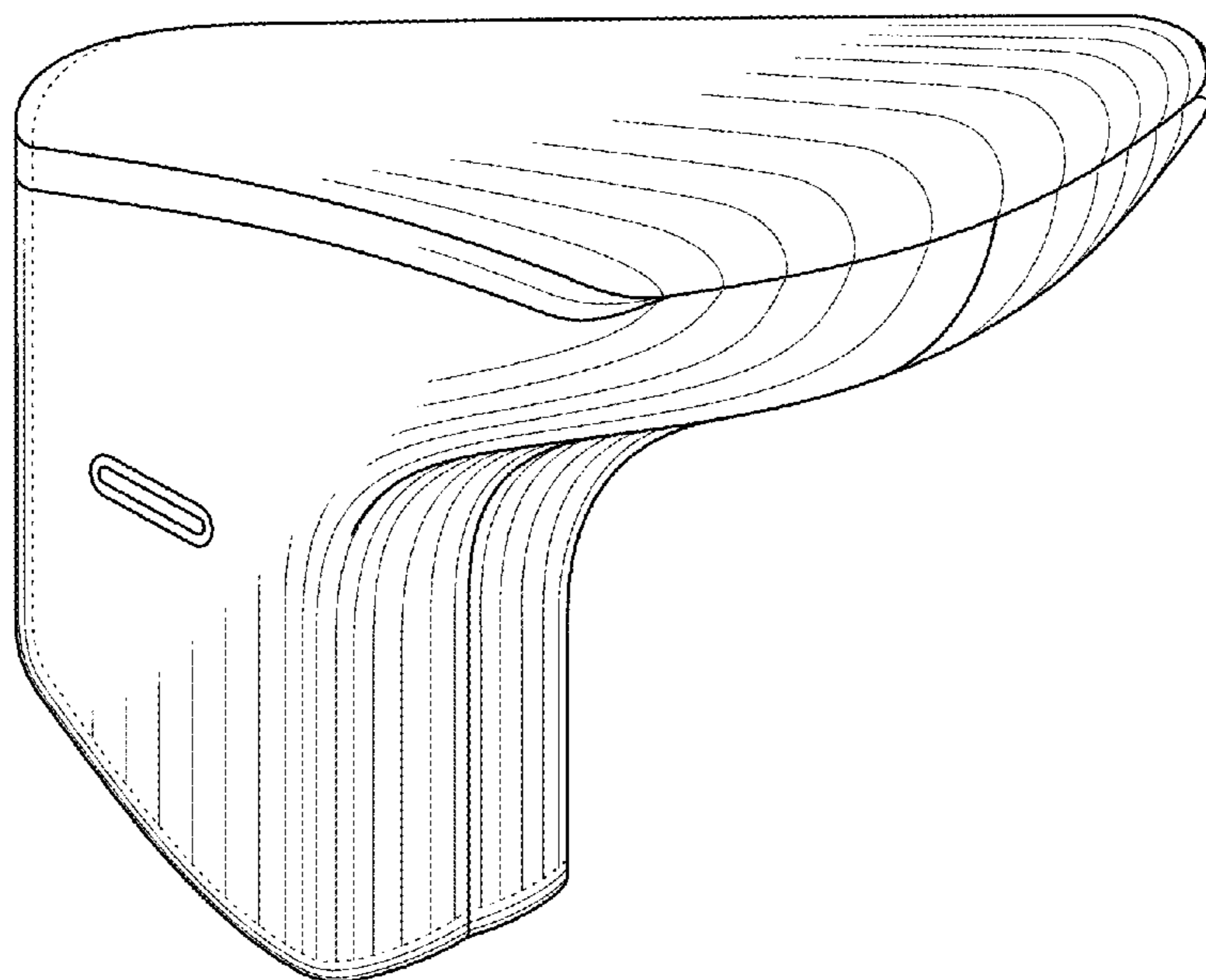
The ornamental design for a golf club headcover, as shown and described.

**DESCRIPTION**

FIG. 1 is a front perspective view of the golf club headcover as claimed herein;  
FIG. 2 is a front elevational view thereof;  
FIG. 3 is a rear elevational view thereof;  
FIG. 4 is a left side elevational view thereof;  
FIG. 5 is a right side elevational view thereof;  
FIG. 6 is a top plan view thereof; and,  
FIG. 7 is a bottom plan view thereof.  
The broken lines are included for the purpose of illustration only and form no part of the claimed design.

**1 Claim, 4 Drawing Sheets**

- (56) **References Cited**  
U.S. PATENT DOCUMENTS
- 4,898,222 A \* 2/1990 Gaffney ..... A63B 60/62  
150/160
- D444,525 S \* 7/2001 Bernath ..... D21/754
- D469,835 S \* 2/2003 Bradshaw ..... D21/754
- 6,546,981 B2 \* 4/2003 Cameron ..... A63B 60/62  
150/160
- D535,344 S \* 1/2007 Chen ..... D21/754
- D565,682 S \* 4/2008 Chen ..... D21/754
- D576,697 S \* 9/2008 Chen ..... D21/754
- D585,102 S \* 1/2009 Chen ..... D21/754



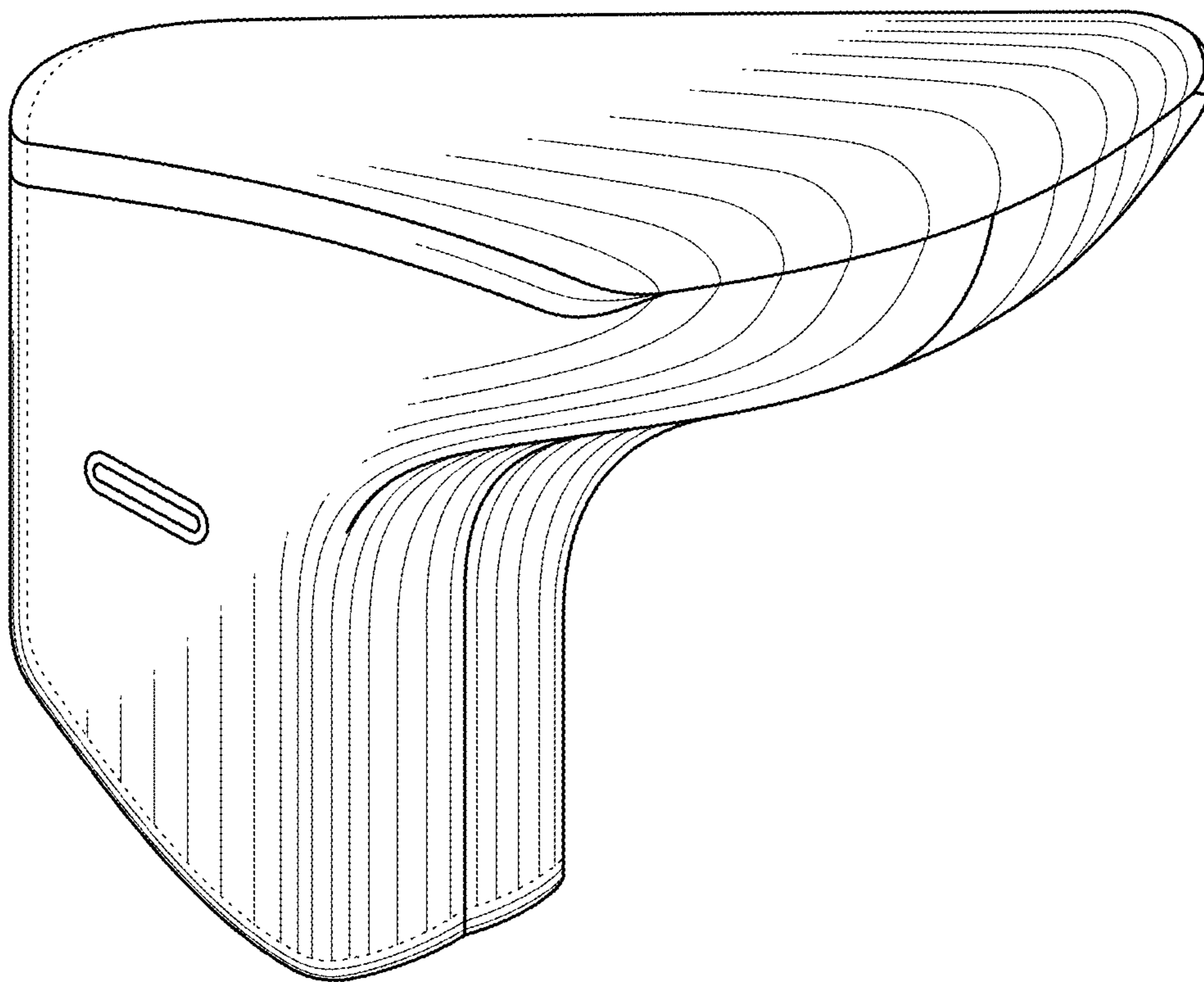


FIG. 1

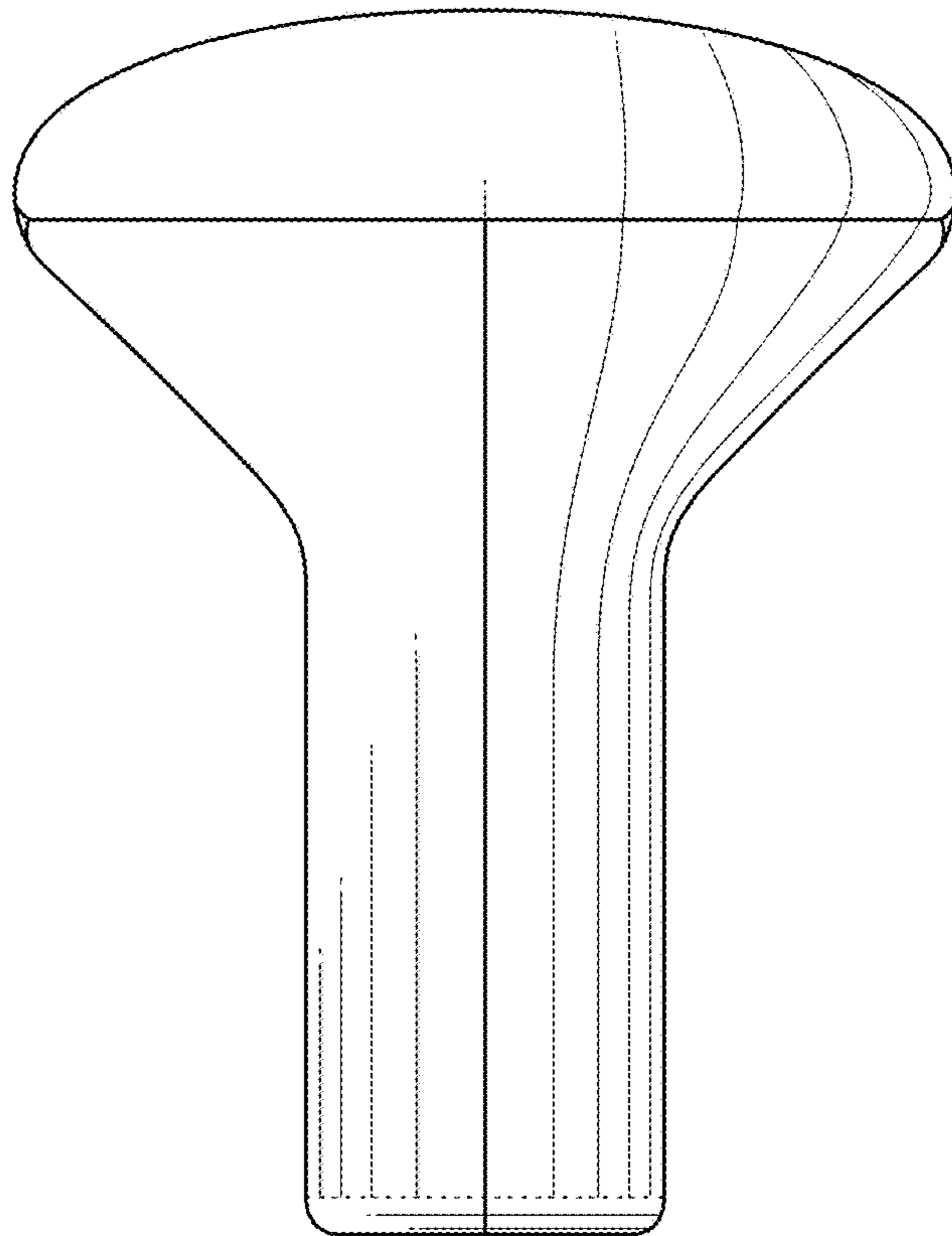


FIG. 2

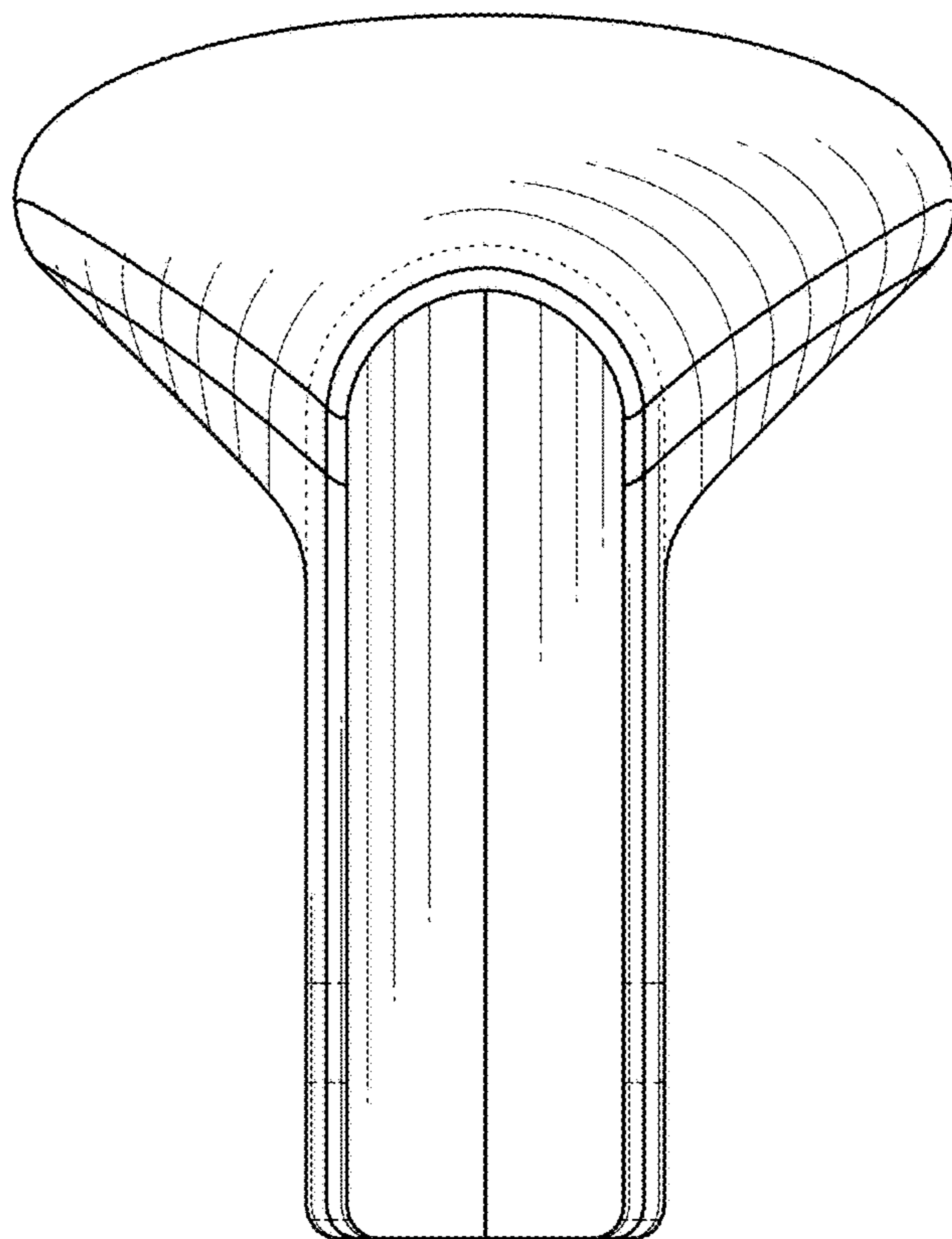


FIG. 3

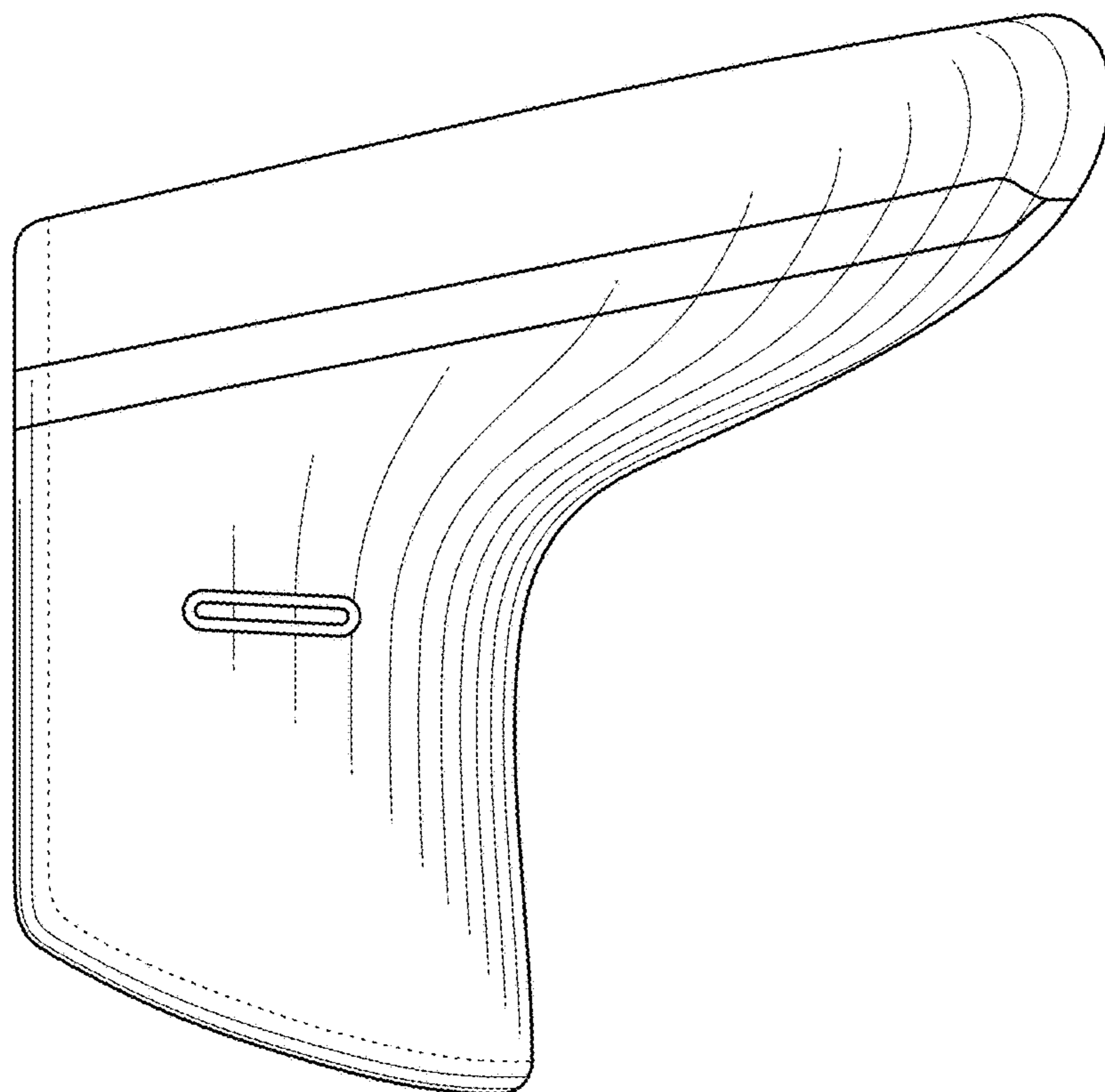


FIG. 4

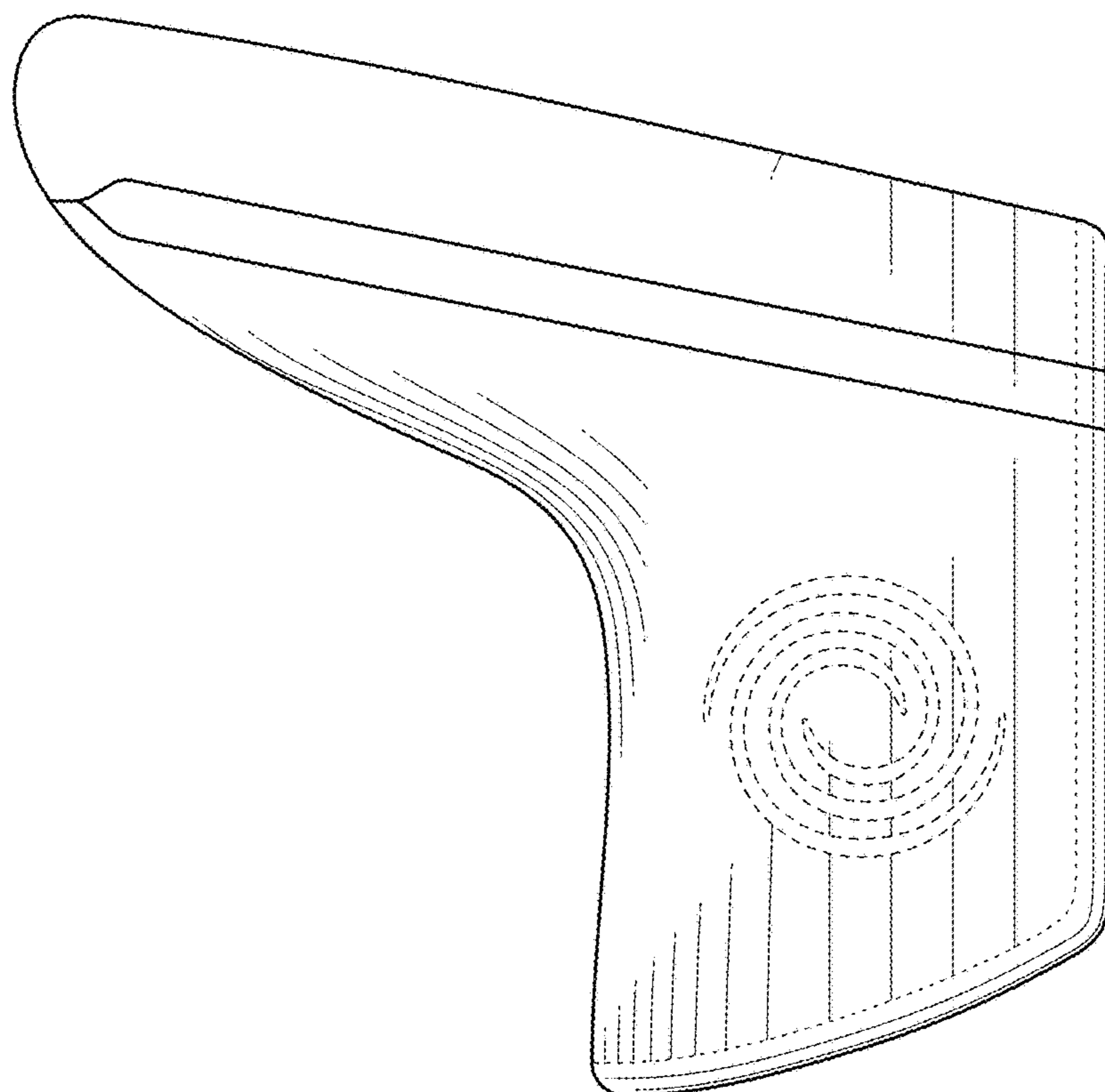


FIG. 5

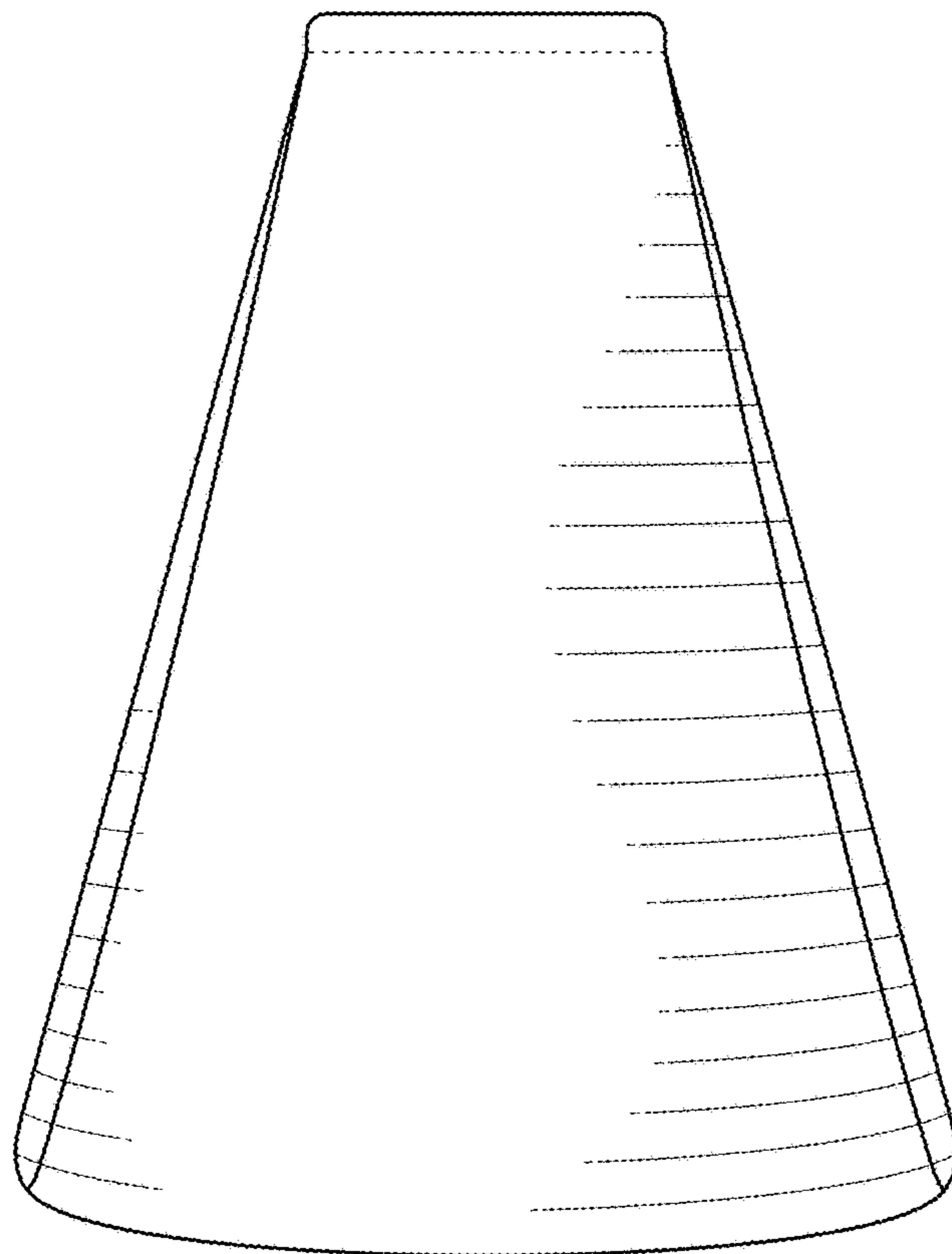


FIG. 6

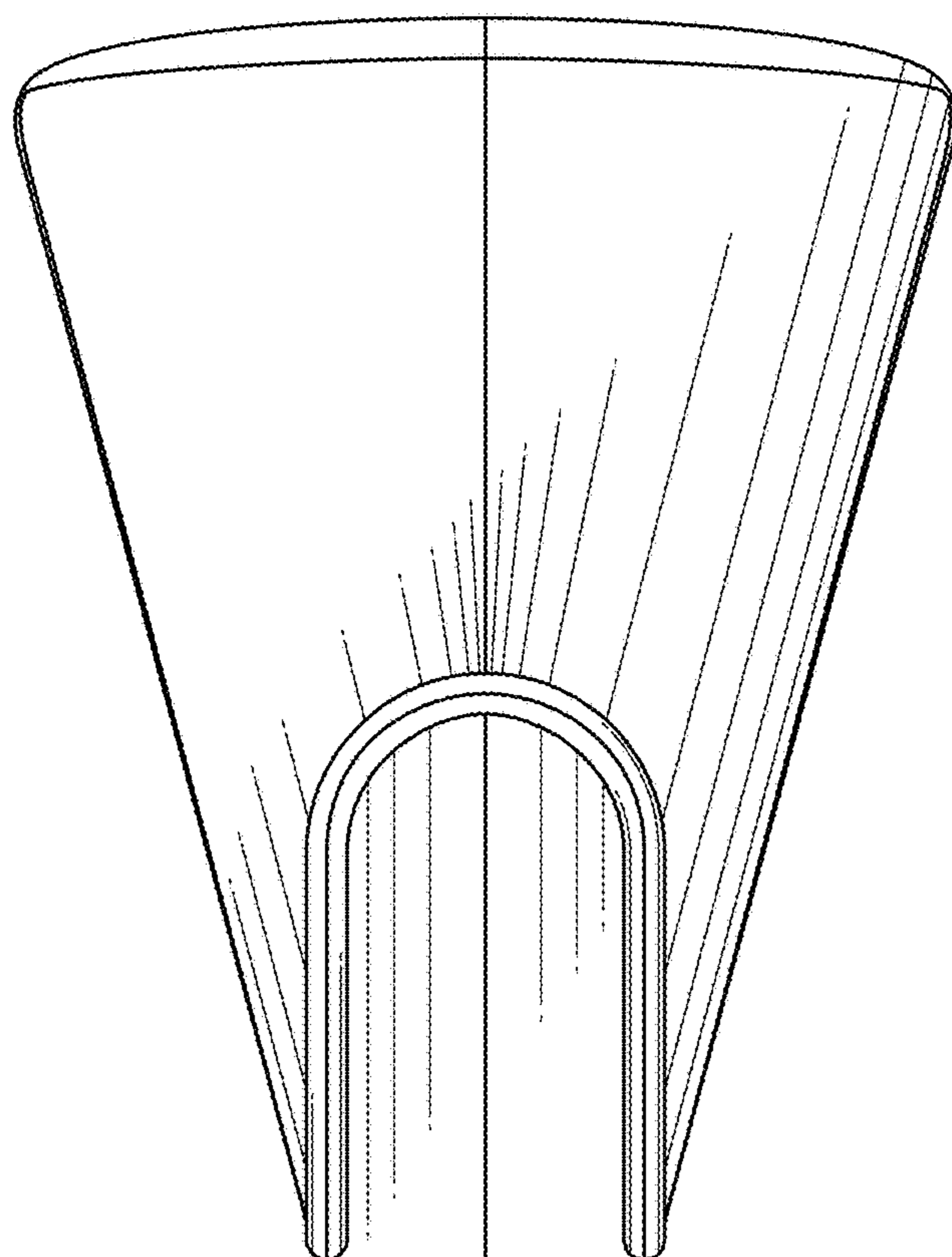


FIG. 7