



US00D790641S

(12) **United States Design Patent**
Rollinson et al.

(10) **Patent No.:** **US D790,641 S**
(45) **Date of Patent:** **** Jun. 27, 2017**

- (54) **GOLF CLUB HEAD**
- (71) Applicant: **CALLAWAY GOLF COMPANY**,
Carlsbad, CA (US)
- (72) Inventors: **Augustin W. Rollinson**, Carlsbad, CA
(US); **Larry Tang**, Carlsbad, CA (US)
- (73) Assignee: **Callaway Golf Company**, Carlsbad,
CA (US)
- (**) Term: **15 Years**
- (21) Appl. No.: **29/564,496**
- (22) Filed: **May 13, 2016**
- (51) **LOC (10) Cl.** **21-02**
- (52) **U.S. Cl.**
USPC **D21/752**
- (58) **Field of Classification Search**
USPC D21/733-752
CPC A63B 53/04; A63B 53/0466; A63B
2053/002; A63B 2053/0445; A63B
2053/0433; A63B 2053/0437; A63B
2053/0491; A63B 53/00; A63B 53/047;
A63B 53/0475; A63B 53/0445; A63B
2053/0479; A63B 53/065; A63B 53/0487;
A63B 53/007
See application file for complete search history.

D532,468 S *	11/2006	Hettinger	D21/743
D590,463 S *	4/2009	Hettinger	D21/743
D634,801 S *	3/2011	Rollinson	D21/743
D641,440 S *	7/2011	Hettinger	D21/743
D648,408 S *	11/2011	Teramoto	D21/743
D691,681 S *	10/2013	Hilton	D21/736
D720,024 S *	12/2014	Rollinson	D21/736
D720,411 S *	12/2014	Rollinson	D21/743
D720,412 S *	12/2014	Rollinson	D21/743
D759,172 S *	6/2016	Rollinson	D21/743
D759,173 S *	6/2016	Rollinson	D21/743
D768,247 S *	10/2016	Rollinson	D21/744
D769,995 S *	10/2016	Rollinson	D21/744
D769,996 S *	10/2016	Abbott	D21/744
D779,006 S *	2/2017	Abbott	D21/744
2006/0223646 A1 *	10/2006	Rife	A63B 53/0487 473/251

* cited by examiner

Primary Examiner — Mitchell Siegel
(74) *Attorney, Agent, or Firm* — Rebecca Hanovice;
Michael Catania; Sonia Lari

(57) **CLAIM**

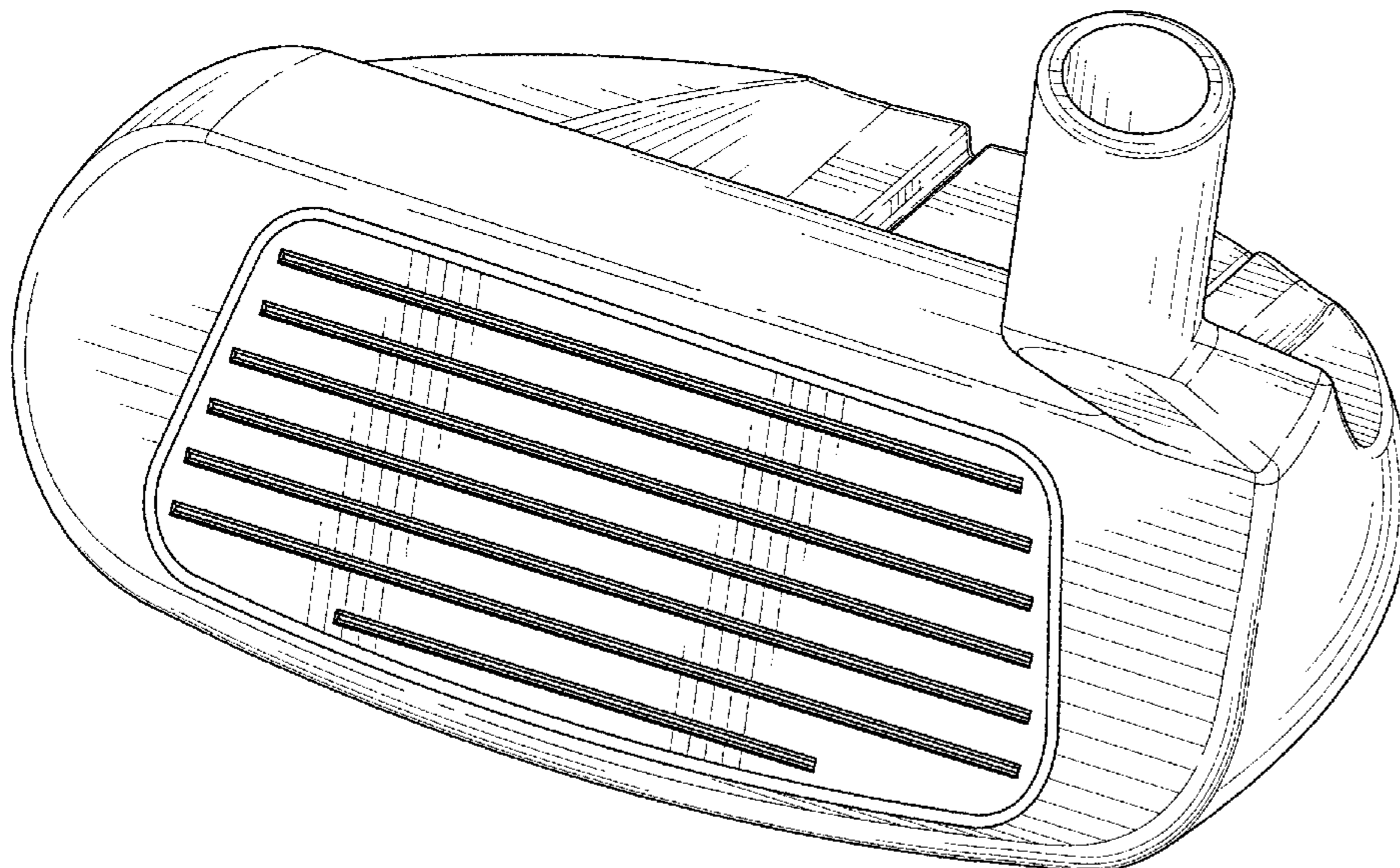
The ornamental design for a golf club head, as shown and described.

DESCRIPTION

FIG. 1 is a front perspective view of the golf club head as claimed herein;
FIG. 2 is a front elevational view thereof;
FIG. 3 is a rear elevational view thereof;
FIG. 4 is a left side elevational view thereof;
FIG. 5 is a right side elevational view thereof;
FIG. 6 is a top elevational view thereof; and,
FIG. 7 is a bottom elevational view thereof.
The broken lines are included for the purpose of illustration and form no part of the claimed design.

1 Claim, 4 Drawing Sheets

- (56) **References Cited**
U.S. PATENT DOCUMENTS
D396,083 S * 7/1998 Sheets D21/742
D399,911 S * 10/1998 Nicolette D21/736
D400,610 S * 11/1998 Cameron D21/742
D428,457 S * 7/2000 Rollinson D21/743
6,273,831 B1 * 8/2001 Dewanjee A63B 53/04
273/DIG. 8



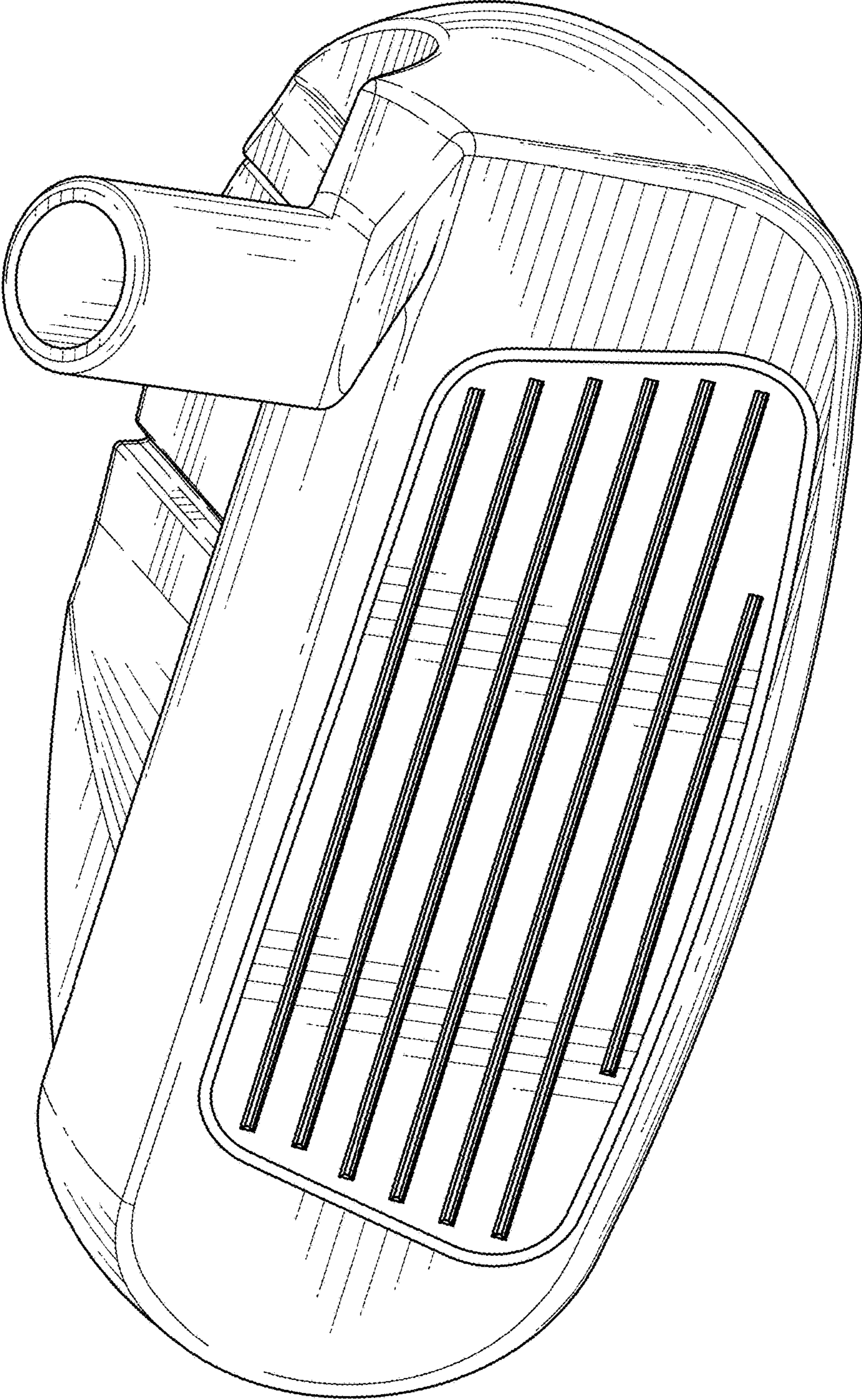


FIG. 1

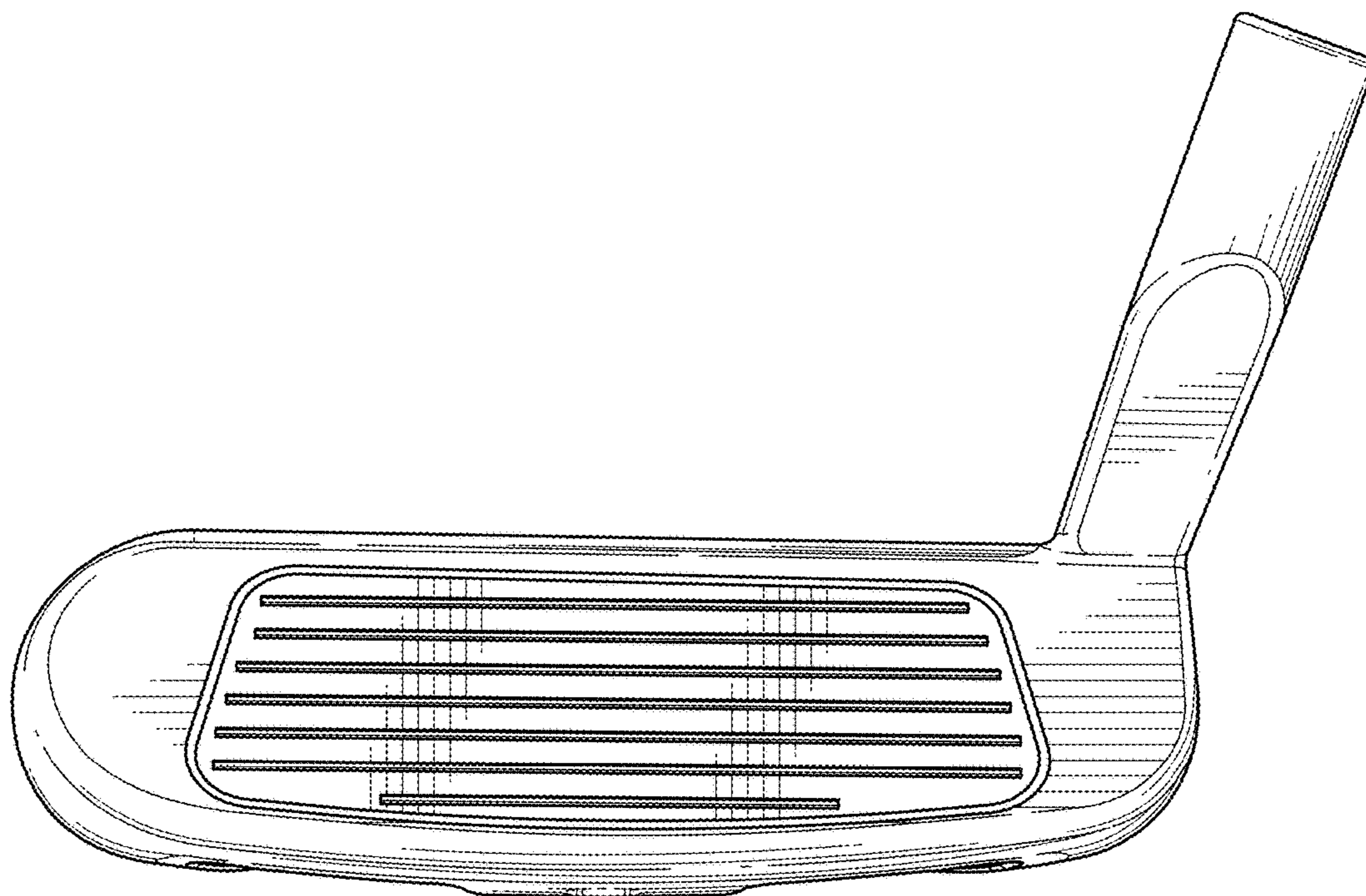


FIG. 2

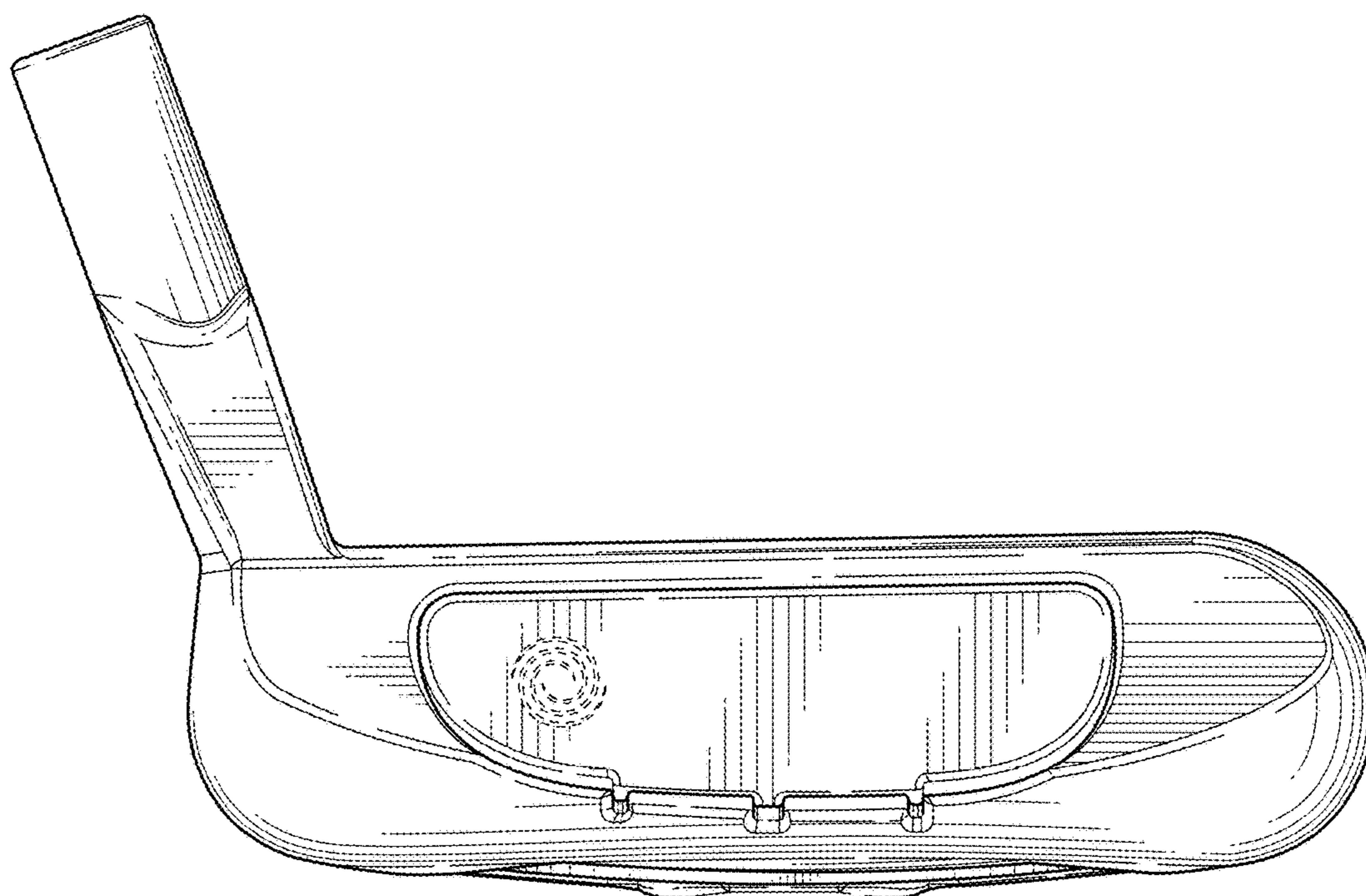


FIG. 3

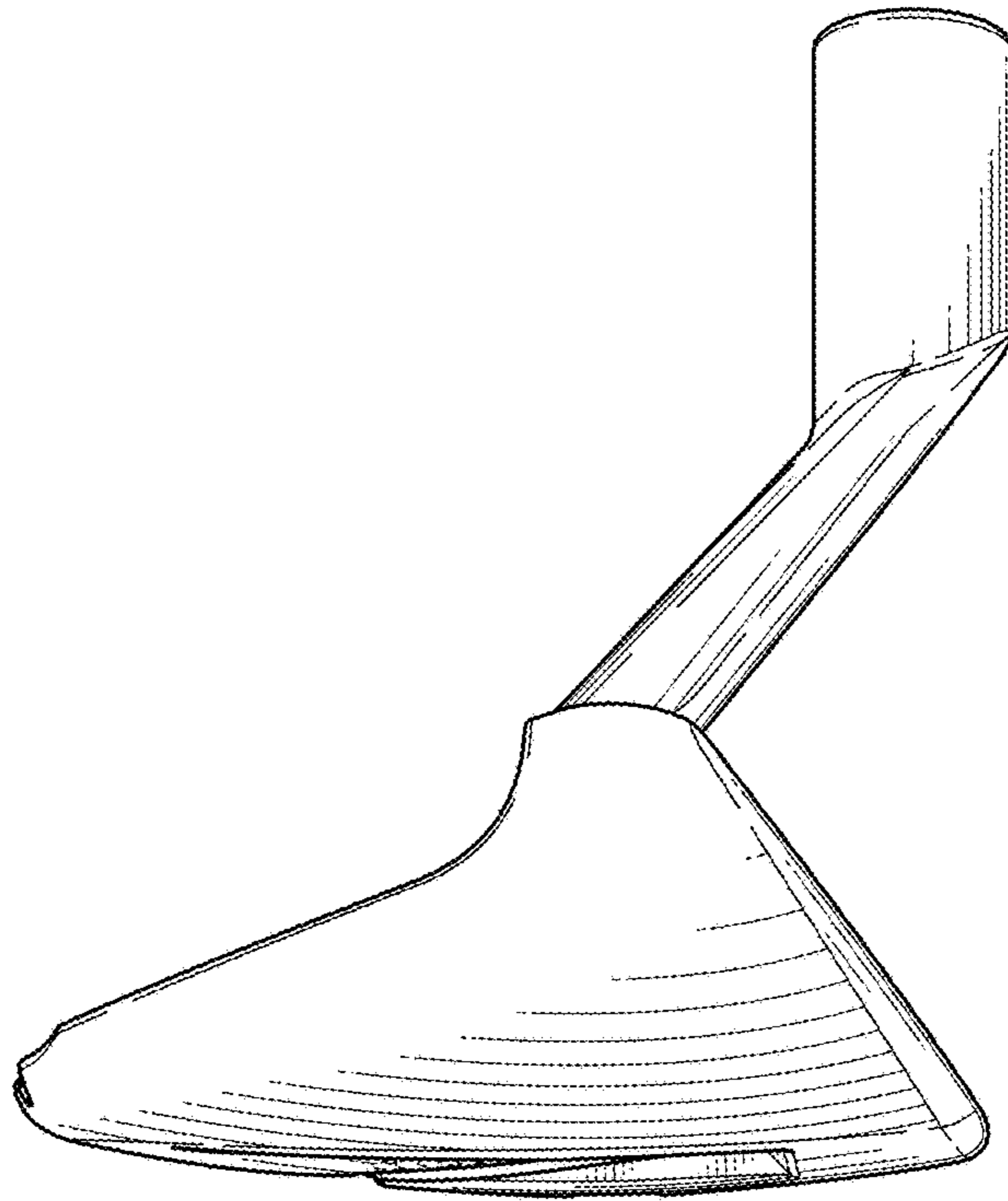


FIG. 4

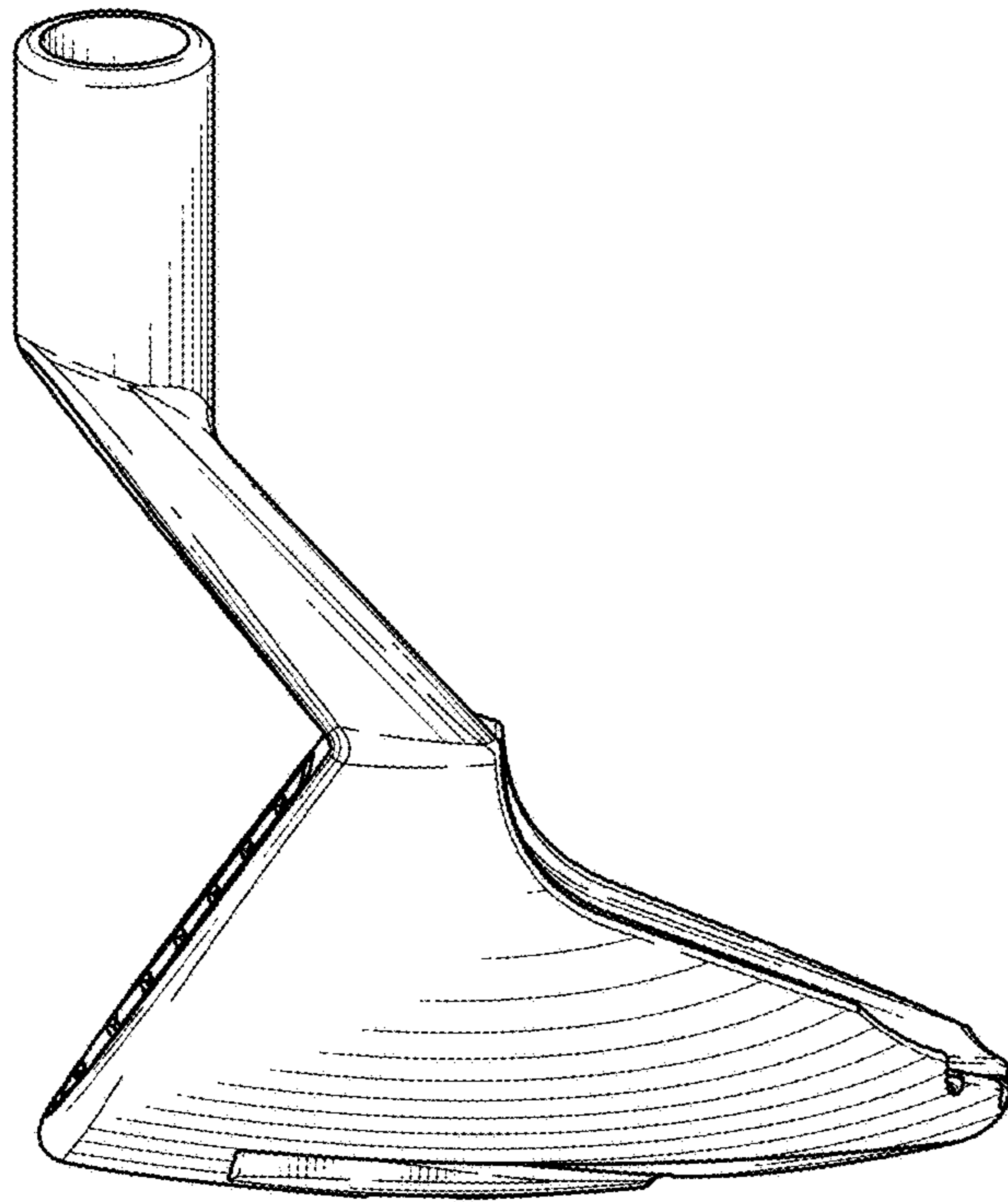


FIG. 5

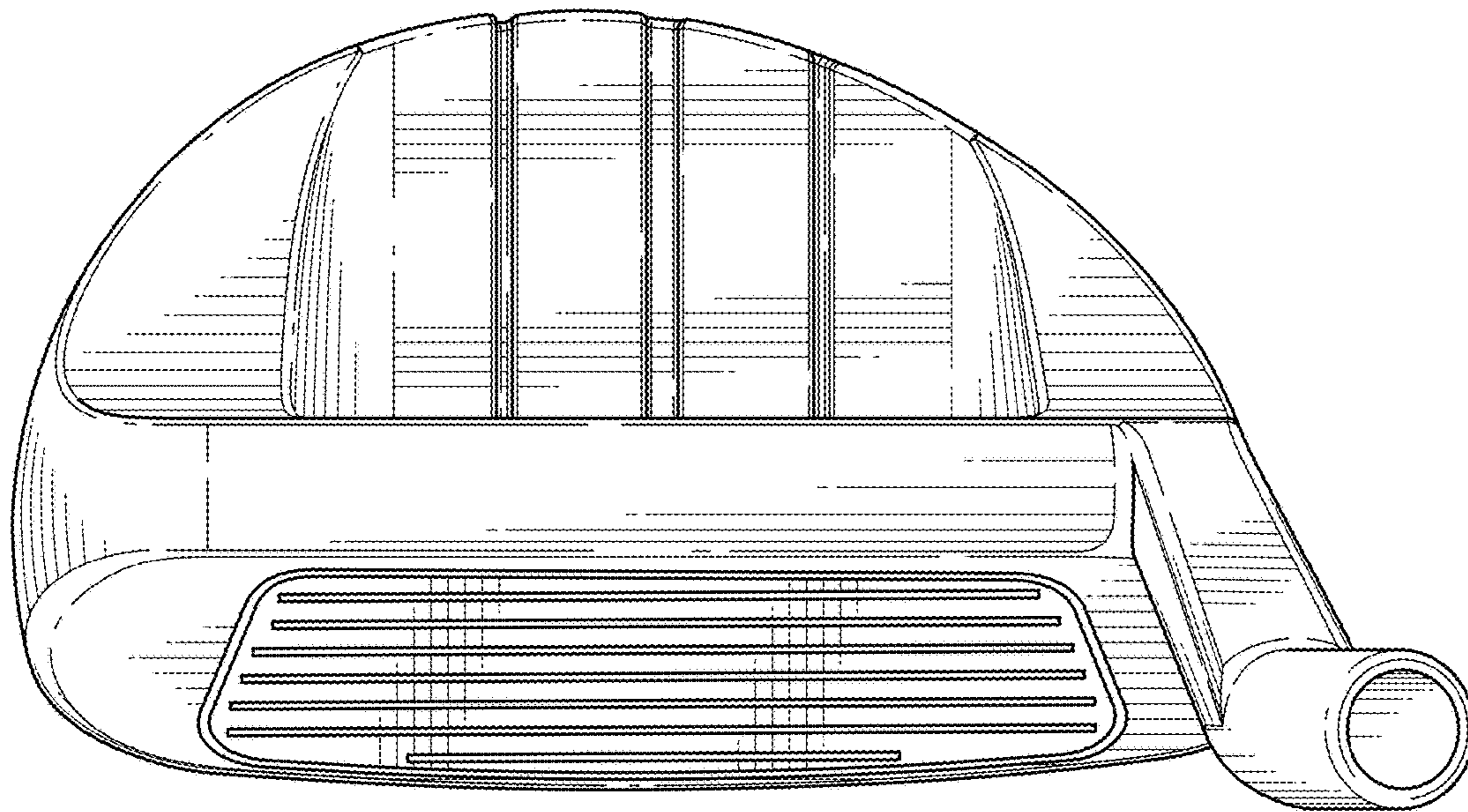


FIG. 6

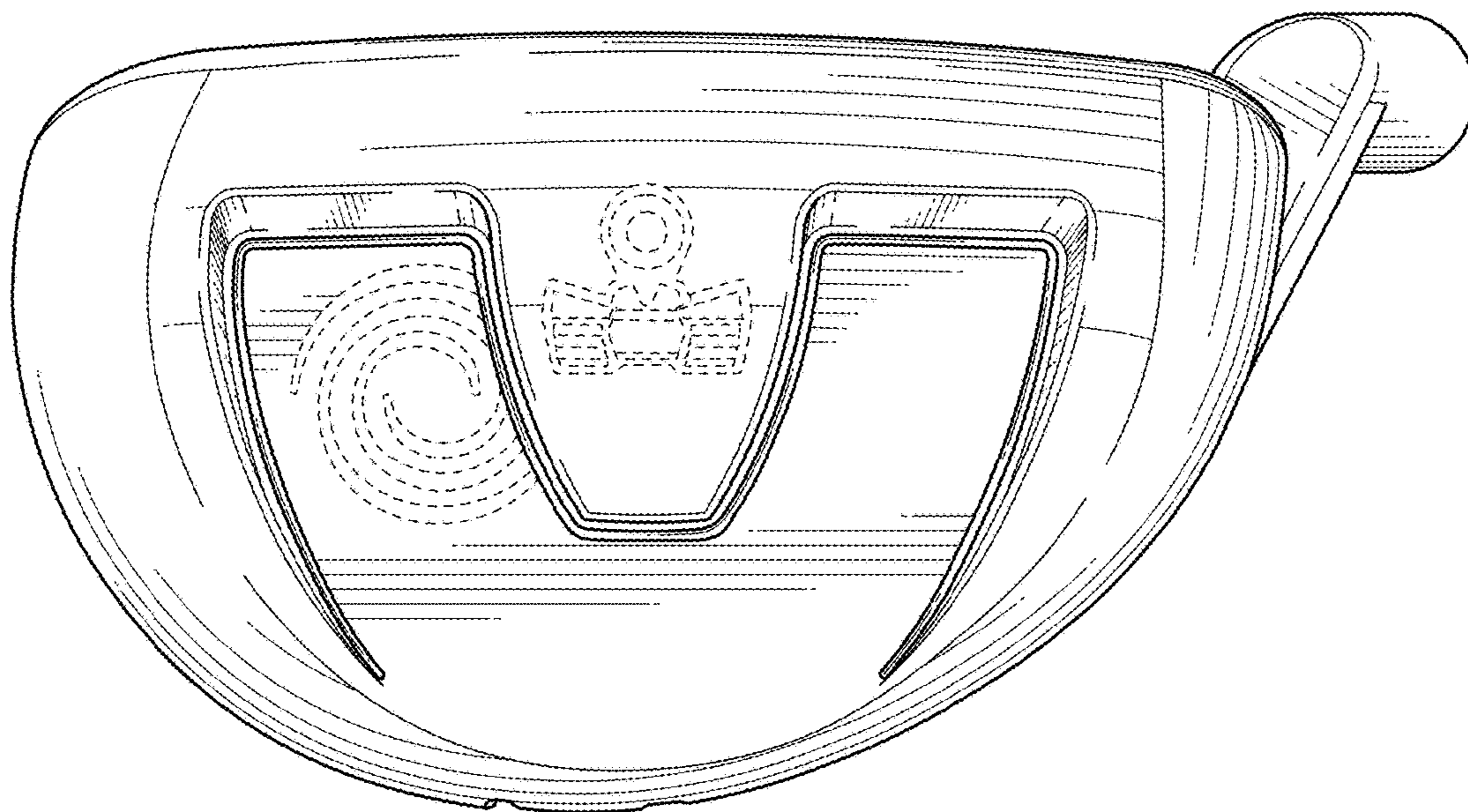


FIG. 7