

US00D790640S

(12) **United States Design Patent** (10) **Patent No.:** **US D790,640 S**
Chak (45) **Date of Patent:** **** Jun. 27, 2017**

(54) **EXERCISE PEDESTAL**

(71) Applicant: **Performance Health Systems, LLC**,
Northbrook, IL (US)

(72) Inventor: **Eric Chak**, Foshan (CN)

(73) Assignee: **Performance Health Systems, LLC**,
Northbrook, IL (US)

(**) Term: **15 Years**

(21) Appl. No.: **29/546,974**

(22) Filed: **Nov. 30, 2015**

(30) **Foreign Application Priority Data**

Jun. 4, 2015 (CN) 2015 3 0181725
Jun. 4, 2015 (CN) 2015 3 0181926
Nov. 10, 2015 (EP) 002854505-0001
Nov. 10, 2015 (EP) 002854505-0002

(51) **LOC (10) Cl.** **21-02**

(52) **U.S. Cl.**
USPC **D21/671**

(58) **Field of Classification Search**
USPC D21/797, 694, 671, 686, 698, 699, 680,
D21/685, 692, 687, 689, 318, 688, 412,
D21/333, 683, 798; D8/330, 1, 16;
482/142, 52, 51, 30, 74, 91, 140, 25, 94,
482/122; D19/37, 64, 59; D9/624, 629;
D14/417, 496; 15/104.93, 105, 118,
15/229.11, 208; D25/139, 155, 62, 65;
D6/349, 582, 598, 335, 350, 583, 588,
D6/585; 99/472, 467; D34/23, 1;
297/461, 223, 423.41; 269/289 R, 13, 15,
269/14; 206/501, 256, 272.8, 308.2, 330,
206/60, 213; 248/678; D7/698, 699,
D7/629, 388; 220/4.26; 217/3 R;
D24/190, 191, 192, 167; D17/99;
D3/294, 282, 905; D30/118; 182/33;
D99/17, 1; 451/534, 539; 446/117, 69;
473/278

CPC A63B 22/001; A63B 22/0664; A63B
23/0211; A63B 21/225; A63B 2022/067;
A63B 21/4035; A63B 2210/50; A63B
22/0015; A63B 2208/0204; A63B
21/4047; A63B 2208/0233; A63B
21/0552; A63B 22/0056

See application file for complete search history.

(56) **References Cited**

U.S. PATENT DOCUMENTS

D330,234 S * 10/1992 Saunders D21/671
D355,458 S * 2/1995 Chen D21/673
D500,100 S * 12/2004 van der Meer D21/662
D519,172 S * 4/2006 Penat D21/671
D561,273 S * 2/2008 Wu D21/662
D565,365 S * 4/2008 Bizzell D7/698
D570,348 S * 6/2008 Turpault D14/385

(Continued)

Primary Examiner — Robert M Spear

Assistant Examiner — Ryan Harvey

(74) *Attorney, Agent, or Firm* — Perry Hoffman

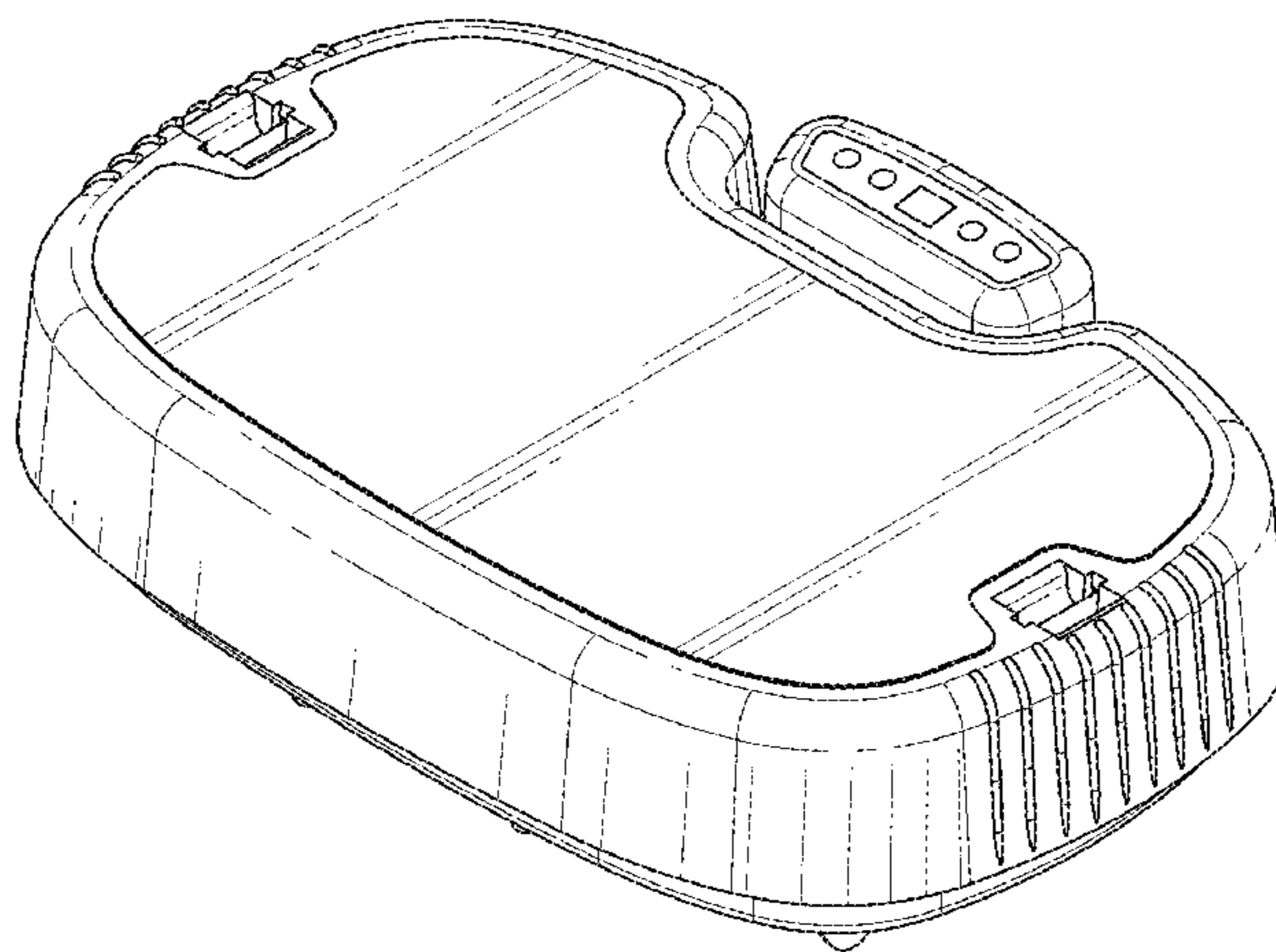
(57) **CLAIM**

The ornamental design for an exercise pedestal, as shown and described.

DESCRIPTION

FIG. 1 is a perspective view illustrating an exercise pedestal of the instant invention;
FIG. 2 is a top plan view thereof;
FIG. 3 is a bottom view thereof;
FIG. 4 is a front elevational view thereof;
FIG. 5 is a rear elevational view thereof;
FIG. 6 is a left side elevational view thereof; and,
FIG. 7 is a right side elevational view thereof.
The broken lines shown are included for the purpose of illustrating portions of the article that form no part of the claimed design.

1 Claim, 5 Drawing Sheets



(56)

References Cited

U.S. PATENT DOCUMENTS

D571,416 S *	6/2008	Wu	D21/662	D651,673 S *	1/2012	Kulzer	D21/686
D574,900 S *	8/2008	Meile Marcel			D659,142 S	5/2012	McQueen et al.		
		Tammainga	D21/662	D669,079 S	10/2012	Hansen		
D585,505 S *	1/2009	Wu	D21/662	D676,446 S	2/2013	McQueen et al.		
D586,867 S *	2/2009	Wu	D21/662	D680,599 S *	4/2013	Orenstein	D21/671
D591,366 S *	4/2009	Decommer	D21/662	D681,138 S *	4/2013	Hodgkins	D21/671
D596,247 S *	7/2009	Wu	D21/671	D681,750 S *	5/2013	Meyer-Hayoz	D21/686
D599,862 S *	9/2009	Decommer	D21/662	D734,751 S	7/2015	Oberpriller et al.		
D601,211 S *	9/2009	Wu	D21/686	D737,908 S *	9/2015	Kubitz	D21/686
D602,540 S *	10/2009	Minter	D21/662	D741,901 S	10/2015	Gardner et al.		
D626,185 S *	10/2010	Wu	D21/662	D753,777 S *	4/2016	Radtke	D21/686
D627,012 S *	11/2010	Wu	D21/662	2007/0239088 A1 *	10/2007	Wu	A61H 1/005
D633,580 S *	3/2011	Wu	D21/662					601/49
7,922,624 B1 *	4/2011	Fairhurst	A63B 21/0552	2008/0179976 A1 *	7/2008	Wu	A61H 1/005
				482/52					310/80
D638,076 S *	5/2011	Minter	D21/662	2014/0087930 A1 *	3/2014	Burns	A63B 23/02
D642,178 S	7/2011	McQueen							482/142
					2014/0311361 A1 *	10/2014	Wangler	A47J 47/005
									99/472

* cited by examiner

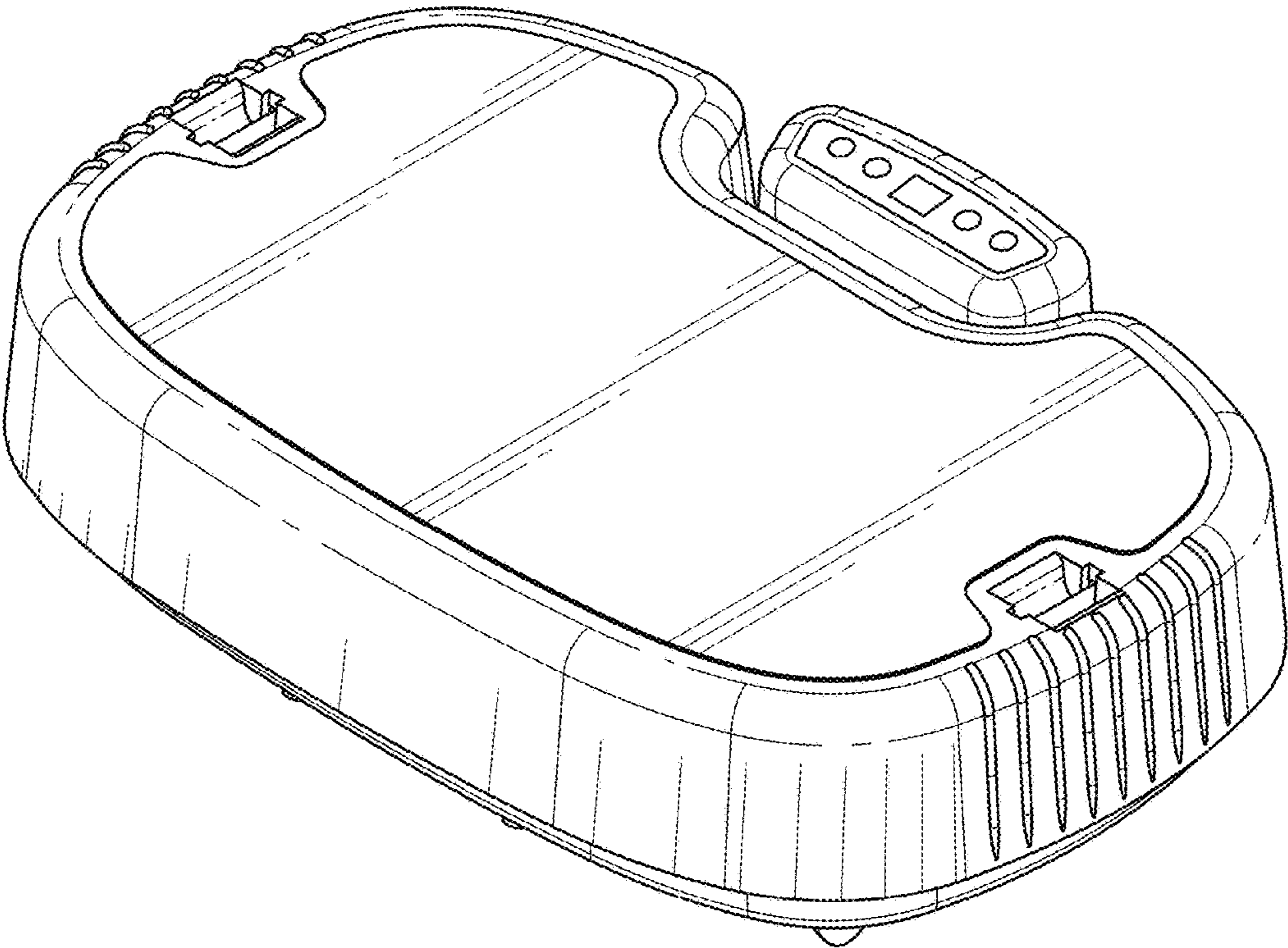


FIG. 1

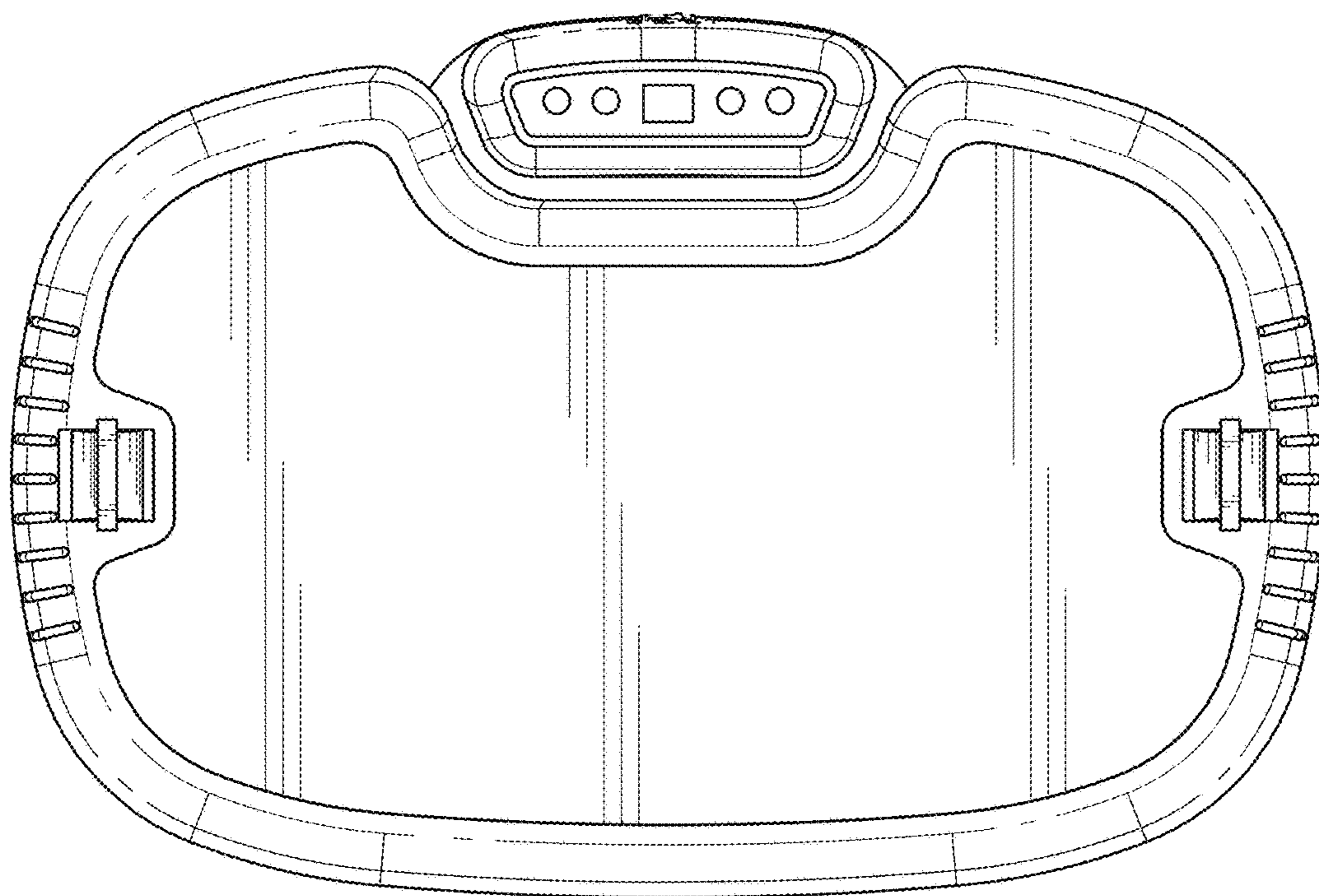


FIG. 2

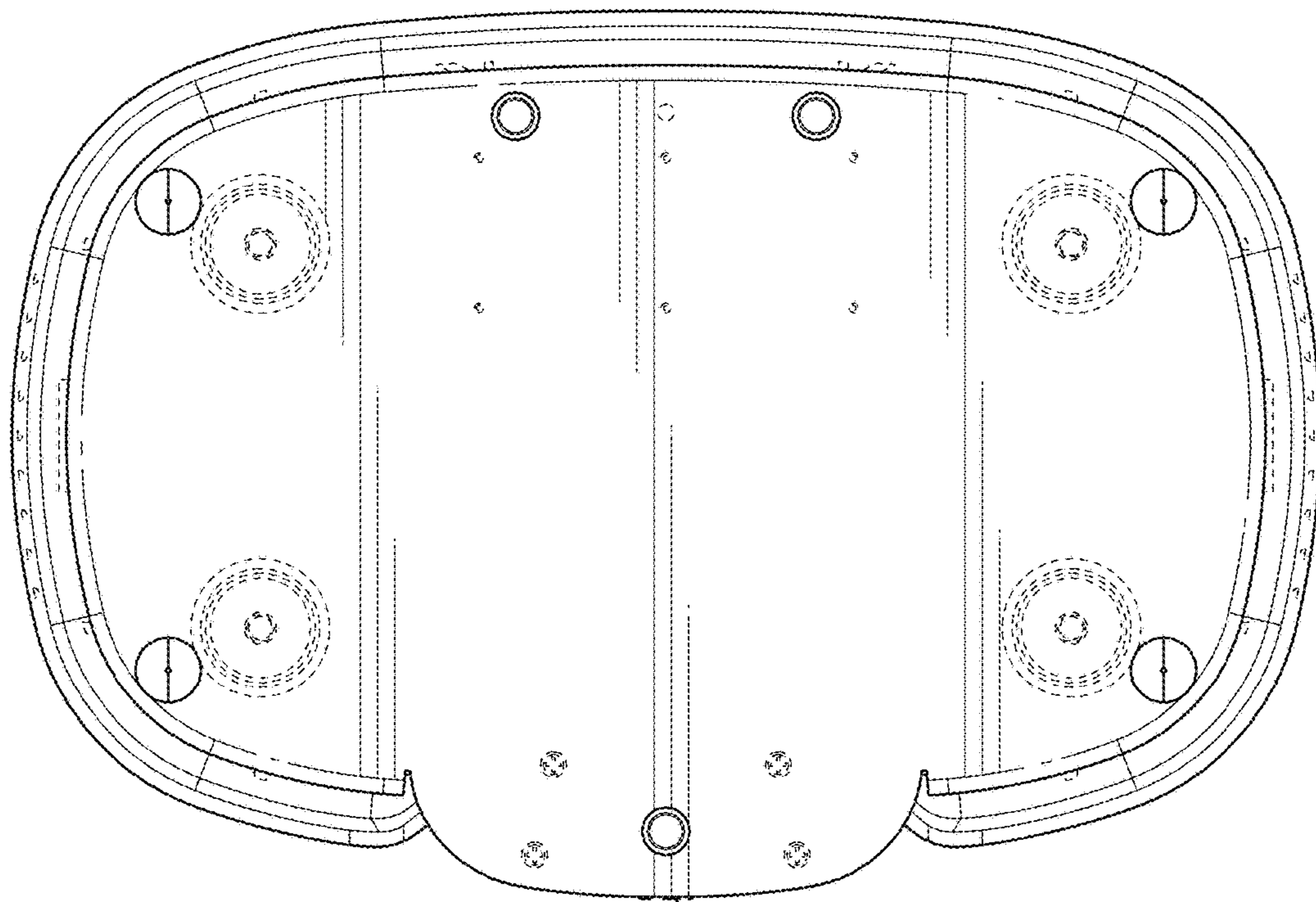


FIG. 3

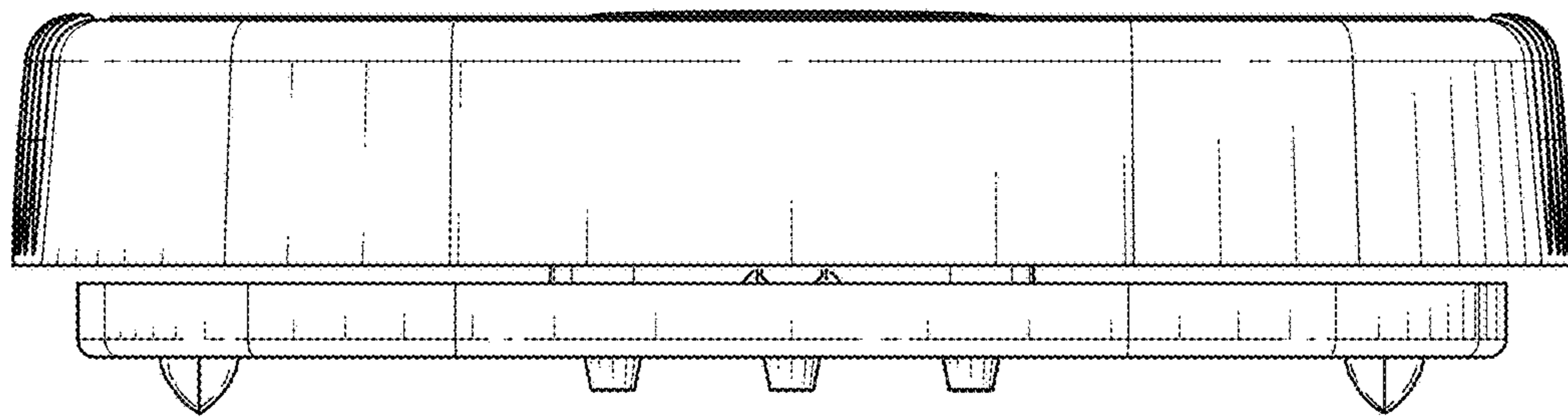


FIG. 4

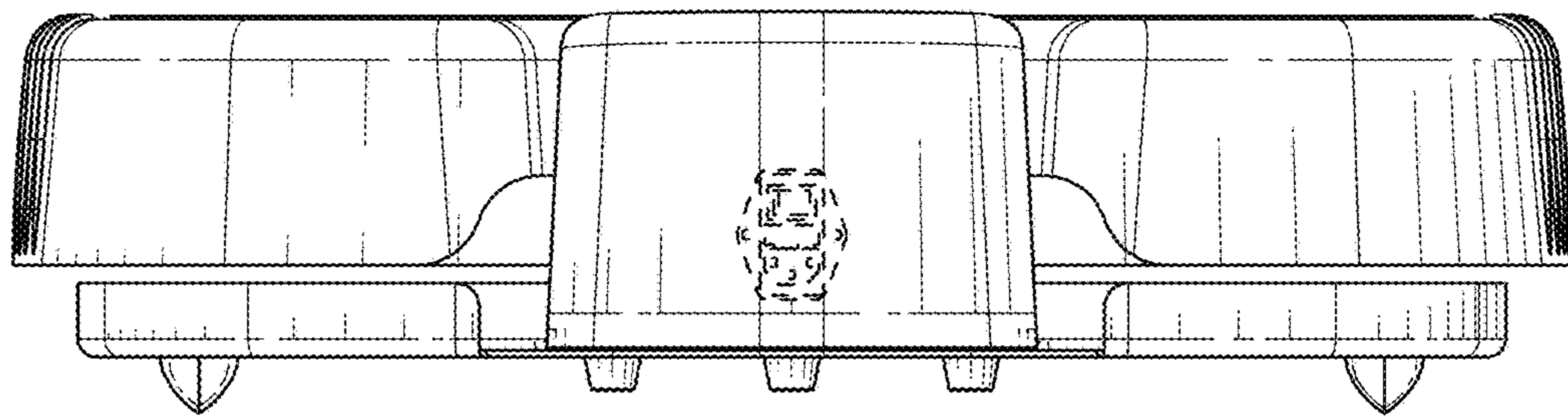


FIG. 5

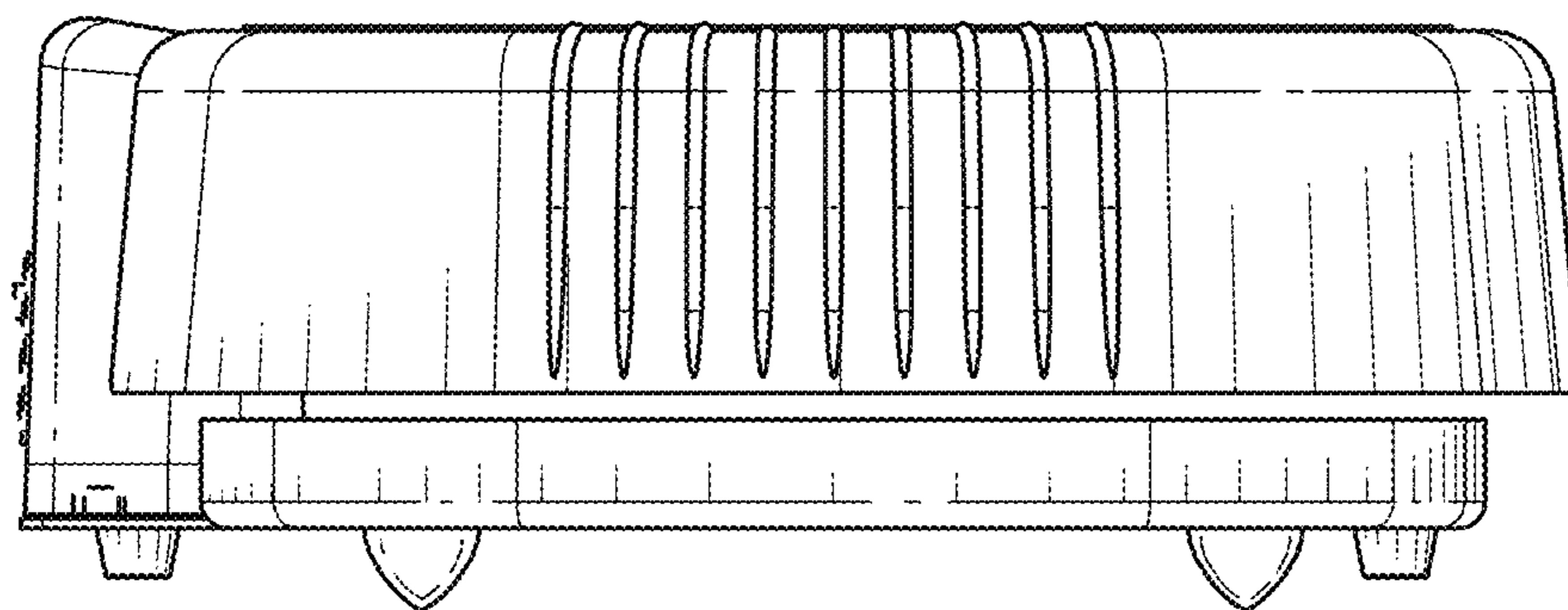


FIG. 6

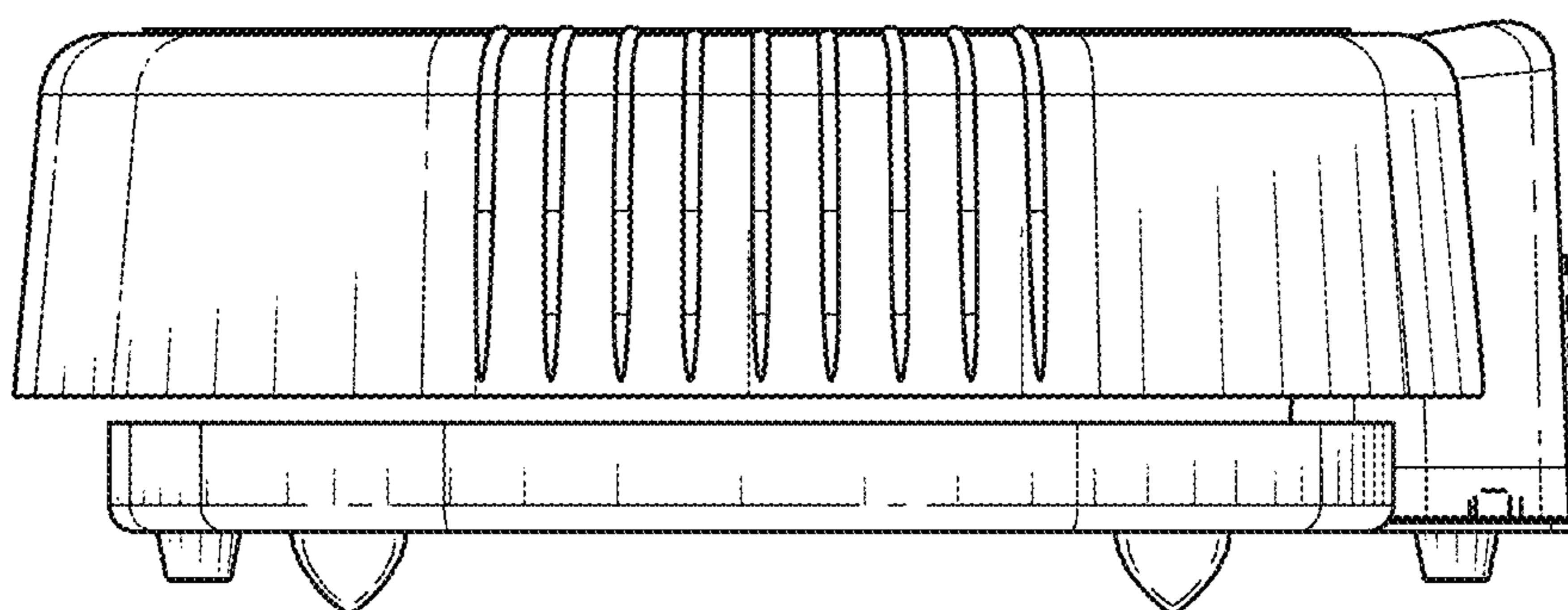


FIG. 7