



US00D790639S

(12) **United States Design Patent**
Yu

(10) **Patent No.:** **US D790,639 S**
(45) **Date of Patent:** **** Jun. 27, 2017**

- (54) **TOY GUN**
- (71) Applicant: **OXGORD INCORPORATED**, Los Angeles, CA (US)
- (72) Inventor: **Haoxiang Yu**, Ningbo (CN)
- (73) Assignee: **OXGORD INCORPORATED**, Los Angeles, CA (US)
- (**) Term: **15 Years**
- (21) Appl. No.: **29/558,617**
- (22) Filed: **Mar. 18, 2016**
- (51) **LOC (10) Cl.** **21-01**
- (52) **U.S. Cl.**
USPC **D21/573**
- (58) **Field of Classification Search**
USPC D21/333, 401, 461, 567, 568, 570–575;
D14/418; D22/100, 101, 103, 104, 105,
D22/108–110; 124/16, 26, 27, 28, 29,
124/54, 73–77; 222/78, 79; 42/54, 57,
42/58, 71.01, 72, 73, 74, 75.03, 90;
446/23, 182, 192, 401, 403, 405–407,
446/473, 475
CPC F41C 23/00; F41C 23/02; F41C 23/04;
F41C 23/06; F41C 23/08; F41C 23/10;
F41C 23/12; F41C 23/14; F41C 23/16;
F41C 23/18; F41C 23/20; F41C 23/22;
F41C 7/02; F41C 7/04; F41C 7/06; F41C
7/11; F41C 7/12
See application file for complete search history.

- 4,744,517 A * 5/1988 Iwamoto B05B 3/02
239/263
- 4,932,670 A * 6/1990 Brown A63B 65/122
273/349
- 5,115,794 A * 5/1992 Moormann F41B 11/641
124/65
- D351,007 S * 9/1994 Bednar D21/572
- D355,000 S * 1/1995 Arad D21/570
- 5,377,656 A * 1/1995 Lewinski F41B 9/0037
124/56
- D425,145 S * 5/2000 Bao D21/572
- D588,212 S * 3/2009 Stadlbauer D21/572
- 7,938,110 B2 * 5/2011 Udwin F41A 21/32
124/65
- 8,393,299 B1 3/2013 Bernat
- D698,871 S * 2/2014 Cummings D21/570
- D718,824 S * 12/2014 Huang D21/570

* cited by examiner

Primary Examiner — Cynthia M Chin

(74) *Attorney, Agent, or Firm* — Fulwider Patton LLP;
Jacob S. Zodieru

(57) **CLAIM**

The ornamental design for a toy gun, as shown and described.

DESCRIPTION

FIG. 1 is a right side perspective view of a toy gun showing my new design;
 FIG. 2 is a right side elevational view thereof;
 FIG. 3 is a left side elevational view thereof;
 FIG. 4 is a top plan view thereof;
 FIG. 5 is a bottom plan view thereof;
 FIG. 6 is a front side elevational view thereof; and,
 FIG. 7 is a rear side elevational view thereof.
 The features shown in broken lines within the barrel of the toy gun illustrate ornamentation and/or features that form no part of the claimed design.

1 Claim, 5 Drawing Sheets

(56) **References Cited**

U.S. PATENT DOCUMENTS

- D211,653 S * 7/1968 Mattingly D21/574
- D265,221 S * 6/1982 Hardin D21/574

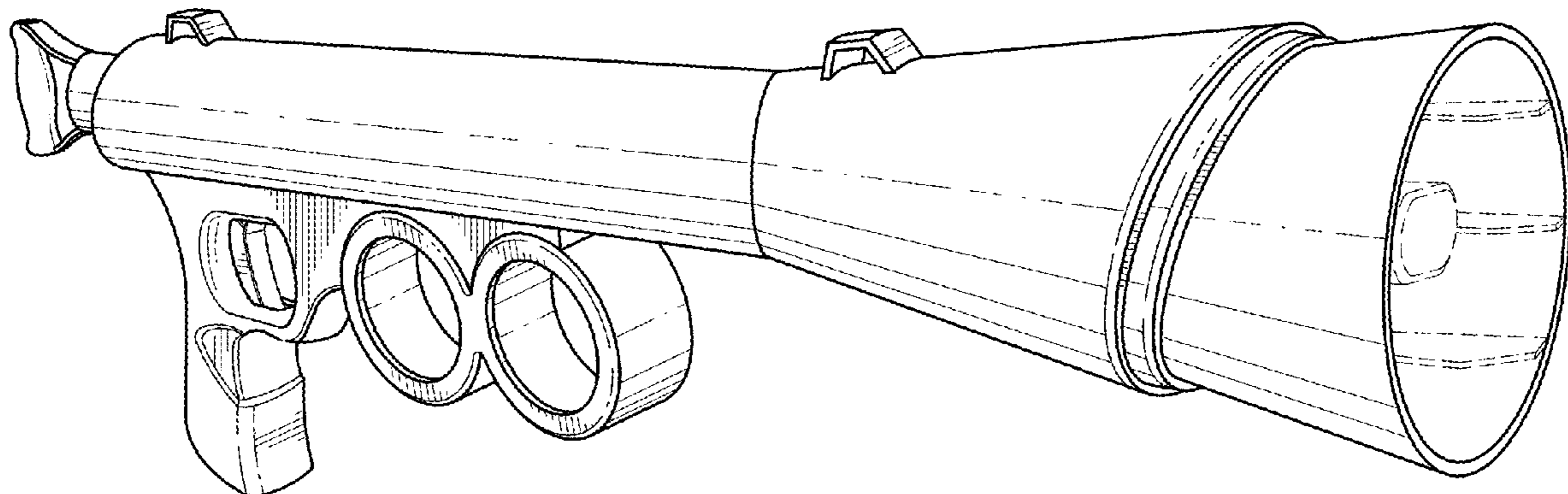
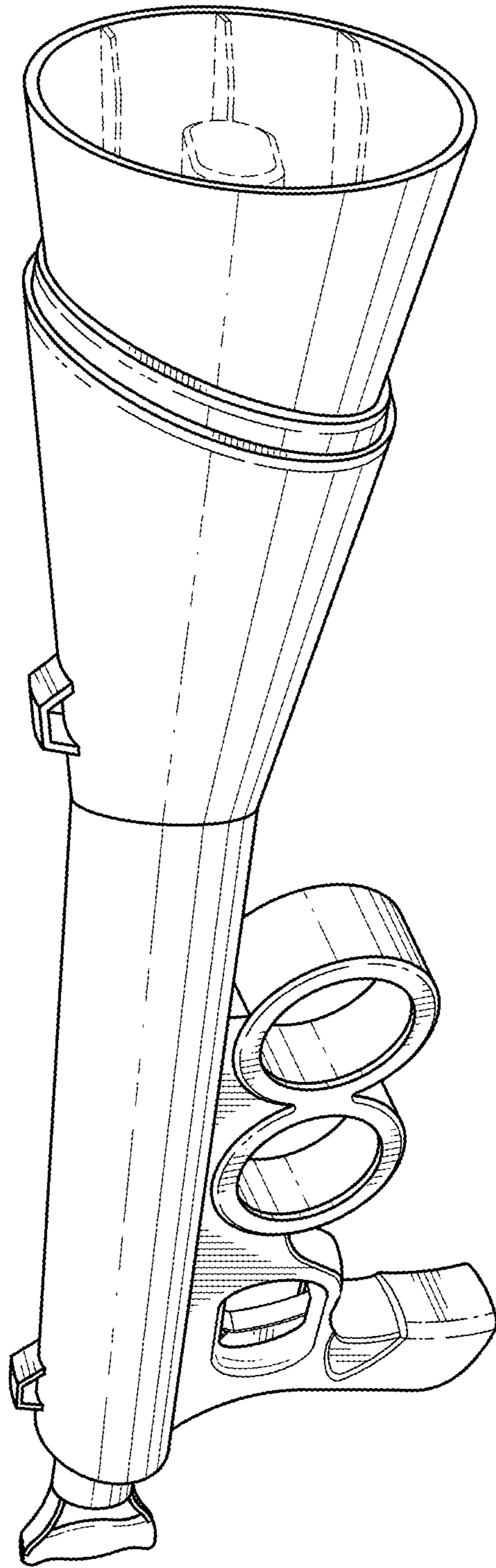


FIG. 1



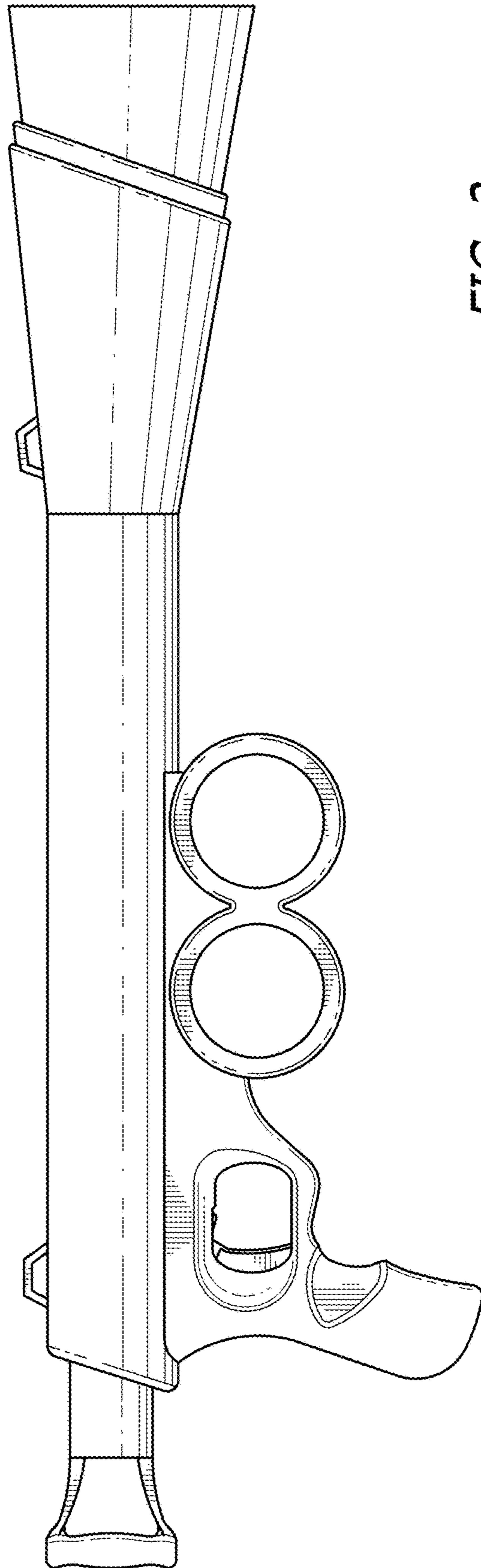


FIG. 2

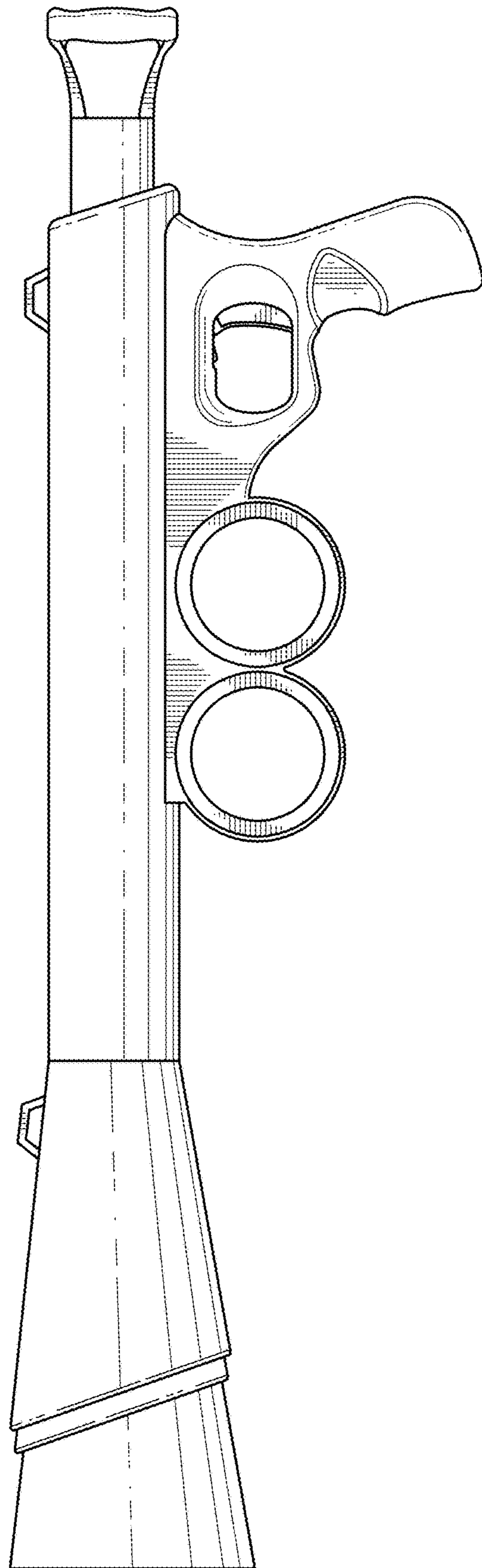


FIG. 3

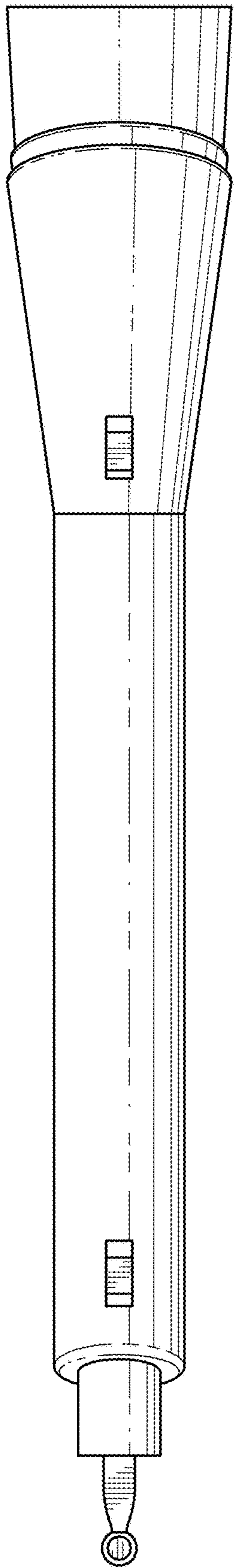


FIG. 4

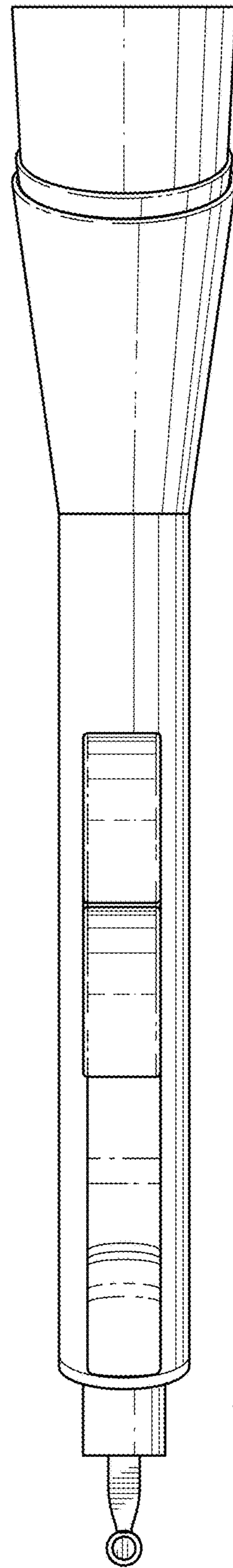


FIG. 5

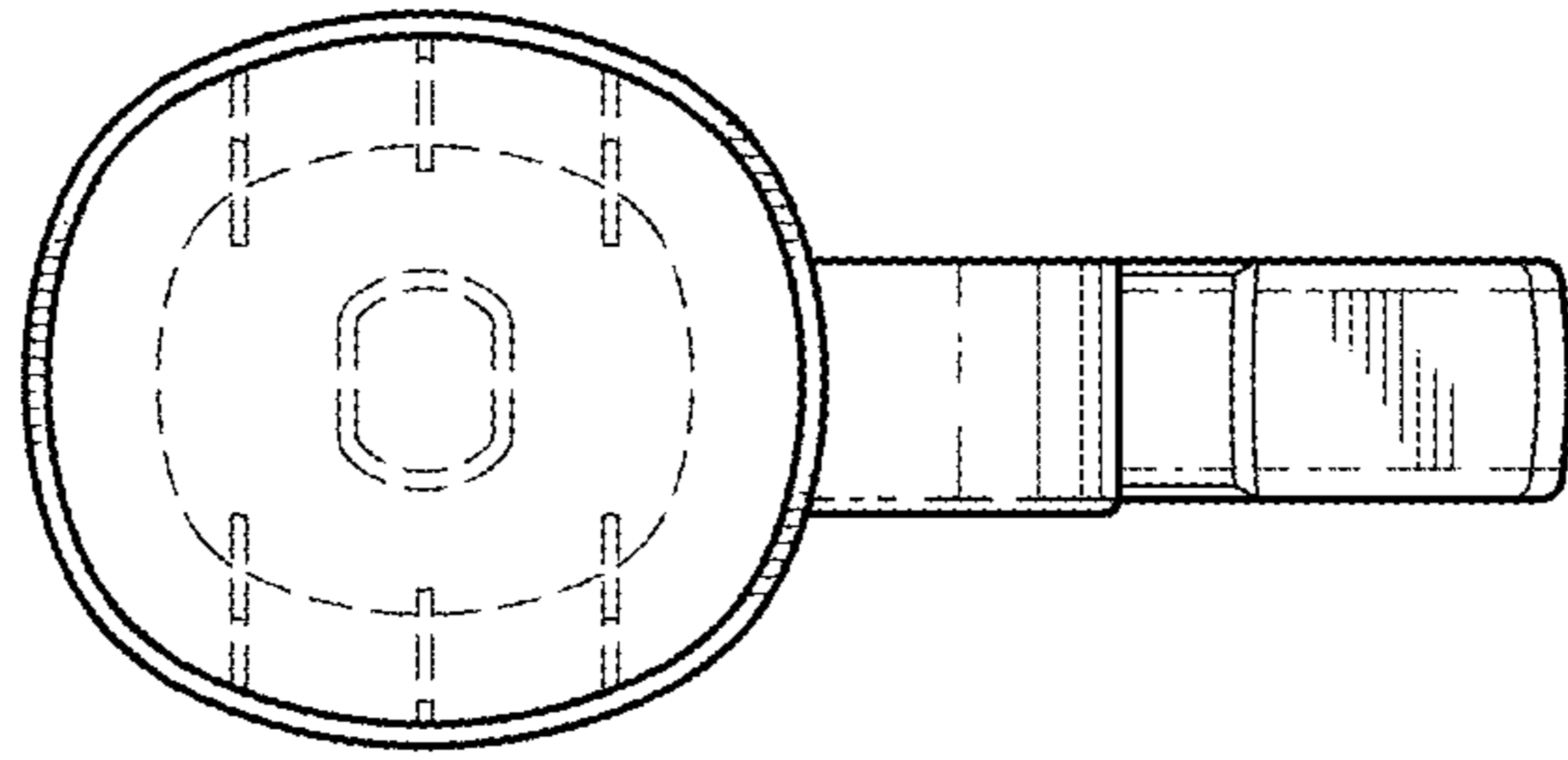


FIG. 7

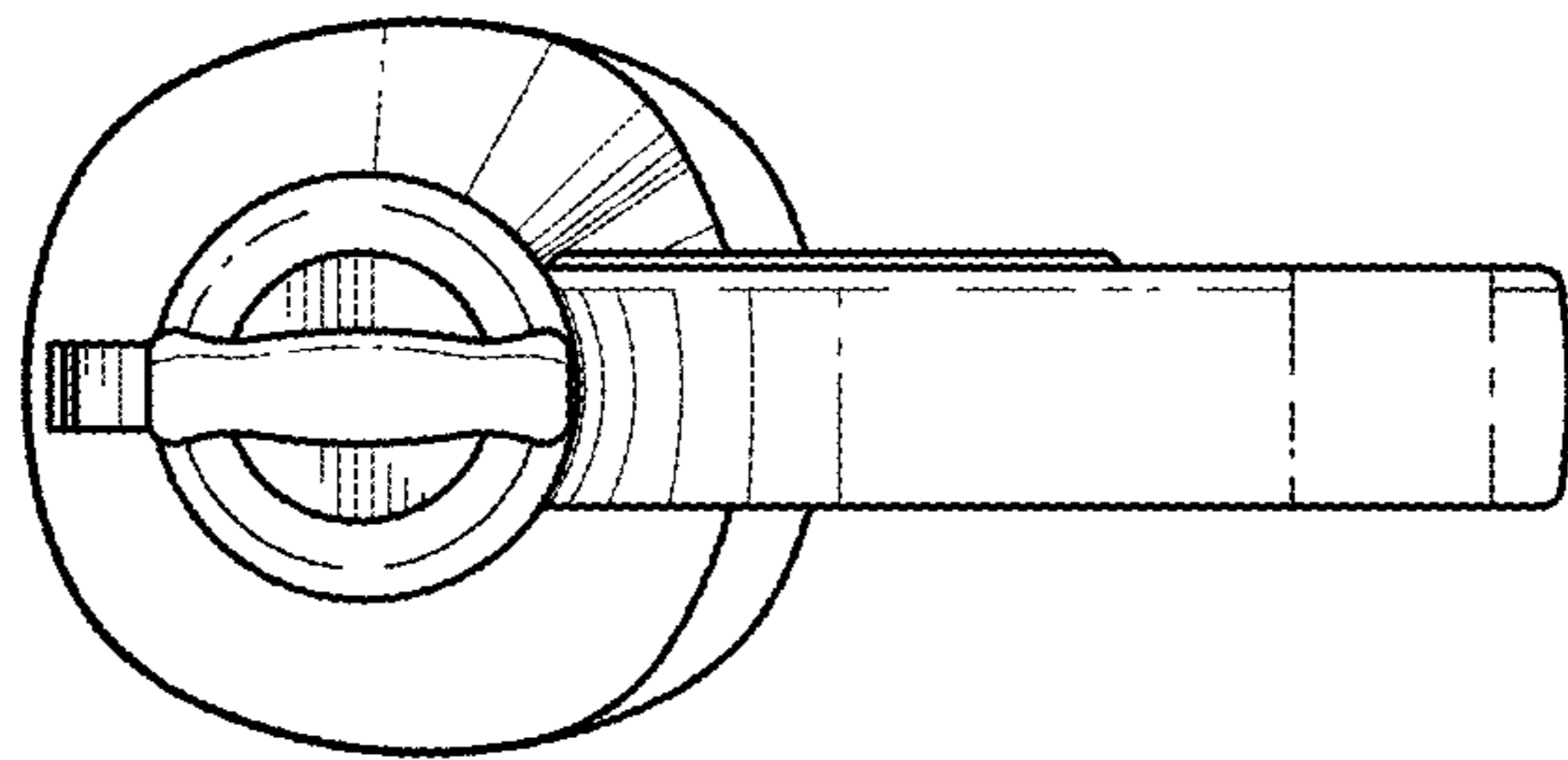


FIG. 6